



US00D418845S

United States Patent [19] Jackovin

[11] Patent Number: **Des. 418,845**

[45] Date of Patent: **** Jan. 11, 2000**

[54] **SIDE-BY-SIDE REFRIGERATOR**

[75] Inventor: **Gary B. Jackovin**, Ankeny, Iowa

[73] Assignee: **Maytag Corporation**, Newton, Iowa

[**] Term: **14 Years**

[21] Appl. No.: **29/092,725**

[22] Filed: **Aug. 25, 1998**

[51] **LOC (7) Cl.** **15-07**

[52] **U.S. Cl.** **D15/85**

[58] **Field of Search** D15/79, 81-91;
62/293, 339, 373, 440, 441, 457; 312/116,
138.1, 139.1, 236, 405

[56] **References Cited**

U.S. PATENT DOCUMENTS

- D. 264,752 6/1982 Leotta D15/79
- D. 379,095 5/1997 Sparks D15/85

- 5,568,712 10/1996 Jenkins et al. 312/405
- 5,588,731 12/1996 Schmidt et al. 312/405
- 5,707,518 1/1998 Coates et al. 62/339

Primary Examiner—Sandra L. Morris
Attorney, Agent, or Firm—Everett G. Diederiks, Jr.

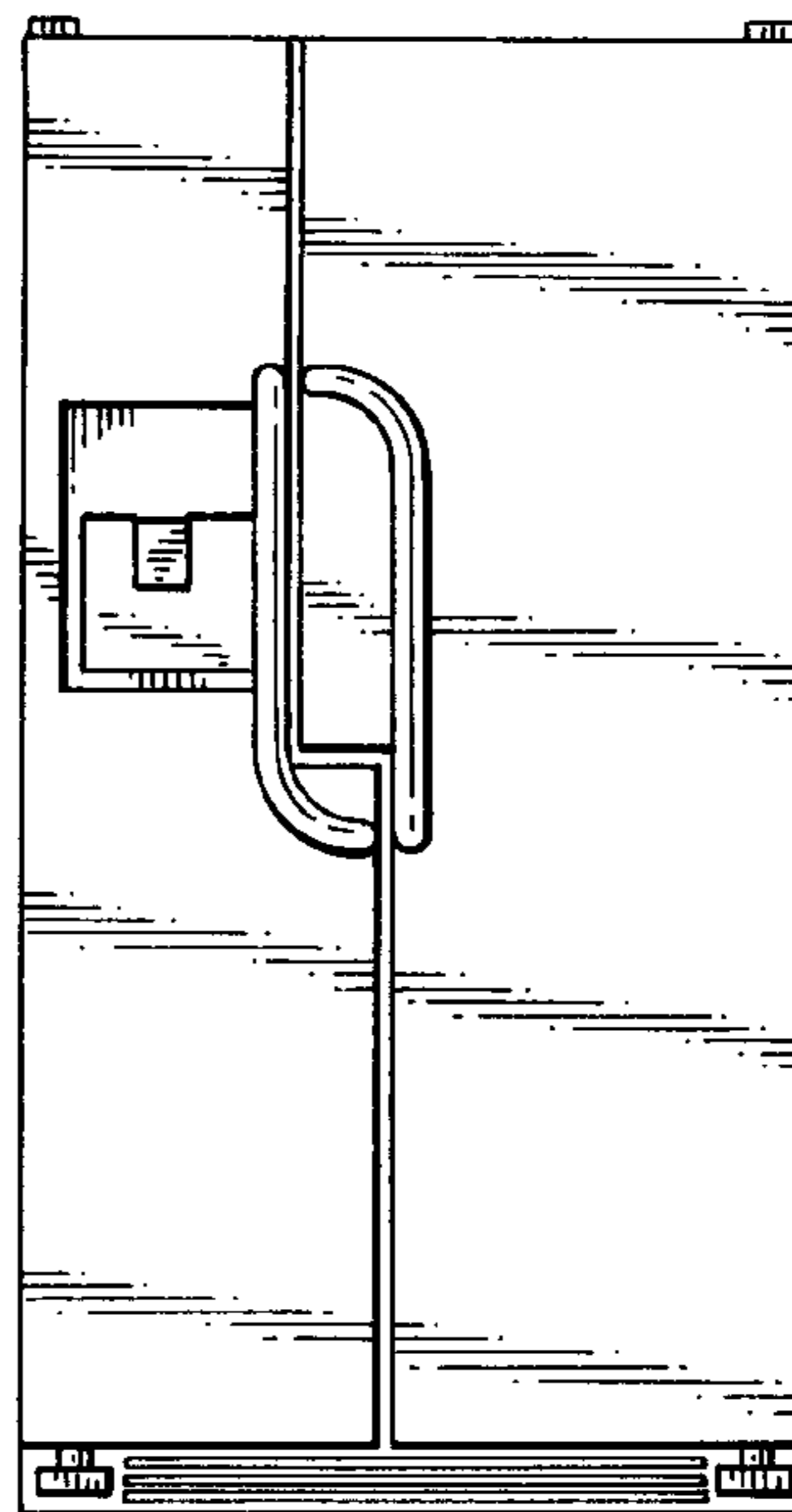
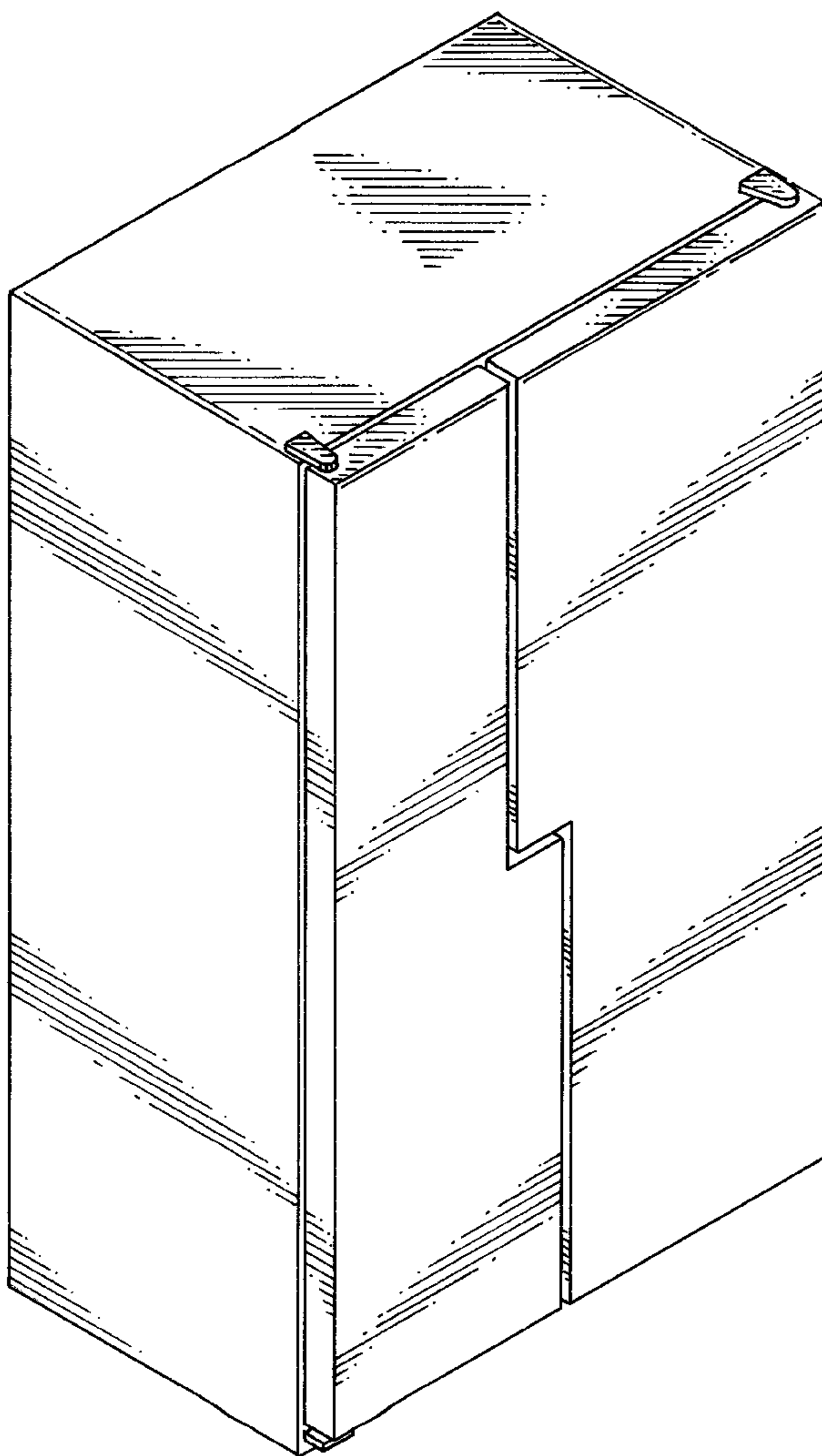
[57] **CLAIM**

The ornamental designs for a side-by-side refrigerator, as shown and described.

DESCRIPTION

FIG. 1 is a perspective view of a side-by-side refrigerator, showing my new design;
FIG. 2 is a front elevational view thereof;
FIG. 3 is a top plan view of the side-by-side refrigerator;
FIG. 4 is a bottom plan view thereof; and,
FIG. 5 is a reduced front elevational view of a second embodiment thereof.

1 Claim, 3 Drawing Sheets



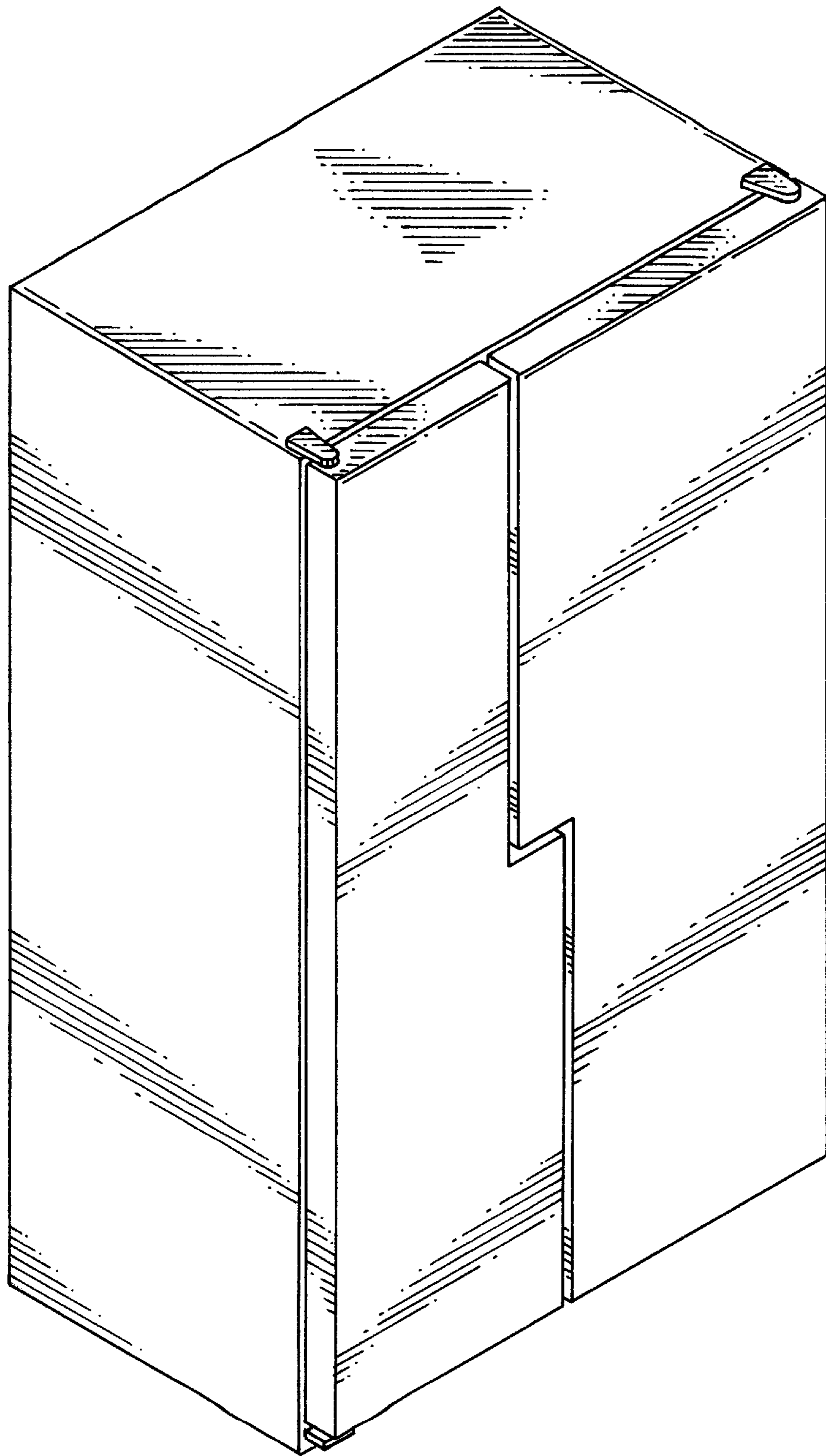


FIG. 1

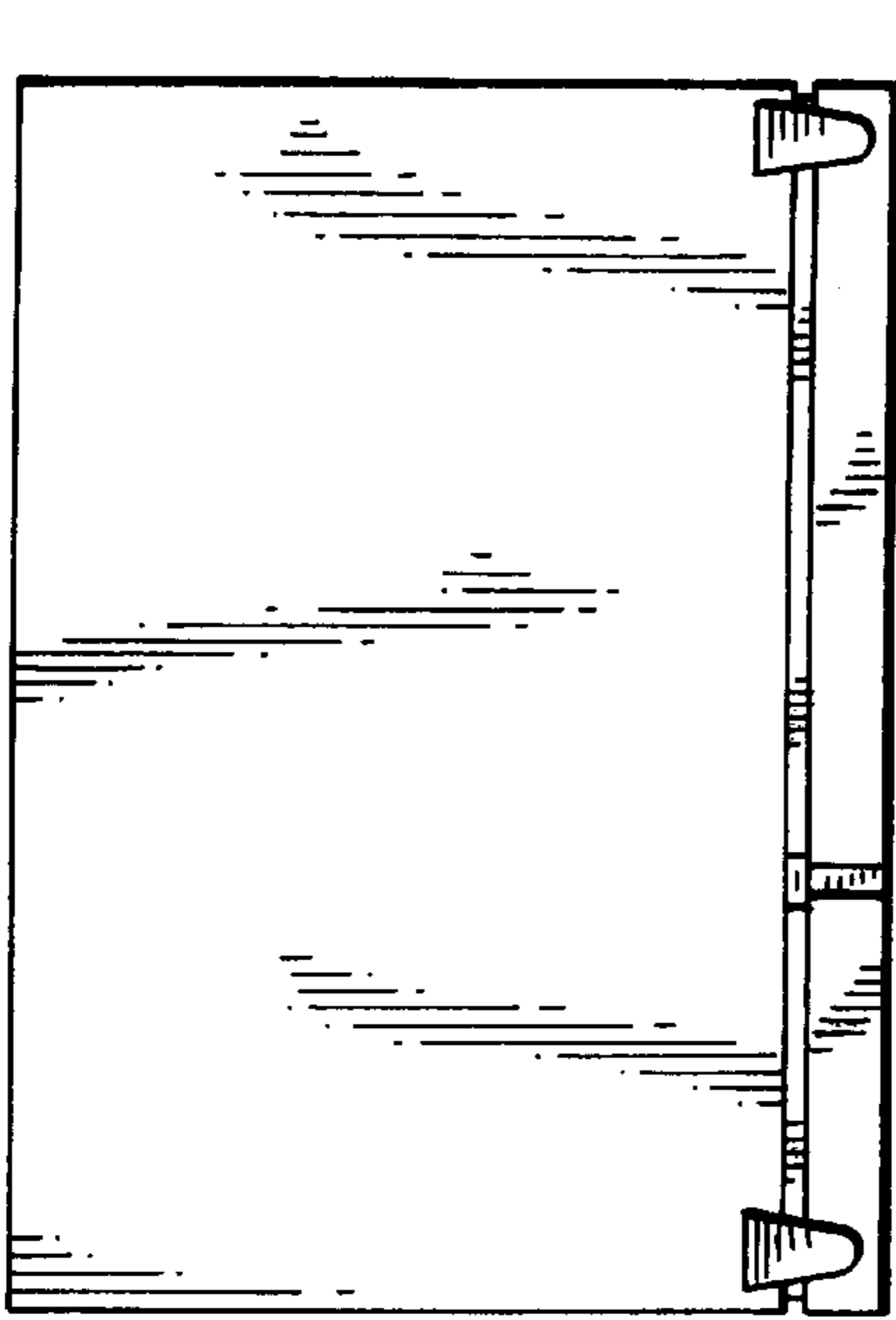


FIG. 3

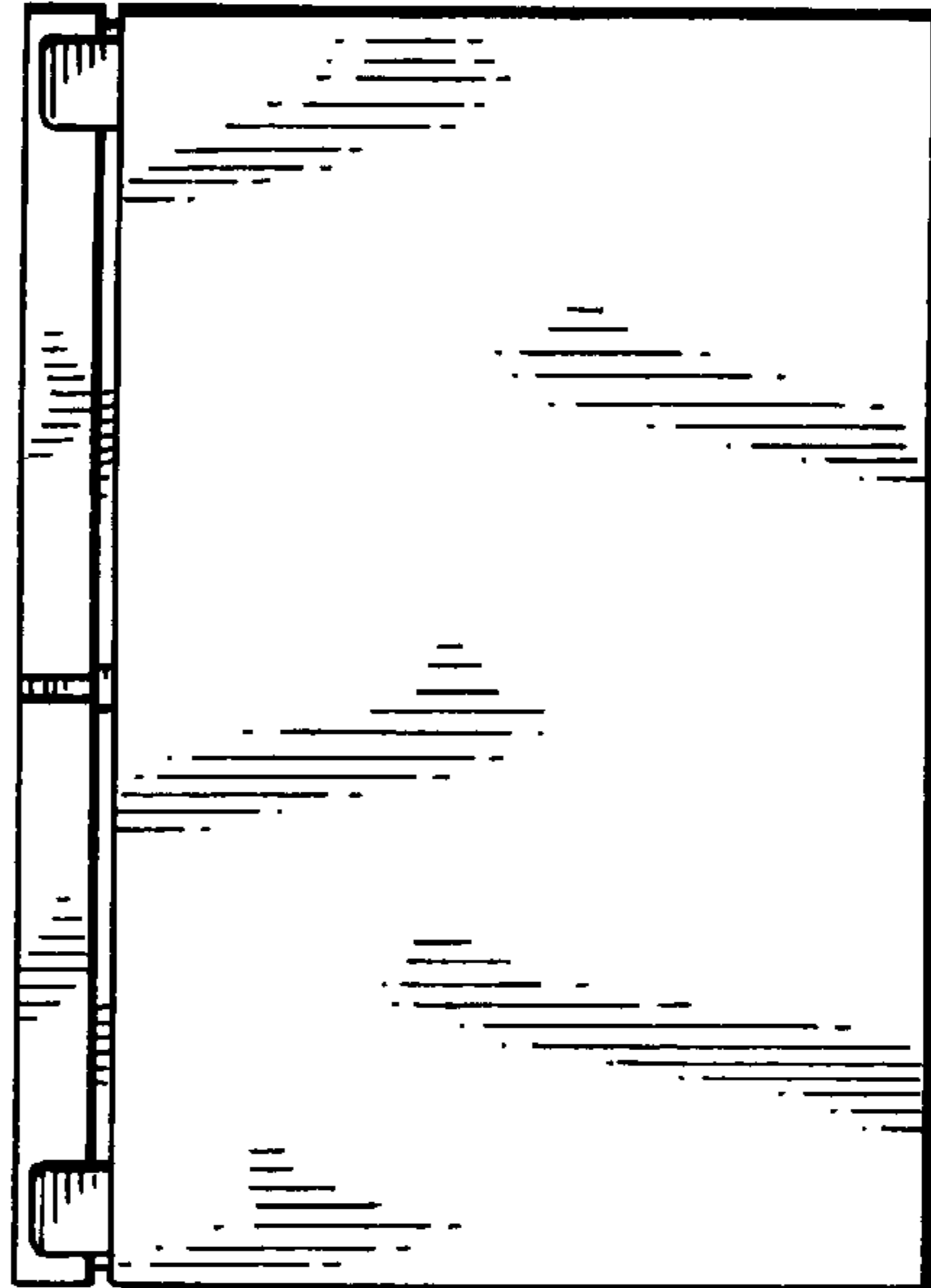


FIG. 4

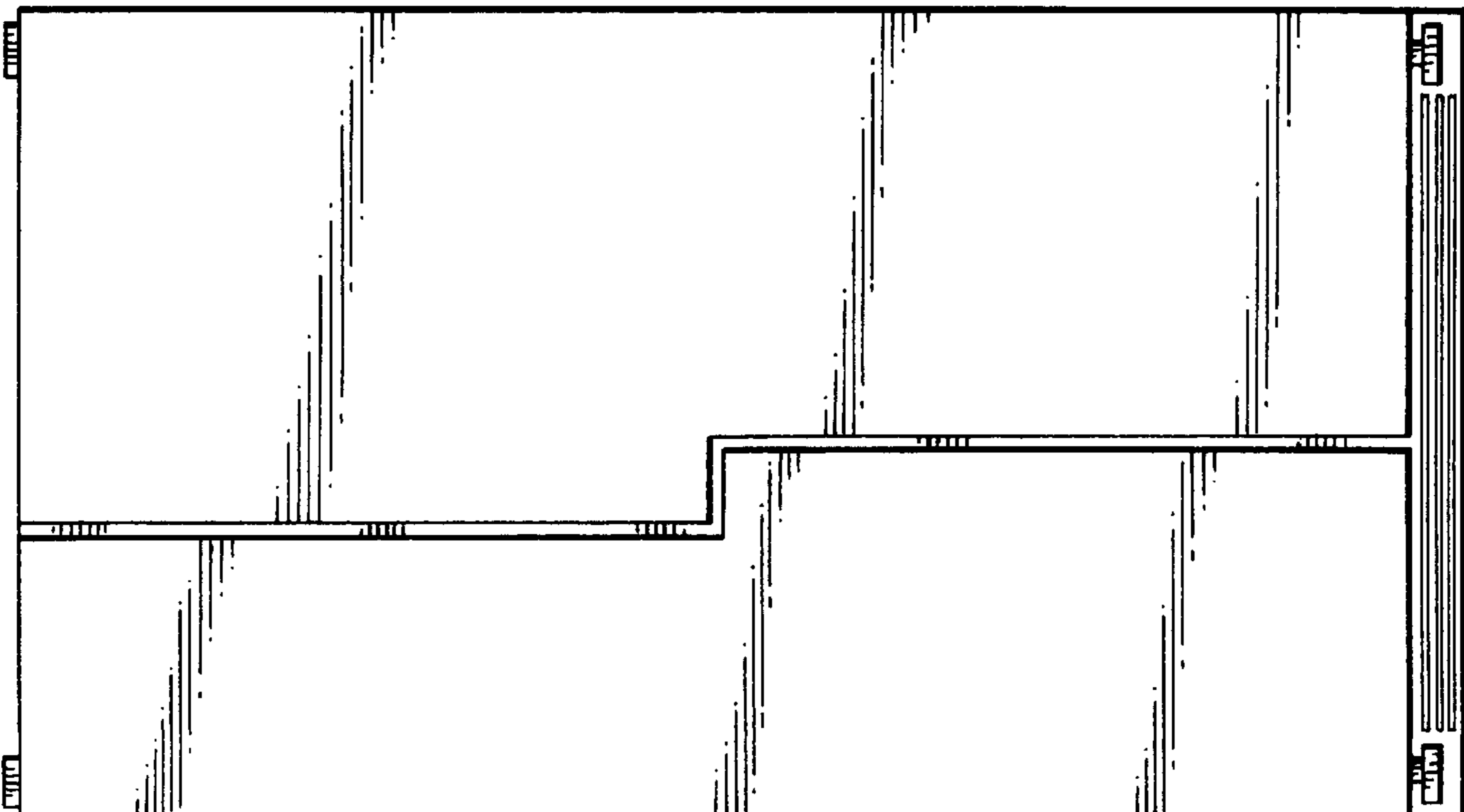


FIG. 2

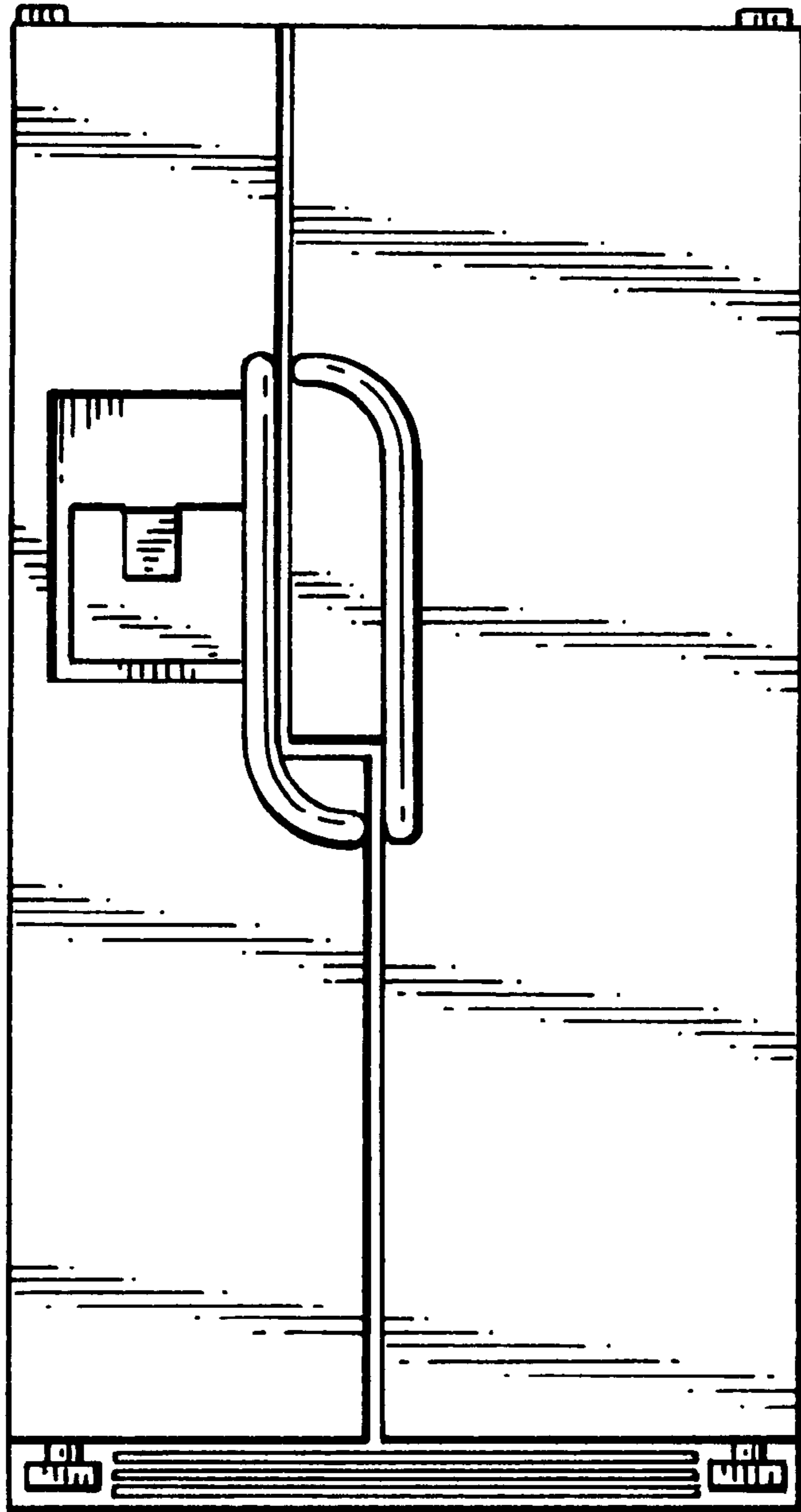


FIG. 5