



US00D418844S

United States Patent [19]
Occhiuto

[11] **Patent Number: Des. 418,844**

[45] **Date of Patent: ** Jan. 11, 2000**

[54] **CHANNEL LOCK VALVE COVER**

[76] Inventor: **Michael James Occhiuto**, 5401
Lantana Ave., Charlotte, N.C. 28212

[**] Term: **14 Years**

[21] Appl. No.: **29/103,685**

[22] Filed: **Apr. 19, 1999**

[51] **LOC (7) Cl.** **15-01**

[52] **U.S. Cl.** **D15/5**

[58] **Field of Search** D15/5; 123/90.37,
123/90.38, 195 C, 572, 573

[56] **References Cited**

U.S. PATENT DOCUMENTS

D. 305,123	12/1989	Garrett et al.	D15/5
1,538,560	9/1985	Alden	123/90.38
2,877,756	3/1959	McCauley et al.	123/195 C
4,164,927	8/1979	Congram et al.	123/195 C
4,788,950	12/1988	Finley	123/195 C
4,821,699	4/1989	Mackin	123/90.38

Primary Examiner—Ralf Seifert
Attorney, Agent, or Firm—Goldstein & Canino

[57] **CLAIM**

The ornamental design for a channel lock valve cover, as shown and described.

DESCRIPTION

FIG. 1 is a diagrammatic perspective view of the channel lock valve cover in full lines with a gasket shown in broken lines representing environmental association matter being for illustrative purposes only and forming no part of the claimed invention.

FIG. 2 is a diagrammatic perspective view of the channel lock valve cover.

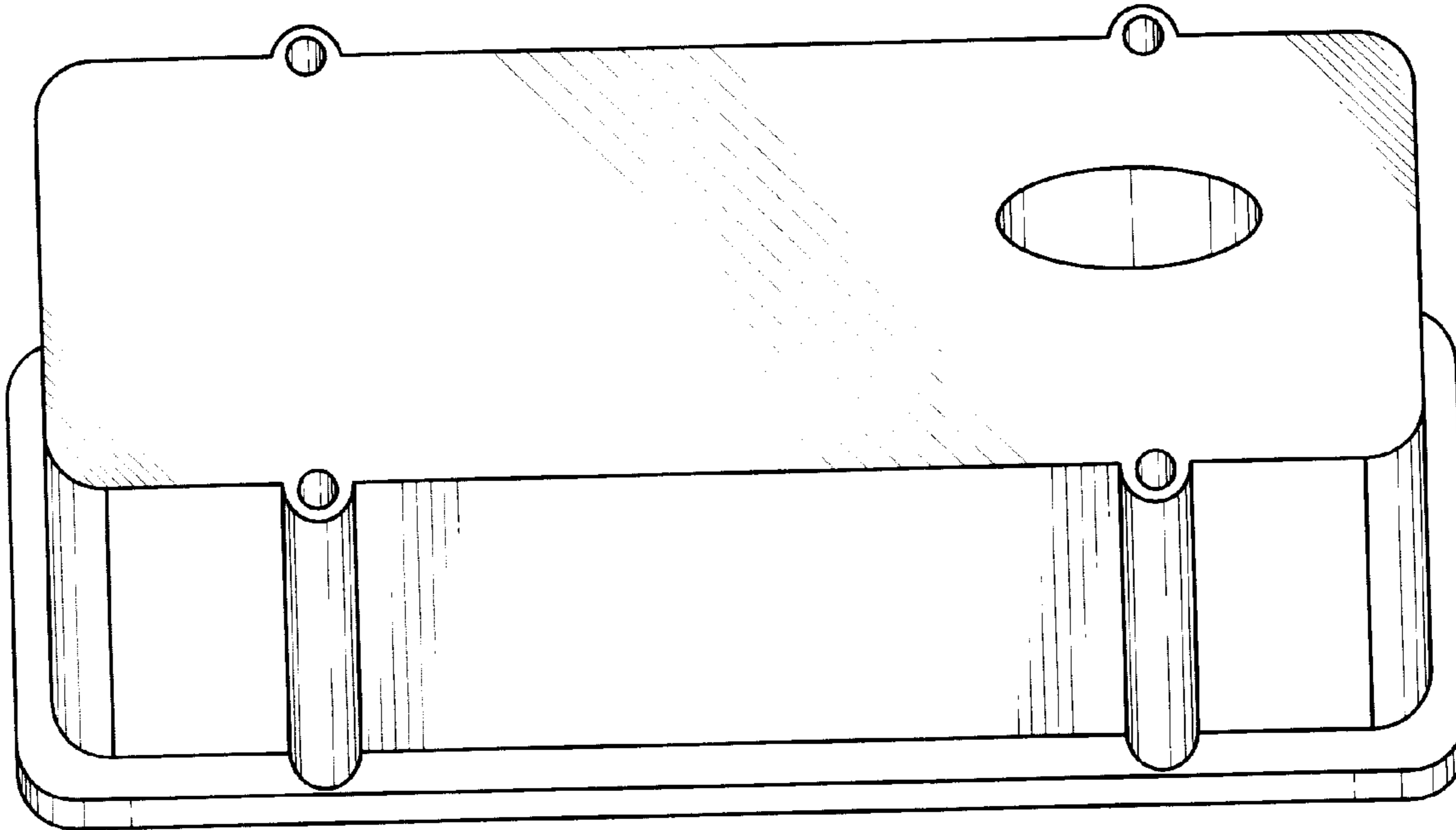
FIG. 3 is a front elevational view thereof, the rear elevational view being a mirror image of the front view.

FIG. 4 is a top plan view thereof;

FIG. 5 is a bottom plan view thereof.

FIG. 6 is a right side elevational view of the channel lock valve cover, the left side elevational view being a mirror image of the right side view.

1 Claim, 2 Drawing Sheets



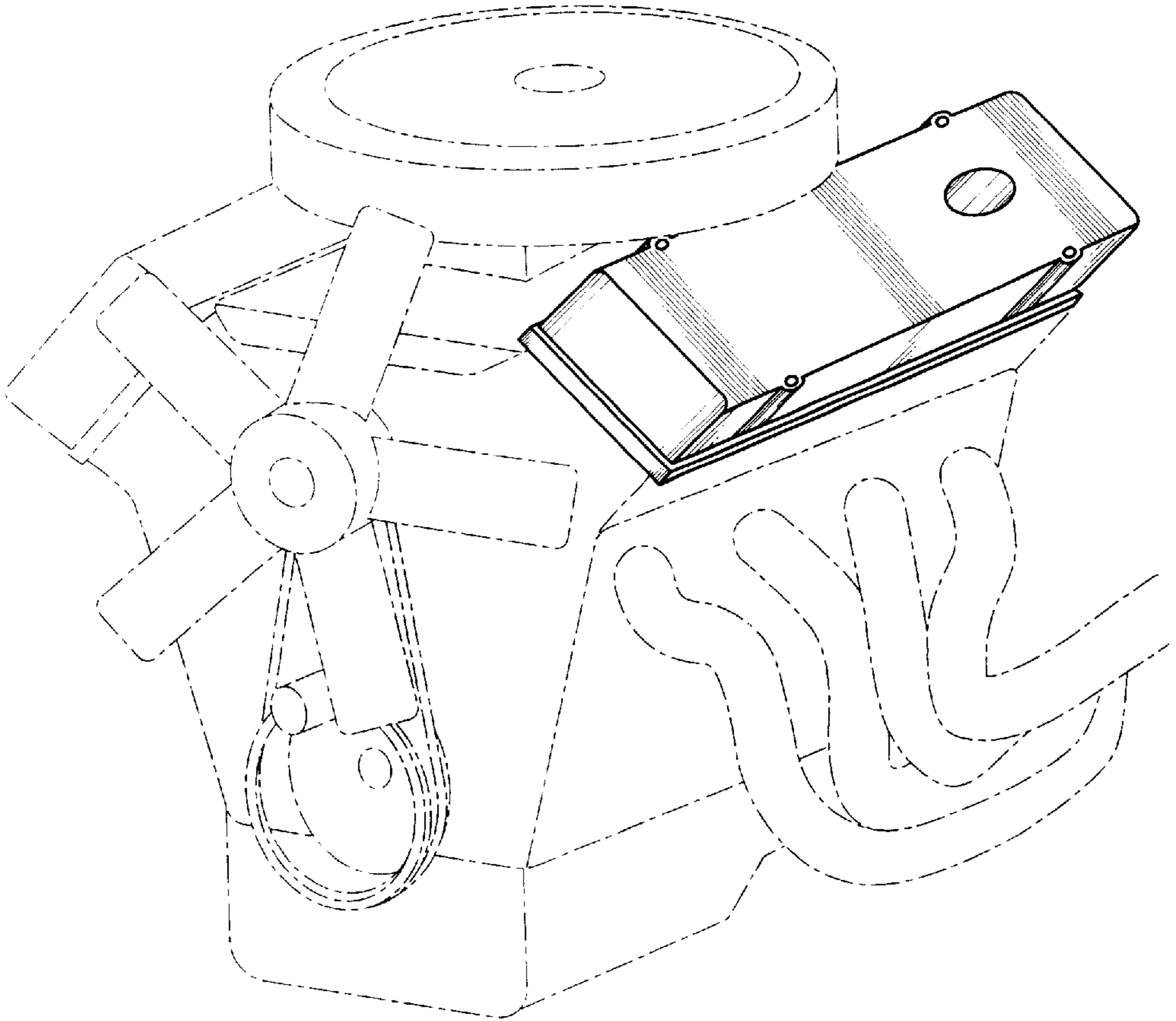


FIG. 1

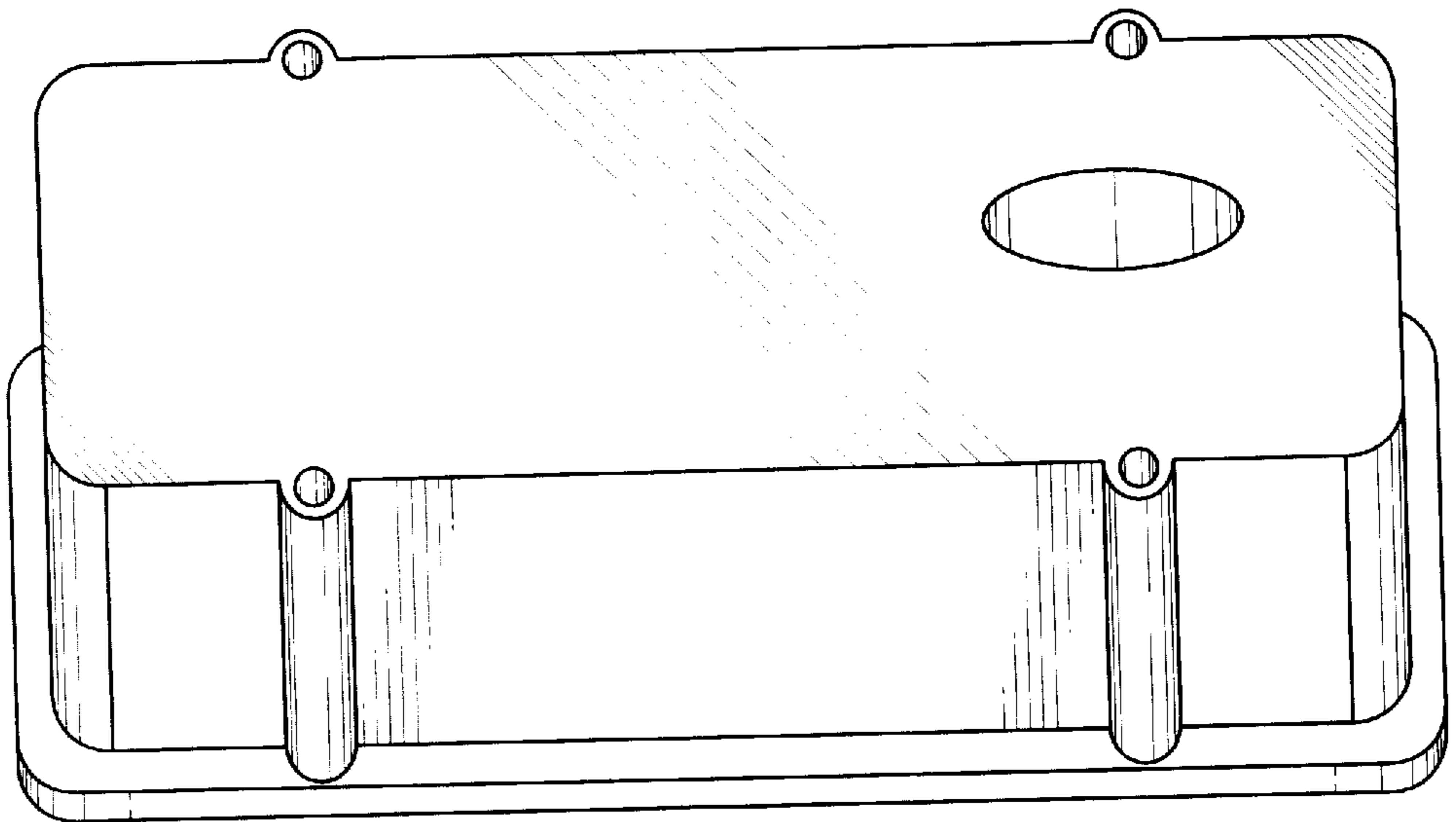


FIG. 2

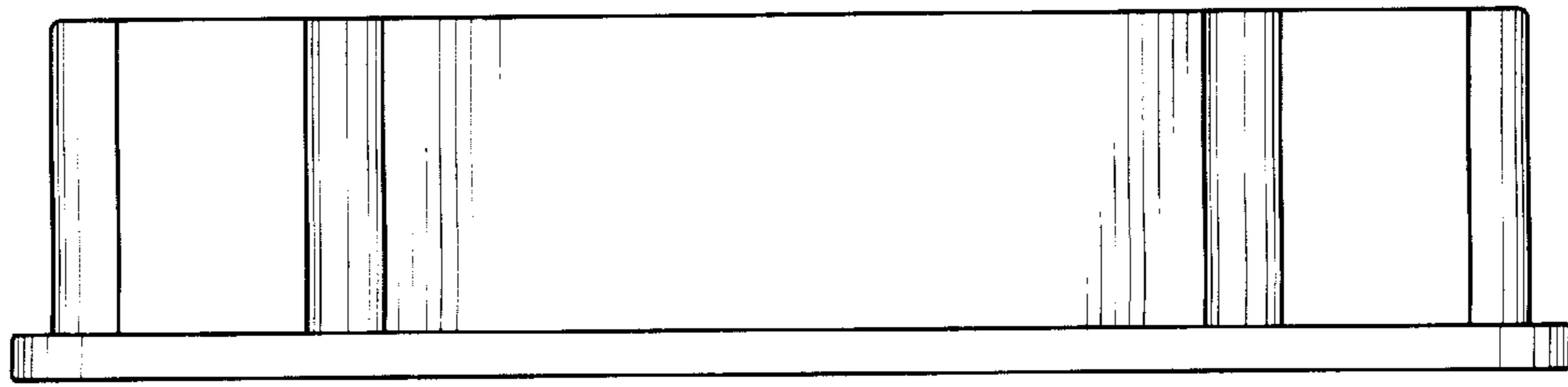


FIG. 3

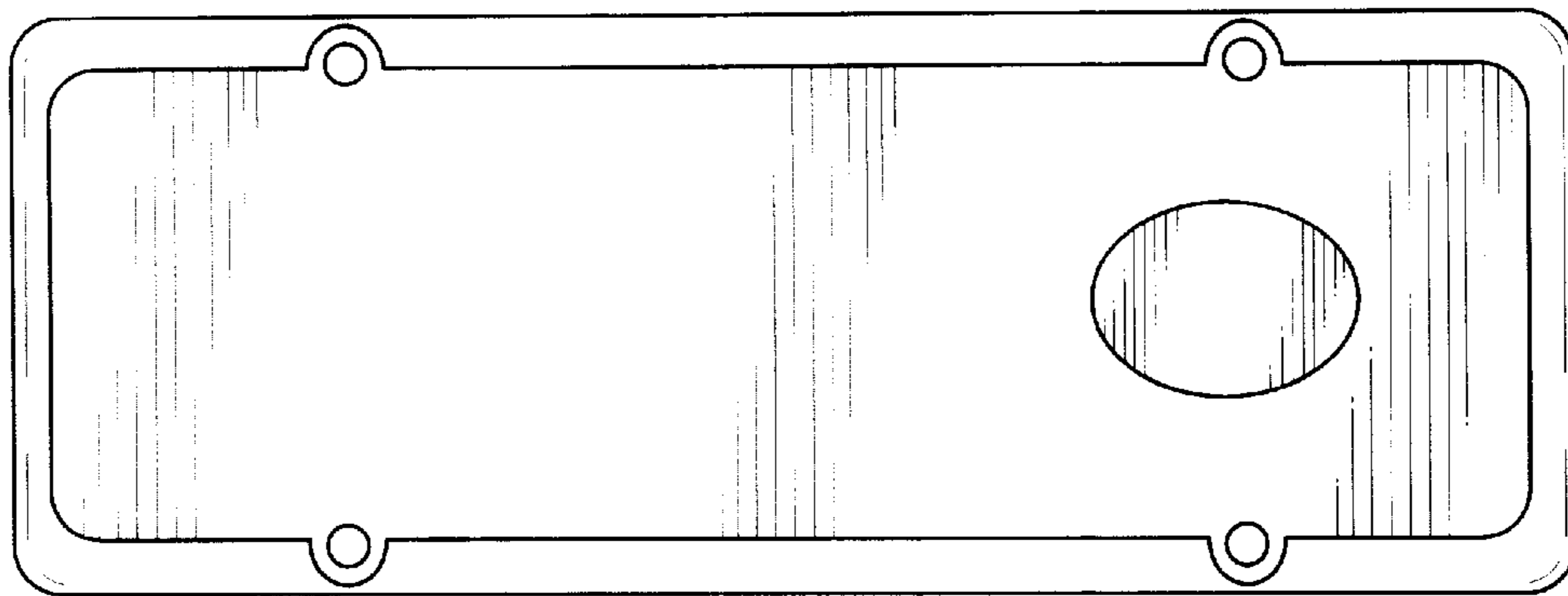


FIG. 4

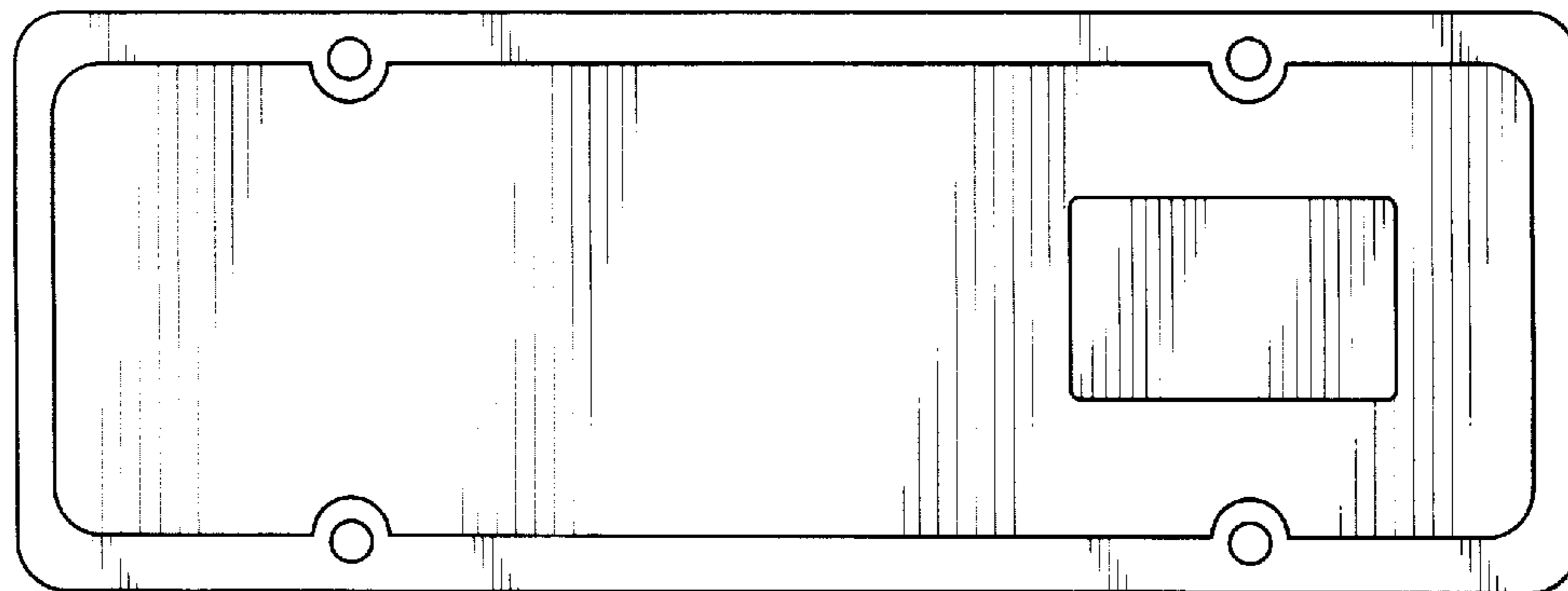


FIG. 5

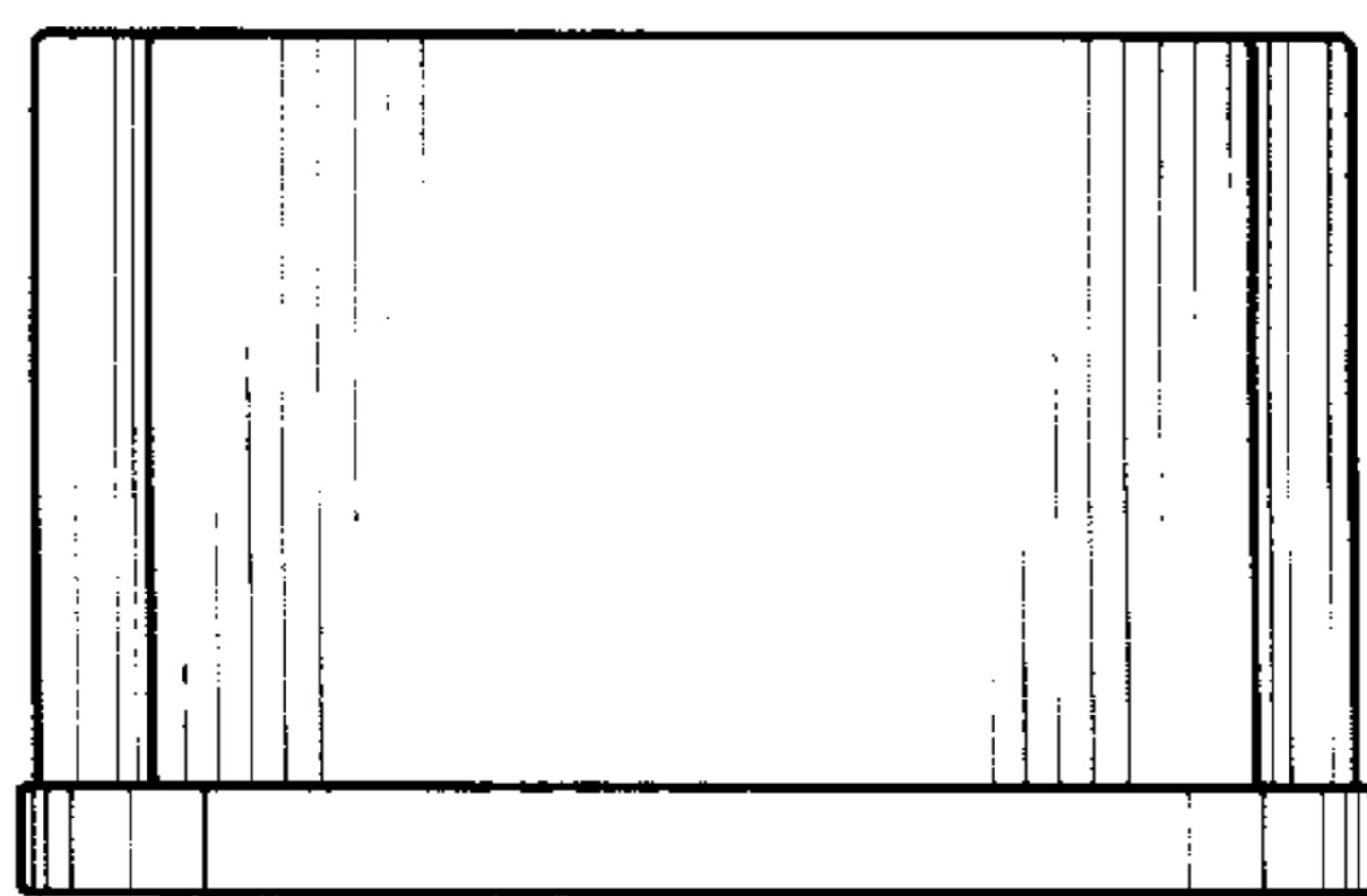


FIG. 6