



US00D418842S

United States Patent [19] Shindo

[11] Patent Number: Des. 418,842

[45] Date of Patent: ** Jan. 11, 2000

[54] CALLER ID INDICATOR

5,907,605 5/1999 Ramirez et al. 379/142

[75] Inventor: Koji Shindo, Tokyo, Japan

OTHER PUBLICATIONS

[73] Assignee: Sony Corporation, Tokyo, Japan

Best catalog, p. 19, item C, AT&T Call Display 25., and item F, GE Caller ID Box, Jan. 1996.

[**] Term: 14 Years

Catalog "Accessory 61", pp. 10, 11 and 67, Sony (Jul. 1997).
Catalog "Accessory 64", p. 64, Sony (Jul. 1998).

[21] Appl. No.: 29/093,898

Primary Examiner—Jeffrey Asch

[22] Filed: Sep. 21, 1998

Attorney, Agent, or Firm—Foley & Lardner

[51] LOC (7) Cl. 14-03

[57] CLAIM

[52] U.S. Cl. D14/240

The ornamental design for a caller ID indicator, as shown and described.

[58] Field of Search D14/218, 155,
D14/149, 140–142, 240, 159, 100, 107,
114, 191, 241; 379/433–436, 419, 420,
428, 440, 142, 441, 442; D13/162, 164,
184; D10/2, 15, 75, 46, 30; D21/331, 324,
333

DESCRIPTION

[56] References Cited

U.S. PATENT DOCUMENTS

D. 206,003	10/1966	Perkins et al.	D10/75
D. 274,648	7/1984	Swanson	D10/75
D. 277,477	2/1985	Foggin et al.	D14/241
D. 311,141	10/1990	Muraa	D10/15
D. 334,915	4/1993	Rak	D14/100
D. 349,501	8/1994	Fan	D14/240
D. 363,282	10/1995	Wicks et al.	D14/141
D. 364,648	11/1995	Osterhout	D21/324
D. 370,911	6/1996	Mo	D14/149
D. 372,718	8/1996	Biasotti et al.	D14/240
D. 373,361	9/1996	Biasotti et al.	D14/240
D. 374,235	10/1996	Biasotti et al.	D14/240
D. 383,467	9/1997	Johansson	D14/240

FIG. 1 is a perspective view of a first embodiment of a caller ID indicator showing my new design;
FIG. 2 is a top plan view thereof;
FIG. 3 is a left side elevational view thereof;
FIG. 4 is a front elevational view thereof;
FIG. 5 is a bottom plan view thereof;
FIG. 6 is a right side elevational view thereof; and
FIG. 7 is a rear elevational view thereof;
FIG. 8 is a perspective view of a second embodiment of a caller ID indicator showing my new design;
FIG. 9 is a top plan view thereof;
FIG. 10 is a left side elevational view thereof;
FIG. 11 is a front elevational view thereof;
FIG. 12 is a bottom plan view thereof;
FIG. 13 is a right side elevational view thereof; and,
FIG. 14 is a rear elevational view thereof.

1 Claim, 8 Drawing Sheets

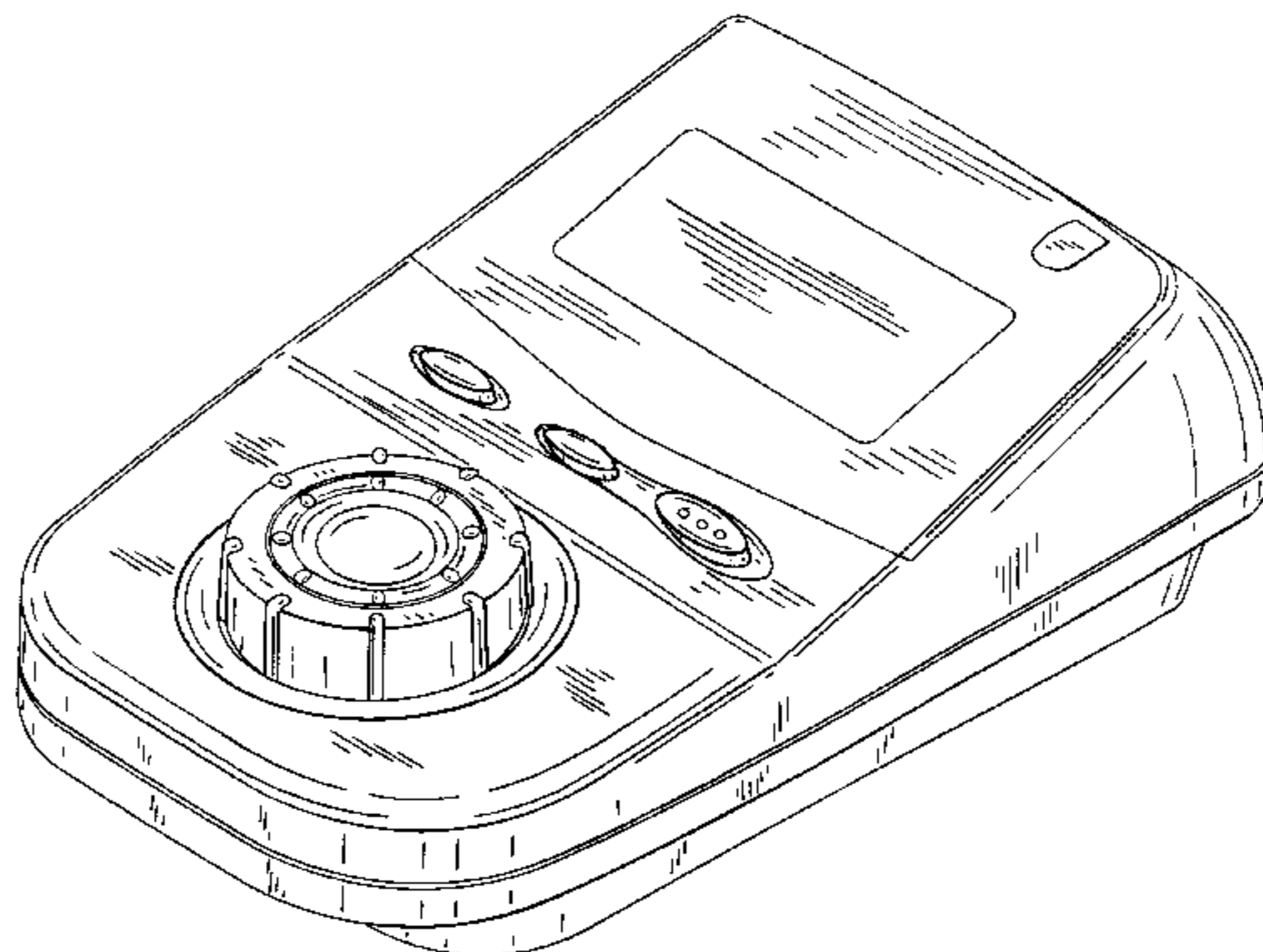
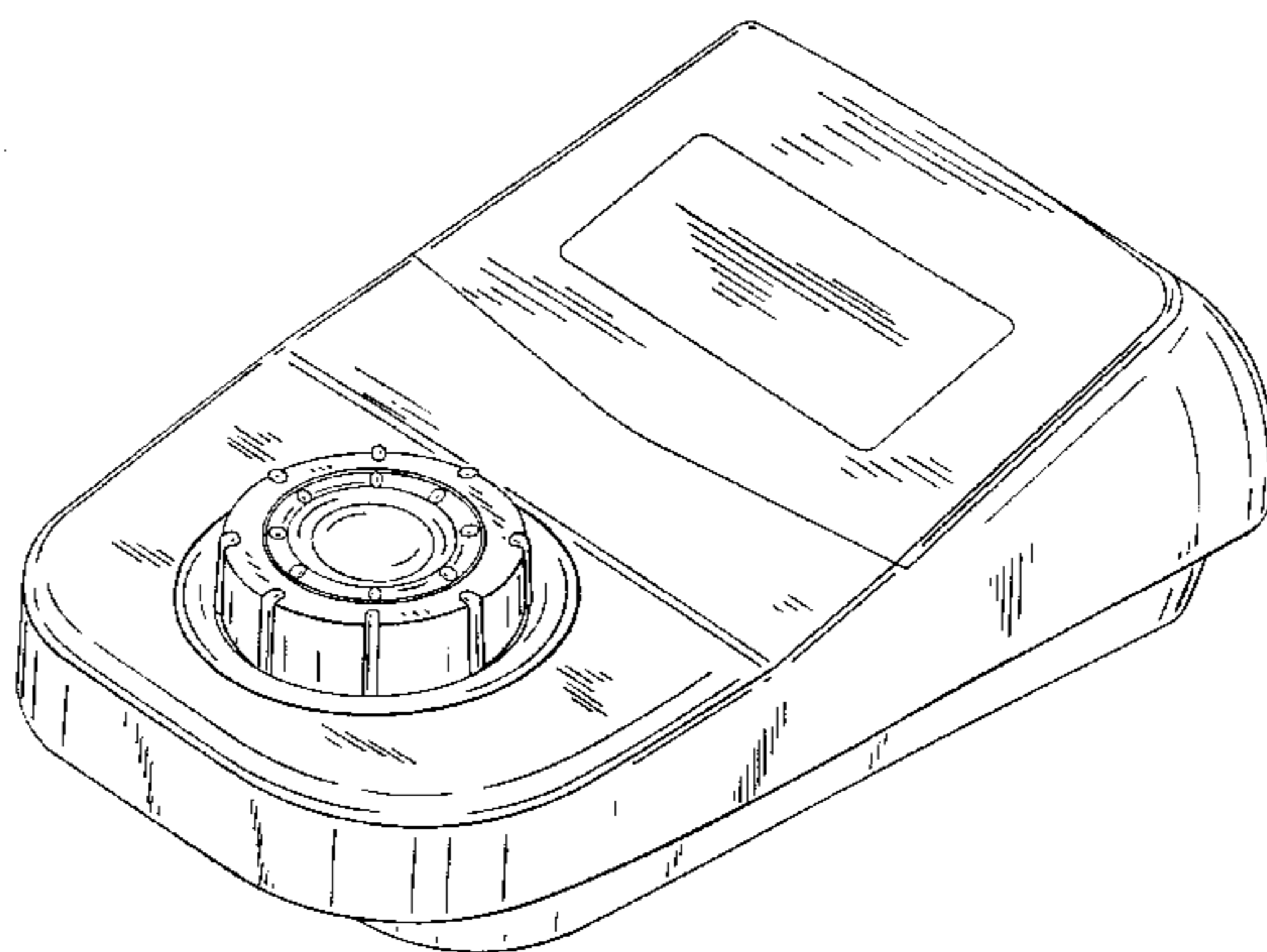


FIG. 1

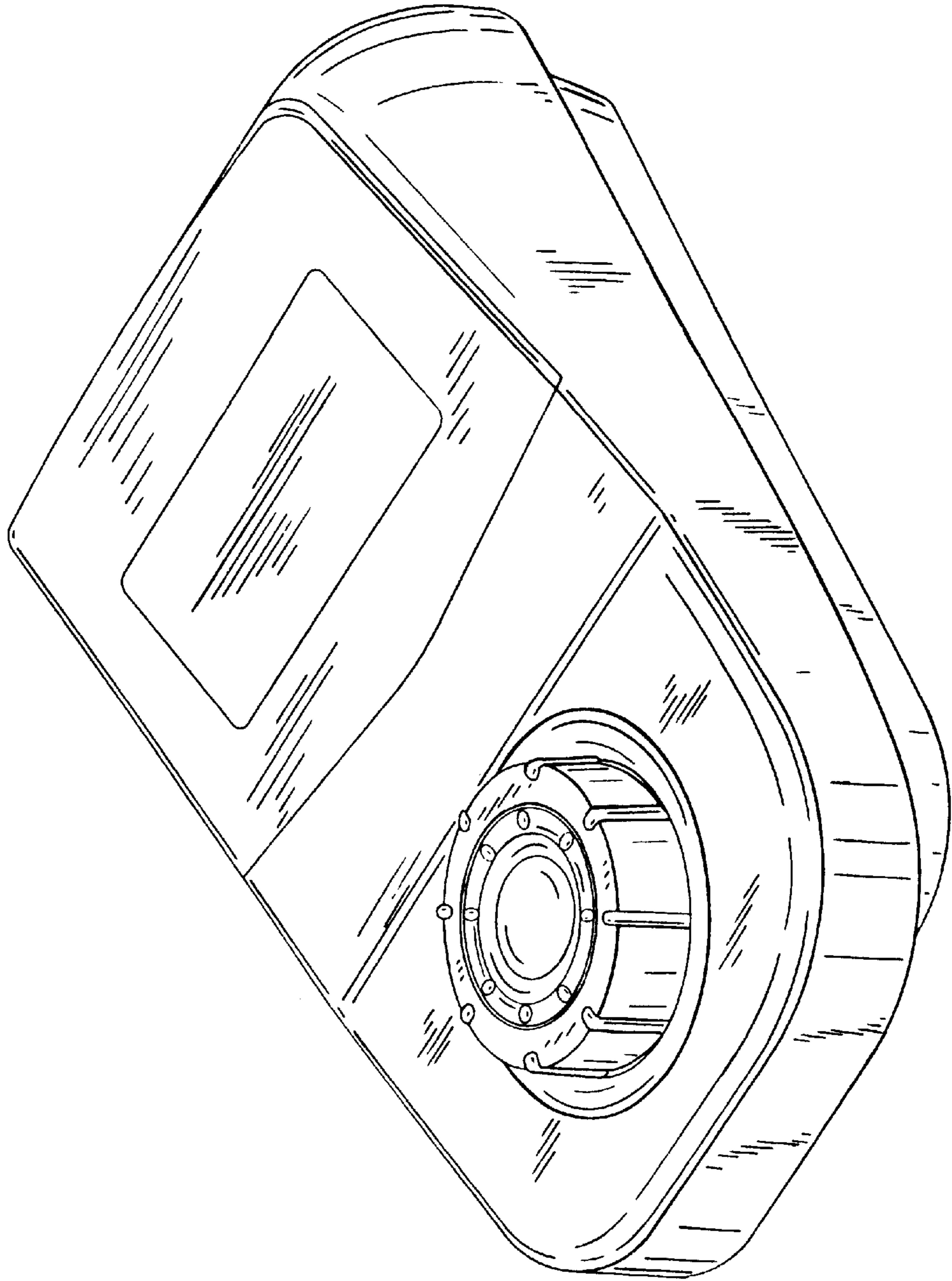


FIG. 2

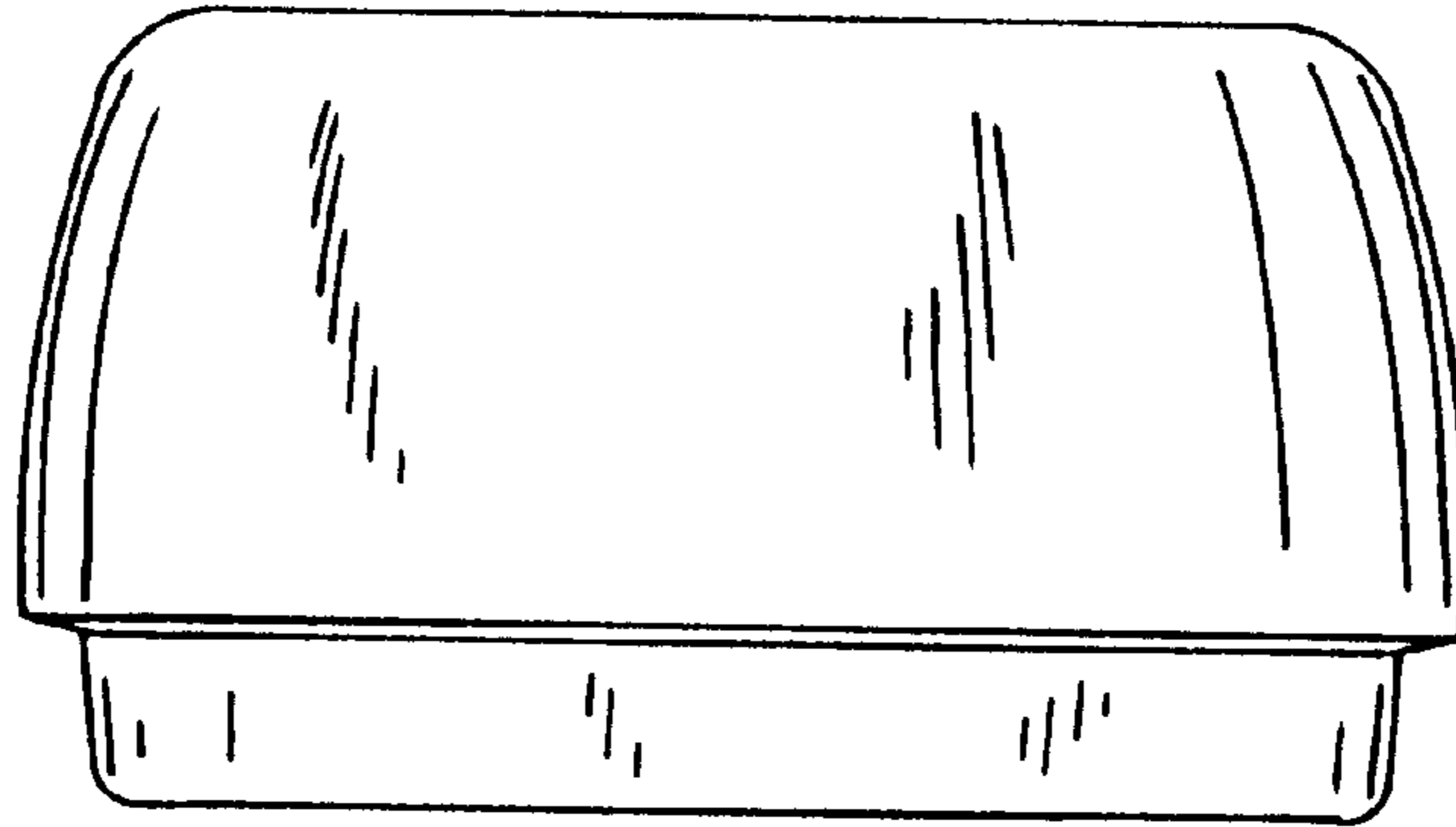


FIG. 5

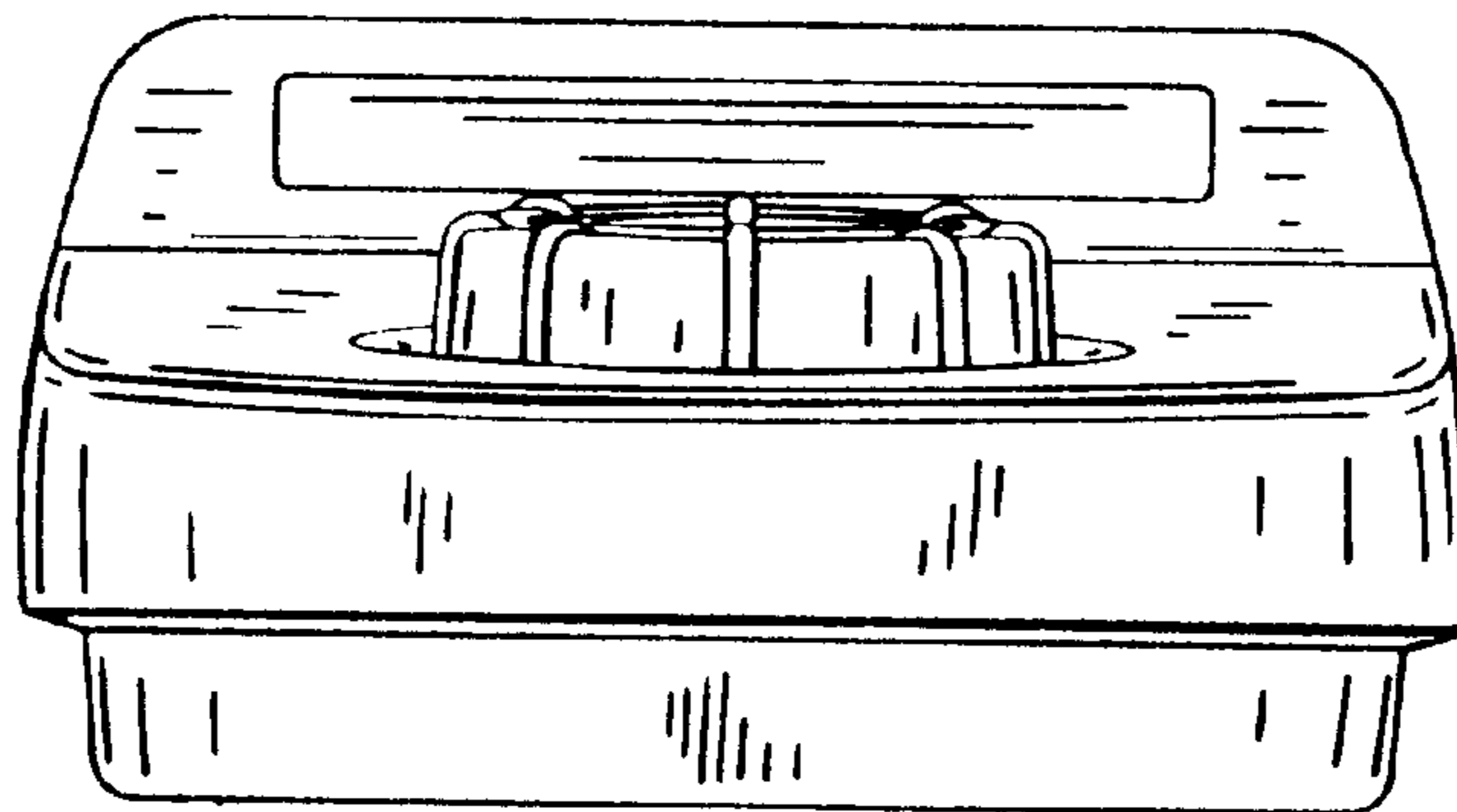


FIG. 6

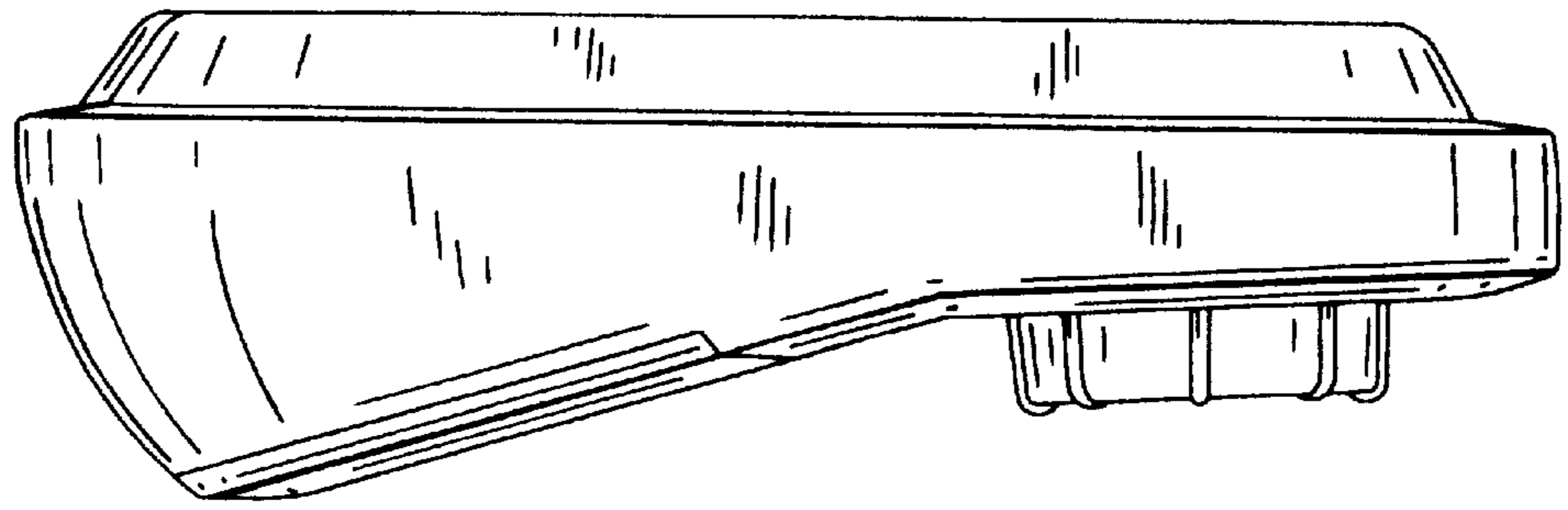


FIG. 3

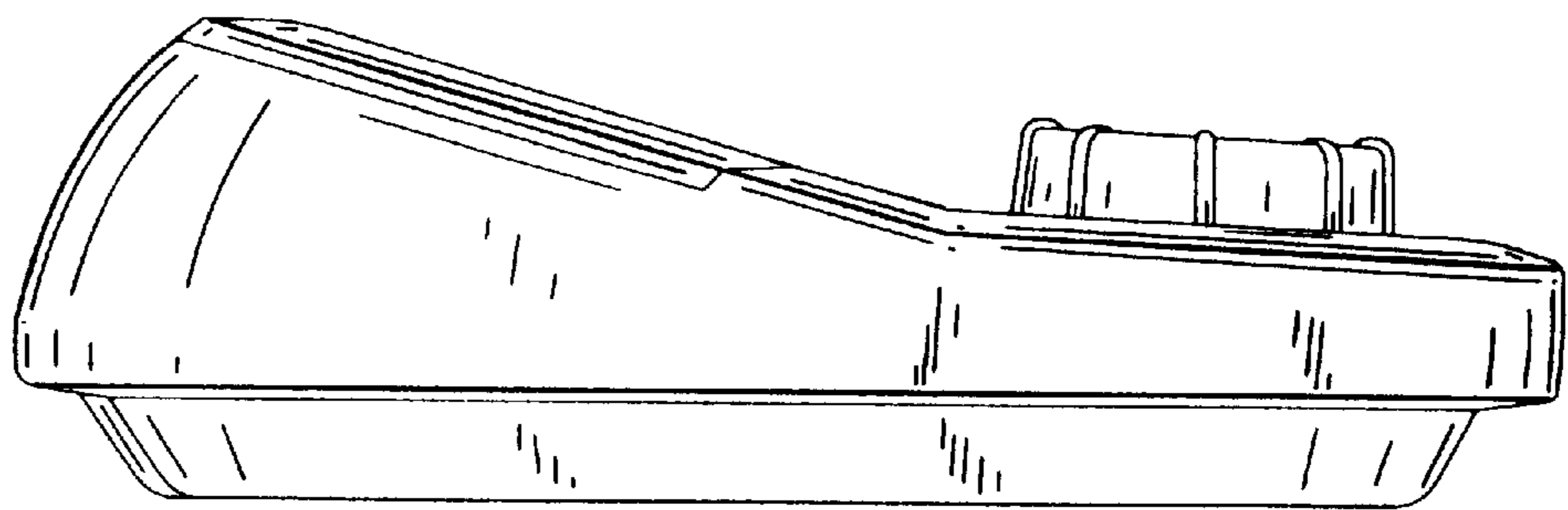


FIG. 7

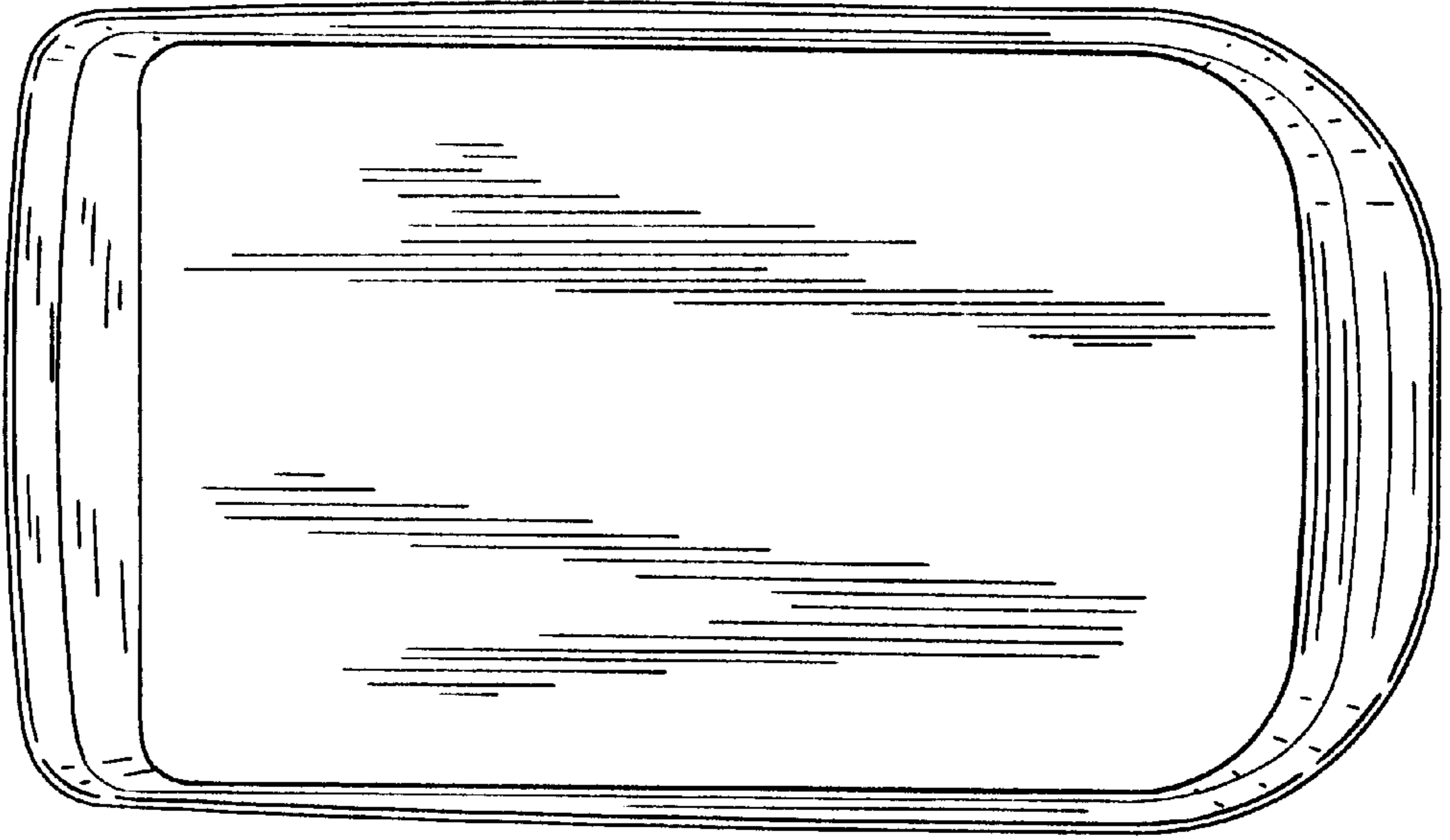


FIG. 4

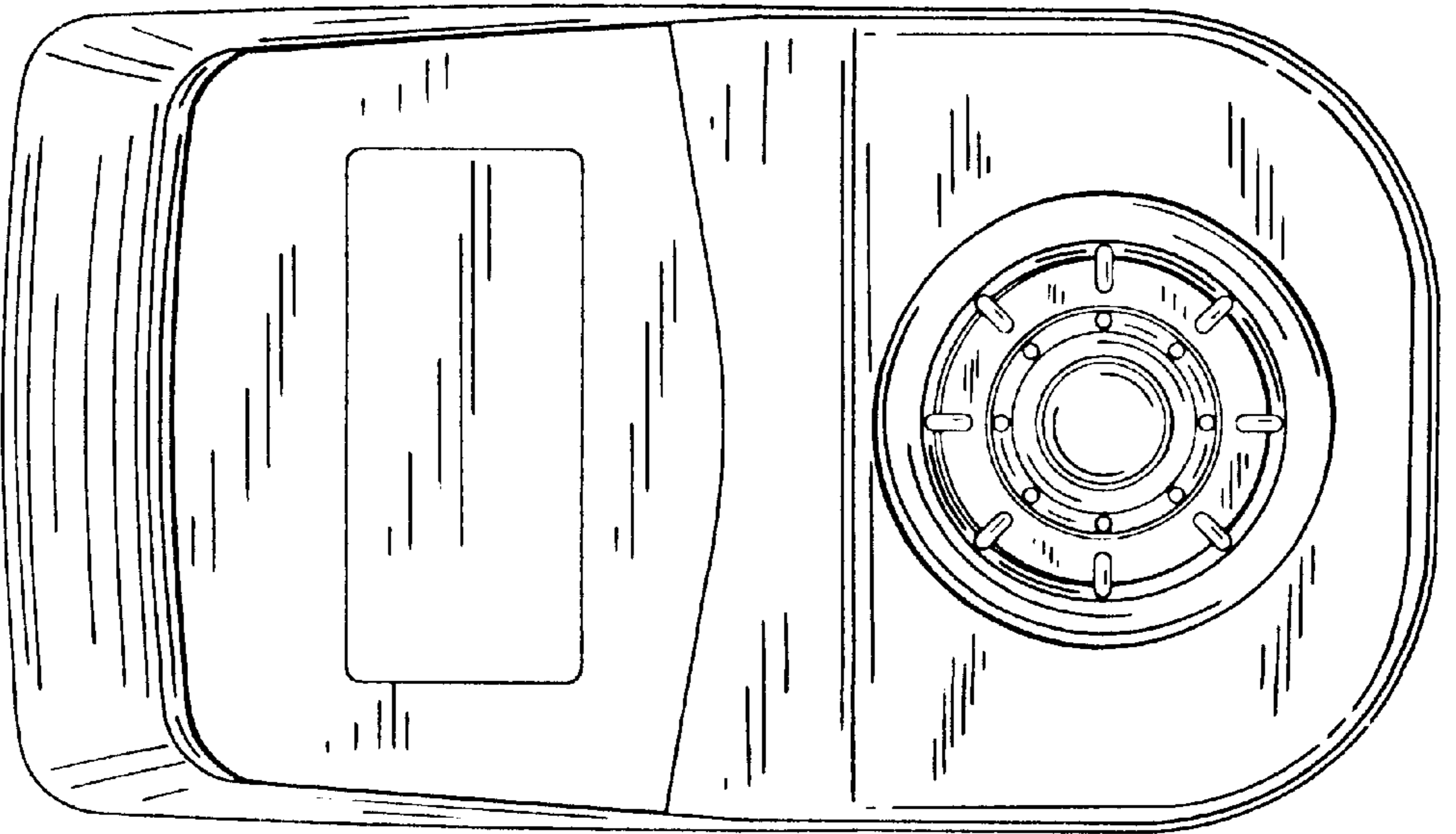


FIG. 8

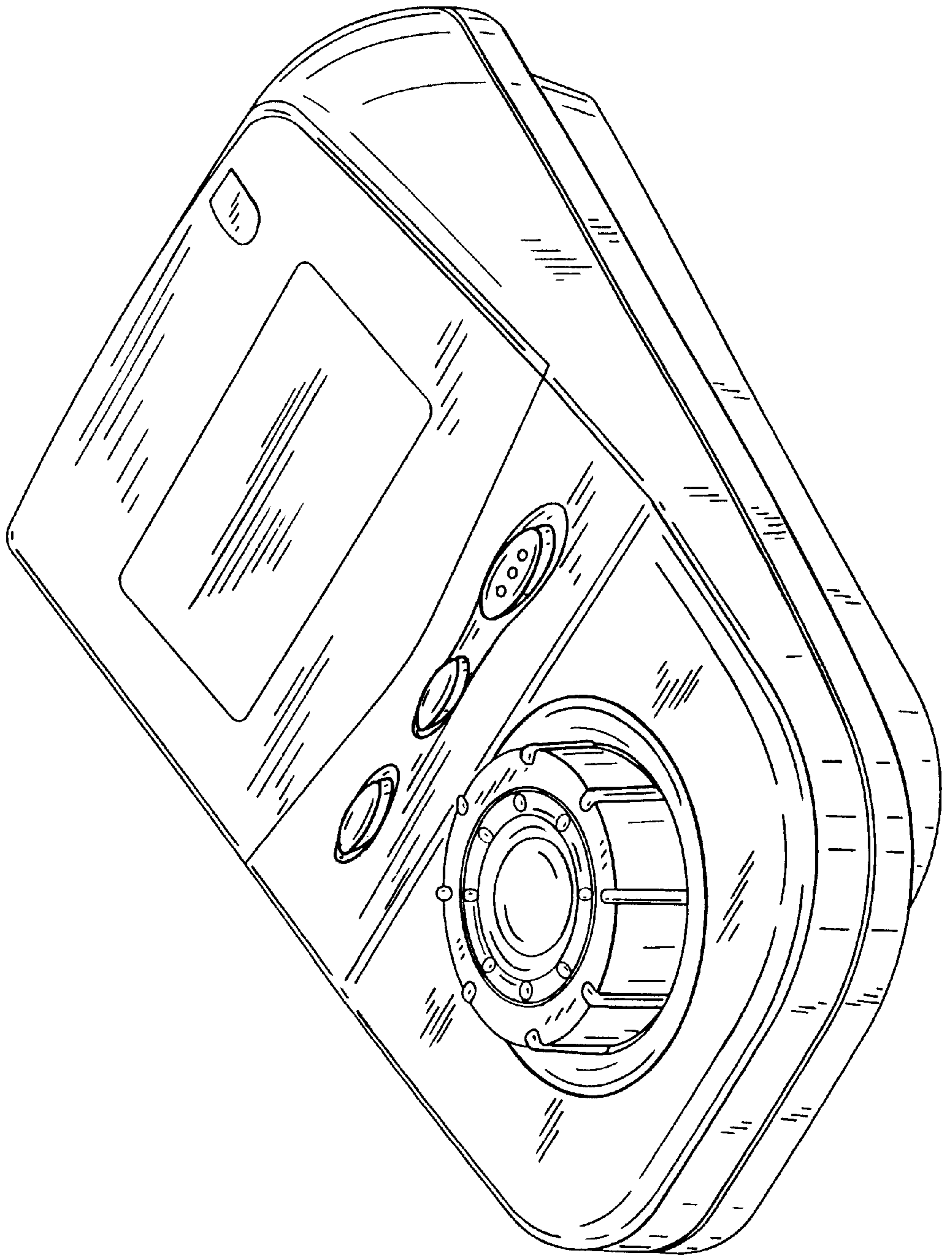


FIG. 9

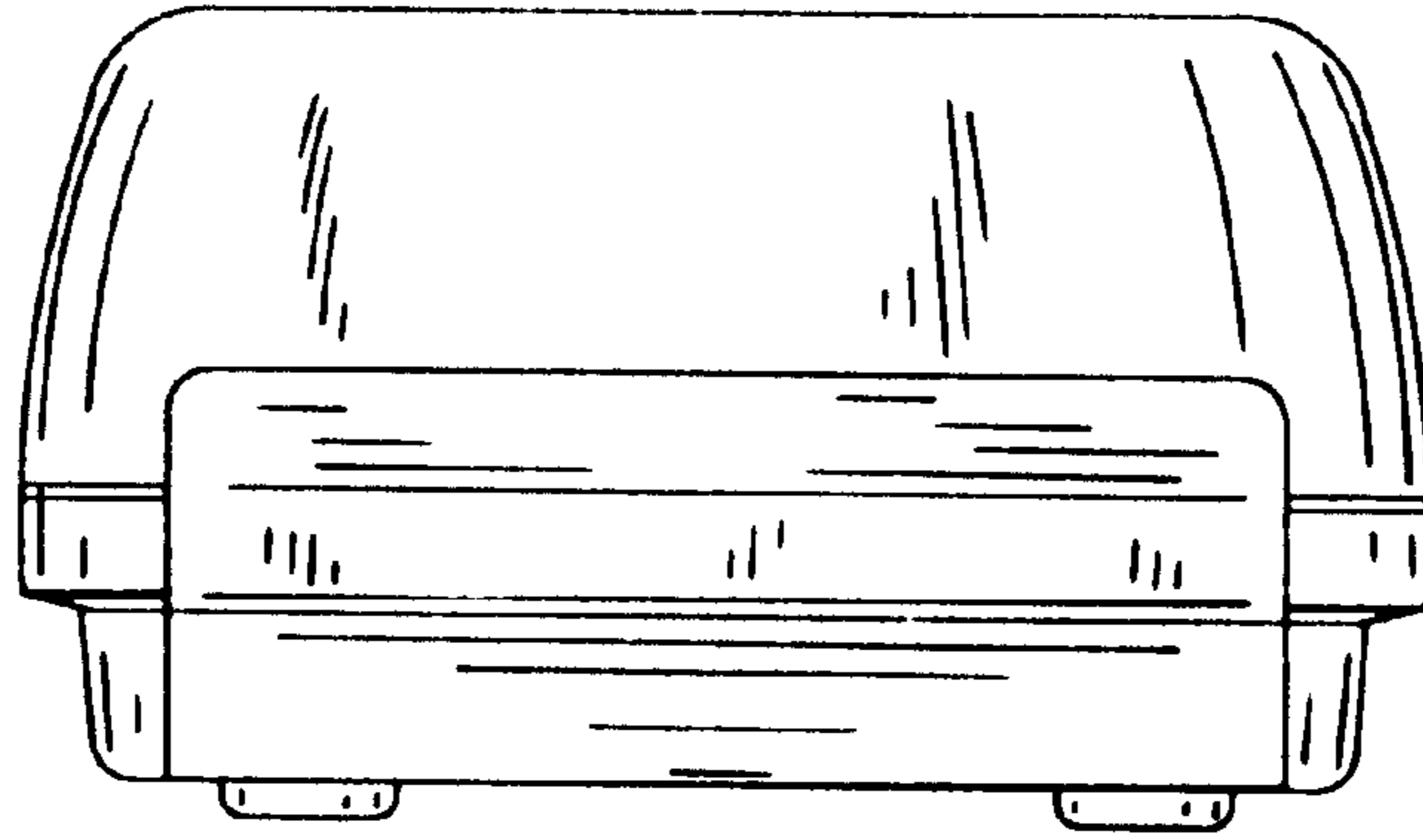


FIG. 12

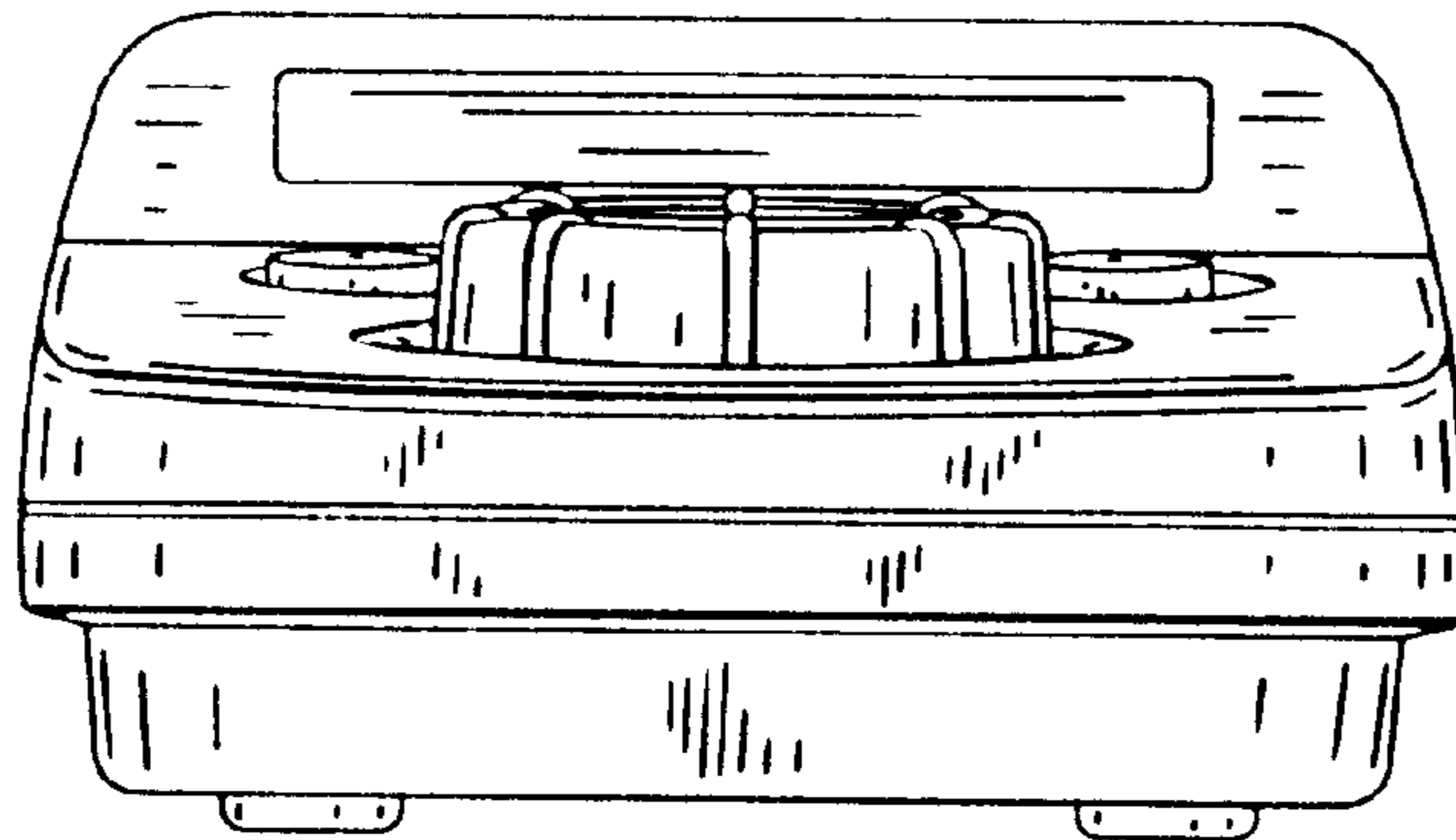


FIG. 13

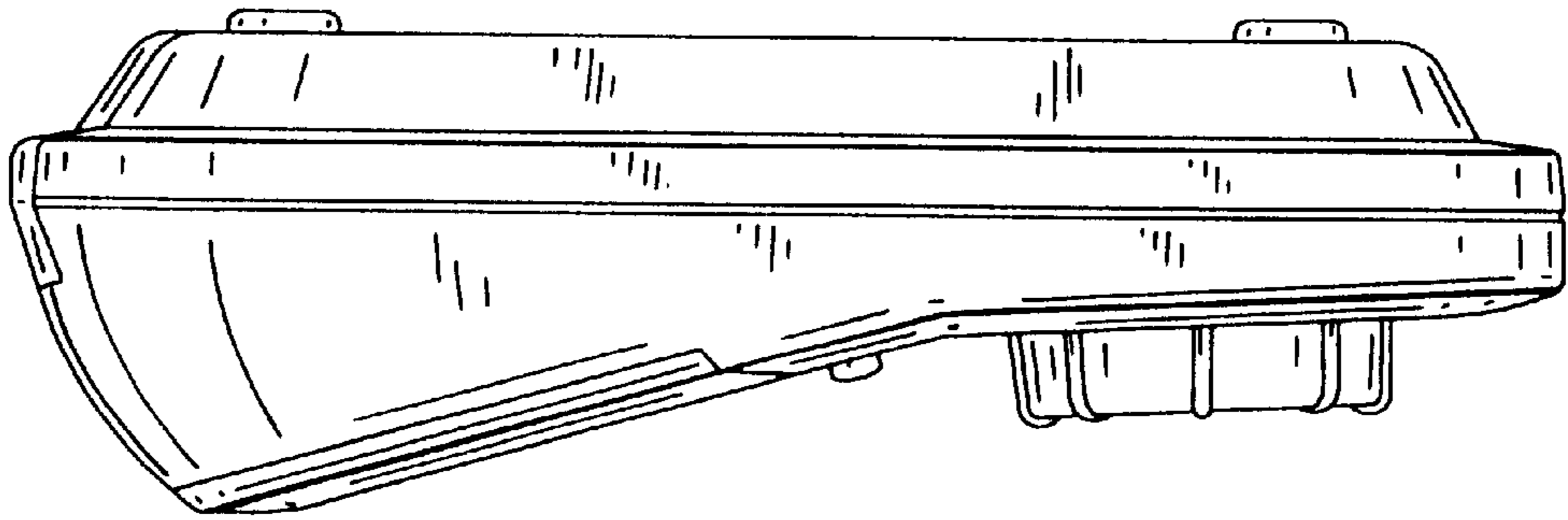


FIG. 10

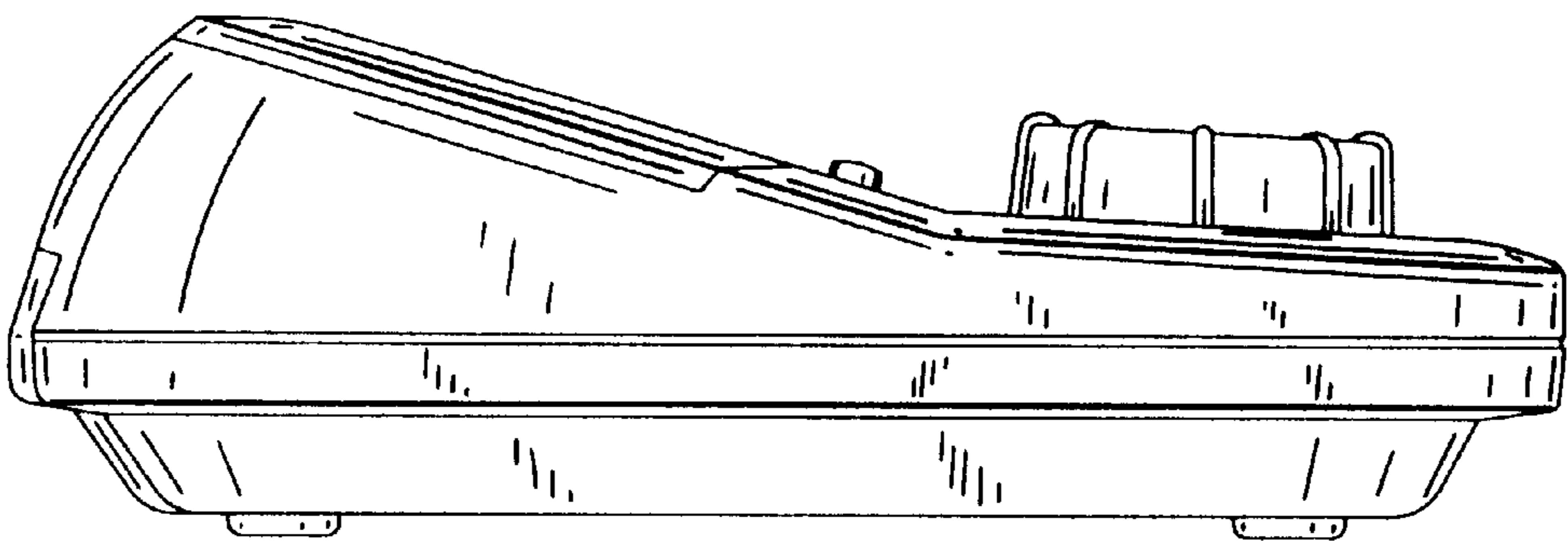


FIG. 14

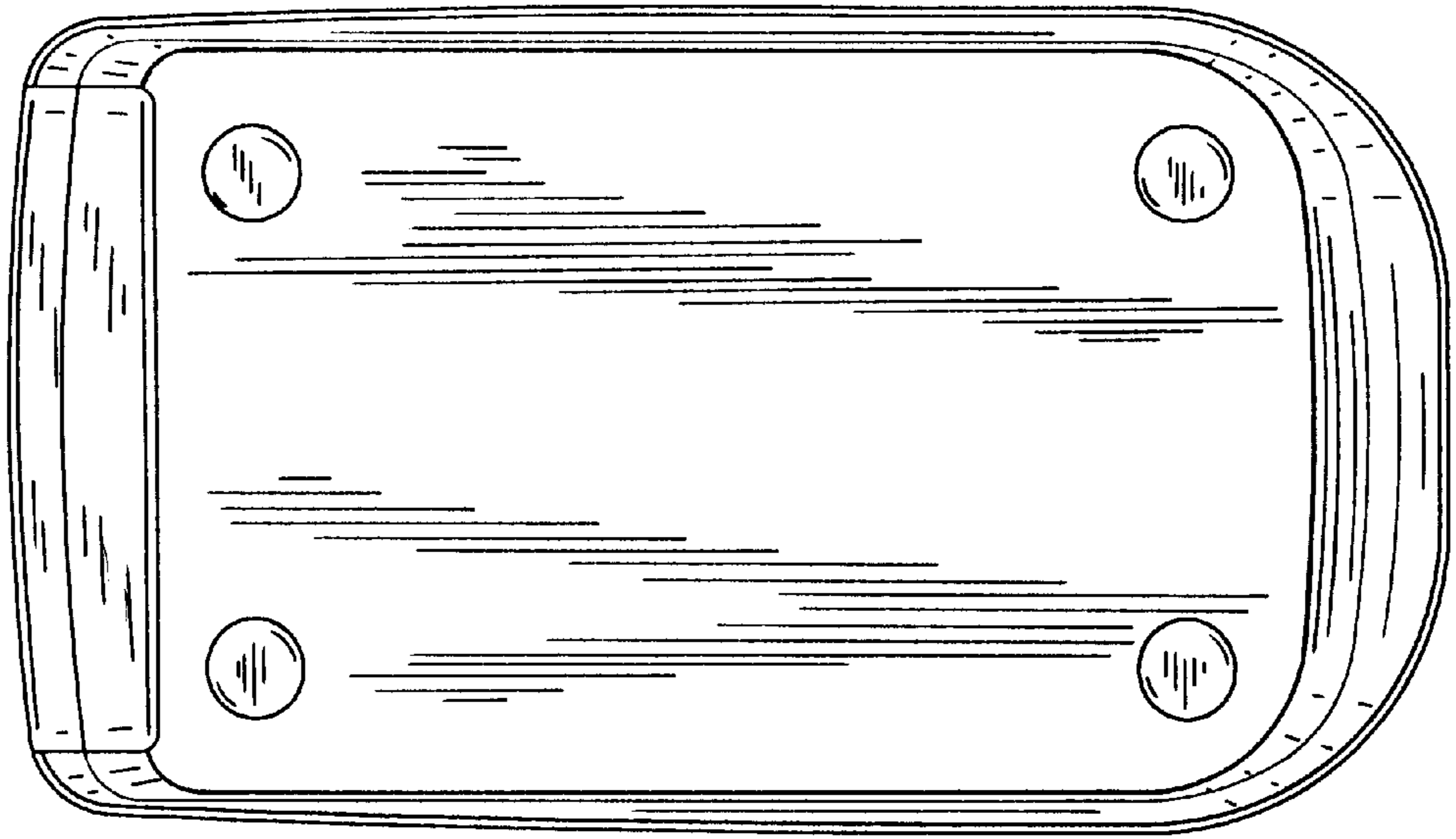


FIG. 11

