



US00D418841S

# United States Patent [19]

[11] Patent Number: Des. 418,841

Saslow et al.

[45] Date of Patent: \*\* Jan. 11, 2000

[54] **PARABOLIC SLAT ANTENNA**

[75] Inventors: **Seymour Saslow; Stephen Erickson,**  
both of Saratoga Springs, N.Y.

[73] Assignee: **Espey Mfg & Electronics Corp.,**  
Saratoga Springs, N.Y.

[\*\*] Term: **14 Years**

4,785,308 11/1988 Newcomb .  
 4,801,946 1/1989 Matz, Jr. .  
 4,860,022 8/1989 Dubroski .  
 5,229,782 7/1993 Hemmie et al. .  
 5,291,212 3/1994 Cox .  
 5,440,318 8/1995 Butland et al. .  
 5,512,913 4/1996 Stanley .  
 5,894,290 4/1999 Oona et al. .... 343/840

[21] Appl. No.: **29/101,364**

[22] Filed: **Mar. 1, 1999**

[51] **LOC (7) Cl.** ..... **14-03**

[52] **U.S. Cl.** ..... **D14/231**

[58] **Field of Search** ..... D14/230-238;  
 343/702, 833, 712, 872, 908, 878, 840,  
 725, 870, 805, 726, 786, 823, 795, 713,  
 708, 882, 714, 916

### OTHER PUBLICATIONS

Microwave Antenna Theory and Design, M.I.T. Radiation Laboratory Series, vol. 12, 1st Ed., McGraw-Hill, NY, 1949, pp. 449-450.

Andrew Gridpak Antennas Brochure, pp. 1-8, Bulletin R1-20-30 (Apr. 1994), Andrew Corp., IL, USA.

Radar Scanners and Radomes, M.I.T. Radiation Laboratory Series, vol. 26, 1st Ed., McGraw-Hill, NY, 1948, pp. 22-25, 33-39.

*Primary Examiner*—Louis S. Zarfes  
*Assistant Examiner*—Gregory Andoll  
*Attorney, Agent, or Firm*—Weingram & Associates P.C.

### [56] References Cited

#### U.S. PATENT DOCUMENTS

D. 269,009 5/1983 Mann et al. .  
 D. 275,100 8/1984 Mann et al. .  
 D. 275,197 8/1984 Feagle .  
 D. 363,288 10/1995 Brehmer et al. .... D14/230  
 D. 382,566 8/1997 Schrum et al. .  
 741,622 10/1903 Brown .  
 2,423,648 7/1947 Hansell .  
 2,452,822 11/1948 Wolf ..... 343/916  
 2,530,098 11/1950 Van Atta .  
 2,615,005 10/1952 White .  
 2,703,842 3/1955 Lewis .  
 2,850,735 9/1958 Harris .  
 3,178,713 4/1965 Yang .  
 3,445,854 5/1969 Callaghan .  
 4,160,980 7/1979 Murray .  
 4,405,928 9/1983 Elsbernd .  
 4,598,297 7/1986 Hawkins .  
 4,647,943 3/1987 Metcalfe .  
 4,672,385 6/1987 Prindle .  
 4,710,777 12/1987 Halverson .

### [57] CLAIM

The ornamental design for a parabolic slat antenna, as shown and described.

### DESCRIPTION

FIG. 1 is a front perspective view showing our new design for a parabolic slat antenna according to the present invention;

FIG. 2 is a front plan view thereof;

FIG. 3 is a side elevational view thereof;

FIG. 4 is a side elevational view thereof opposite to that shown in FIG. 3;

FIG. 5 is a top plan view thereof;

FIG. 6 is a bottom plan view thereof;

FIG. 7 is a rear plan view thereof; and,

FIG. 8 shows the interfitting of slats according to our new design for the present invention.

1 Claim, 6 Drawing Sheets

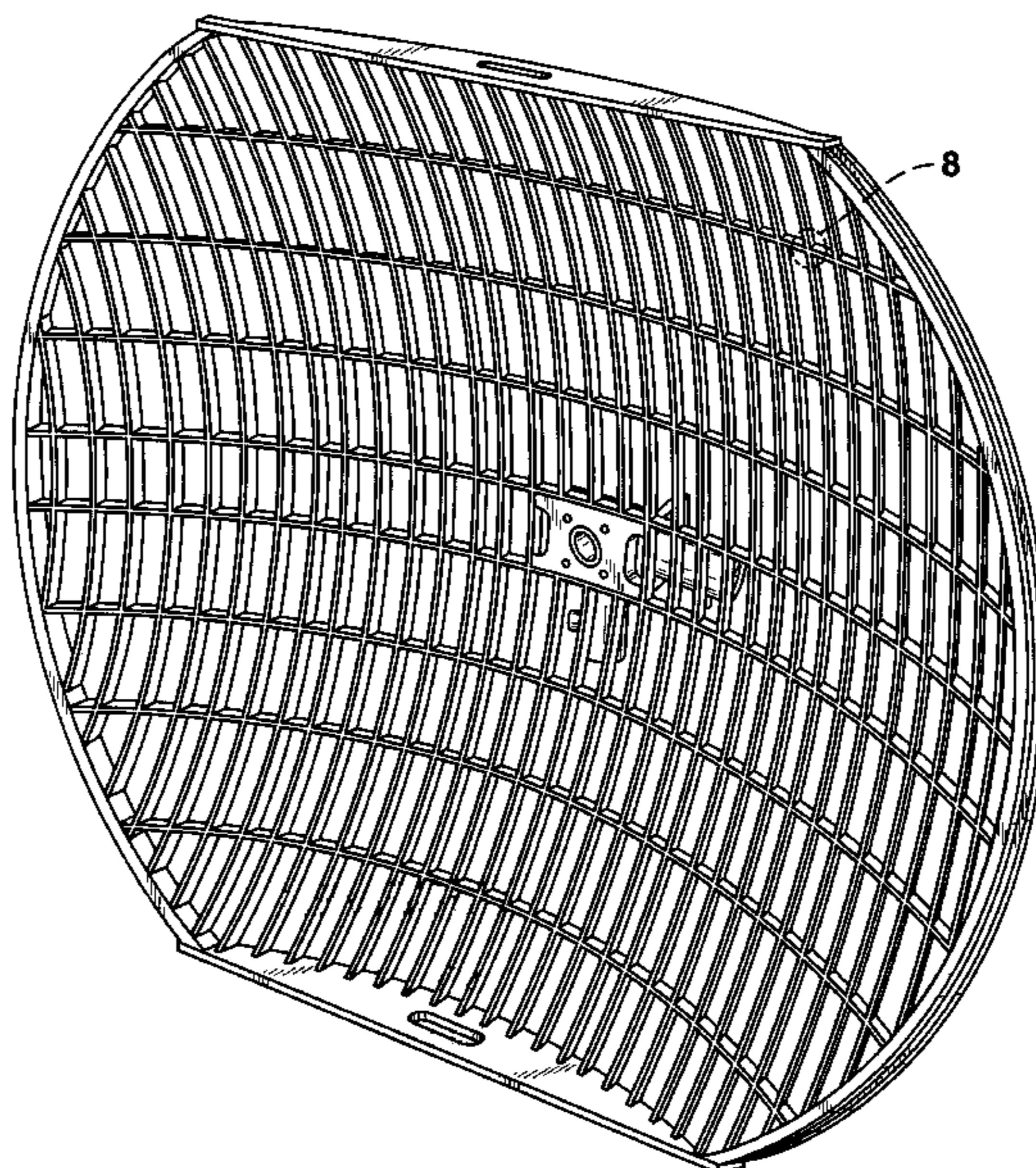
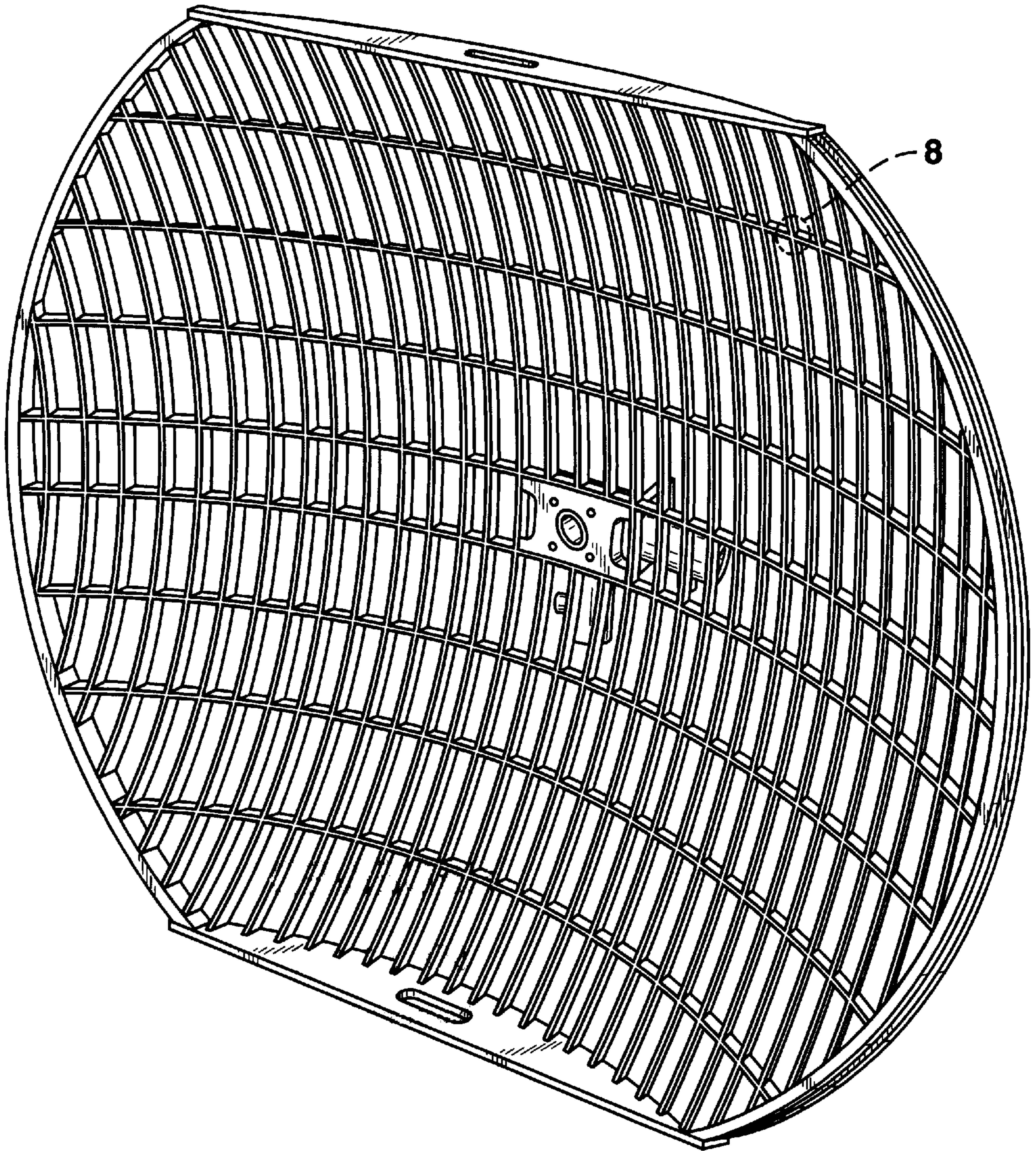


FIG. 1



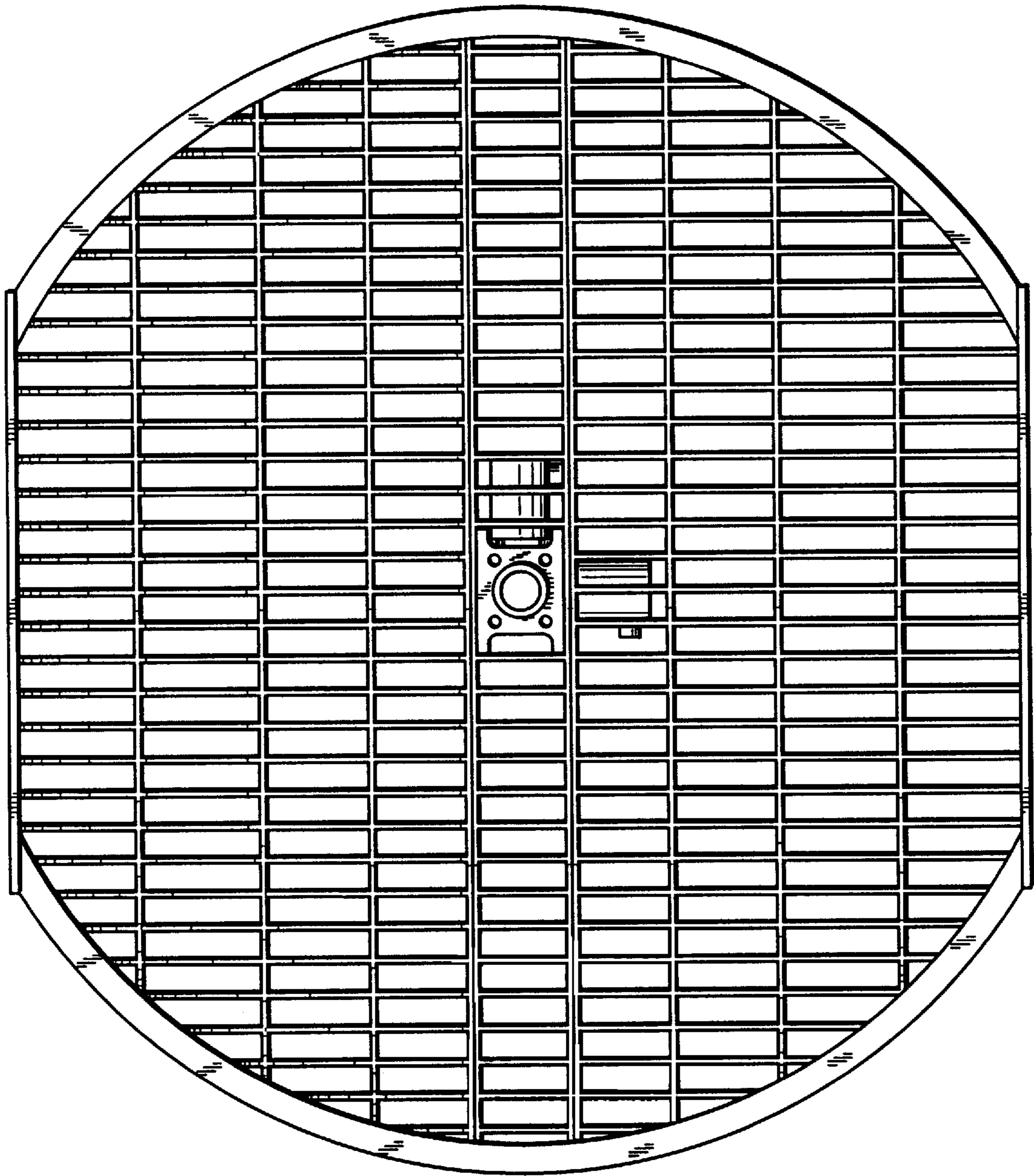


FIG. 2

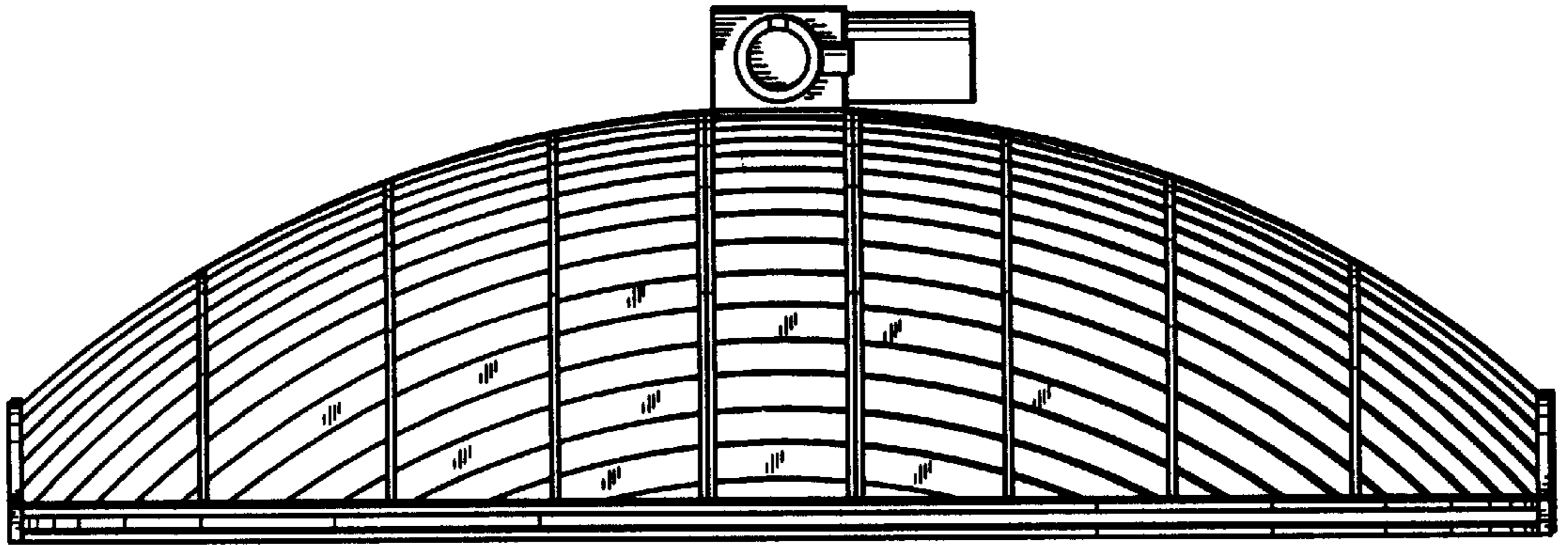


FIG. 4

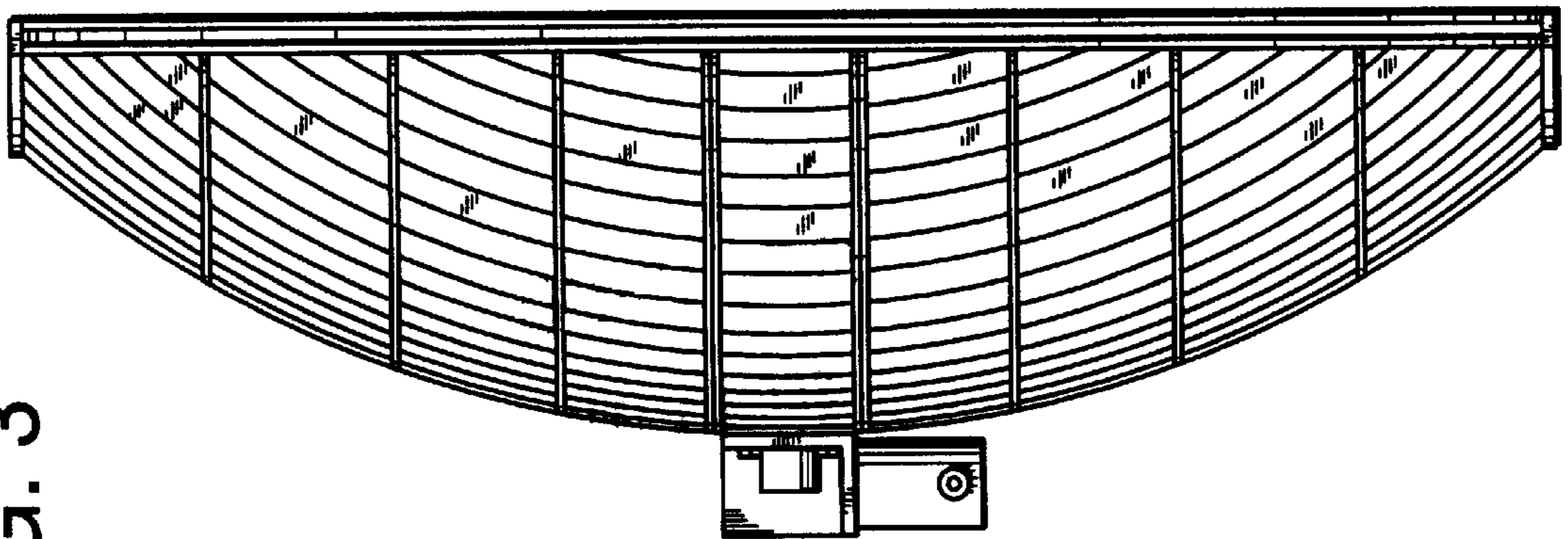


FIG. 3

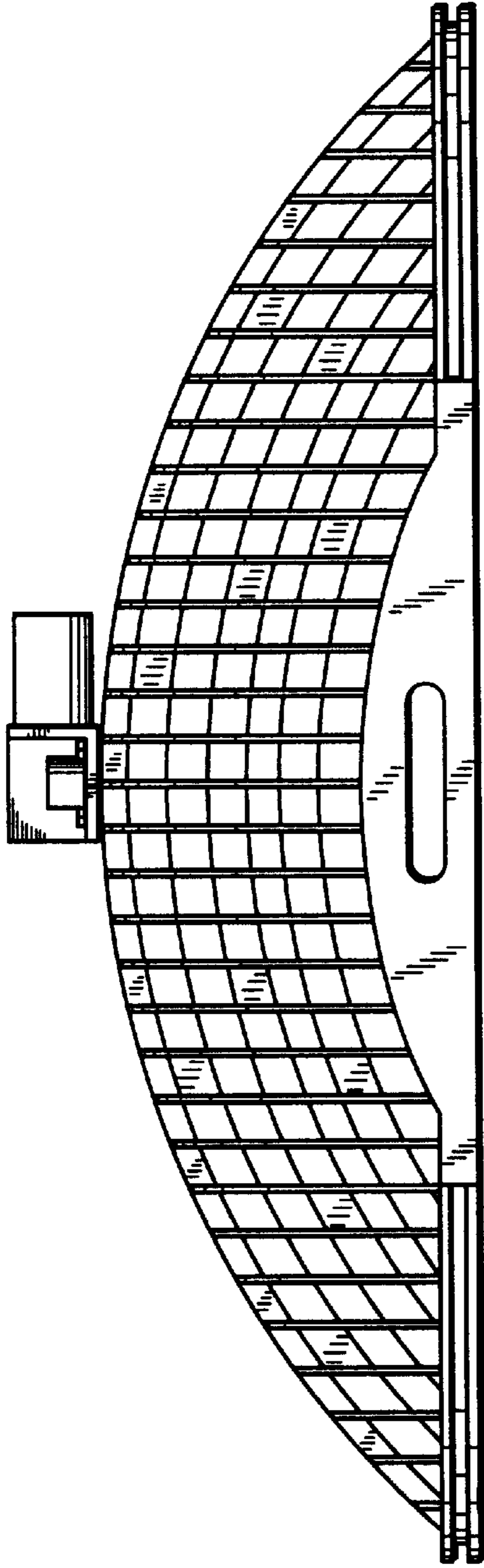


FIG. 5

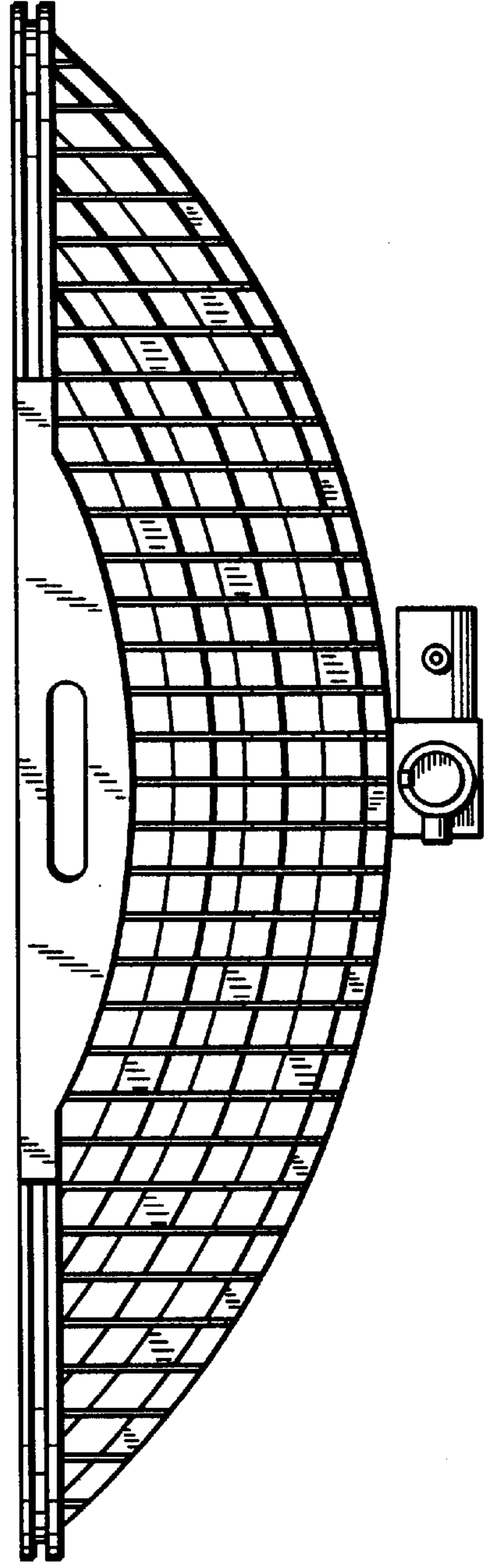


FIG. 6

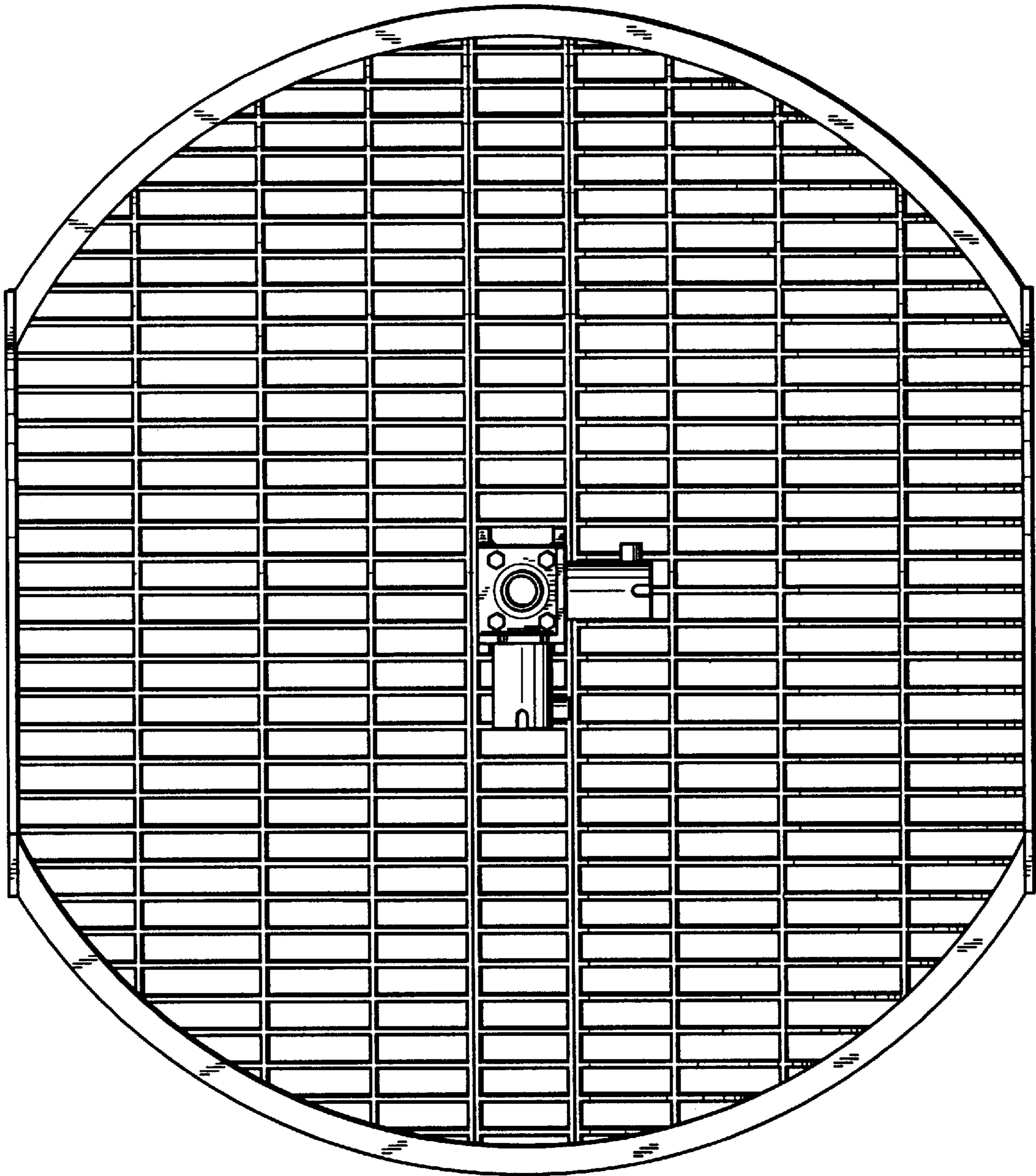


FIG. 7

FIG. 8

