



US00D418840S

United States Patent [19]

Cota et al.

[11] Patent Number: **Des. 418,840**

[45] Date of Patent: **** Jan. 11, 2000**

[54] **VEHICLE-MOUNTED ANTENNA HOUSING**

[76] Inventors: **Phillip A. Cota; Craig L. Cota**, both of 8478 State Rte. 36, Covington, Ohio 45318

[**] Term: **14 Years**

[21] Appl. No.: **29/100,685**

[22] Filed: **Feb. 16, 1999**

[51] **LOC (7) Cl.** **14-03**

[52] **U.S. Cl.** **D14/230; D14/232; D12/333**

[58] **Field of Search** D14/230, 238; 343/702, 833, 712, 872, 900, 878, 840, 725, 870, 805, 726, 786, 823, 795, 713, 708, 882, 714, 916; D12/319, 331, 333

[56] **References Cited**

U.S. PATENT DOCUMENTS

D. 229,832	1/1974	Finkel	D14/230
D. 244,040	4/1977	Pizon	D14/230
D. 245,778	9/1977	Langer	D14/230
D. 249,884	10/1978	Greenberg	D14/230
D. 303,262	9/1989	Sallus	D14/230

D. 314,366	2/1991	Waaland	D12/333
D. 345,165	3/1994	Cota et al.	D14/230
D. 347,226	5/1994	Leu	D14/234
D. 382,851	8/1997	Kuntson et al.	D12/333
4,868,577	9/1989	Wingard	343/725
5,619,217	4/1997	Mailandt et al.	343/872

Primary Examiner—Louis S. Zarfes
Assistant Examiner—Gregory Andoll
Attorney, Agent, or Firm—William Weigl

[57] **CLAIM**

The ornamental design for a vehicle-mounted antenna housing, as shown and described.

DESCRIPTION

FIG. 1 is a top left frontal perspective view of the vehicle-mounted antenna housing.

FIG. 2 is a top left rear perspective view of the antenna.

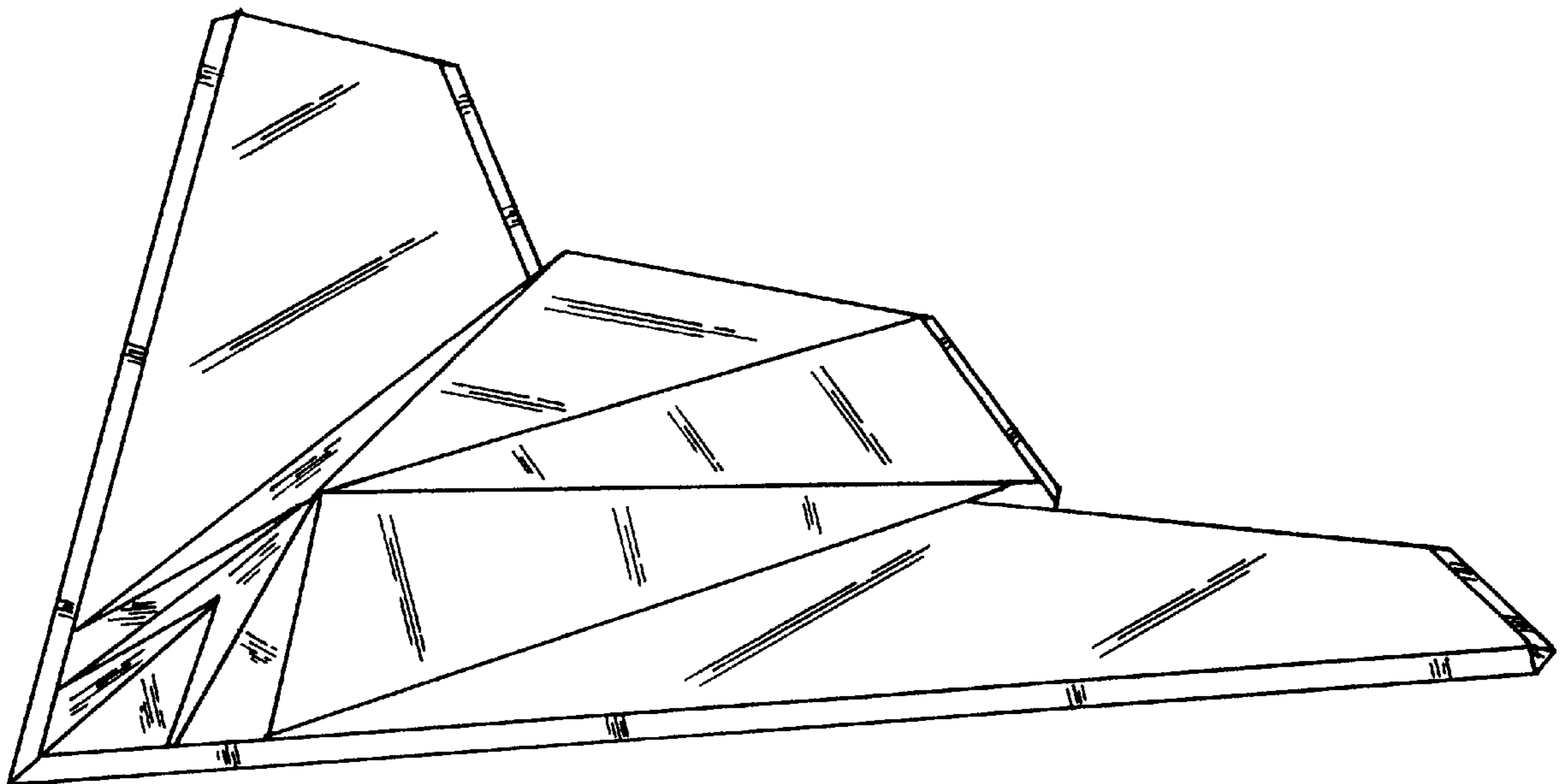
FIG. 3 is a bottom left-of-center perspective view of the antenna.

FIG. 4 is a top view of the antenna.

FIG. 5 is a front view of the antenna; and,

FIG. 6 is a left side view of the antenna.

1 Claim, 3 Drawing Sheets



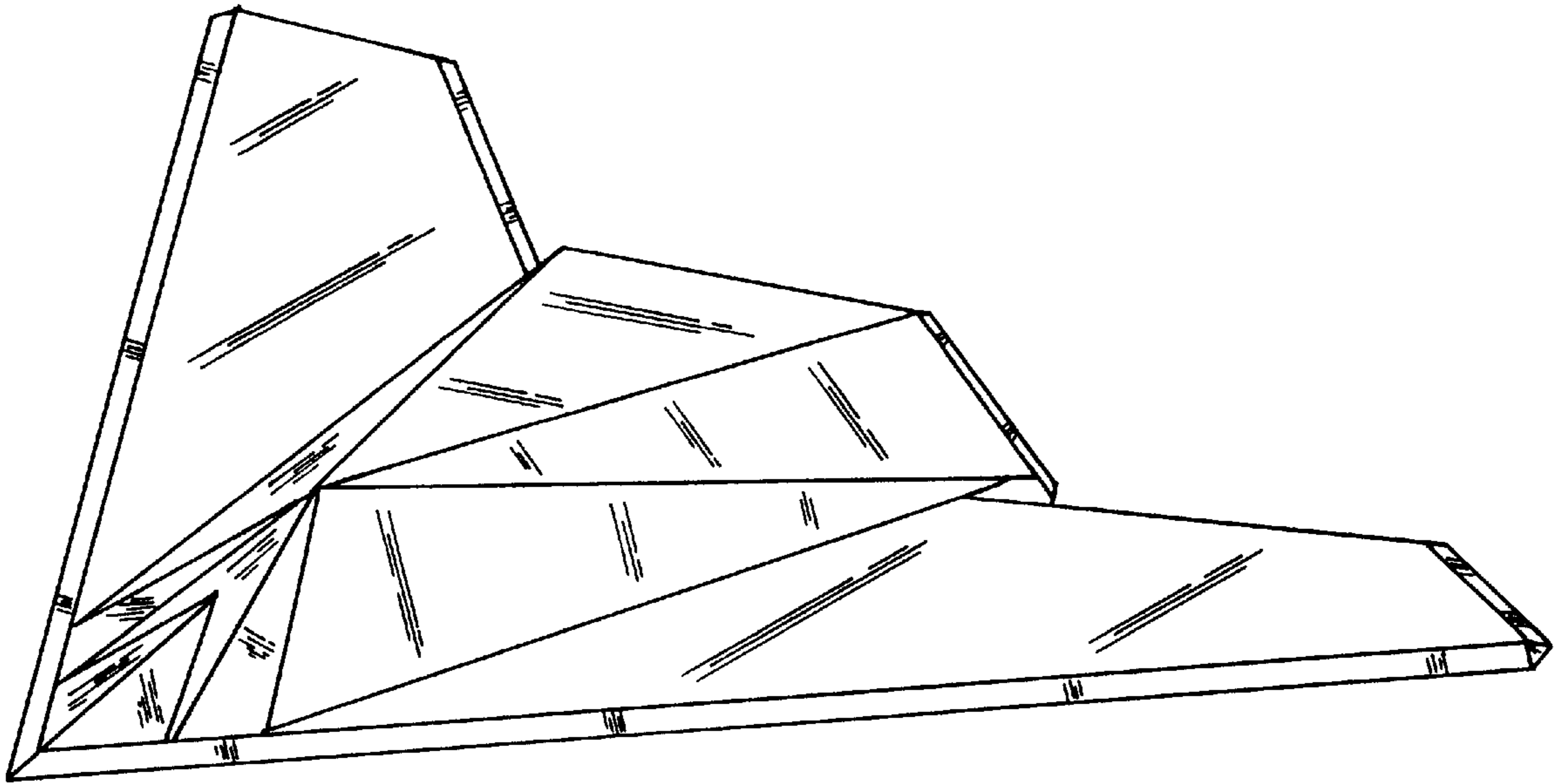


FIG. 1

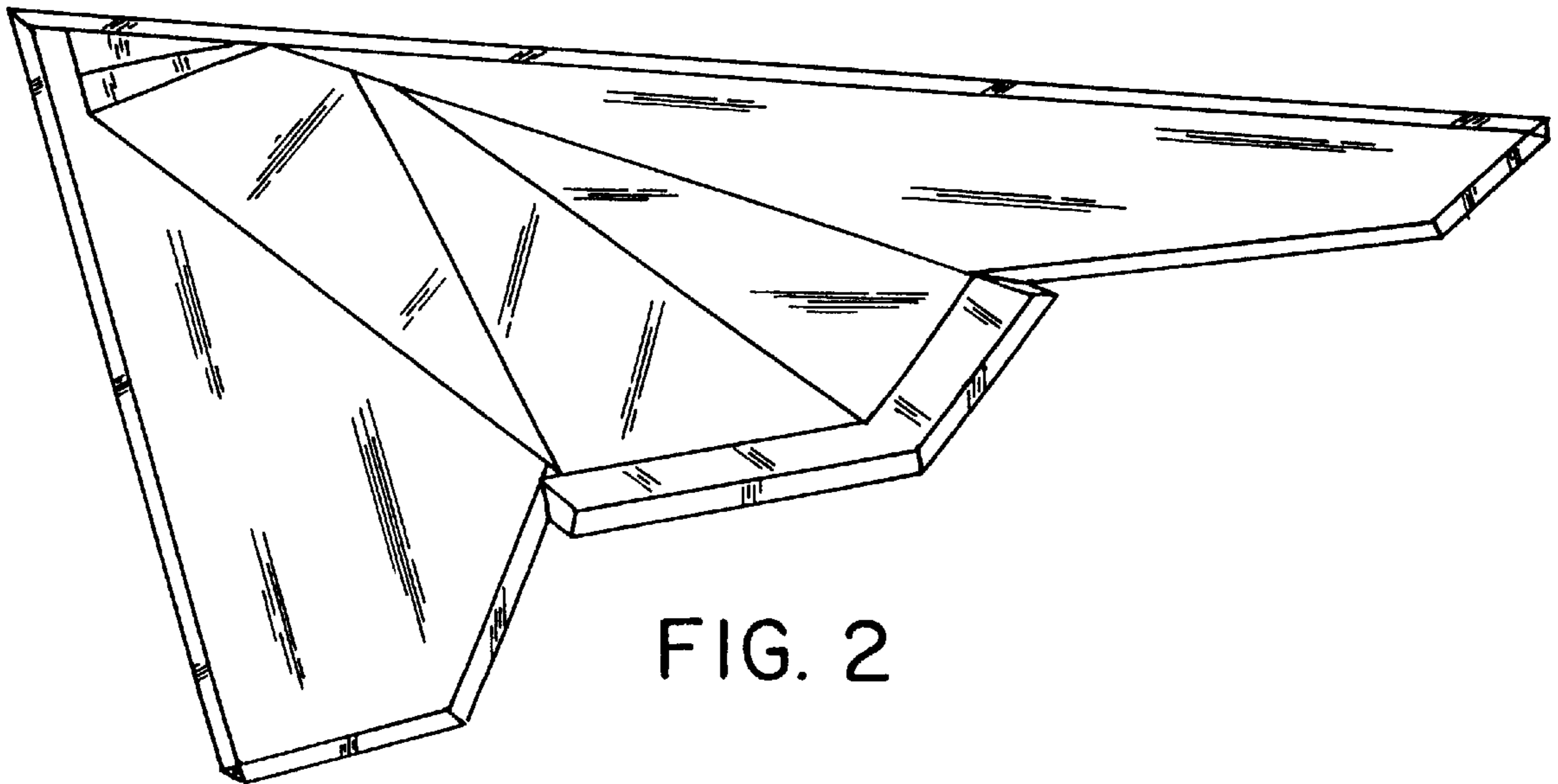


FIG. 2

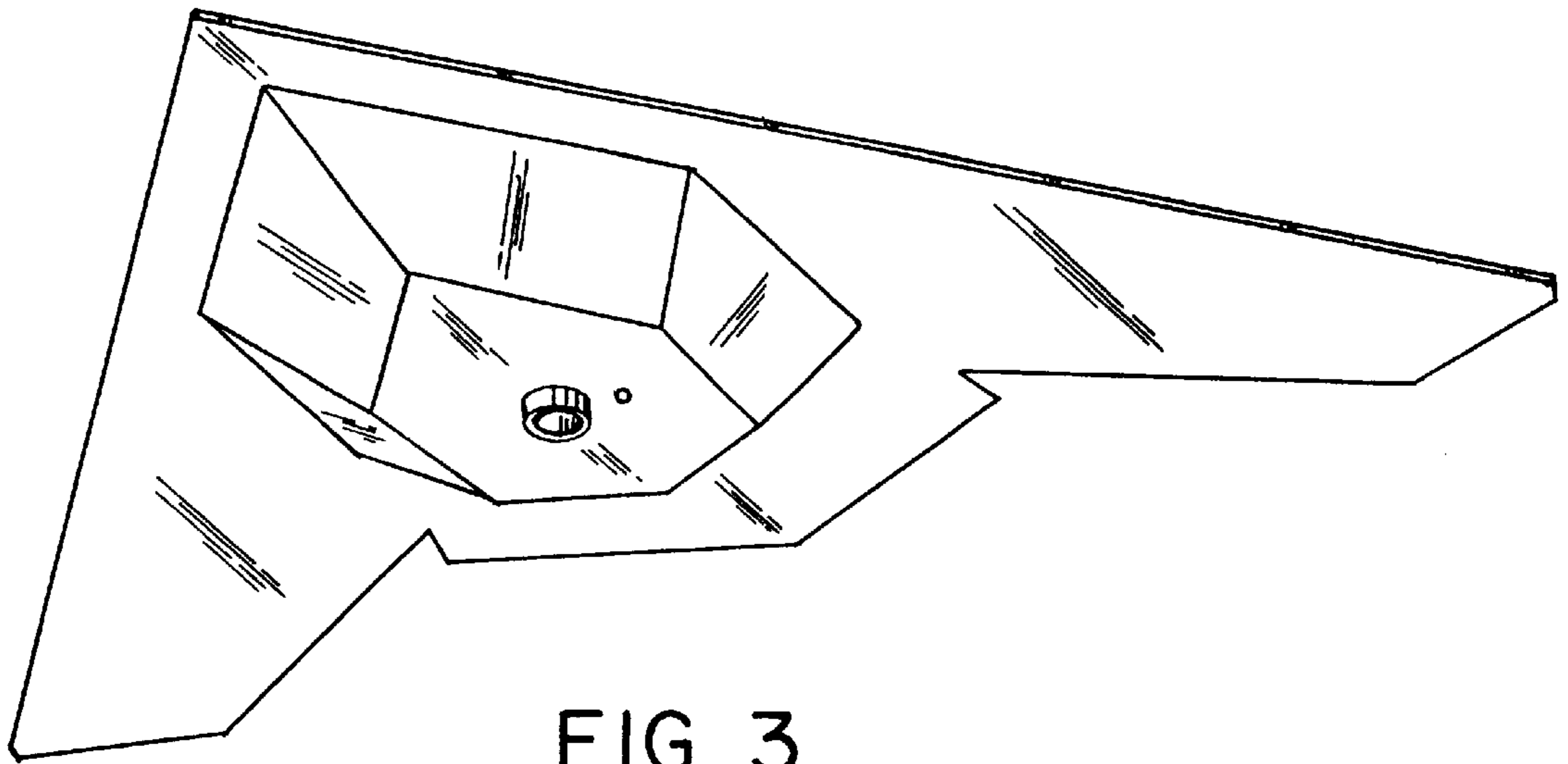


FIG. 3

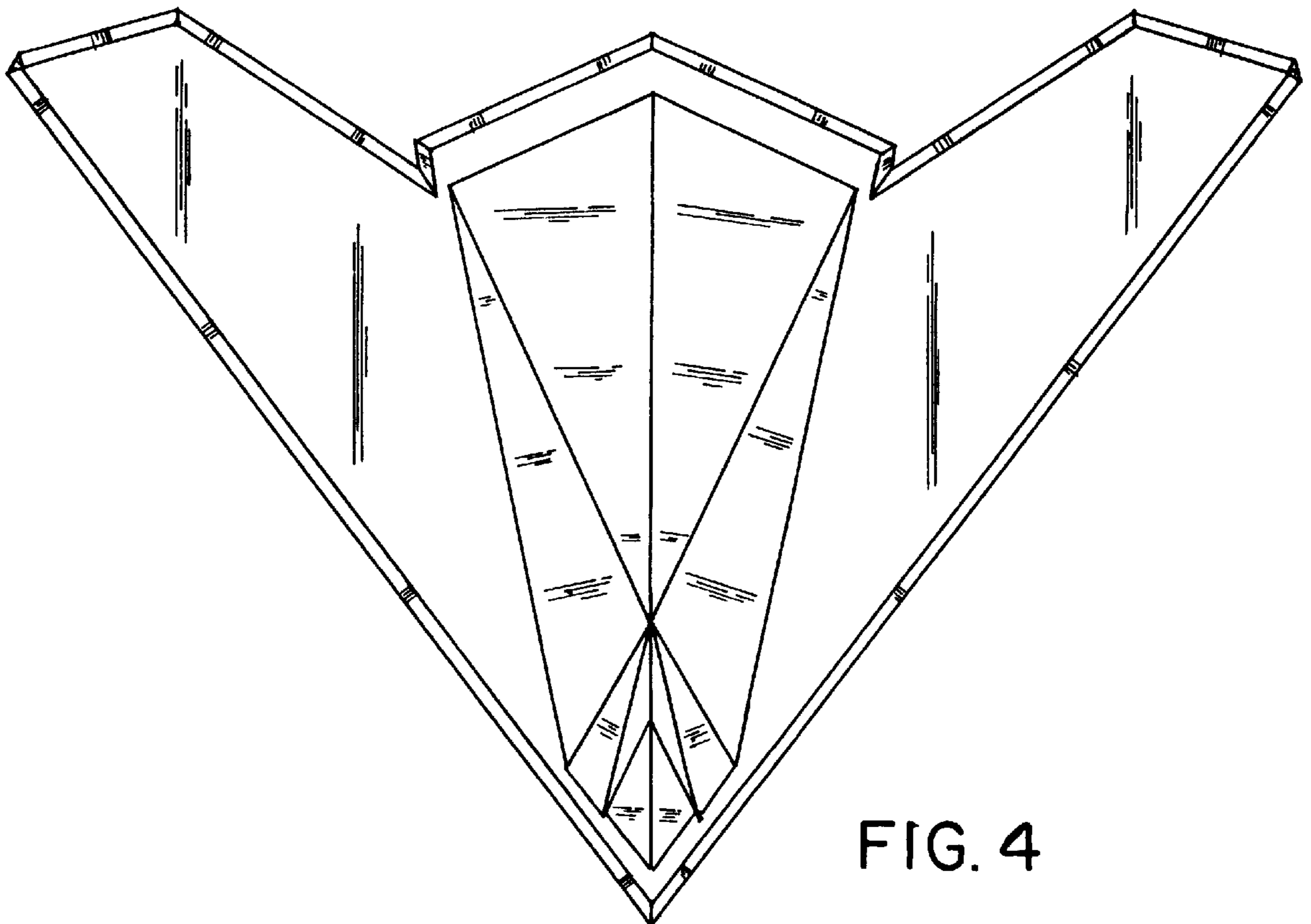


FIG. 4

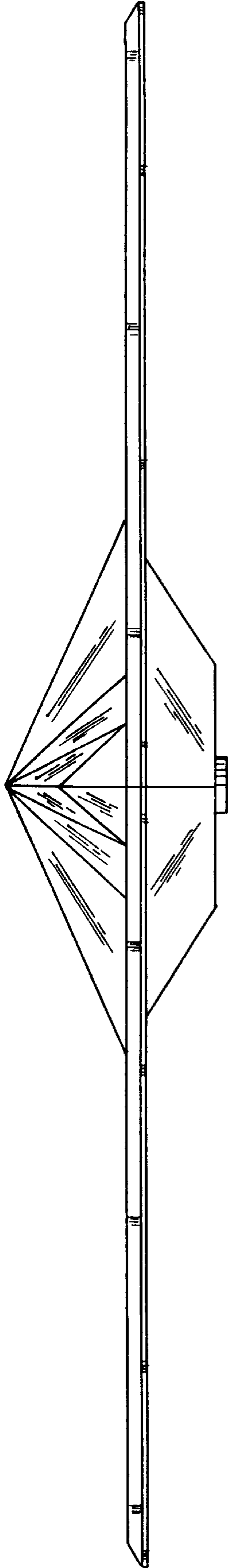


FIG. 5

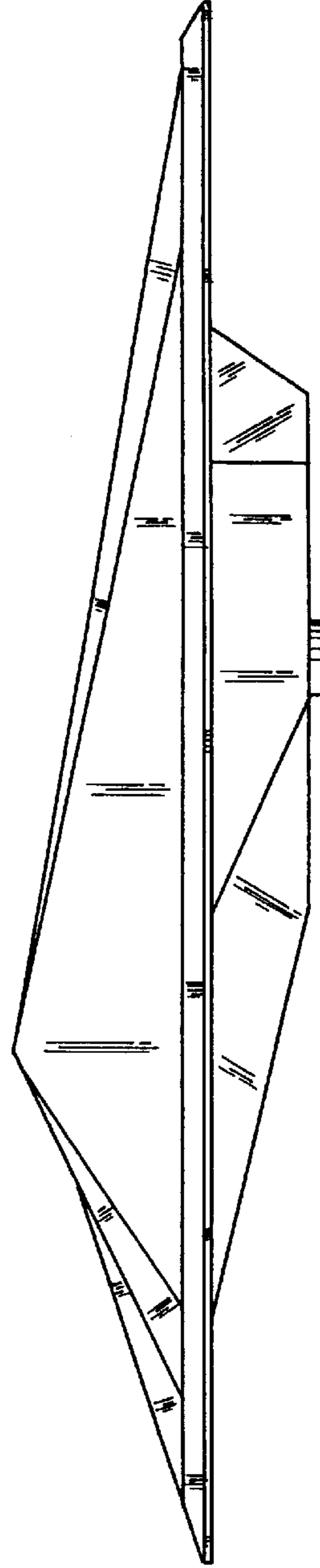


FIG. 6