



US00D418839S

United States Patent [19]

[11] Patent Number: **Des. 418,839**

Brunner et al.

[45] Date of Patent: **** Jan. 11, 2000**

[54] **ANTENNA ENCLOSURE FOR WIRELESS COMPUTER NETWORK**

4,992,799	2/1991	Garay	343/702
5,019,833	5/1991	Nonka	343/840
5,394,161	2/1995	Ubaldo et al.	343/702
5,467,477	11/1995	Furuta et al.	343/702

[75] Inventors: **Robert D. Brunner**, Los Gatos;
Barbara Saucedo, Palo Alto, both of Calif.

Primary Examiner—Louis S. Zarfes
Assistant Examiner—Gregory Andoll
Attorney, Agent, or Firm—Blakely, Sokoloff, Taylor & Zafman LLP

[73] Assignee: **Sharewave, Inc.**, El Dorado Hills, Calif.

[**] Term: **14 Years**

[57] CLAIM

[21] Appl. No.: **29/091,850**

The ornamental design for an antenna enclosure for a wireless computer network, as shown.

[22] Filed: **Aug. 5, 1998**

DESCRIPTION

[51] **LOC (7) Cl.** **14-03**

[52] **U.S. Cl.** **D14/230**

[58] **Field of Search** D14/230–238;
343/702, 812, 805, 823, 793, 840, 882

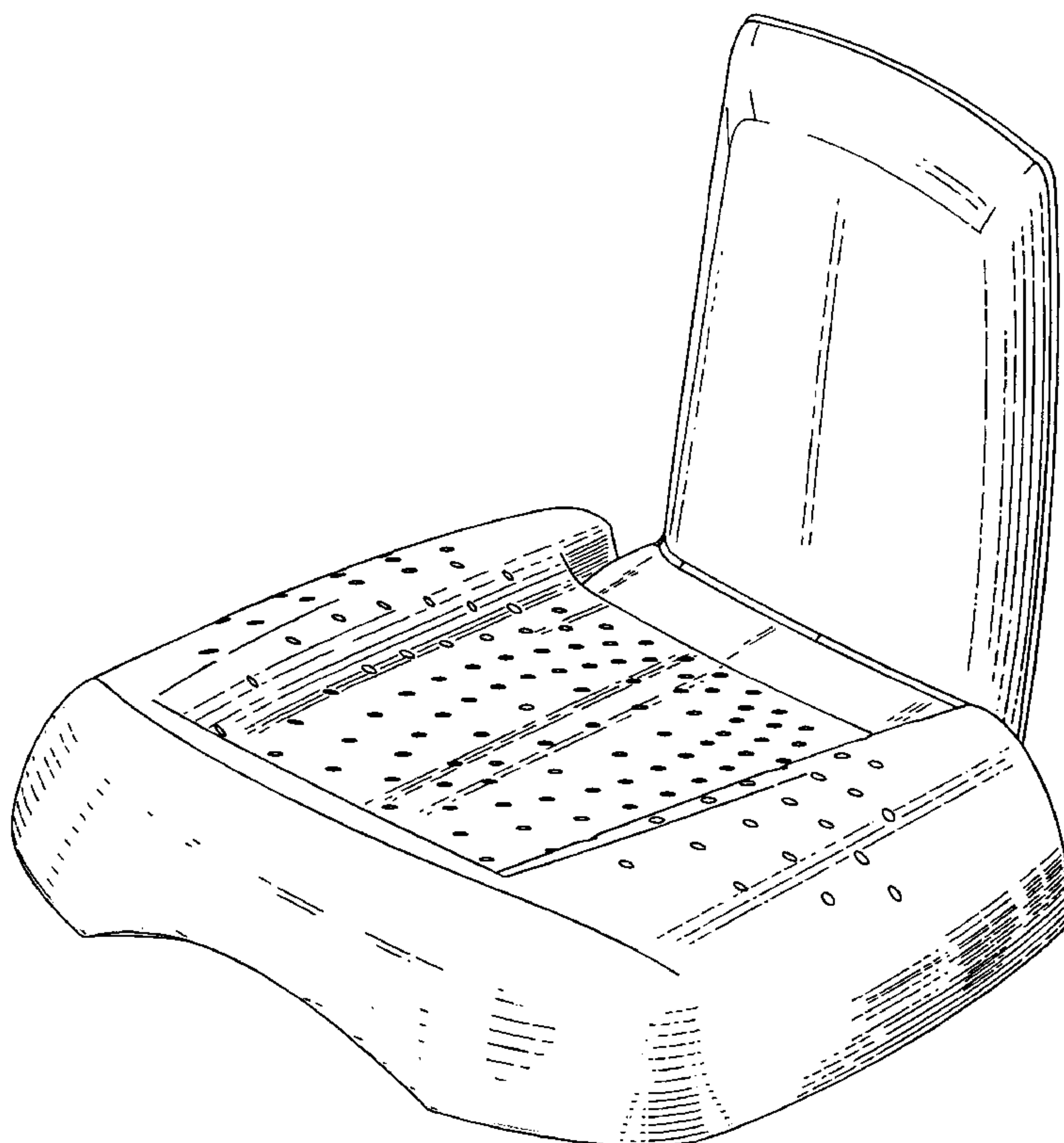
FIG. 1 is a front side and top perspective view of an antenna enclosure for a wireless computer network with the antenna thereof folded up showing the design;
FIG. 2 is a top plan view thereof showing the antenna folded up;
FIG. 3 is a top plan view thereof showing the antenna folded down;
FIG. 4 is a right side elevational view thereof showing the antenna folded up, the left side having the same appearance;
FIG. 5 is a front elevational view thereof showing the antenna folded up;
FIG. 6 is a rear elevational view thereof showing the antenna folded up;
FIG. 7 is a bottom plan view thereof with the antenna folded up; and,
FIG. 8 is a rear elevational view thereof showing the antenna folded down.

[56] References Cited

U.S. PATENT DOCUMENTS

D. 295,517	5/1988	Moriyama et al.	D14/235
D. 306,862	3/1990	Kent	D14/230
D. 308,204	5/1990	Takizawa	D14/235
D. 310,671	9/1990	Weiss	D14/230
D. 332,262	1/1993	Borchardt	D14/230
D. 333,470	2/1993	Vong	D14/230
D. 345,362	3/1994	Kadono et al.	D14/230
D. 345,564	3/1994	Kadono et al.	D14/230
D. 345,982	4/1994	Lucey	D14/230
D. 347,010	5/1994	Emmerling	D14/230
D. 378,368	3/1997	McGreevy	D14/230
4,887,091	12/1989	Yamada	343/882

1 Claim, 8 Drawing Sheets



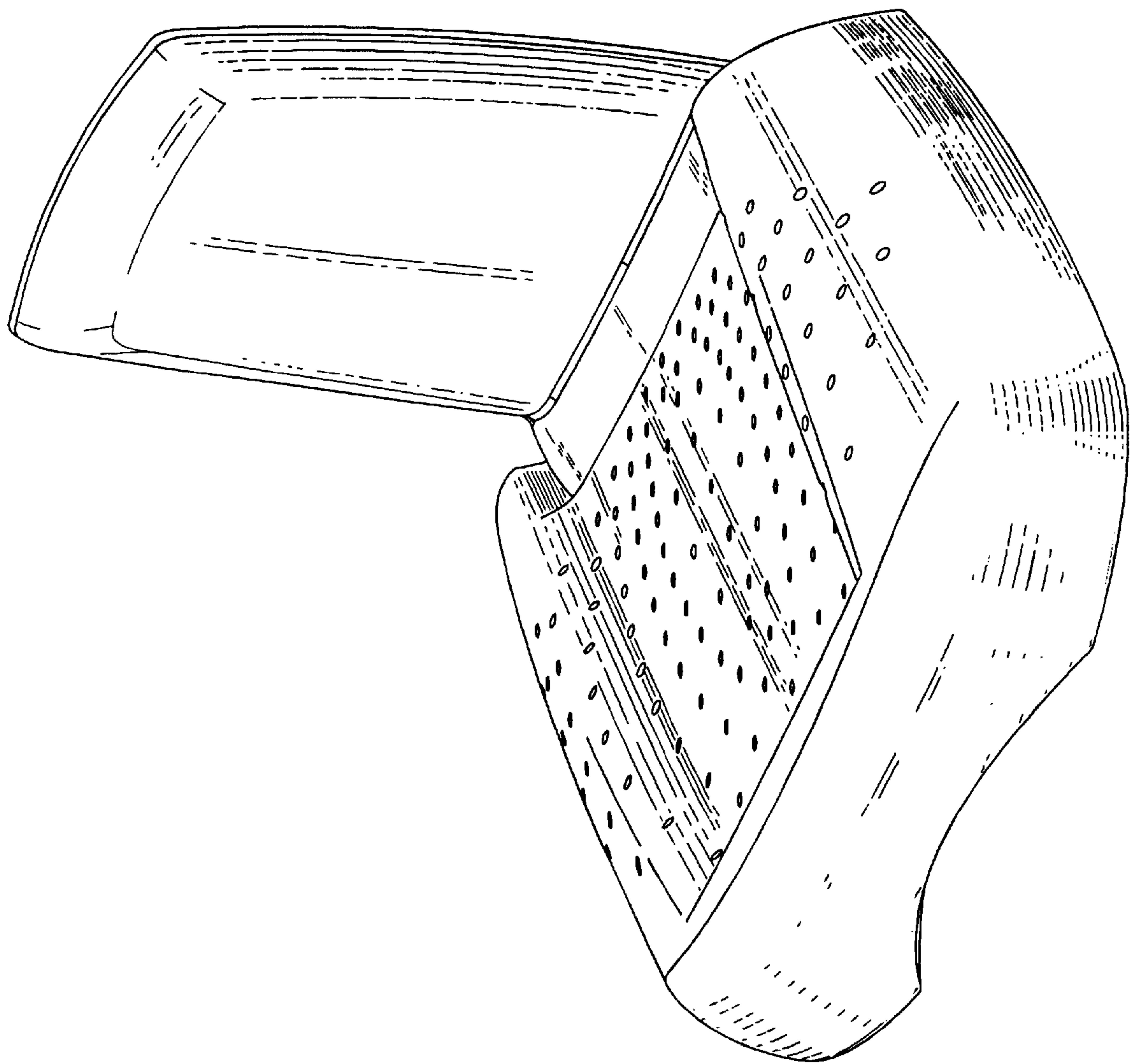


Fig. 1

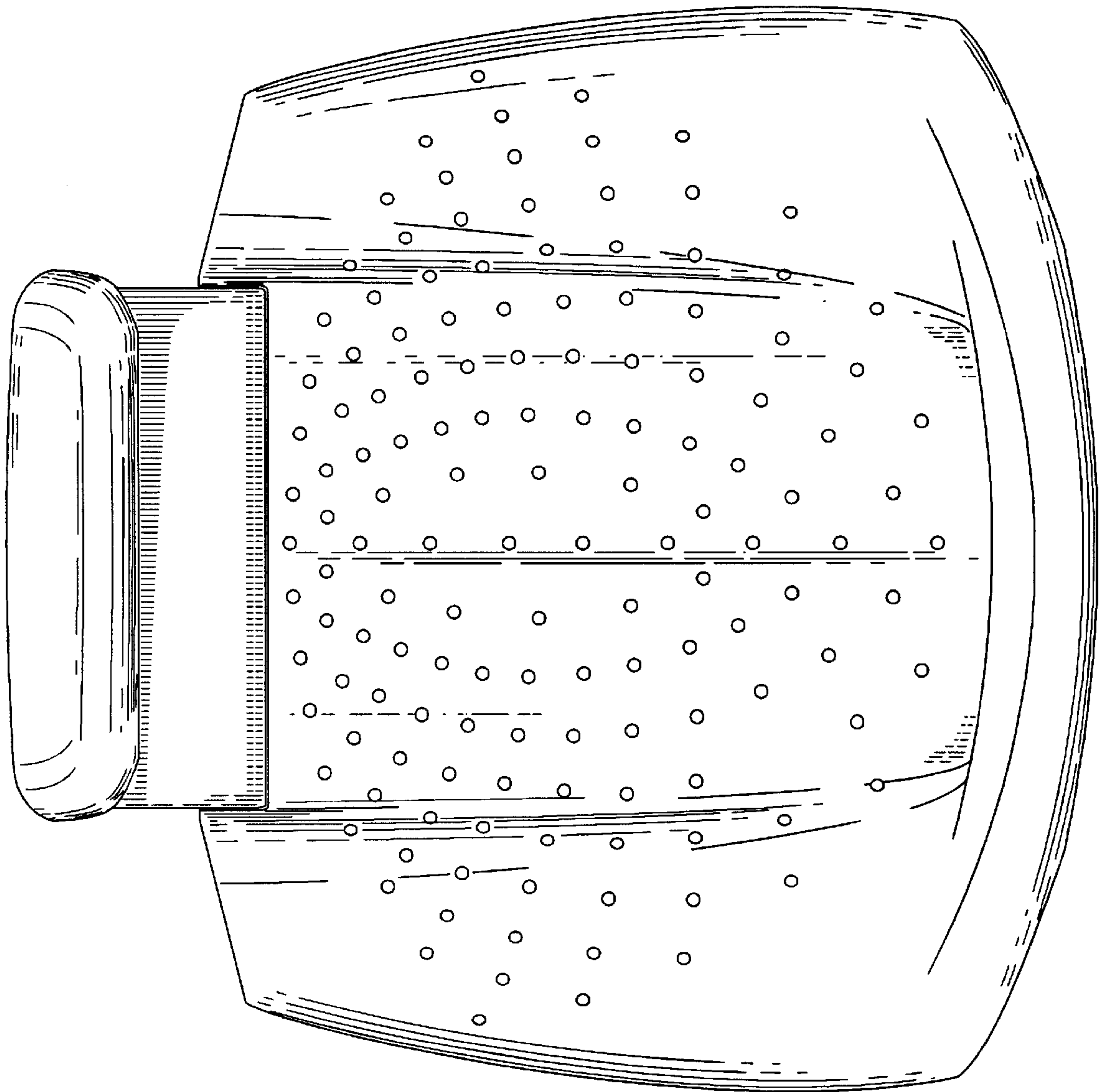


Fig. 2

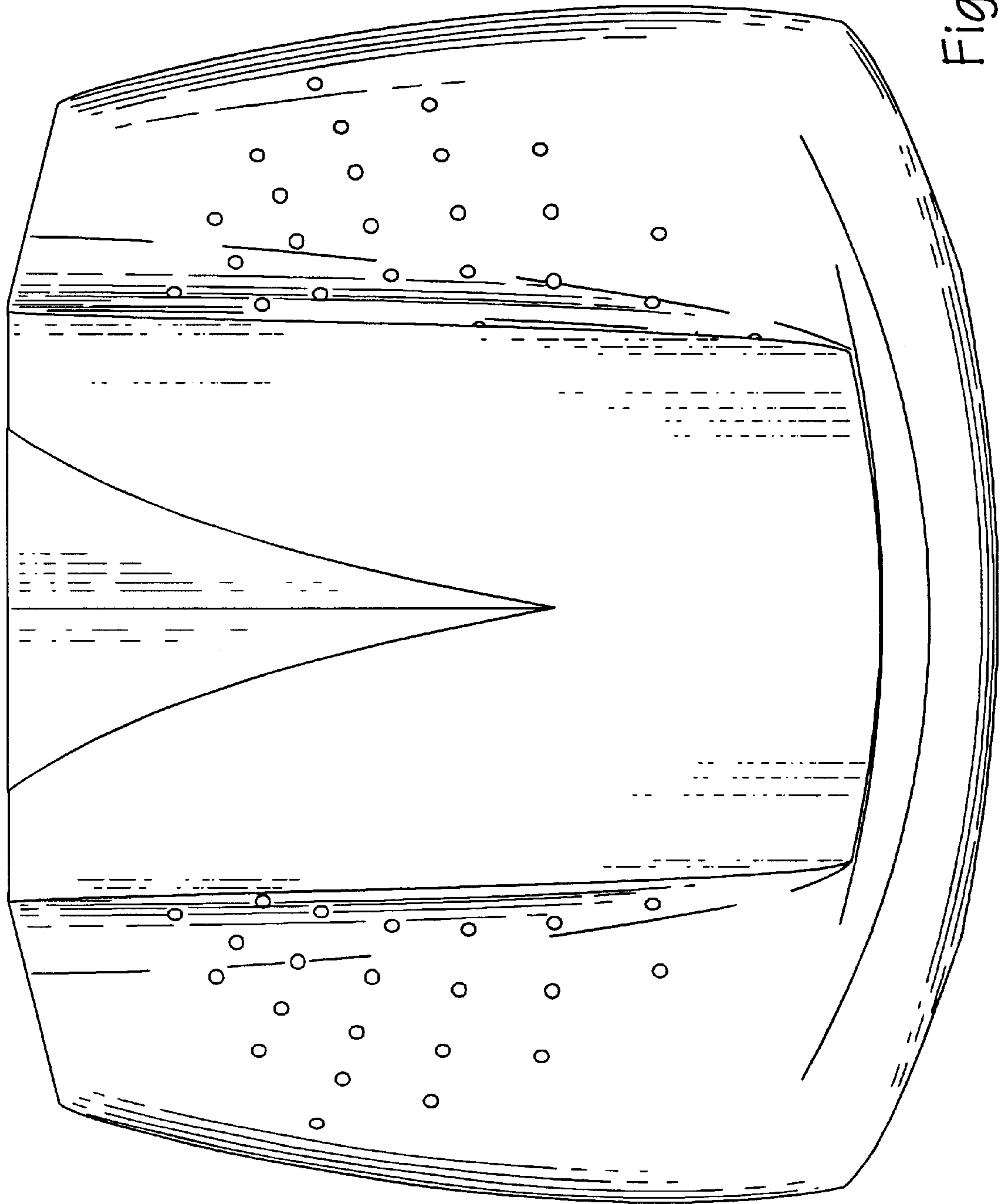


Fig. 3

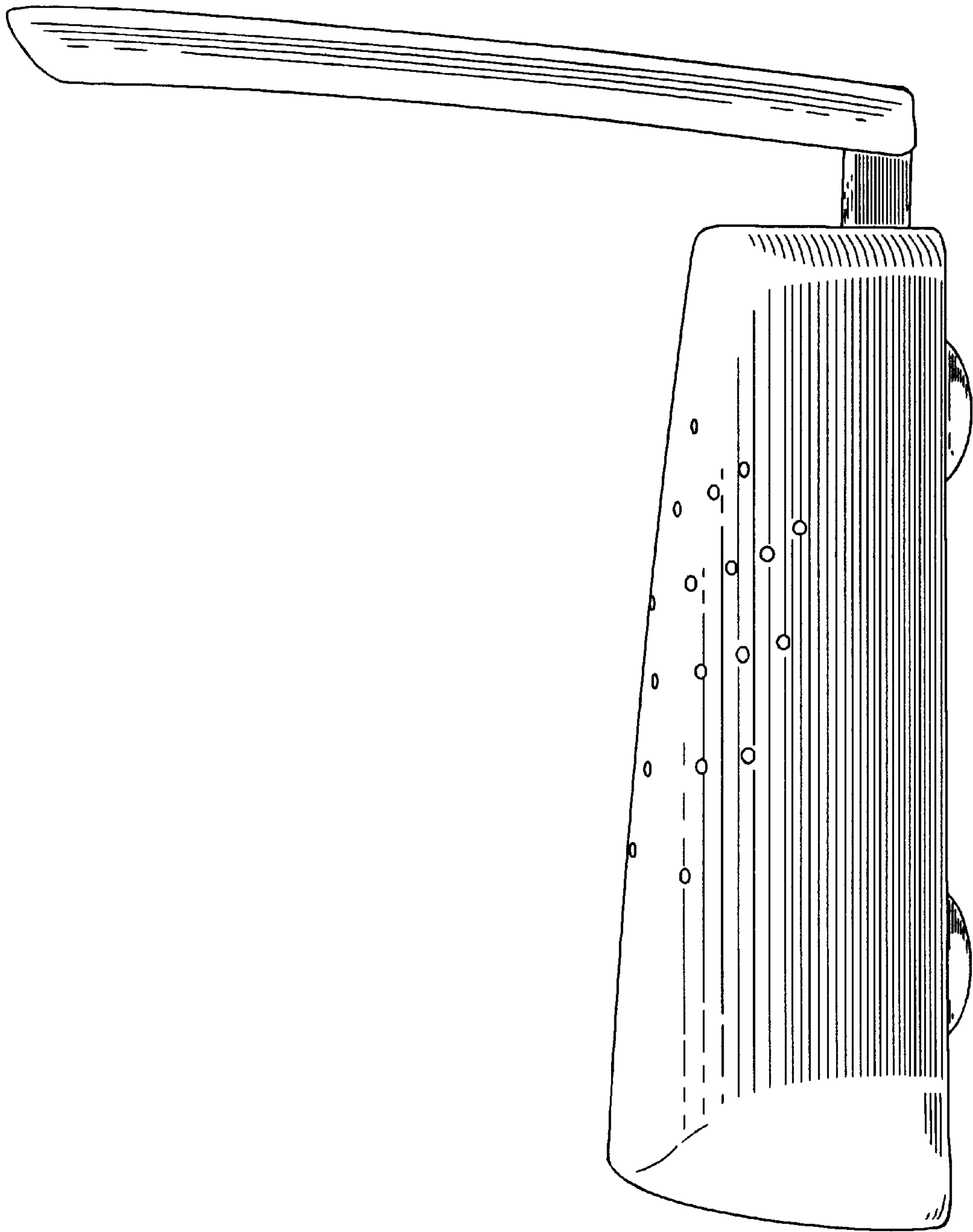


Fig. 4

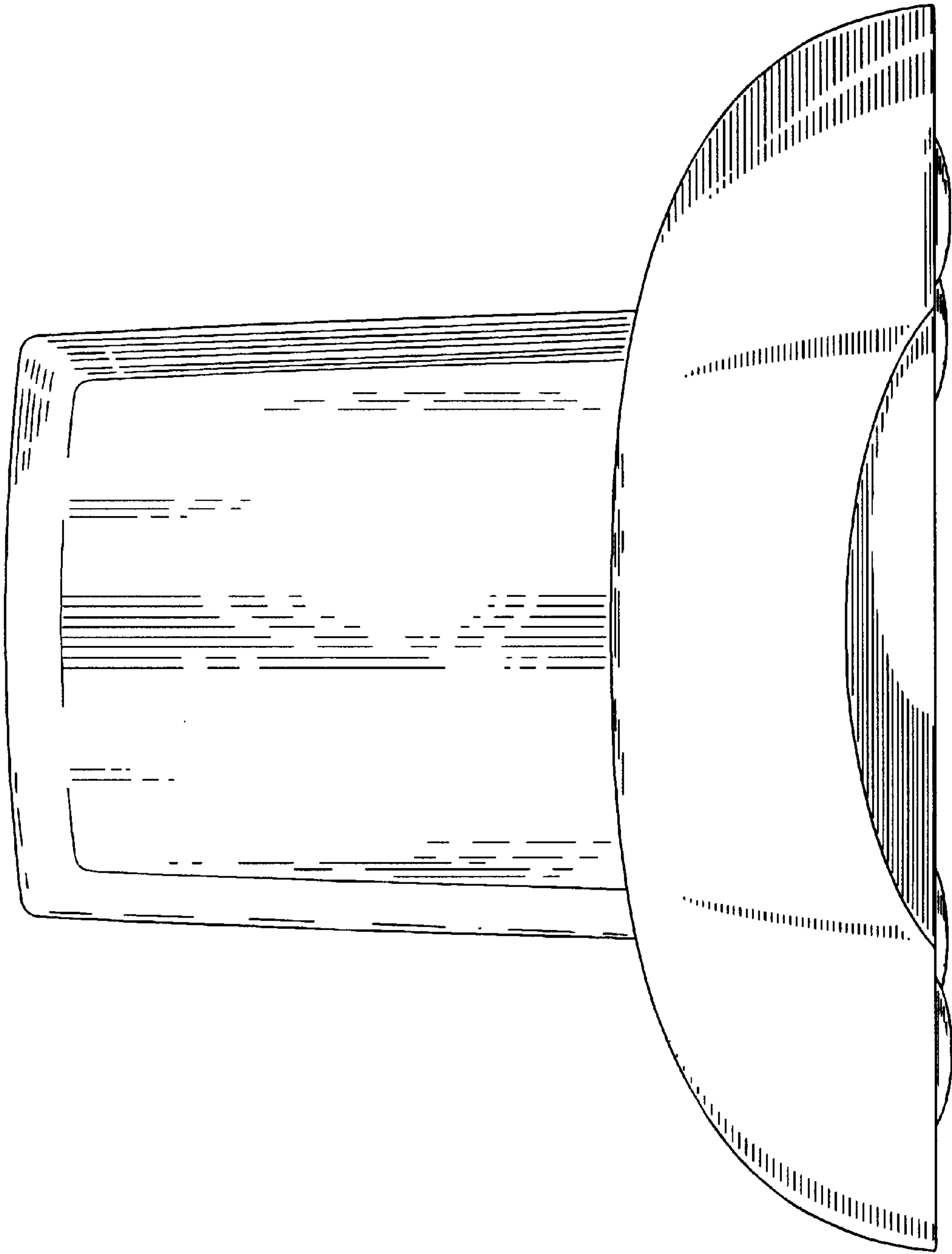


Fig. 5

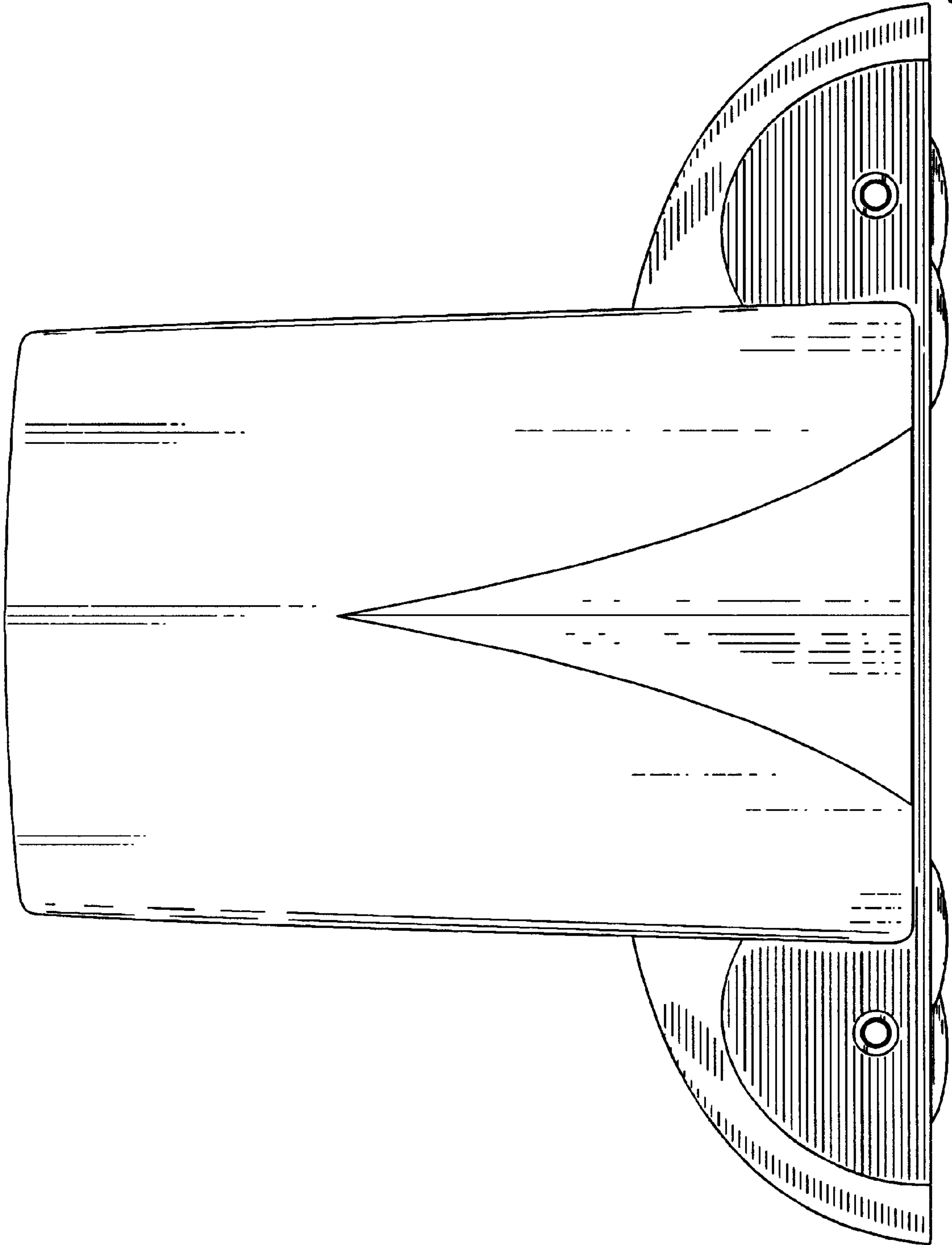


Fig. 6

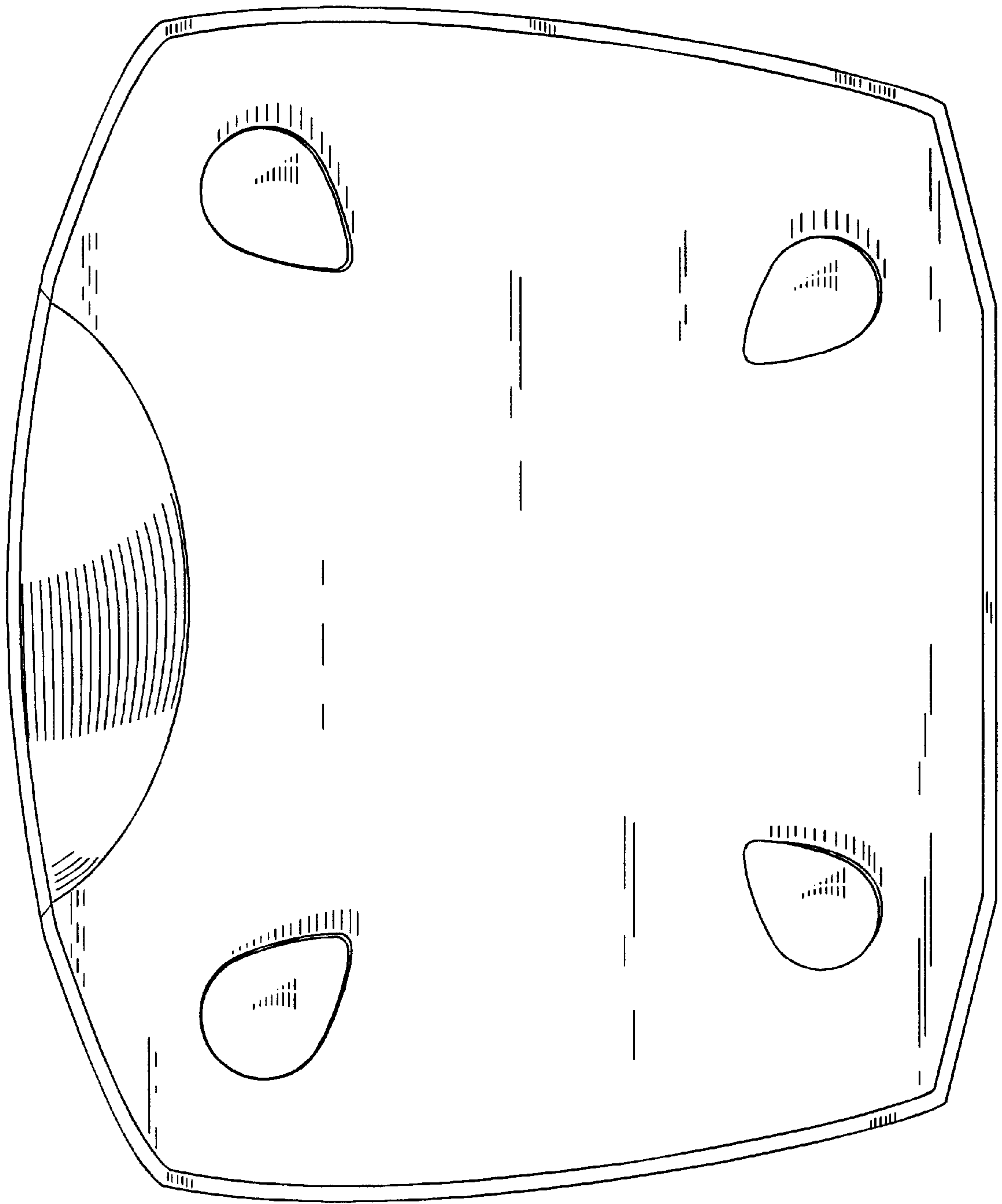


Fig. 7

Fig. 8

