



US00D418838S

United States Patent [19]

[11] Patent Number: **Des. 418,838**

Jones, Jr. et al.

[45] Date of Patent: **** Jan. 11, 2000**

[54] AUTOSOUND INSTALLATION MOUNTING DEVICE

OTHER PUBLICATIONS

[75] Inventors: **William H. Jones, Jr.**, Ormond Beach;
R. Spencer Quilling, II, Glenwood,
both of Fla.

Metra, 1995 Autosound Installation Systems Catalog, Jan., 1995, pp. 30-62.

Crutchfield, Special Gift Supplement to the Fall 1996/
Winter 1997 Catalog, 1996-1997, Cover page and p. 30.

[73] Assignee: **Metra Electronics Corporation**, Holly Hill, Fla.

Primary Examiner—Nanda Bondade
Attorney, Agent, or Firm—Fitzpatrick, Cella, Harper & Scinto

[**] Term: **14 Years**

[57] CLAIM

[21] Appl. No.: **29/091,457**

The ornamental design for an autosound installation mounting device, as shown and described.

[22] Filed: **Jul. 30, 1998**

DESCRIPTION

Related U.S. Application Data

[62] Division of application No. 29/064,737, Jan. 9, 1997, Pat. No. Des. 401,591.

FIG. 1 is a right, front perspective view of an autosound installation mounting device showing our new design;

FIG. 2 is a front elevation view of FIG. 1;

FIG. 3 is a top plan view of FIG. 1;

FIG. 4 is a right side elevation view of FIG. 1, the left side being a mirror image thereof;

FIG. 5 is a right side elevation in cross-section, along line 5-5 of FIG. 2, to better illustrate certain features of the disclosed design;

FIG. 6 is a bottom plan view of FIG. 1; and,

FIG. 7 is a rear elevation view of FIG. 1.

The broken line showing of a vehicle dashboard mounting structure on FIGS. 1 and 3 through 7 is for illustrative purposes only and forms no part of the claimed design.

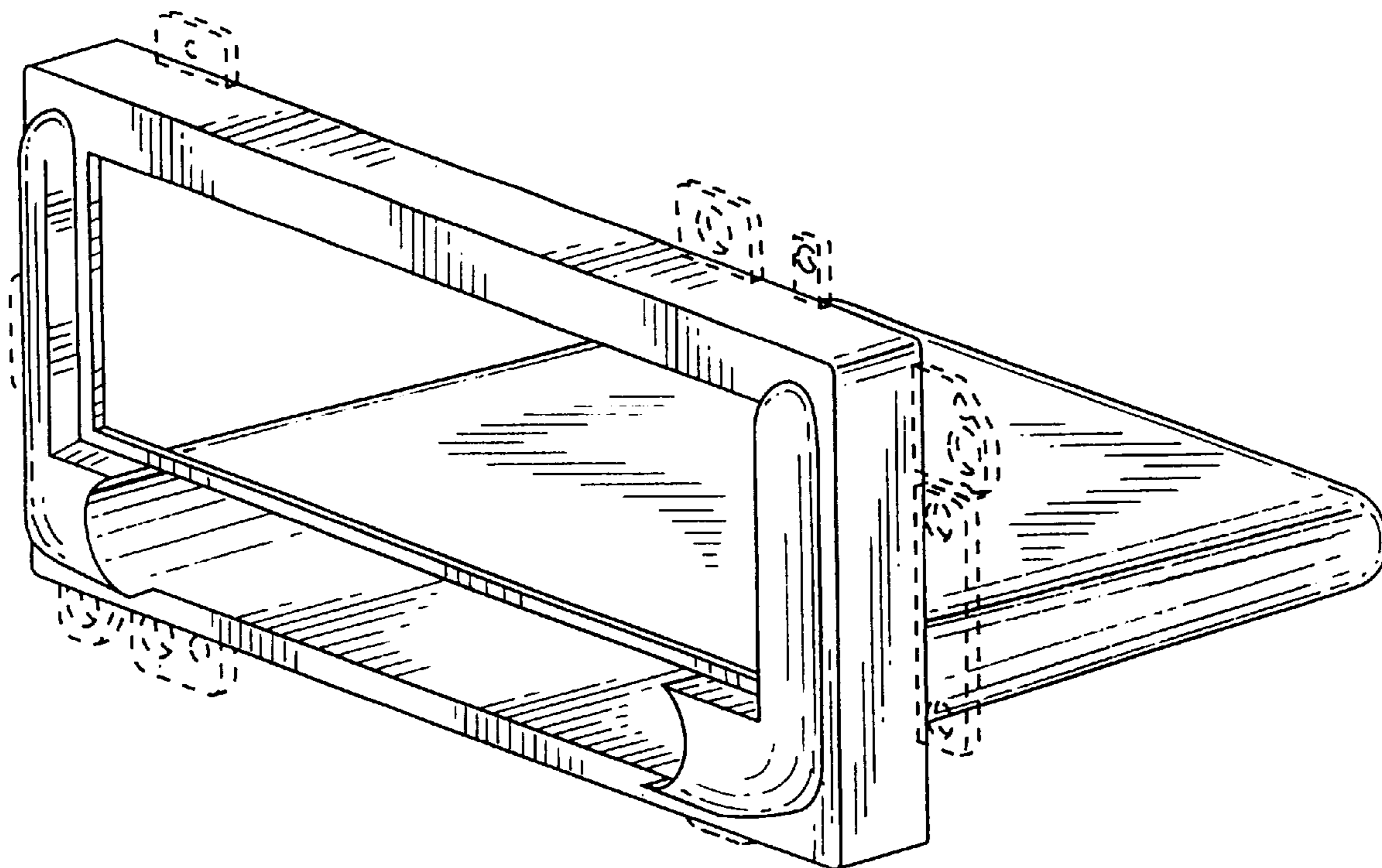
[51] **LOC (7) Cl.** **14-01**
[52] **U.S. Cl.** **D14/224; D14/258**
[58] **Field of Search** D14/204, 217,
D14/224, 229; D12/400, 412, 423; 248/27.5,
682, 686

[56] References Cited

U.S. PATENT DOCUMENTS

D. 180,746 8/1957 Oslac D14/224
D. 260,628 9/1981 McKeel D12/415
D. 281,871 12/1985 Heiman D14/224 X
D. 319,239 8/1991 Kovner D14/224 X
4,624,433 11/1986 Henneberg 248/682 X

1 Claim, 3 Drawing Sheets



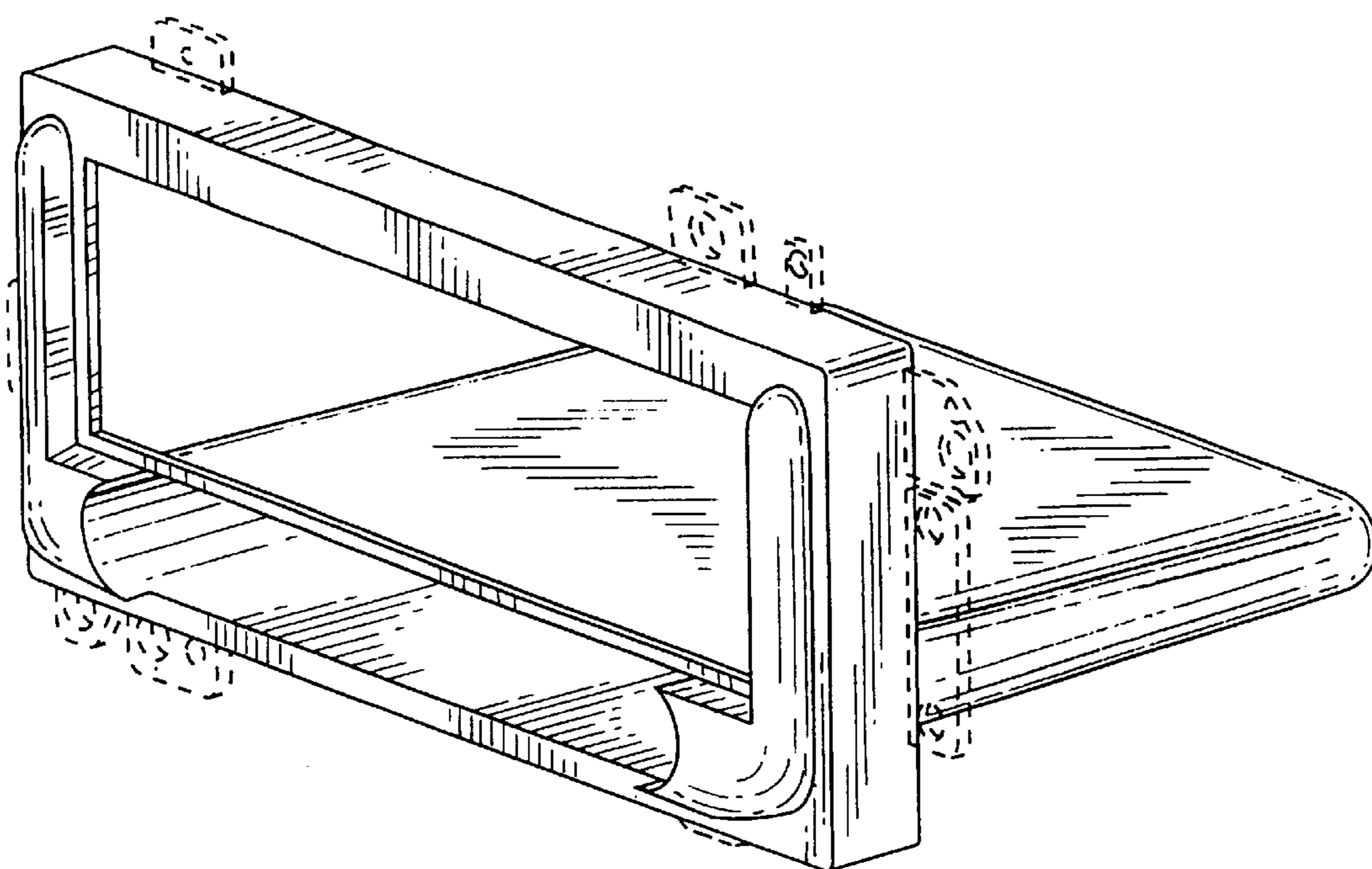


FIG. 1

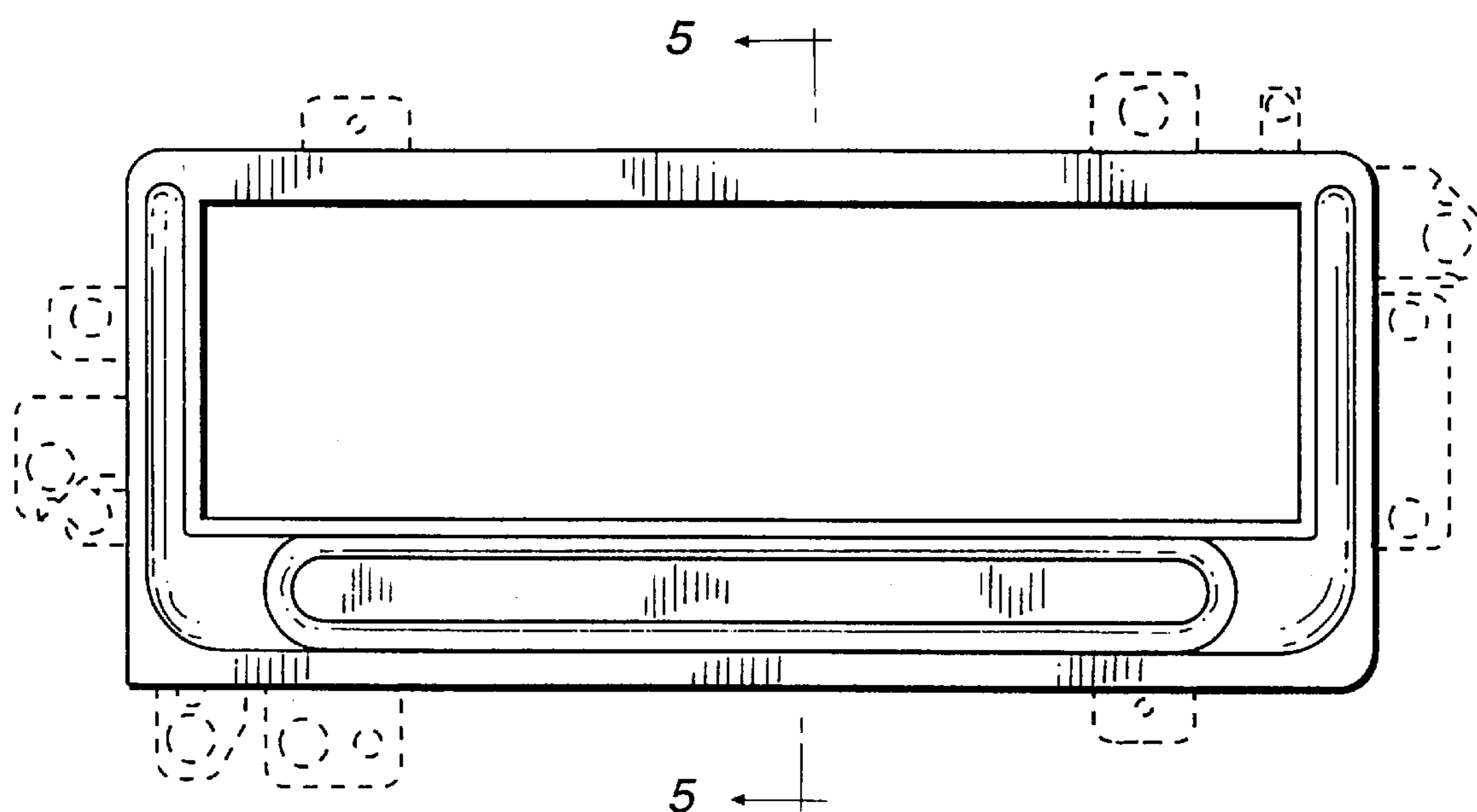


FIG. 2

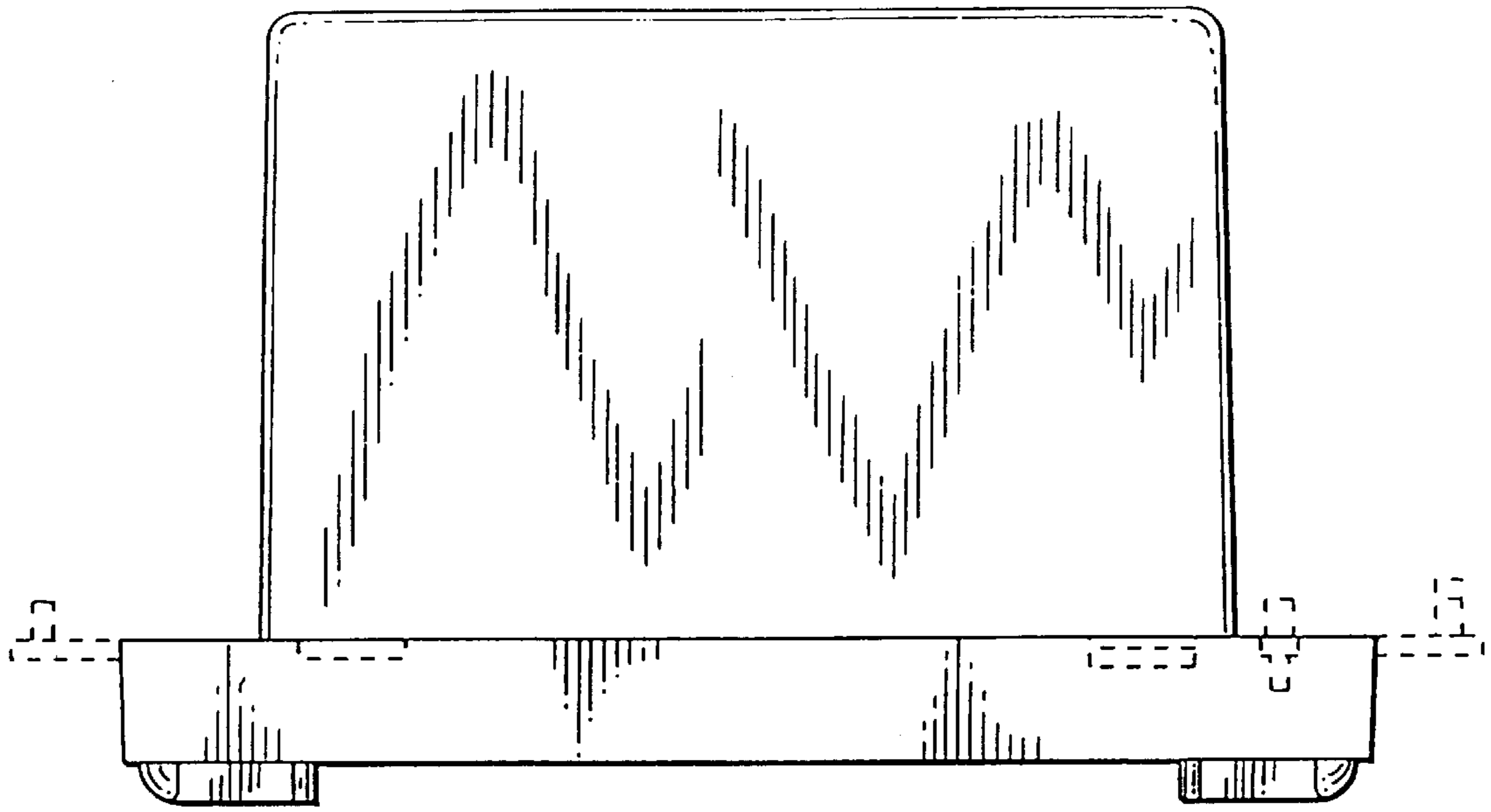


FIG. 3

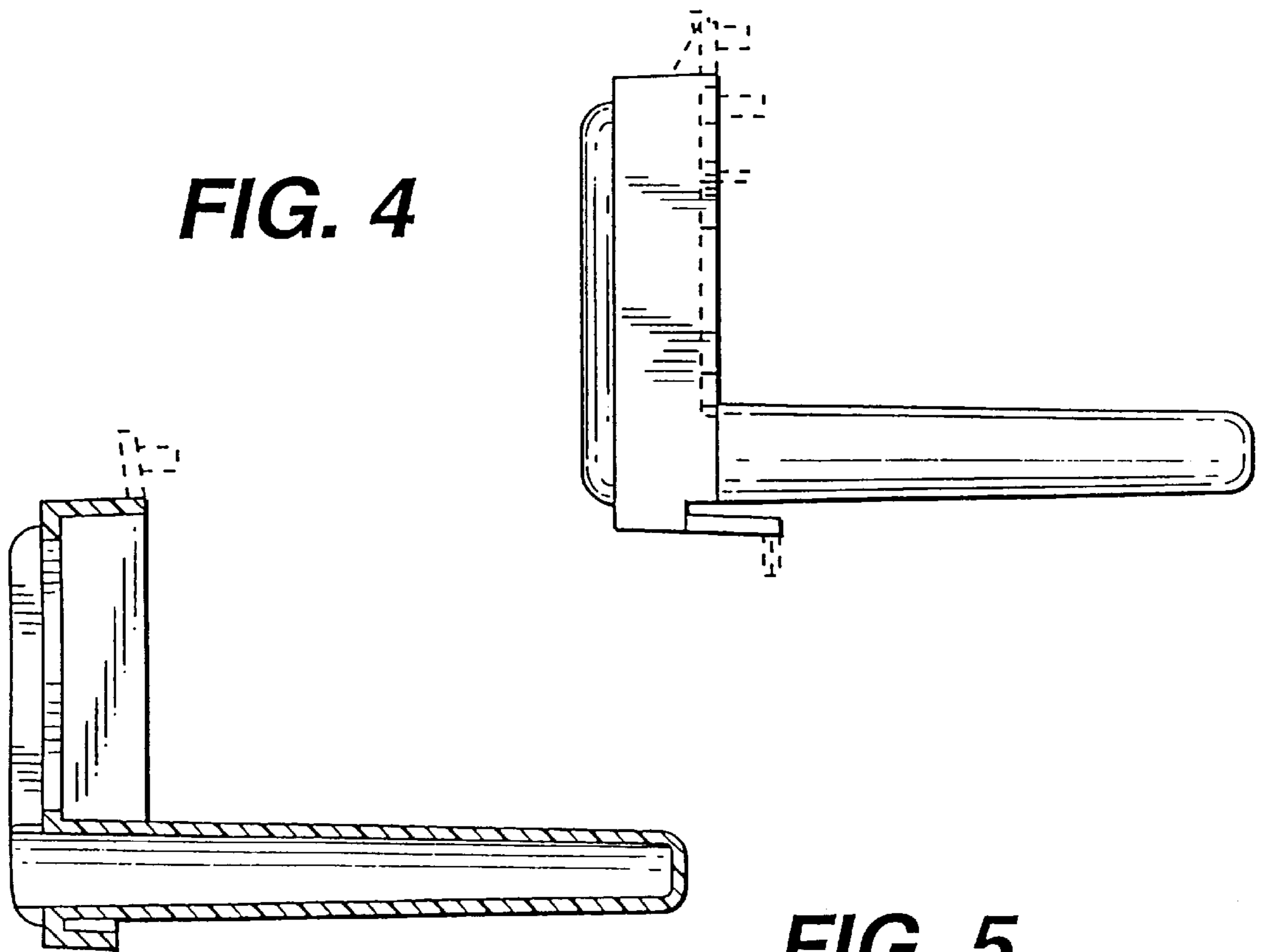


FIG. 4

FIG. 5

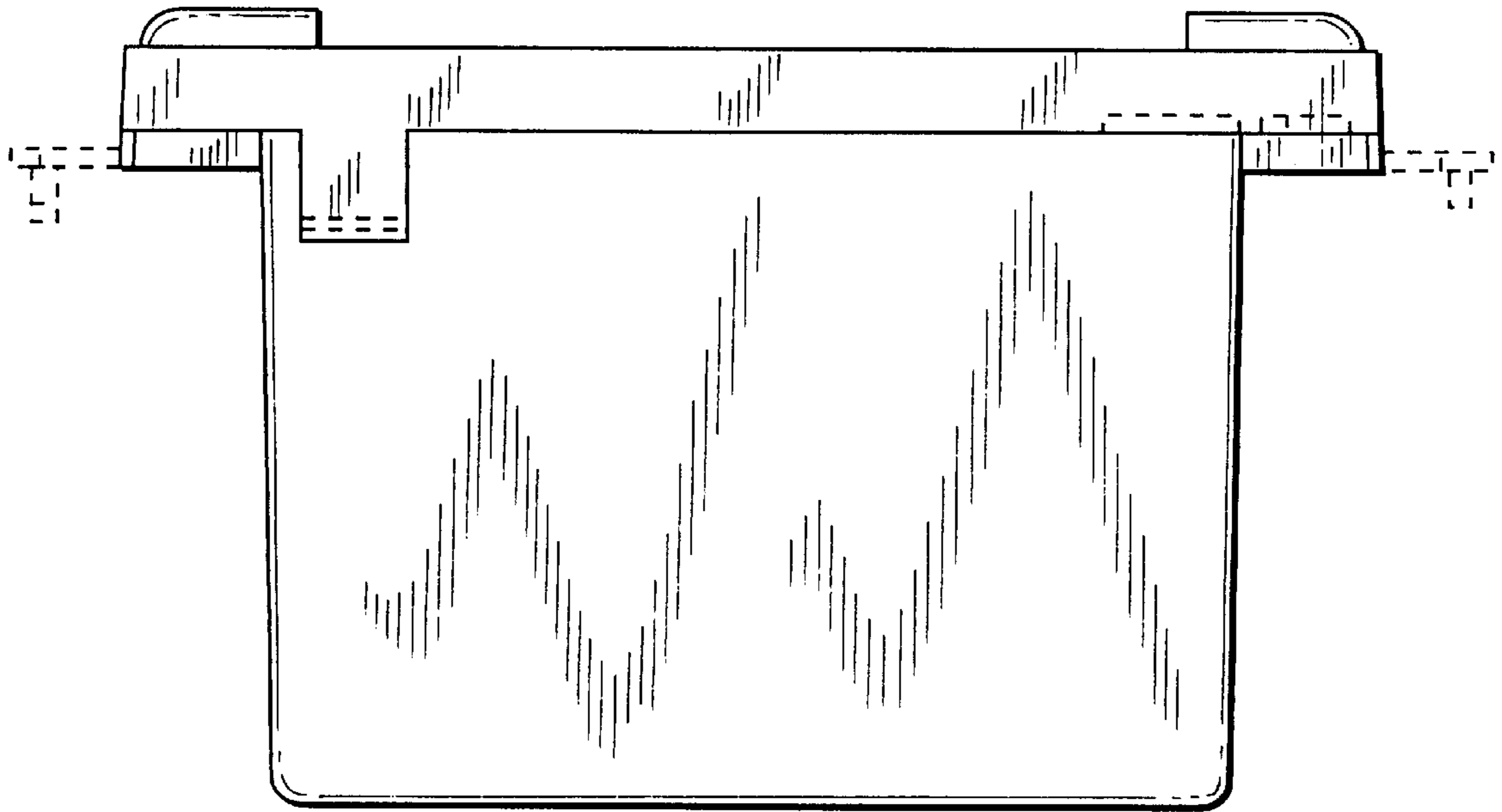


FIG. 6

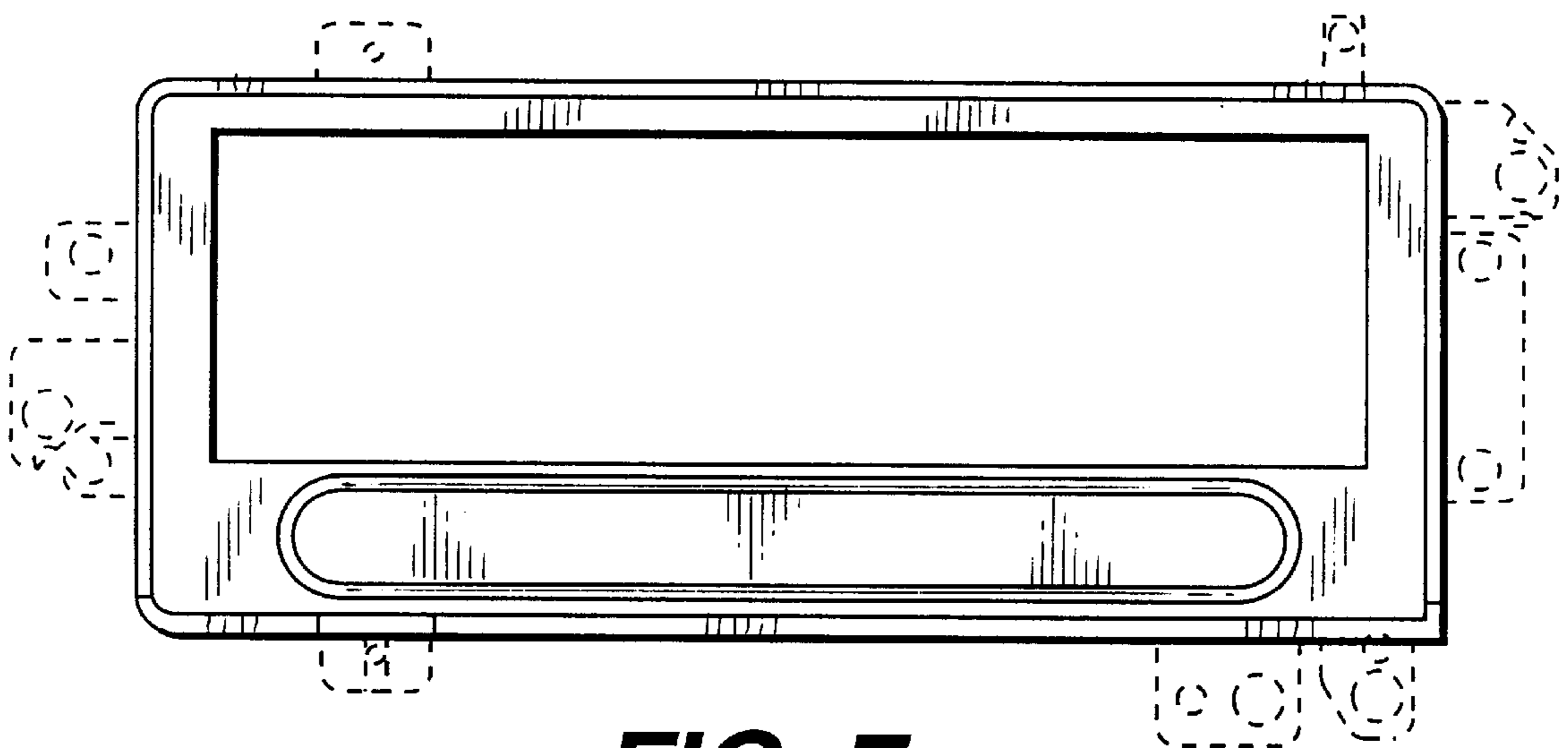


FIG. 7