



US00D418831S

United States Patent [19]

Rosen et al.

[11] Patent Number: Des. 418,831

[45] Date of Patent: ** Jan. 11, 2000

[54] DEPLOYABLE MONITOR

[75] Inventors: **John B. Rosen**, Eugene; **James C. Dezotell**, Creswell; **Mike M. McCallum**, Eugene, all of Oreg.

[73] Assignee: **Rosen Products LLC**, Eugene, Oreg.

[**] Term: **14 Years**

[21] Appl. No.: **29/083,851**

[22] Filed: **Feb. 18, 1998**

[51] **LOC (7) Cl.** **14-03**

[52] **U.S. Cl.** **D14/126; D14/113; D14/132**

[58] **Field of Search** **D14/113, 126-134; 312/7.2; 348/825, 827, 836-838; 248/917-924**

5,583,735 12/1996 Pease et al. .
5,743,487 4/1998 Rice .
5,775,762 7/1998 Vitito .

FOREIGN PATENT DOCUMENTS

4118711 12/1992 Germany .
61-282139 12/1986 Japan .
2-7082 1/1990 Japan .
2-31577 2/1990 Japan .
2-149083 6/1990 Japan .
4-63739 2/1992 Japan .
5-24486 2/1993 Japan .
5-50883 3/1993 Japan .
5-185878 7/1993 Japan .

Primary Examiner—Ted Shooman
Assistant Examiner—Richelle Shelton
Attorney, Agent, or Firm—Kolisch, Hartwell, Dickinson, McCormack & Heuser

[56] References Cited

U.S. PATENT DOCUMENTS

D. 285,684 9/1986 Akita et al. .
D. 356,081 3/1995 Naito et al. D14/129
4,438,458 3/1984 Münscher .
4,735,467 4/1988 Wolters .
4,824,159 4/1989 Fluharty et al. .
4,843,477 6/1989 Mizutani et al. .
4,983,951 1/1991 Igarashi et al. .
5,096,271 3/1992 Portman .
5,161,028 11/1992 Kawata et al. .
5,173,686 12/1992 Fujihara .
5,359,349 10/1994 Jambor et al. .
5,362,144 11/1994 Shioya et al. .
5,401,089 3/1995 Inagaki et al. 312/7.2
5,467,106 11/1995 Salomon .

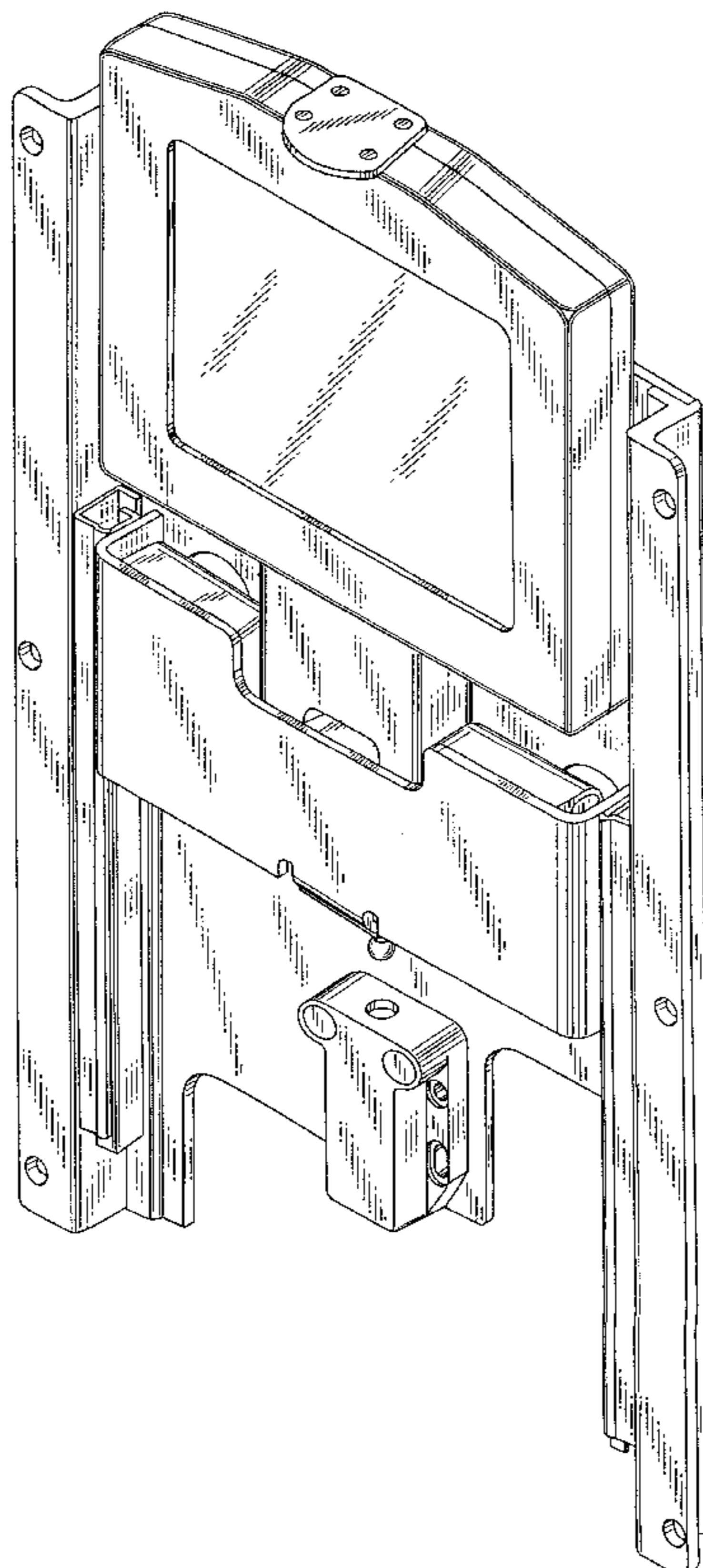
[57] CLAIM

The ornamental design for a deployable monitor, as shown and described.

DESCRIPTION

FIG. 1 is an isometric view of a deployable monitor constructed in accordance with the present invention; FIG. 2 is a front view thereof; FIG. 3 is a bottom view thereof; FIG. 4 is a right-side view, the left-side view being a mirror image thereof; FIG. 5 is a rear view thereof; and, FIG. 6 is a top view thereof.

1 Claim, 3 Drawing Sheets



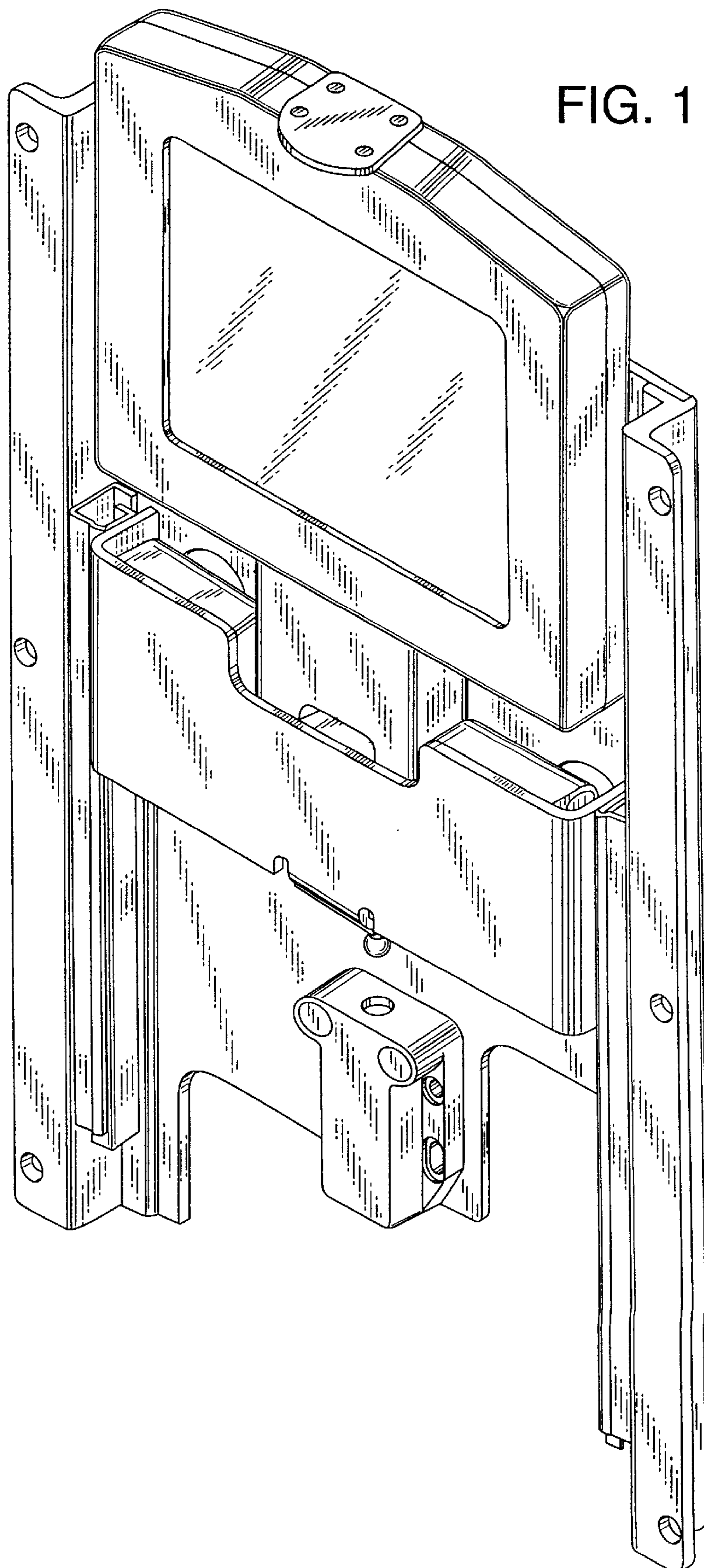


FIG. 2

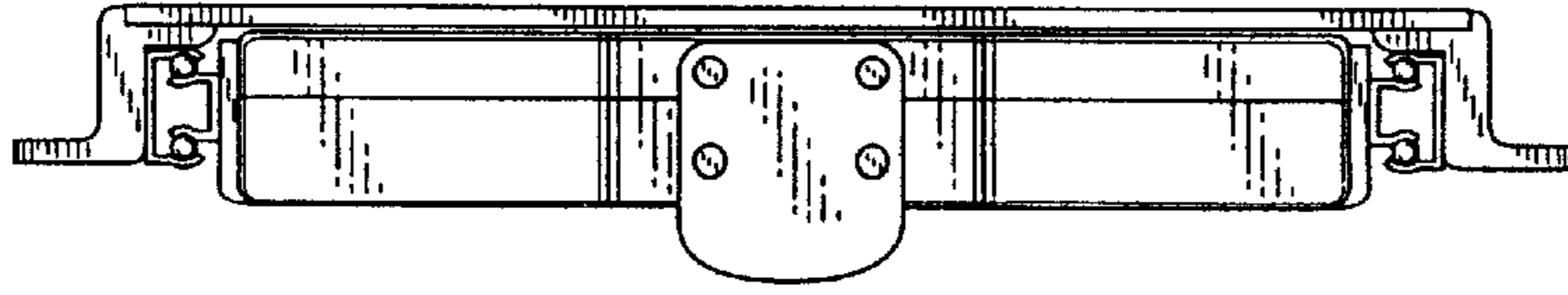


FIG. 3

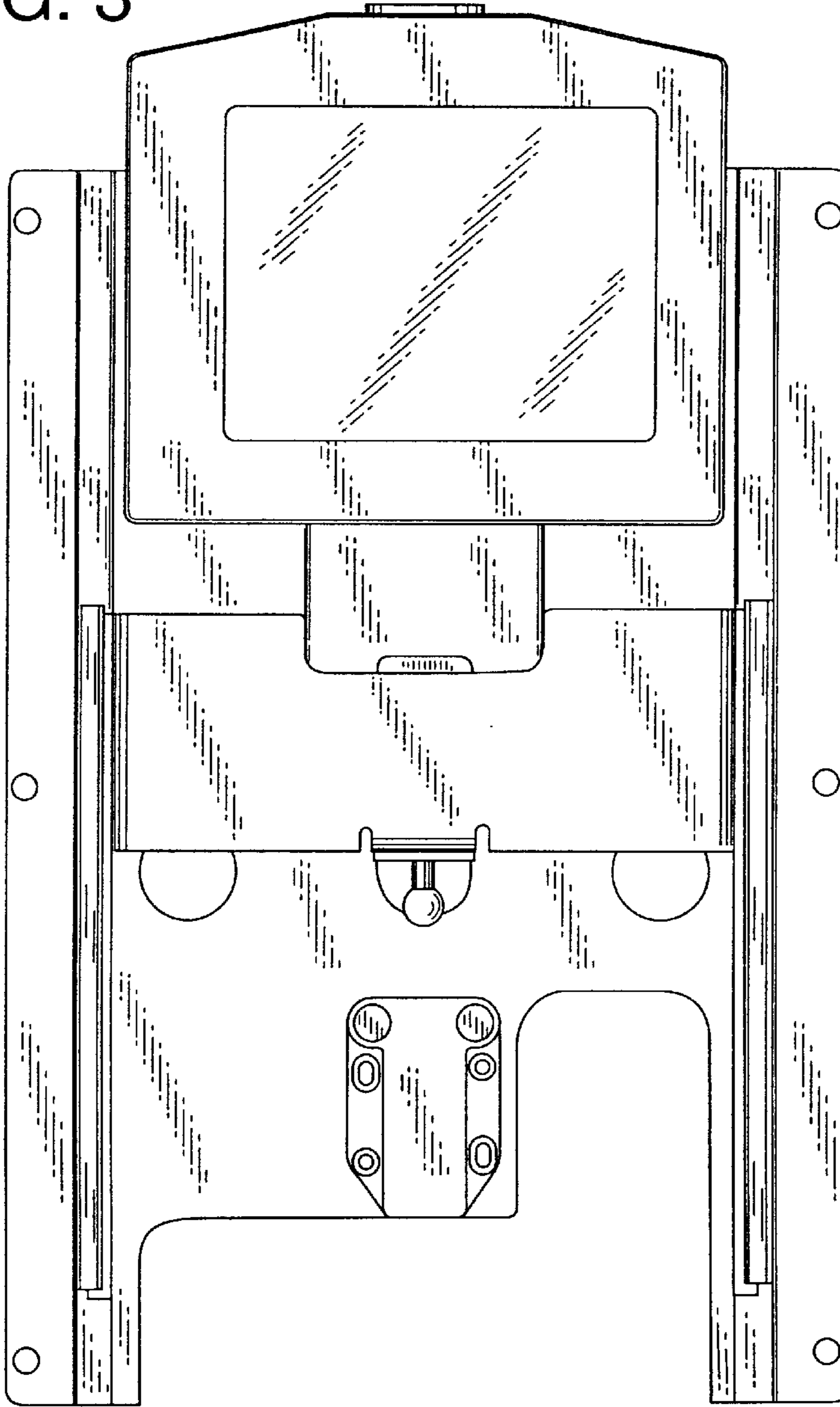


FIG. 4



FIG. 5

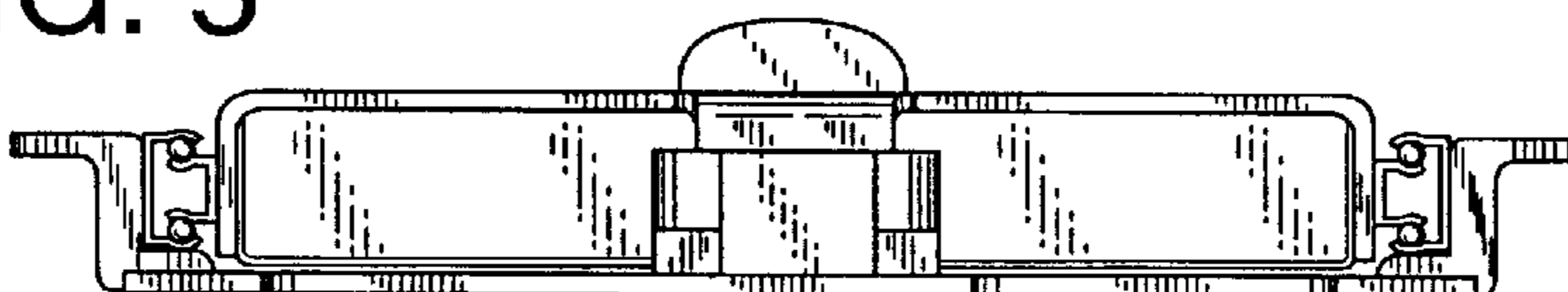


FIG. 6

