



US00D418830S

United States Patent [19]

[11] **Patent Number: Des. 418,830**

Yasutomi et al.

[45] **Date of Patent: ** Jan. 11, 2000**

[54] **TUNER**

[75] Inventors: **Hiroshi Yasutomi; Eiji Shintani**, both of Tokyo, Japan

[73] Assignee: **Sony Corporation**, Tokyo, Japan

[**] Term: **14 Years**

[21] Appl. No.: **29/099,401**

[22] Filed: **Jan. 20, 1999**

[51] **LOC (7) Cl. 14-03**

[52] **U.S. Cl. D14/125**

[58] **Field of Search** D14/124, 125, D14/135, 136, 156, 160, 239; 348/731; 455/3.2

[56] **References Cited**

U.S. PATENT DOCUMENTS

D. 319,051	8/1991	Suzuki	D14/125
D. 327,058	6/1992	Maeyama	D14/135
D. 327,884	7/1992	Ishimoto et al.	D14/135
D. 344,940	3/1994	Ito et al.	D14/135
D. 344,941	3/1994	Ogawa et al.	D14/135
D. 345,970	4/1994	Kawamoto	D14/125

FOREIGN PATENT DOCUMENTS

974419 of 1997 Japan .

OTHER PUBLICATIONS

Catalog "86," pp. 29, 125, 129, 131, 133 & 149, Sony (Jul. 1997).

Catalog "89," p. 45, Sony (Jul. 1998).

Primary Examiner—Ted Shooman
Assistant Examiner—Richelle Shelton
Attorney, Agent, or Firm—Foley & Lardner

[57] **CLAIM**

The ornamental design for a tuner, as shown and described.

DESCRIPTION

FIG. 1 is a perspective view of a first embodiment of a tuner showing our new design;

FIG. 2 is a front elevational view thereof;

FIG. 3 is a rear elevational view thereof;

FIG. 4 is a top plan view thereof;

FIG. 5 is a bottom plan view thereof;

FIG. 6 is a left side elevational view thereof;

FIG. 7 is a right side elevational view thereof; and

FIG. 8 is a perspective view thereof, wherein the lid portion is in the open position. The inside portion in broken lines is for illustrative purpose only and forms no part of claimed design.

FIG. 9 is a perspective view of a second embodiment of a tuner showing our new design;

FIG. 10 is a front elevational view thereof;

FIG. 11 is a rear elevational view thereof.

FIG. 12 is a top plan view thereof;

FIG. 13 is a bottom plan view thereof;

FIG. 14 is a left side elevational view thereof;

FIG. 15 is a right side elevational view thereof; and,

FIG. 16 is a perspective view thereof, wherein the lid portion is in the open position.

1 Claim, 10 Drawing Sheets

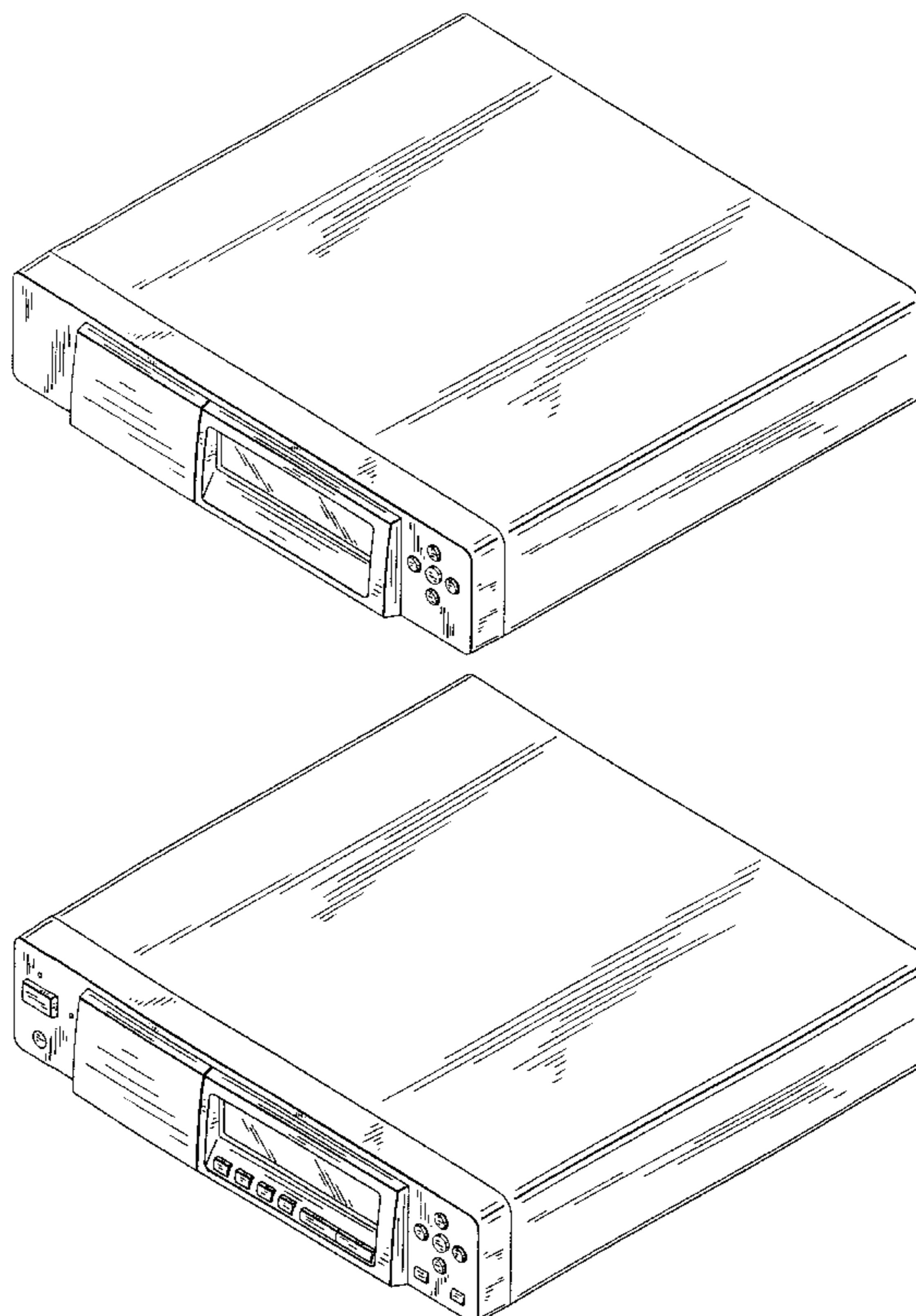


FIG. 1

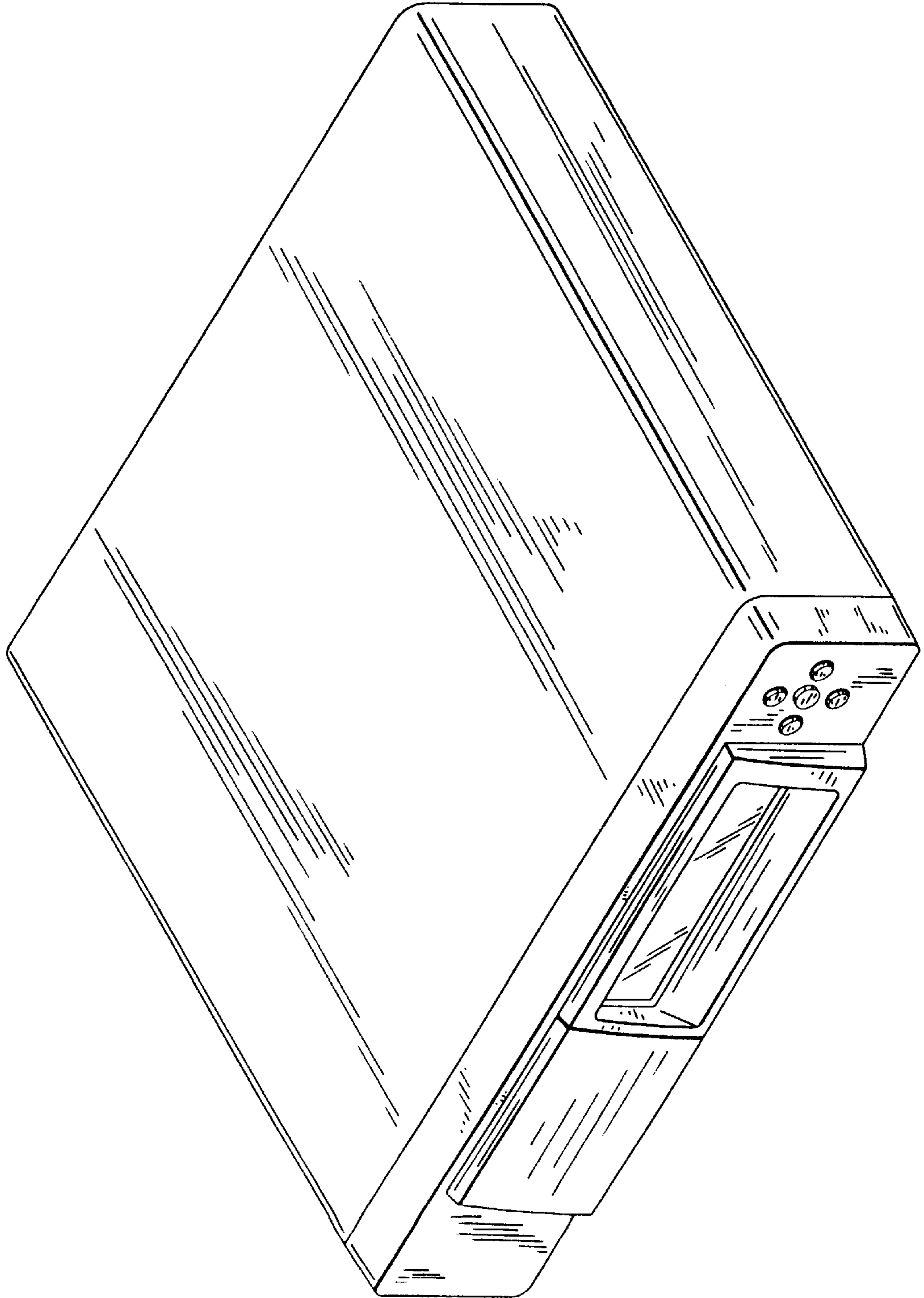


FIG. 3

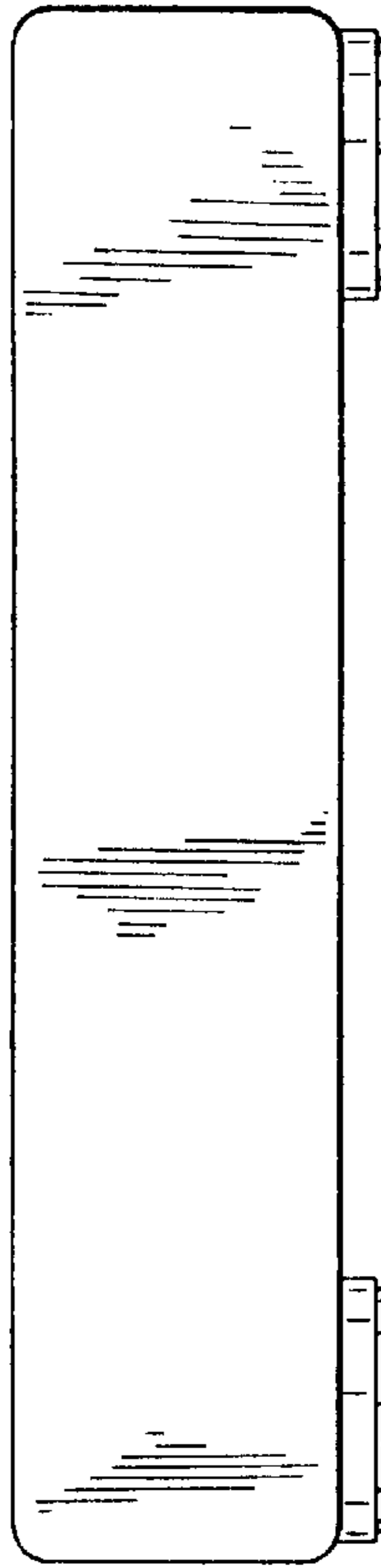


FIG. 2

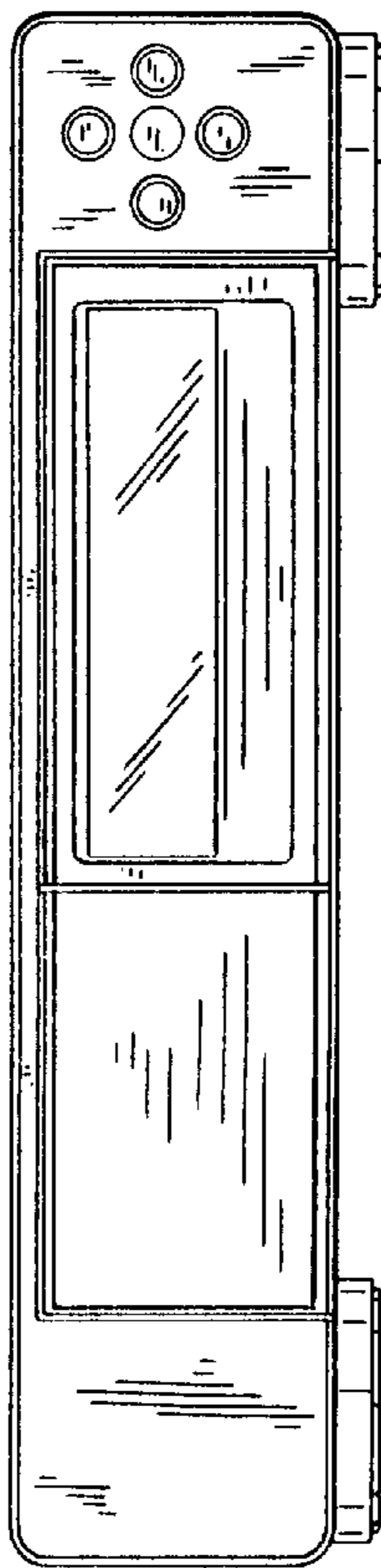


FIG. 5

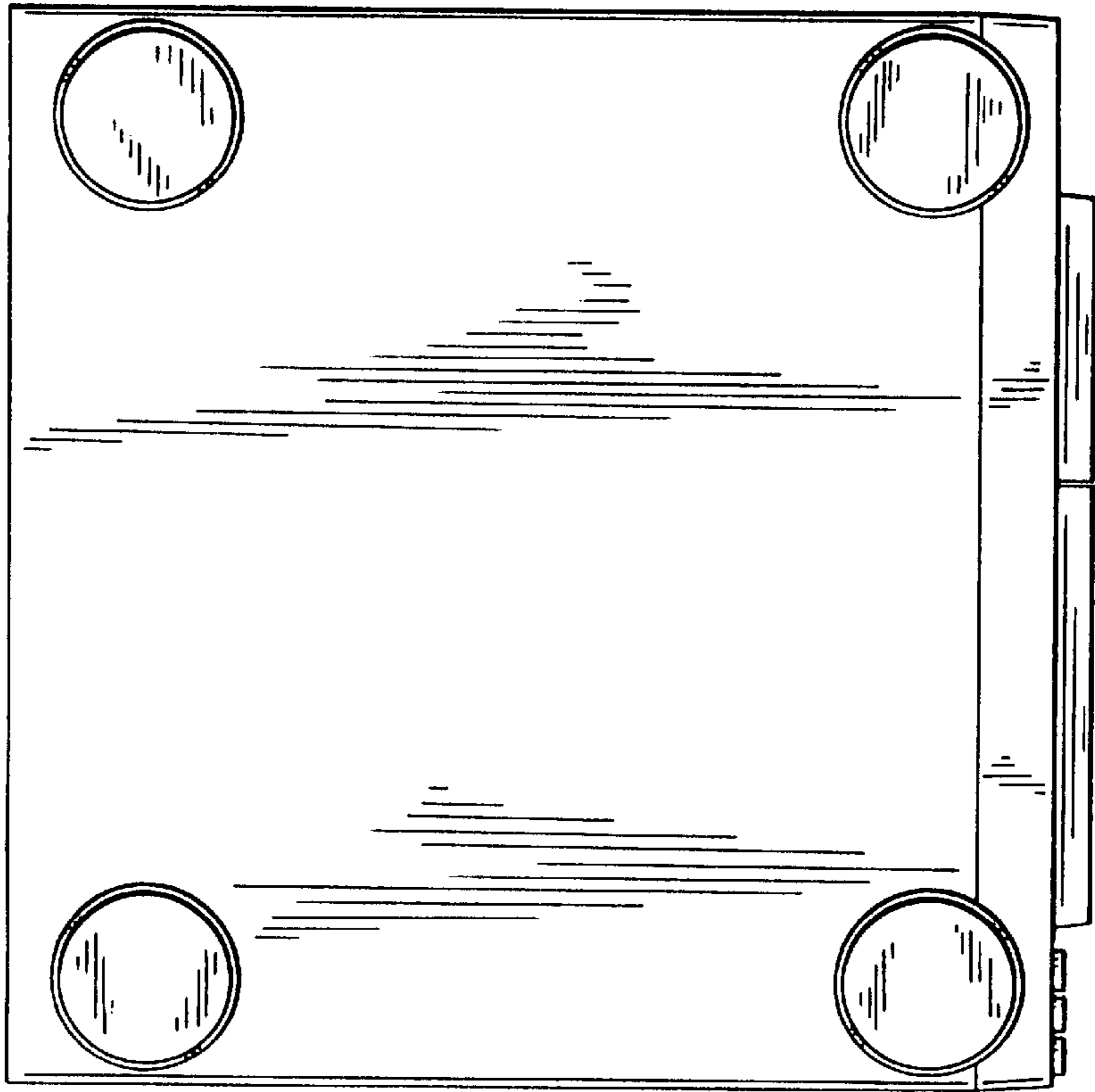


FIG. 4

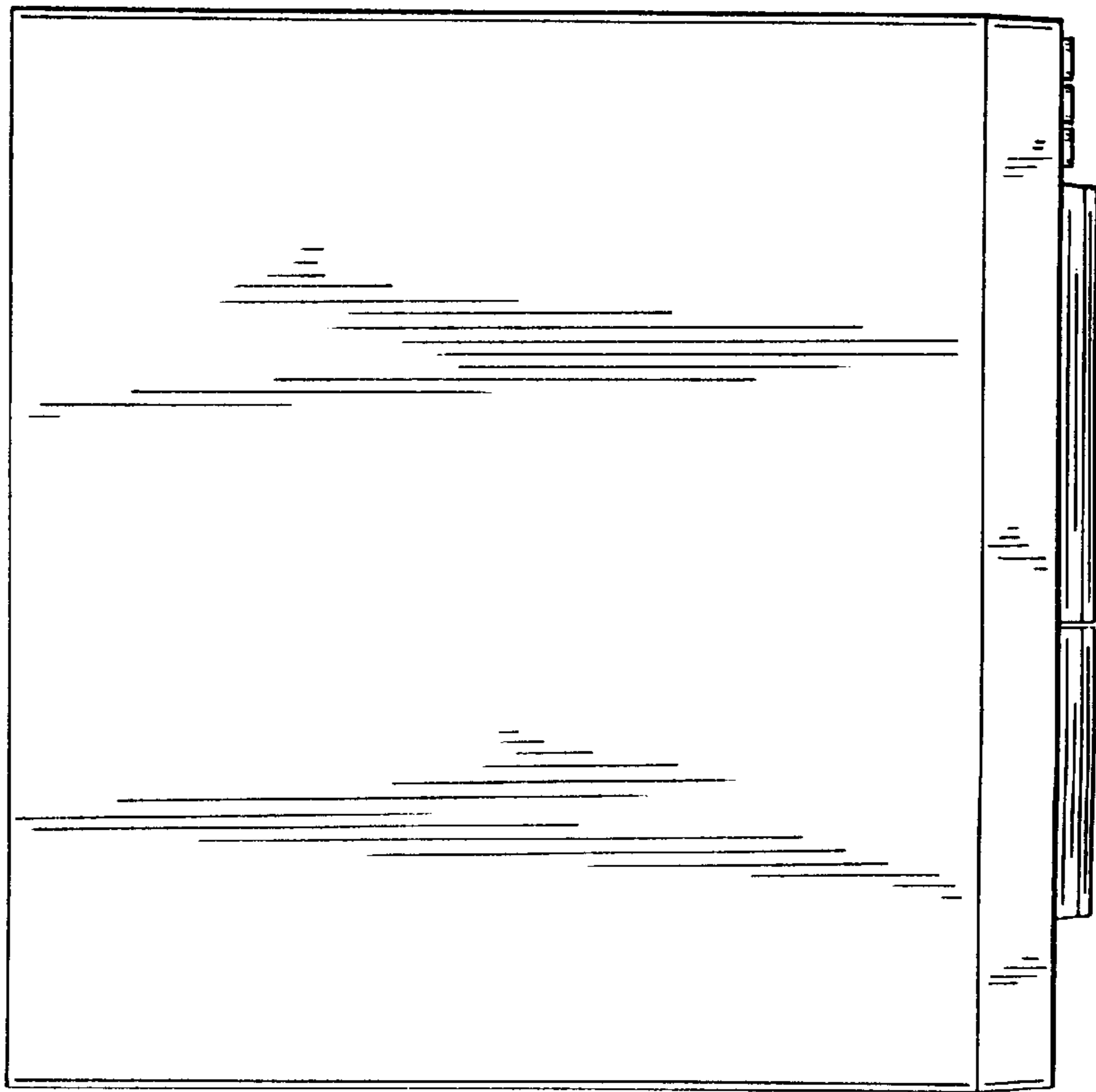


FIG. 7

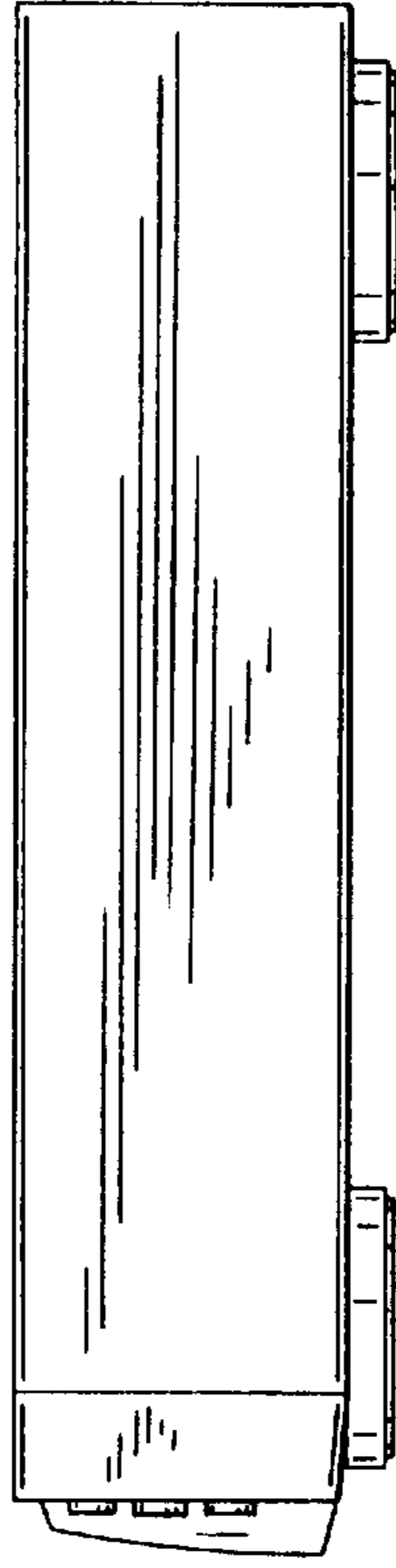


FIG. 6

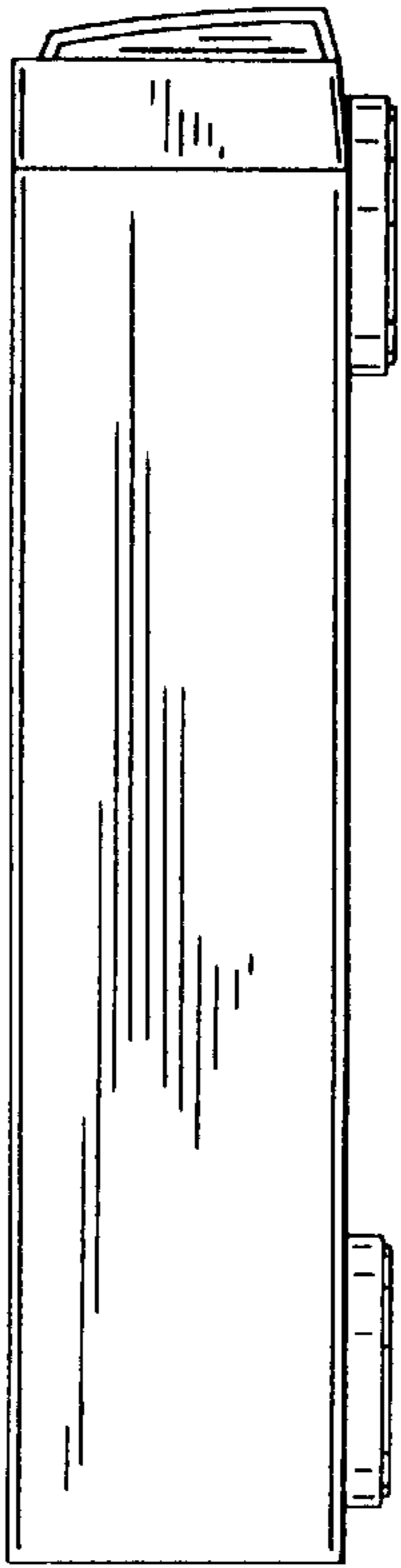


FIG. 8

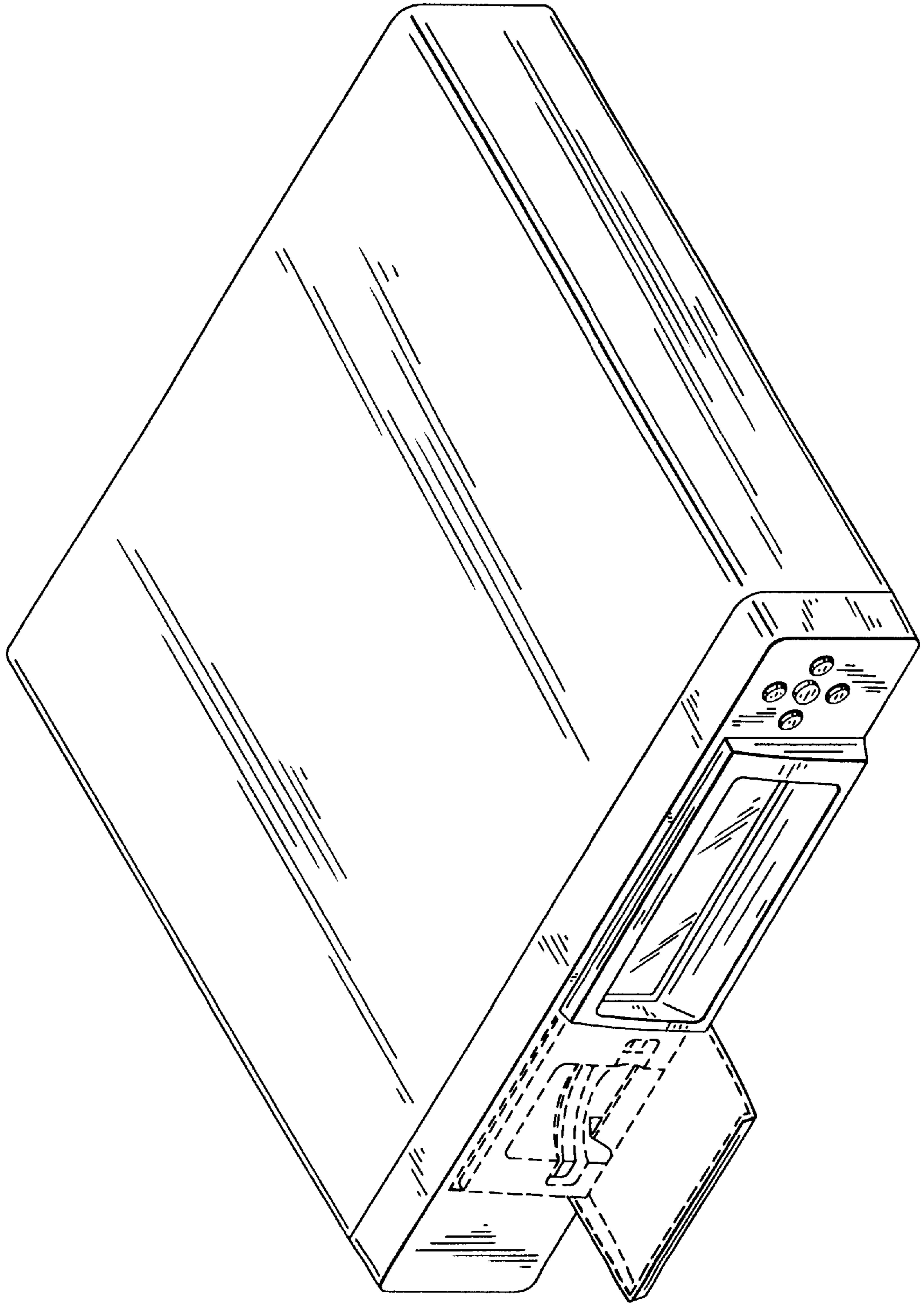


FIG. 9

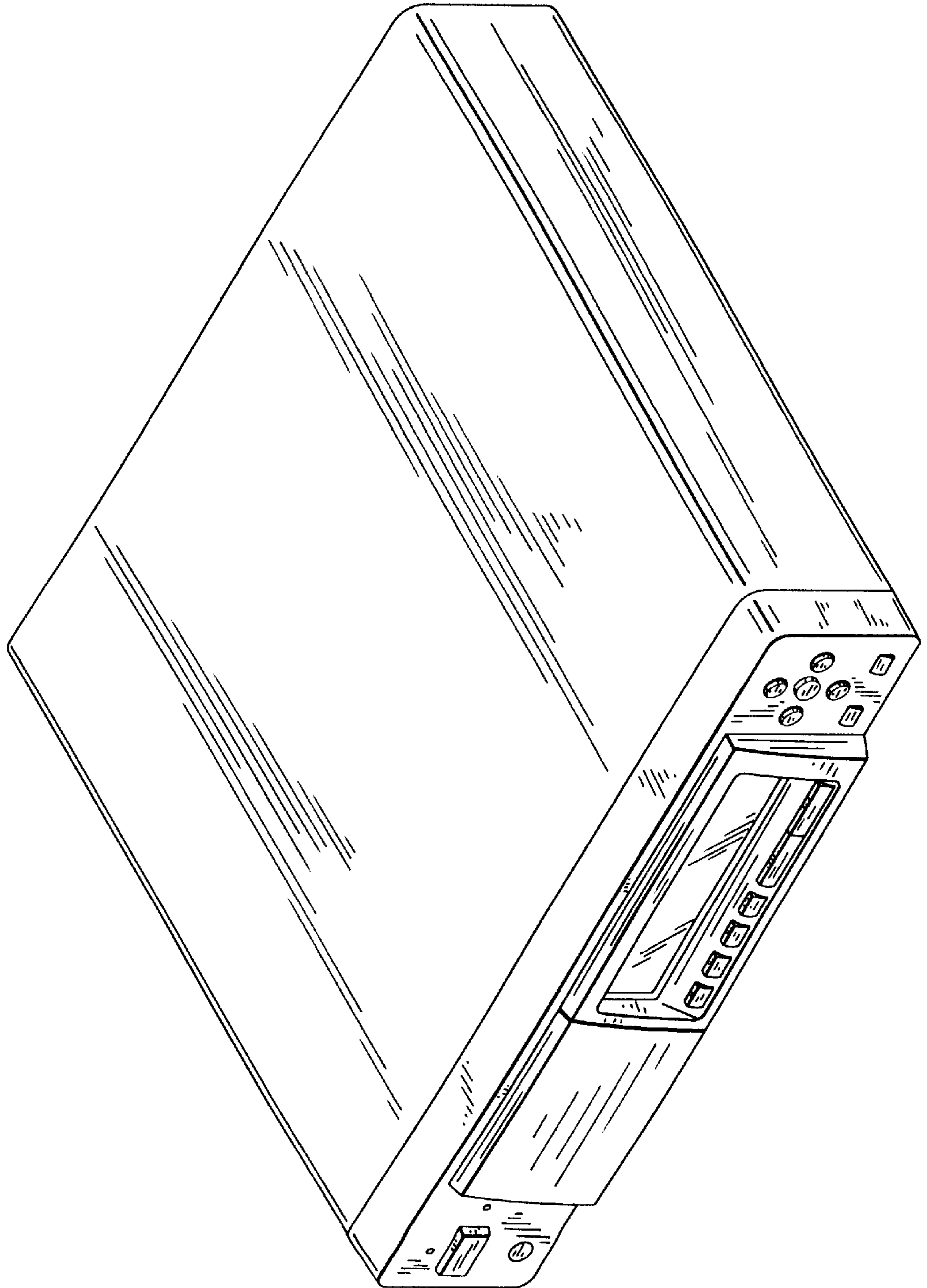


FIG. 11

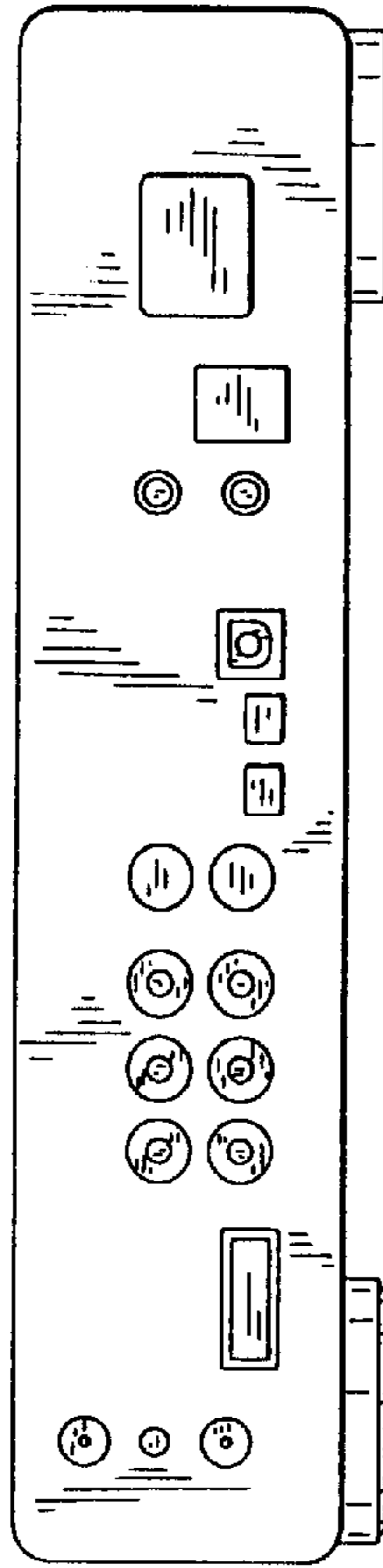


FIG. 10

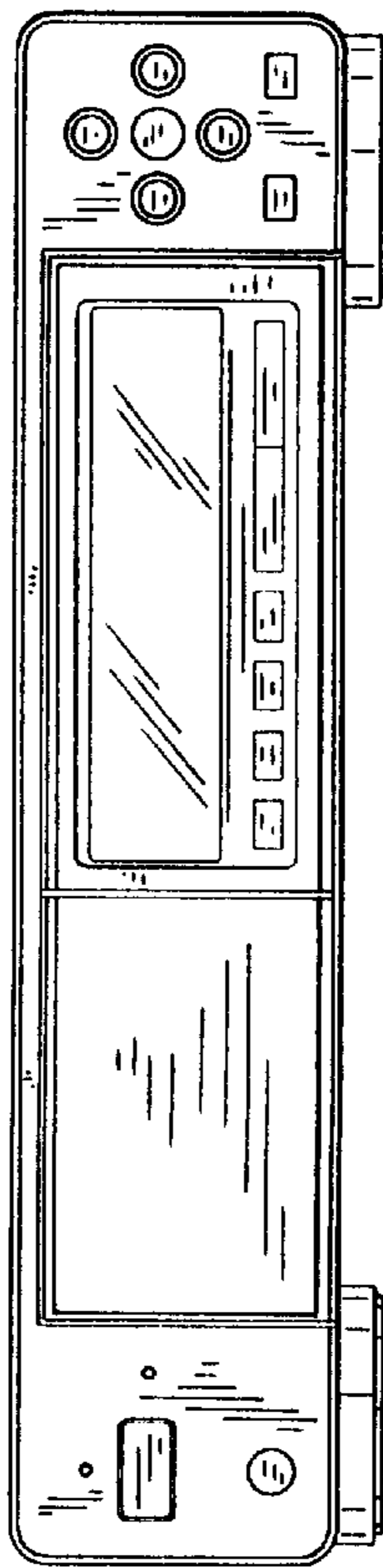


FIG. 13

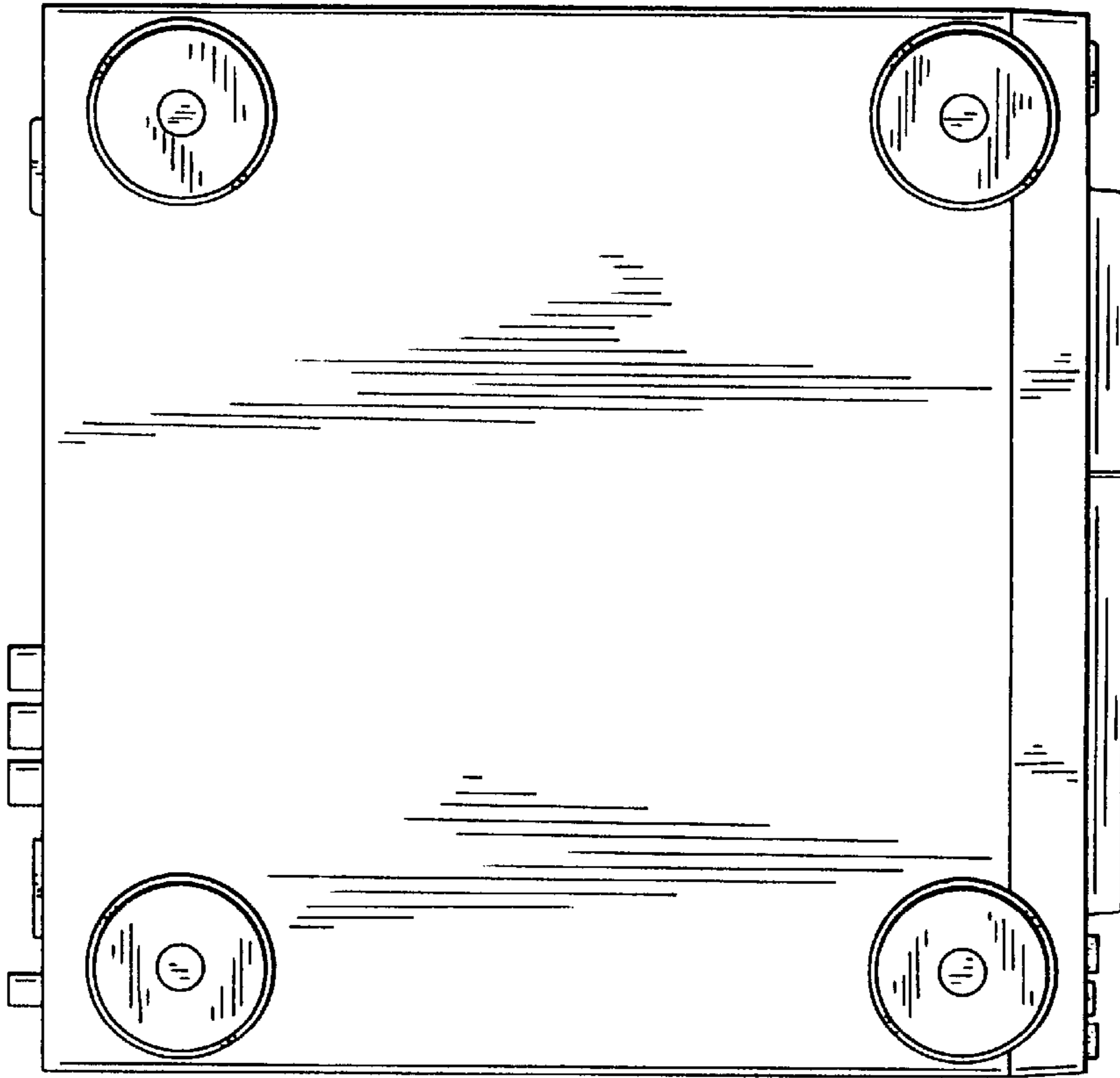


FIG. 12

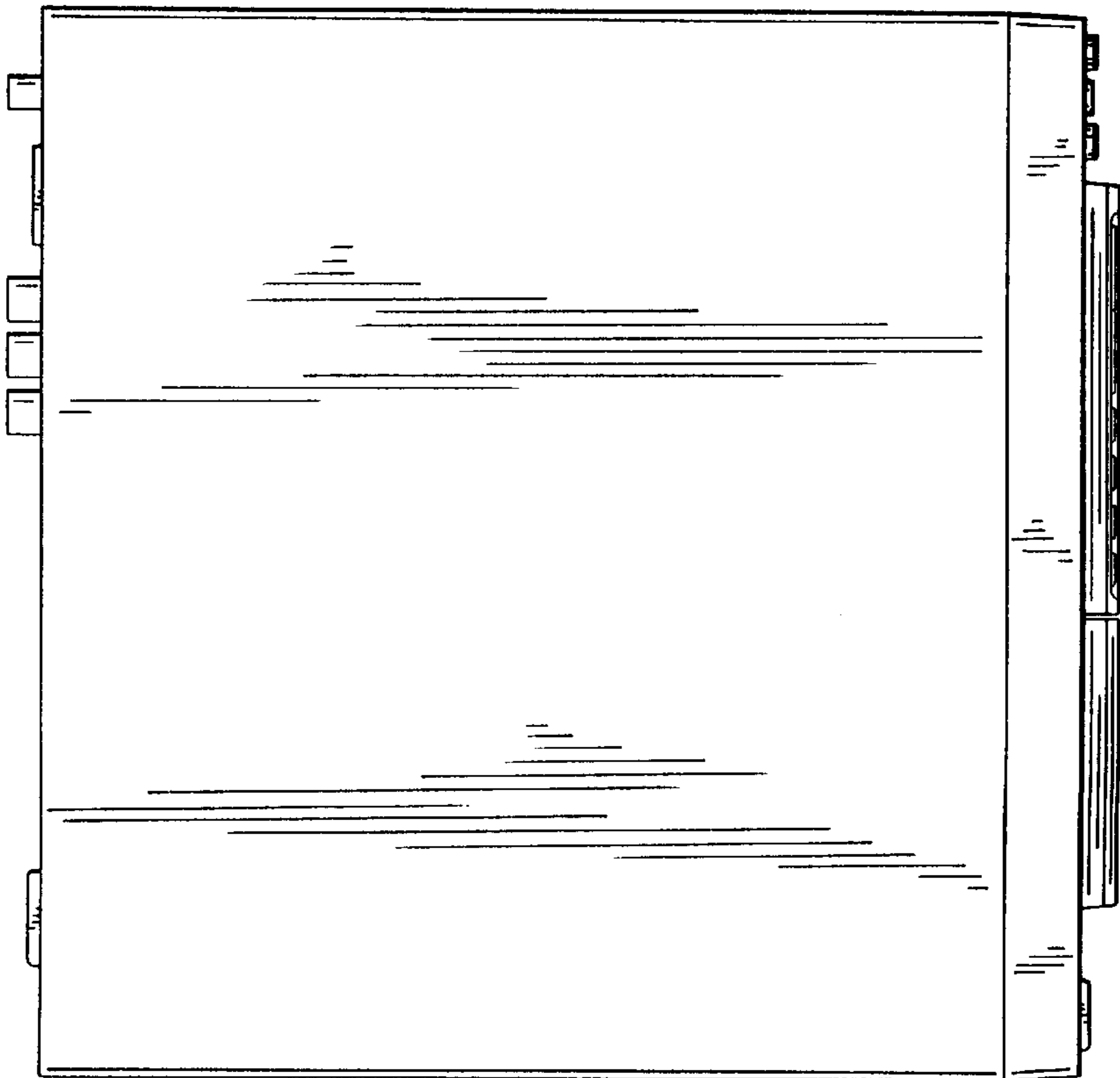


FIG. 15

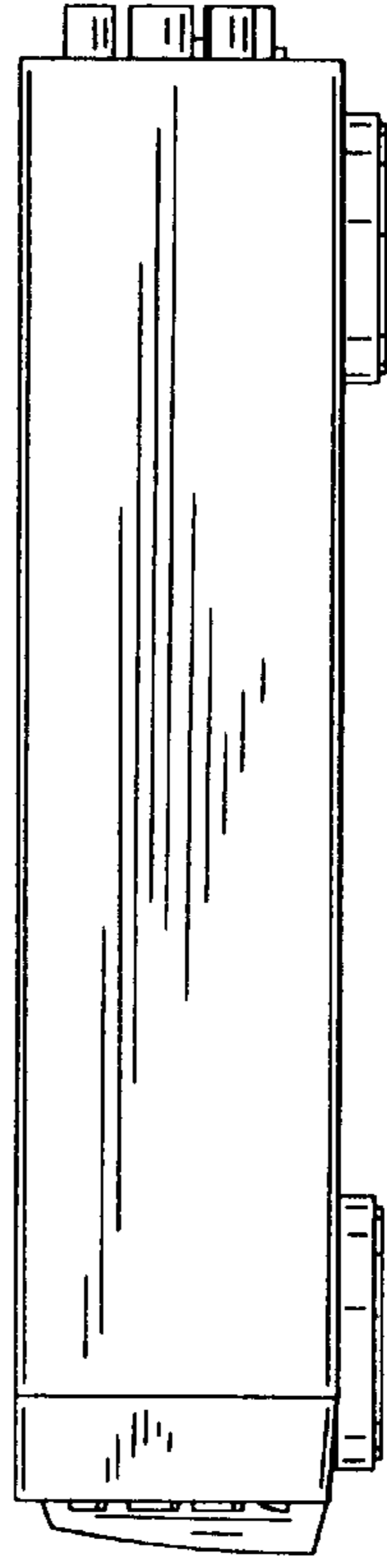


FIG. 14

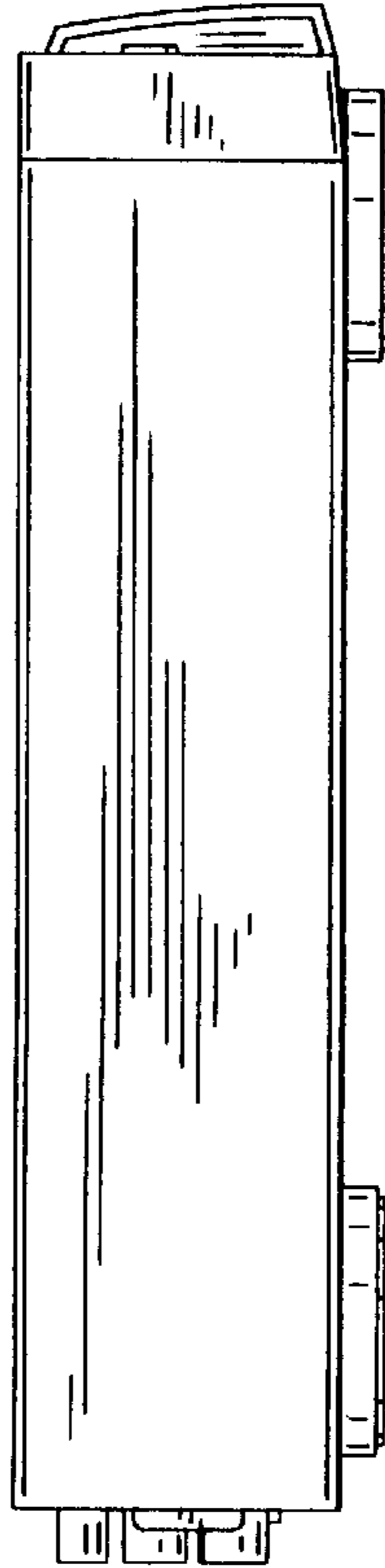


FIG. 16

