



US00D418827S

United States Patent [19]

Hartford et al.

[11] Patent Number: **Des. 418,827**

[45] Date of Patent: **** Jan. 11, 2000**

[54] **ICON FOR A COMPUTER DISPLAY SCREEN**

[75] Inventors: **Stephen A. Hartford**, Folsom; **Daniel A. Kaye**, San Francisco; **J. Paul Montgomery**, Granite Bay; **Michael Richard Young Moore**, Rancho Cordova; **Mark R. Mooneyham**, Folsom; **Stephan M. Bouchard**, Folsom; **James D. Kimball**, Folsom; **Karl V. Miller**, Sacramento; **Jeremy D. Wheaton**; **Michael P. Radogna**, both of Carmichael; **Peter A. Tjeerdsma**, Fair Oaks, all of Calif.

[73] Assignee: **Play, Inc.**, Rancho Cordova, Calif.

[**] Term: **14 Years**

[21] Appl. No.: **29/091,402**

[22] Filed: **Jul. 29, 1998**

[51] **LOC (7) Cl.** **14-02**

[52] **U.S. Cl.** **D14/114.3**

[58] **Field of Search** D14/114, 114.1-114.9; D21/324-33; D18/24-33; D19/6; D20/11; 345/326, 339-40, 347-57

[56] **References Cited**

U.S. PATENT DOCUMENTS

D. 391,559	3/1998	Faris et al.	D14/114.1
D. 391,948	3/1998	Eisenberg	D14/114.5
D. 400,520	11/1998	Baker et al.	D14/114.2
D. 402,284	12/1998	Coleman	D14/114.2
D. 407,698	4/1999	Alexiev	D14/114.1

Primary Examiner—M. H. Tung
Attorney, Agent, or Firm—Carr & Ferrell LLP

[57] **CLAIM**

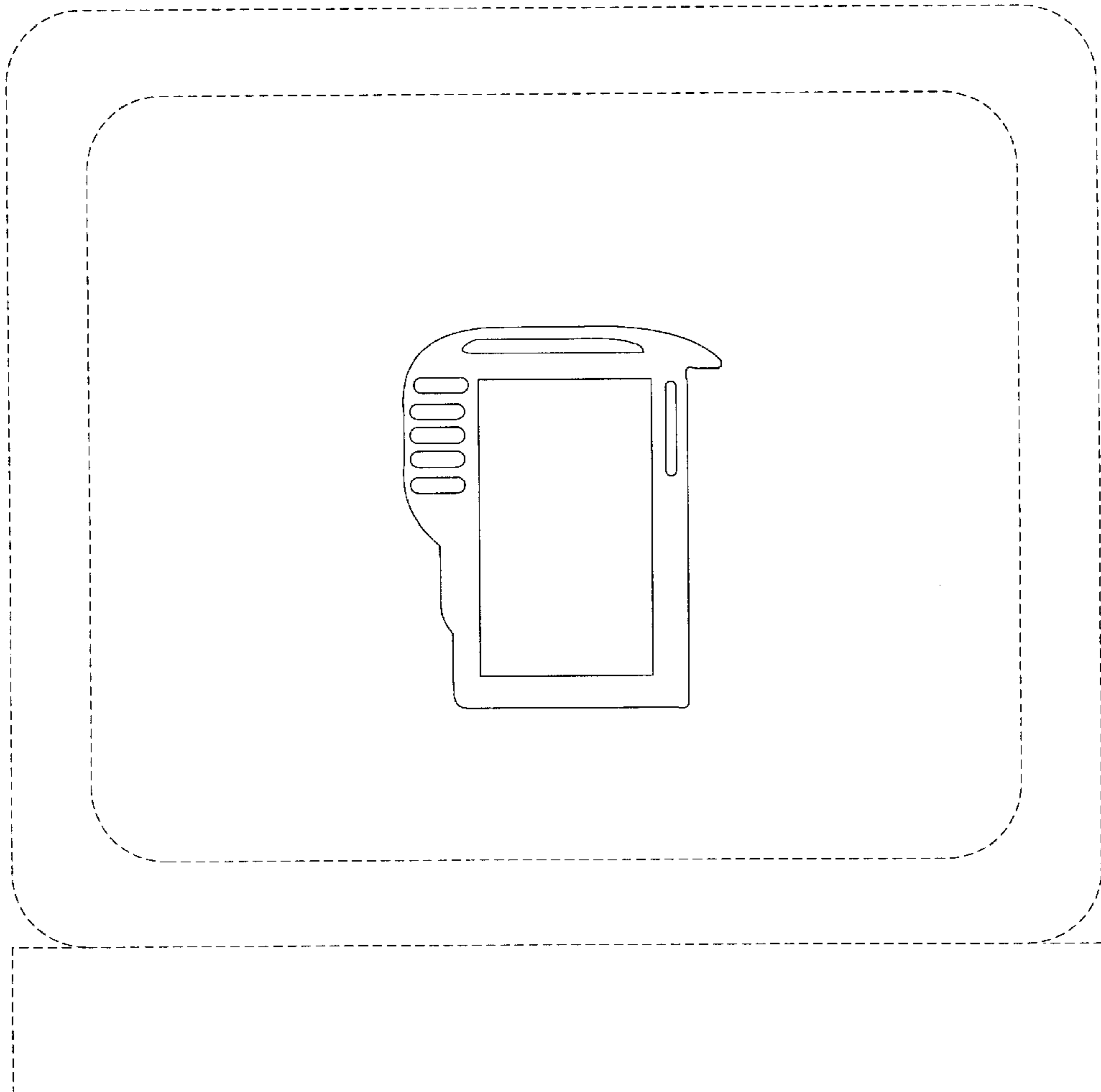
The ornamental design for a icon for a computer display screen, as shown and described.

DESCRIPTION

FIG. 1 is a front view of an icon for a computer display screen, the broken line drawing of a computer display screen is for illustrative purposes only and forms no part of the claimed design;

FIG. 2 is a front view thereof, on an enlarged scale, the icon is shown separately for clarity of illustration.

1 Claim, 2 Drawing Sheets



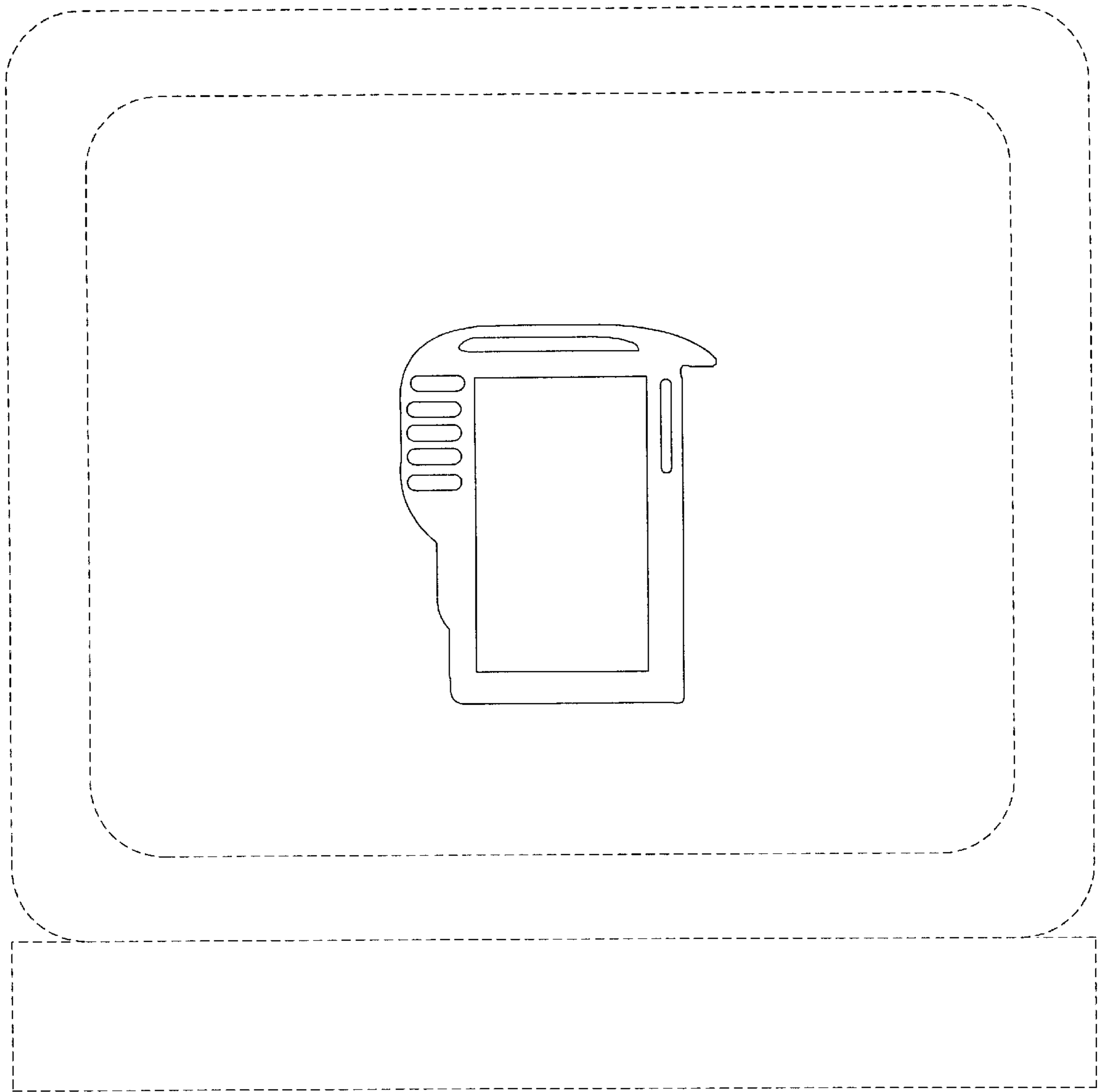


FIG. 1

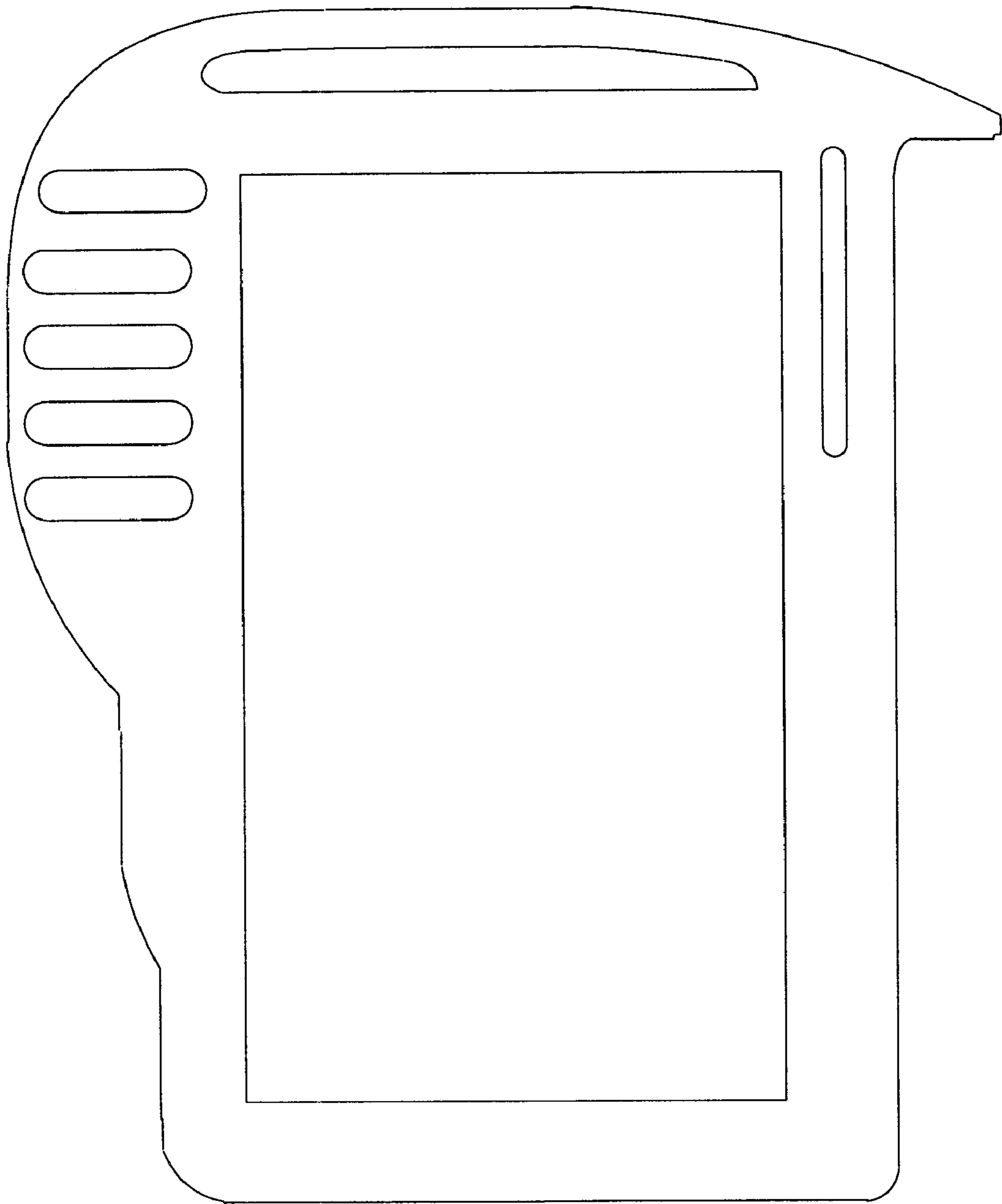


FIG. 2