



US00D418824S

United States Patent [19]

Reid et al.

[11] Patent Number: **Des. 418,824**

[45] Date of Patent: **** Jan. 11, 2000**

[54] **ERGONOMIC COMPUTER MOUSE**

[75] Inventors: **James J. Reid; Dale E. Boudreau,**
both of Rochester, N.Y.

[73] Assignee: **Xerox Corporation,** Stamford, Conn.

[**] Term: **14 Years**

[21] Appl. No.: **29/106,954**

[22] Filed: **Jun. 24, 1999**

[51] **LOC (7) Cl.** **14-02**

[52] **U.S. Cl.** **D14/114**

[58] **Field of Search** D14/114, 100;
D15/158; D21/385, 324-33; 200/5 R, 5 A,
6 R, 6 A; 273/148 B; 345/156-67; 74/471;
463/36-39

[56] **References Cited**

U.S. PATENT DOCUMENTS

D. 373,999	9/1996	Staats	D14/114
D. 374,867	10/1996	Canavan	D14/114
D. 381,970	8/1997	Gasca	D14/114
D. 396,034	7/1998	Whiteing	D14/114
D. 410,638	6/1999	Sheehan et al.	D14/114
D. 411,992	7/1999	Willner et al.	D14/115
D. 413,360	8/1999	Smith	D14/114 X
4,862,165	8/1989	Gart	345/163
5,340,067	8/1994	Martin et al.	248/118.5

5,355,147	10/1994	Lear	345/156
5,570,112	10/1996	Robinson	345/163
5,576,733	11/1996	Lo	345/163
5,648,798	7/1997	Hamling	345/163
5,865,404	2/1999	Hesley	248/118
5,865,405	2/1999	Hesley	248/118
5,868,365	2/1999	Hesley	248/118
5,894,302	4/1999	Scenna et al.	345/163

Primary Examiner—M. H. Tung

[57] **CLAIM**

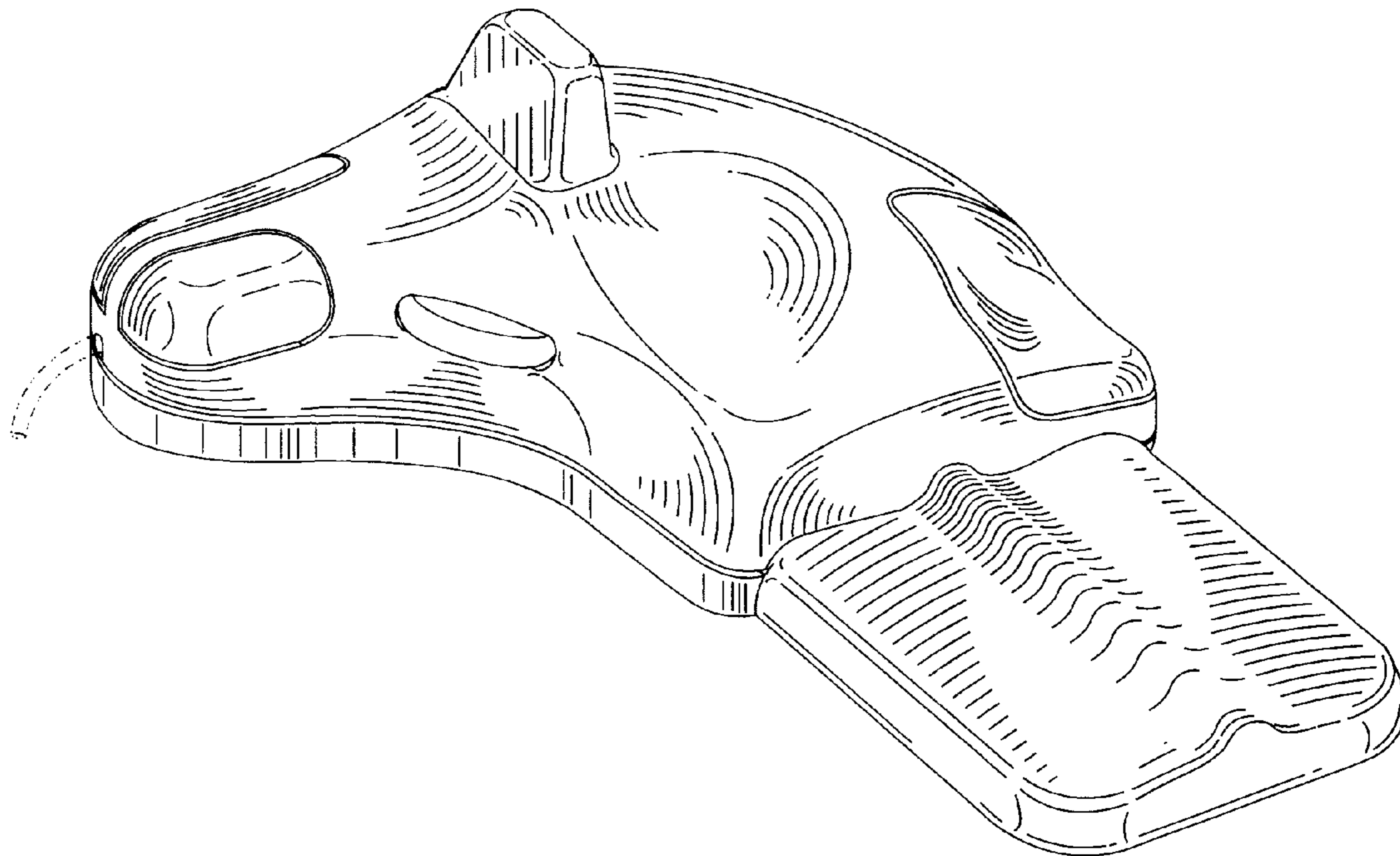
The ornamental design for an ergonomic computer mouse, as shown and described.

DESCRIPTION

FIG. 1 is a top perspective view of an ergonomic computer mouse showing our new design, on a reduced scale; FIG. 2 is a front view thereof; FIG. 3 is a right side view thereof; FIG. 4 is a rear view thereof; FIG. 5 is a left side view thereof; FIG. 6 is a top view thereof; and, FIG. 7 is a bottom view thereof.

The broken line drawing of a cord in FIGS. 1, 2, 4, 5, 6, and 7, and the broken line drawing of the trackball and additional elements in FIG. 7 are for illustrative purposes only and form no part of the claimed design.

1 Claim, 7 Drawing Sheets



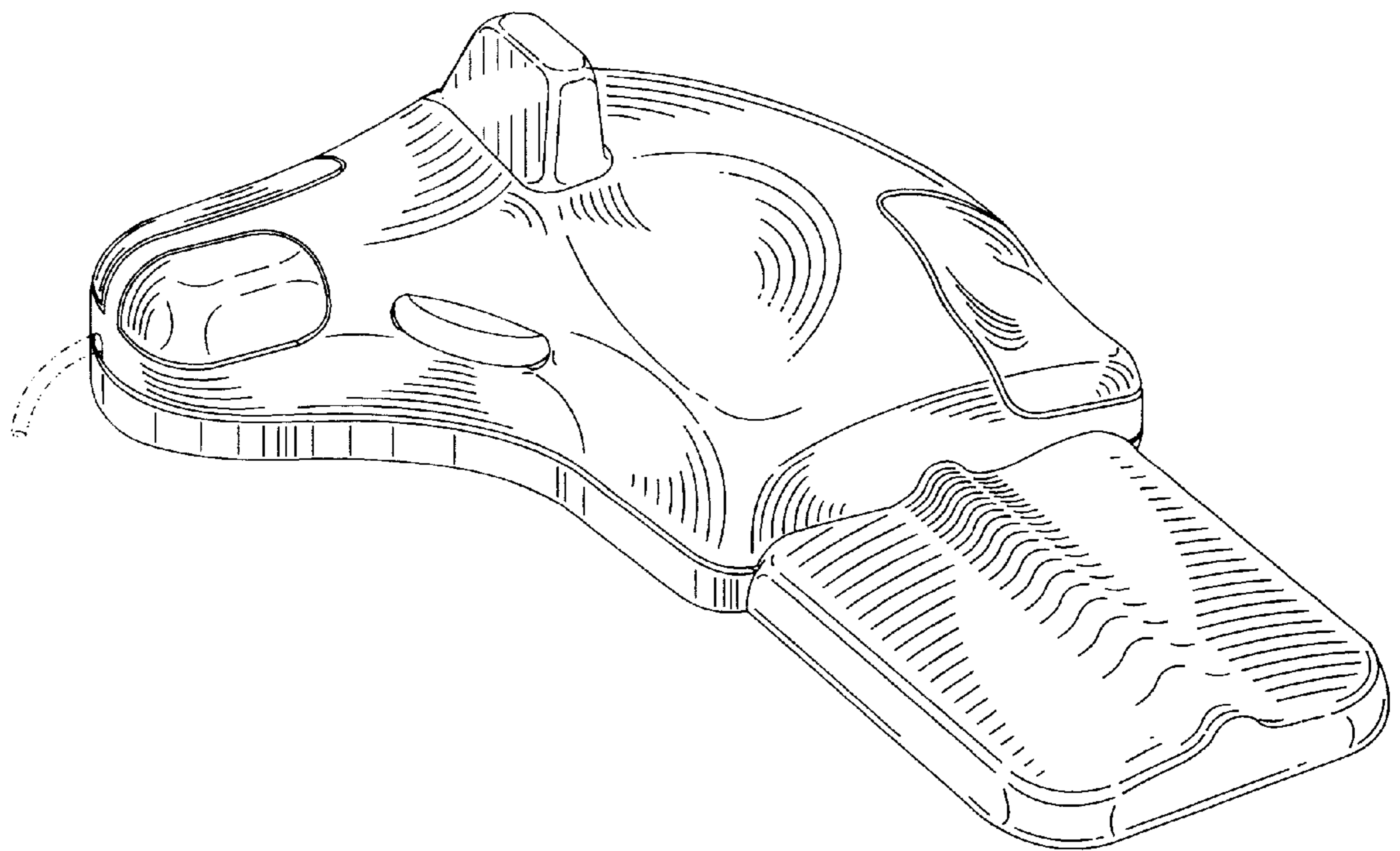


FIG. 1

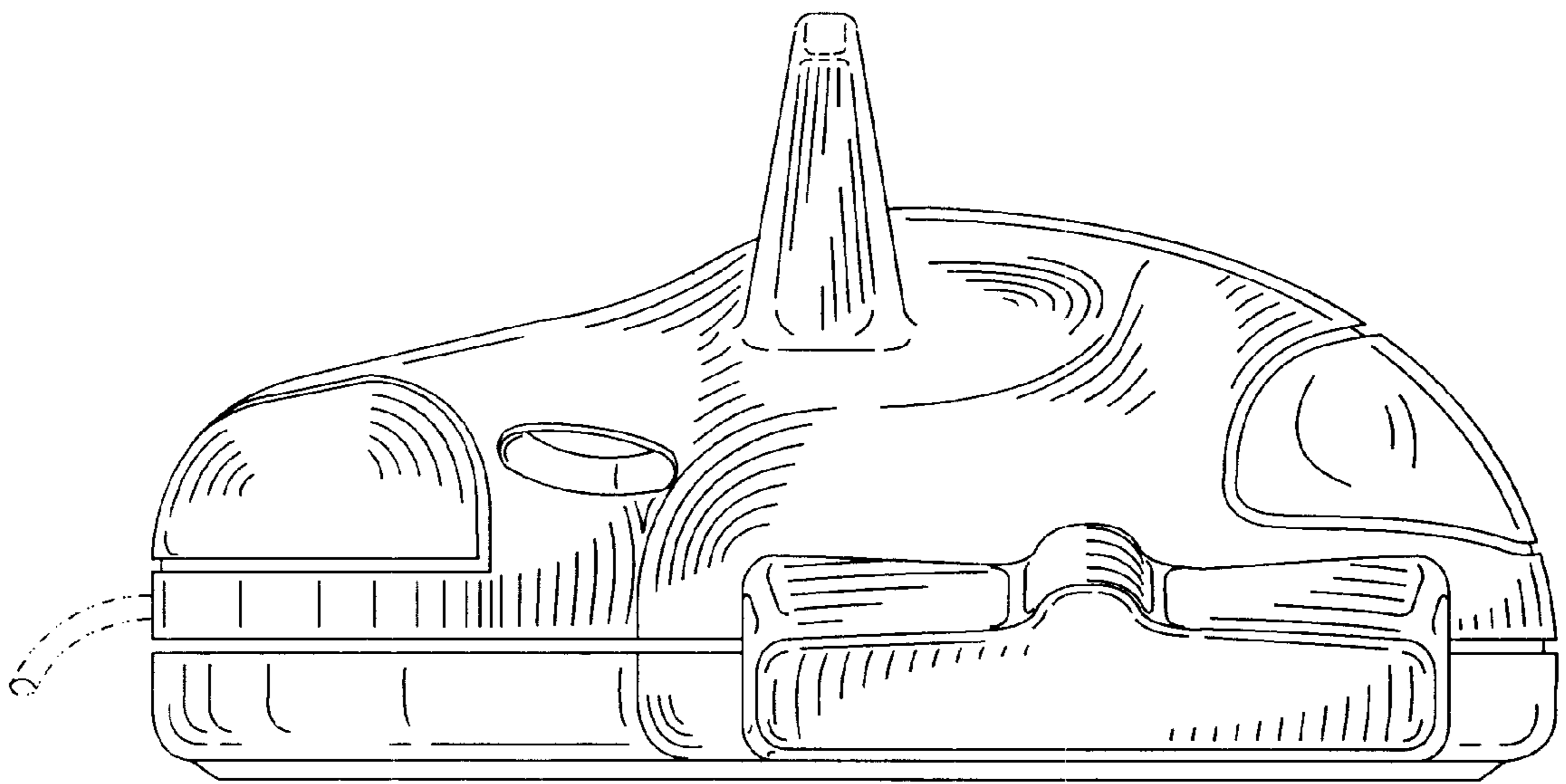


FIG. 2

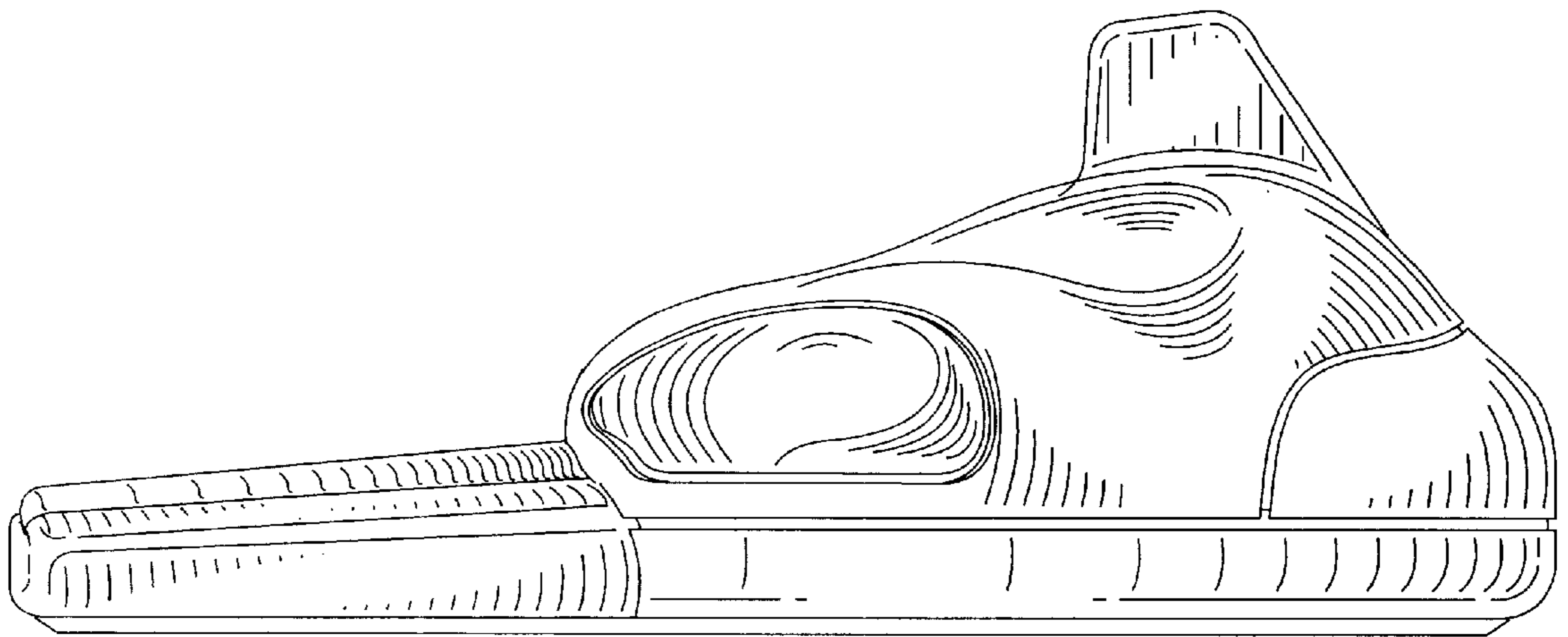


FIG. 3

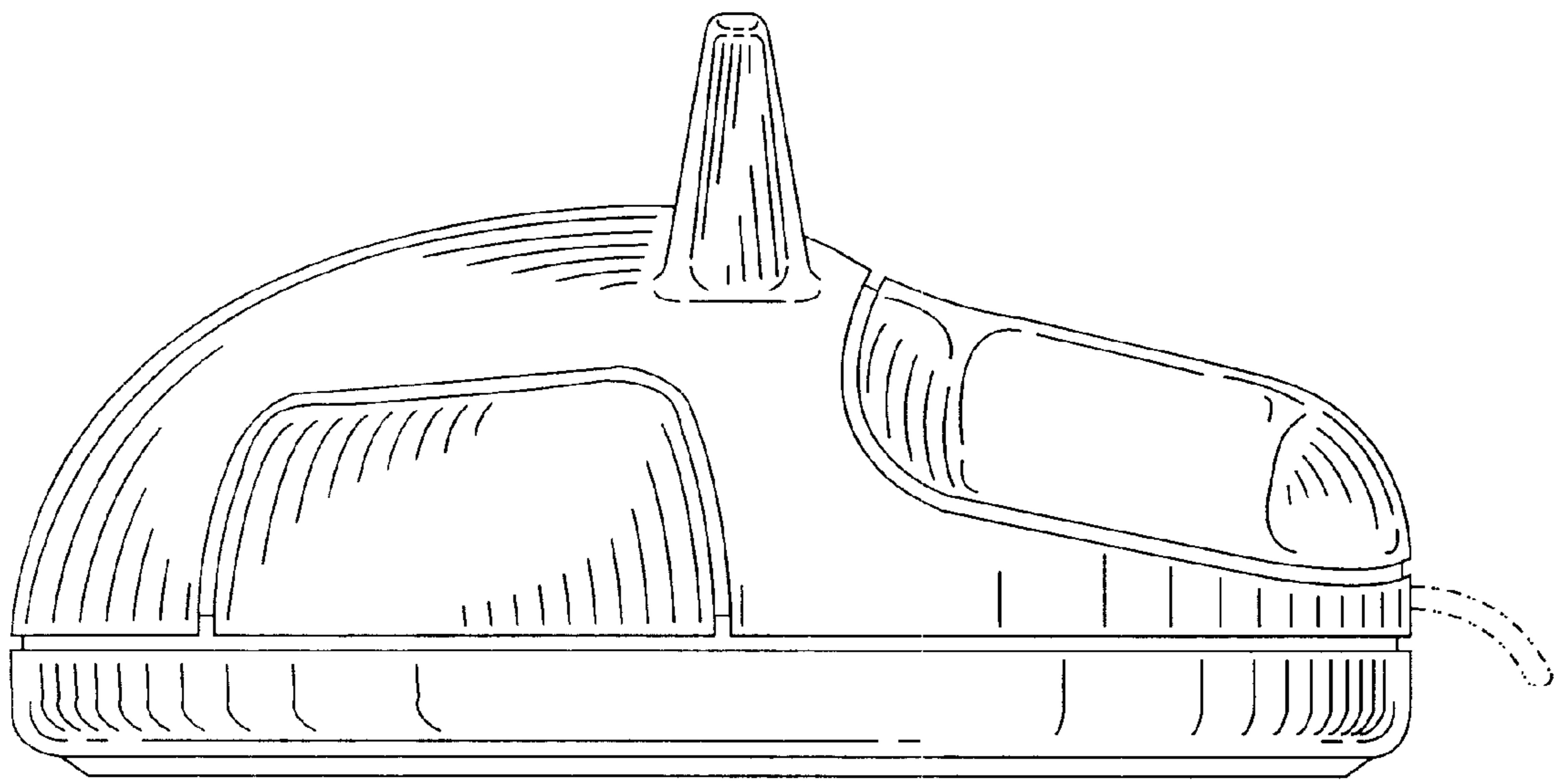


FIG. 4

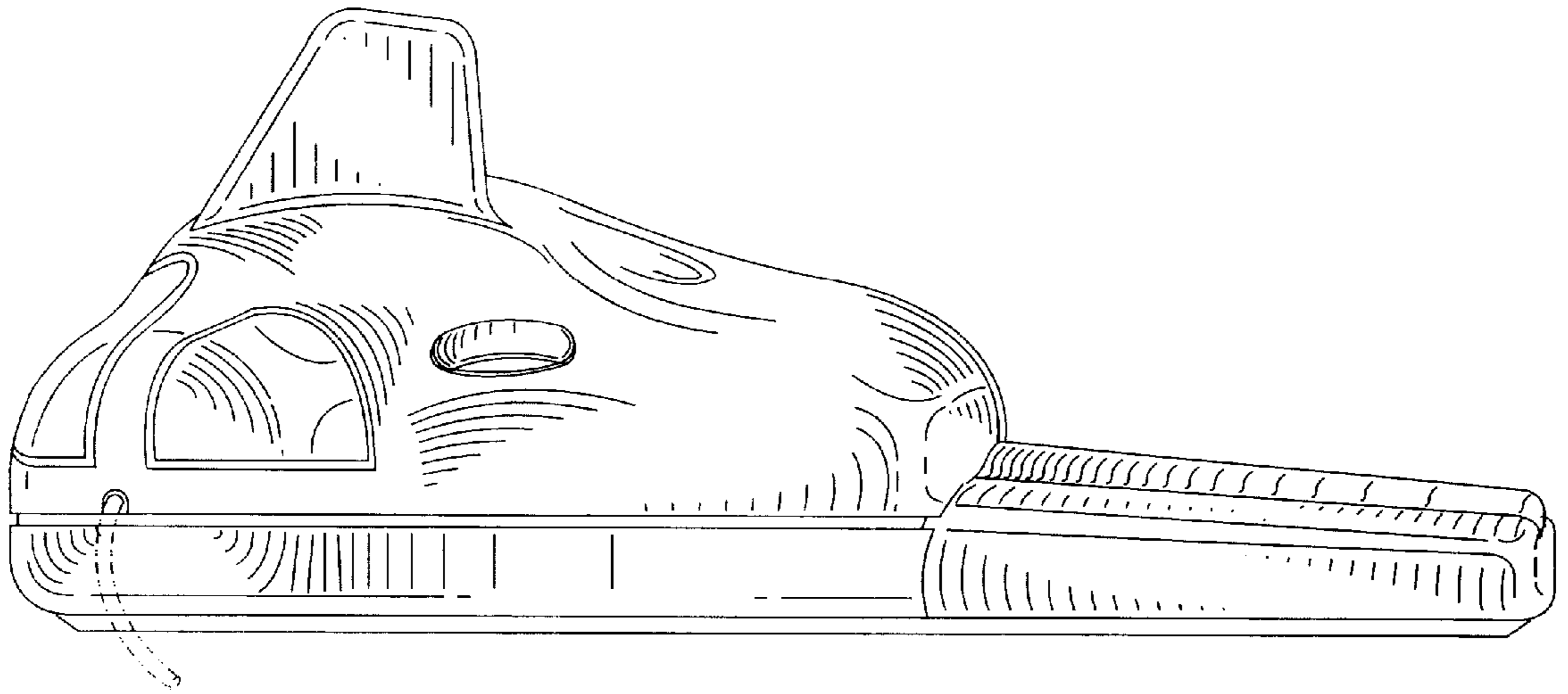


FIG. 5

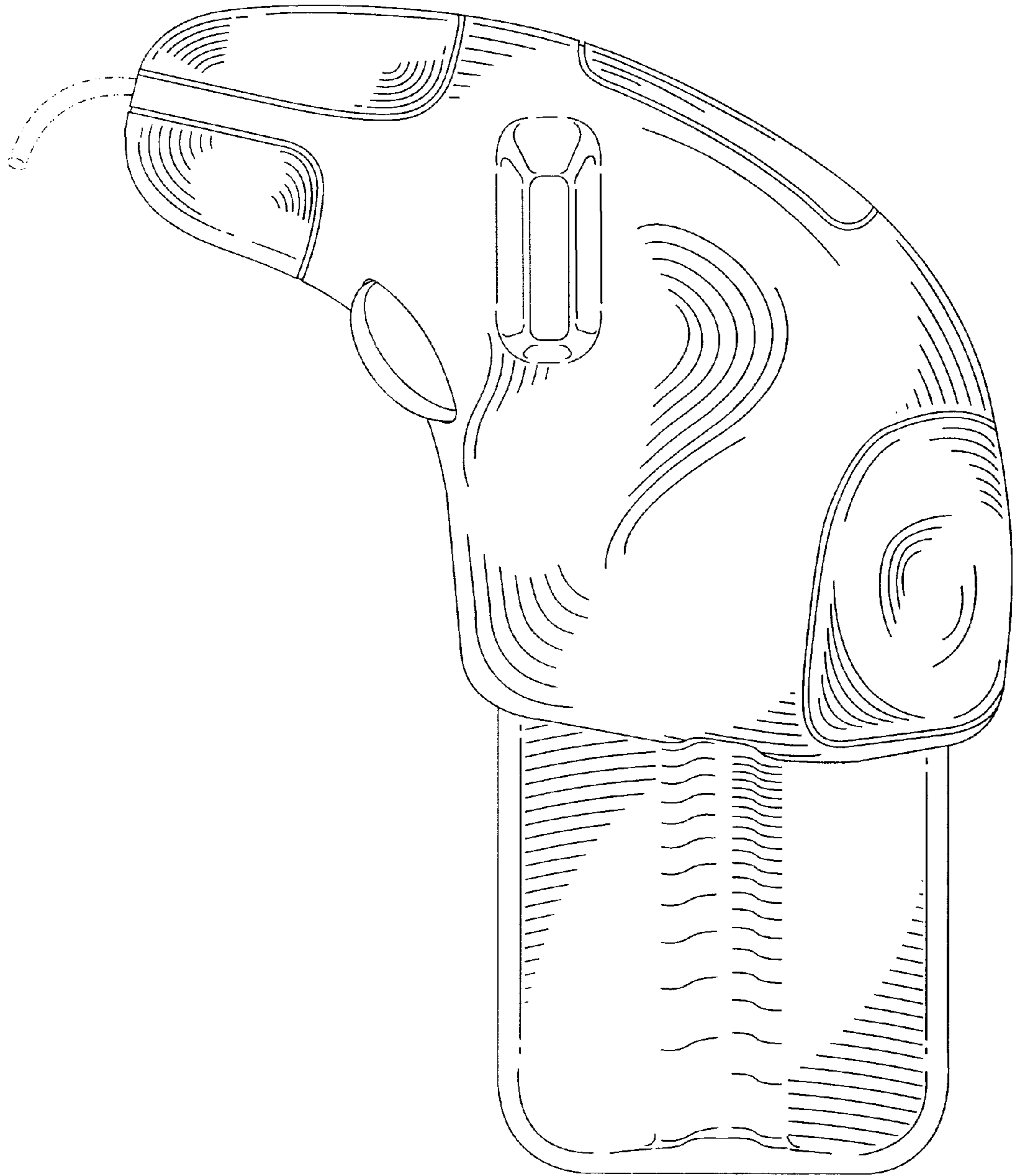


FIG. 6

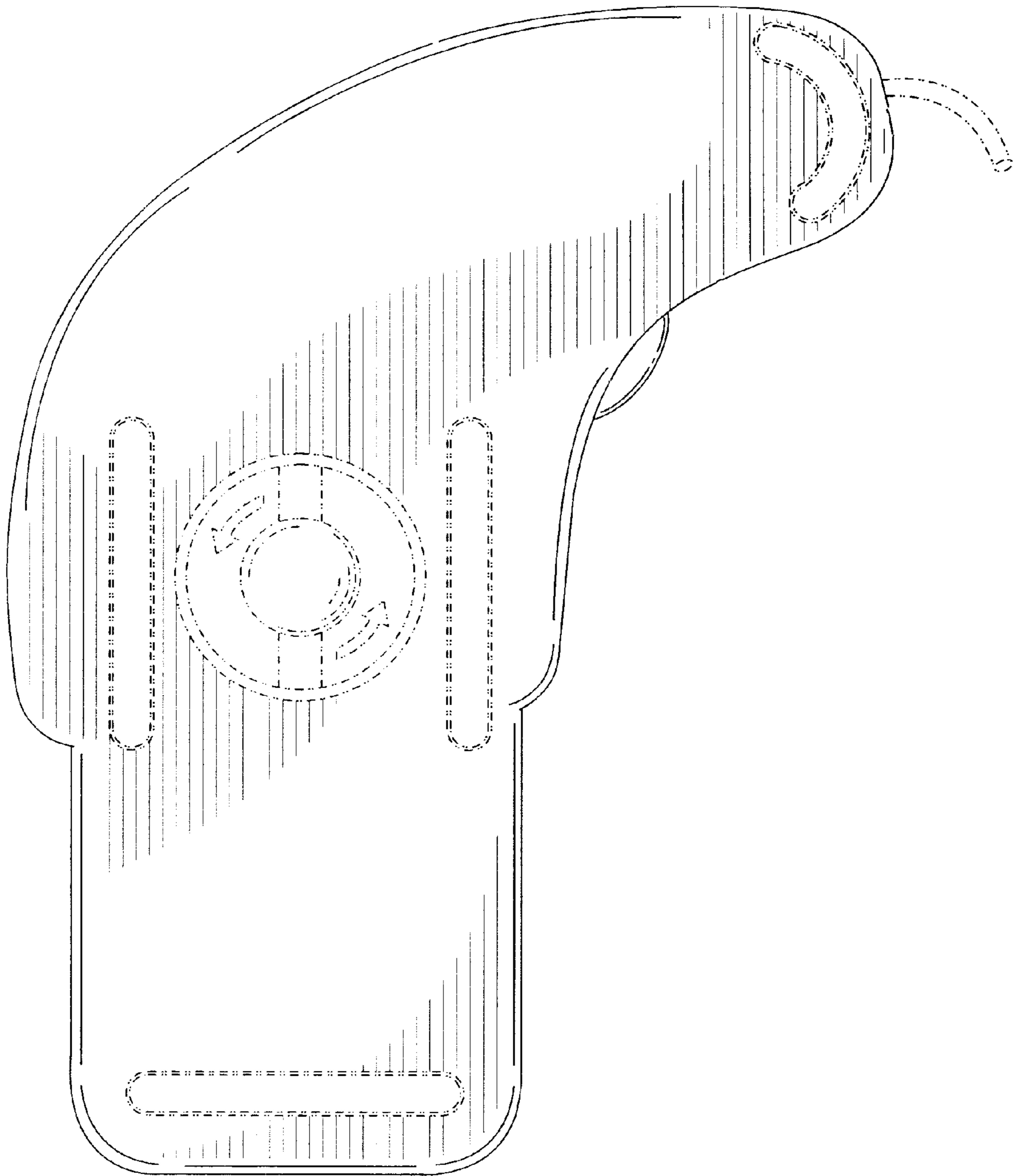


FIG. 7