



US00D418822S

# United States Patent [19]

Worley et al.

[11] **Patent Number: Des. 418,822**

[45] **Date of Patent: \*\* Jan. 11, 2000**

[54] **HOUSING FOR ELECTRONIC APPARATUS**

D. 393,246 4/1998 Fynn et al. .... D14/100

[75] Inventors: **James L. Worley**, Gaithersburg; **Ajay Arora**, Germantown, both of Md.

*Primary Examiner*—Freda Nunn  
*Attorney, Agent, or Firm*—John T. Whelan; Michael W. Sales

[73] Assignee: **Hughes Electronics Corporation**, El Segundo, Calif.

[\*\*] Term: **14 Years**

## [57] CLAIM

The ornamental design for a housing for electronic apparatus, as shown and described.

[21] Appl. No.: **29/094,881**

[22] Filed: **Oct. 13, 1998**

## DESCRIPTION

[51] **LOC (7) Cl.** ..... **14-02**

[52] **U.S. Cl.** ..... **D14/100; D14/109; D13/162**

[58] **Field of Search** ..... D14/100, 107, D14/108, 109; D13/162, 184, 199; D6/432, 436, 445, 448; 312/194; 360/99.01-99.12; 361/690-696

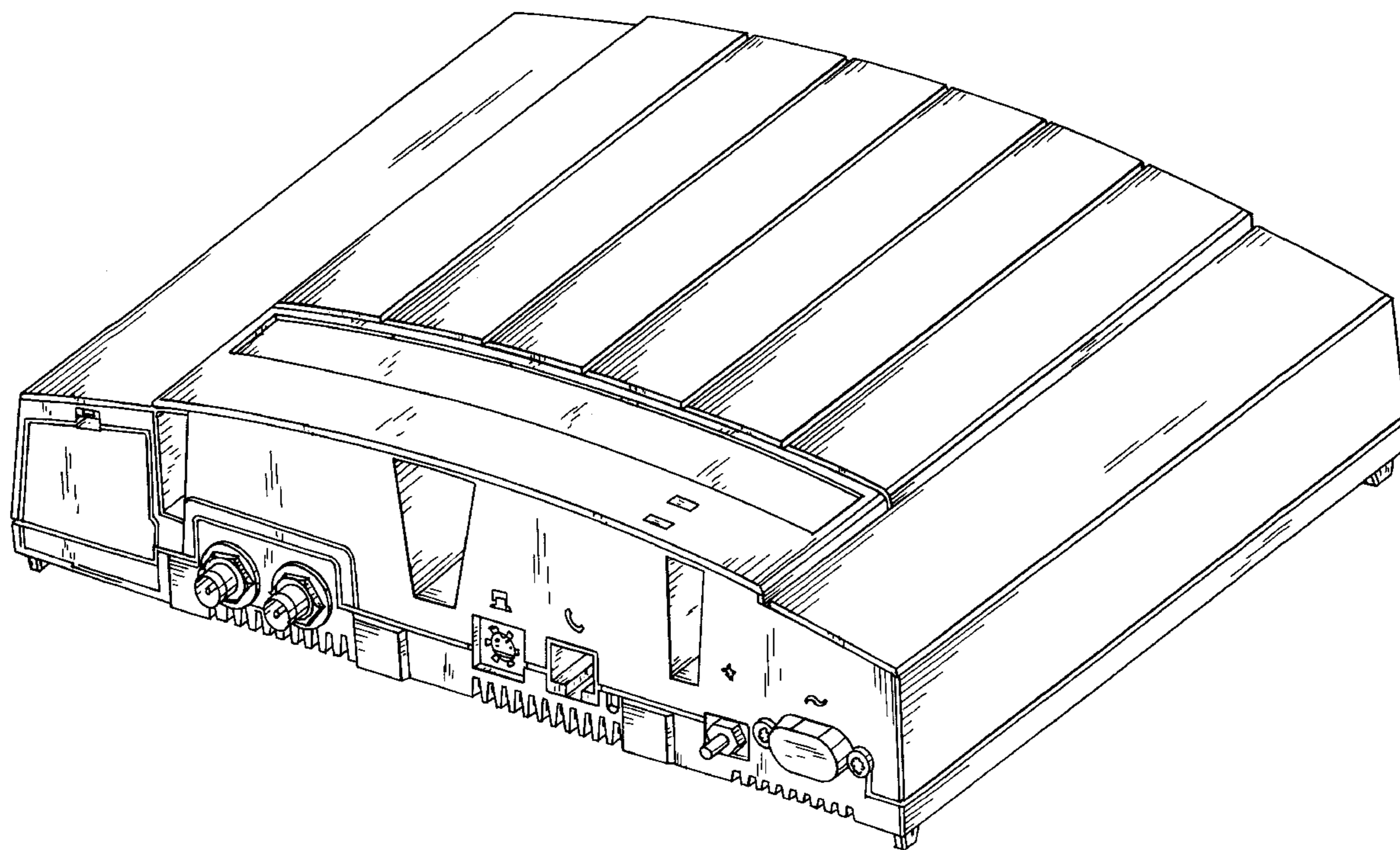
FIG. 1 is a perspective view of a housing for electronic apparatus showing our new design;  
FIG. 2 is a front elevation view;  
FIG. 3 is a rear elevation view.  
FIG. 4 is a top plan view;  
FIG. 5 is a bottom plan view; and,  
FIG. 6 is a left side elevation view, the right side being a mirror image.

## [56] References Cited

### U.S. PATENT DOCUMENTS

D. 368,468 4/1996 Kobayashi ..... D14/100

**1 Claim, 6 Drawing Sheets**



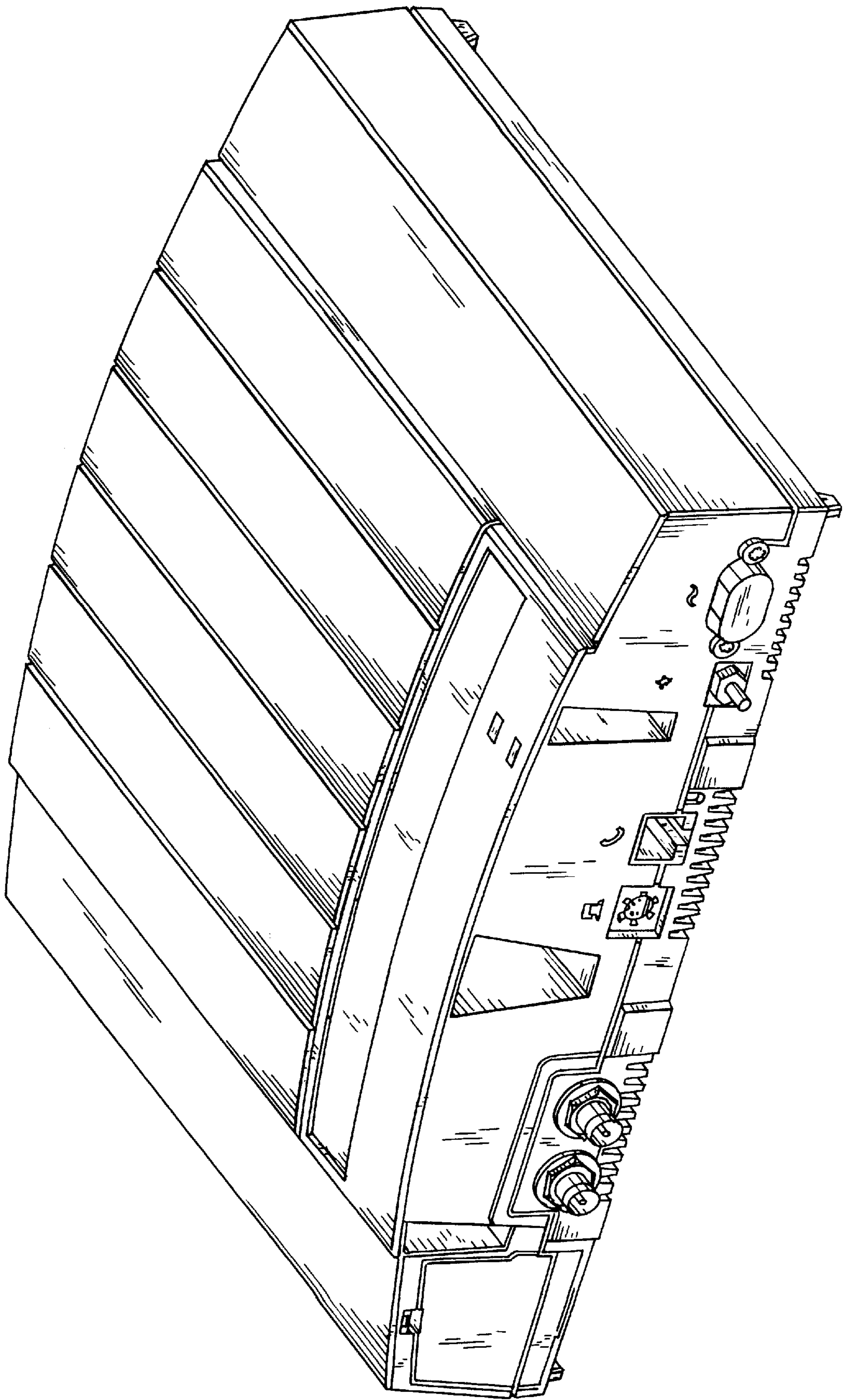


Figure 1

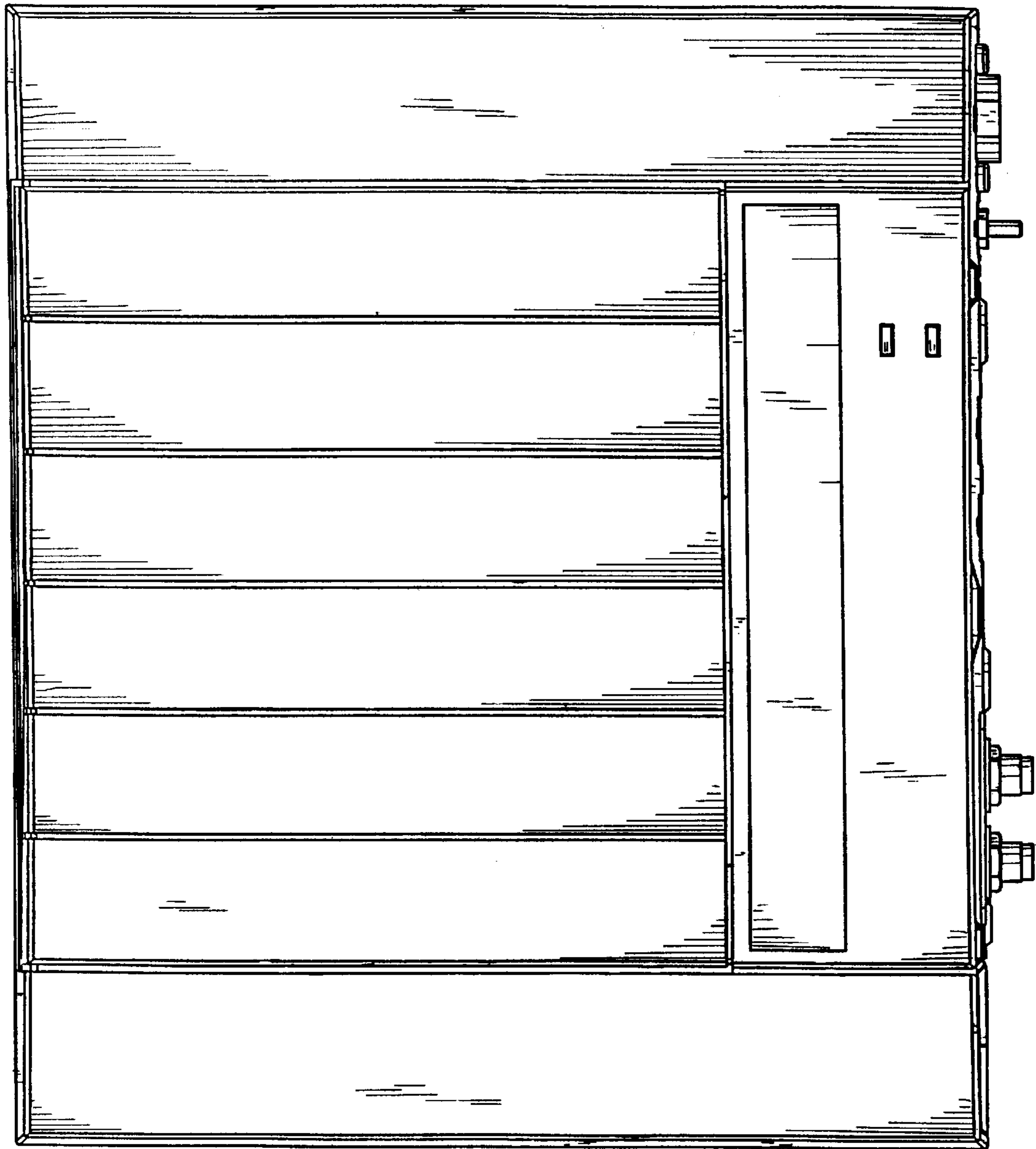


Figure 2



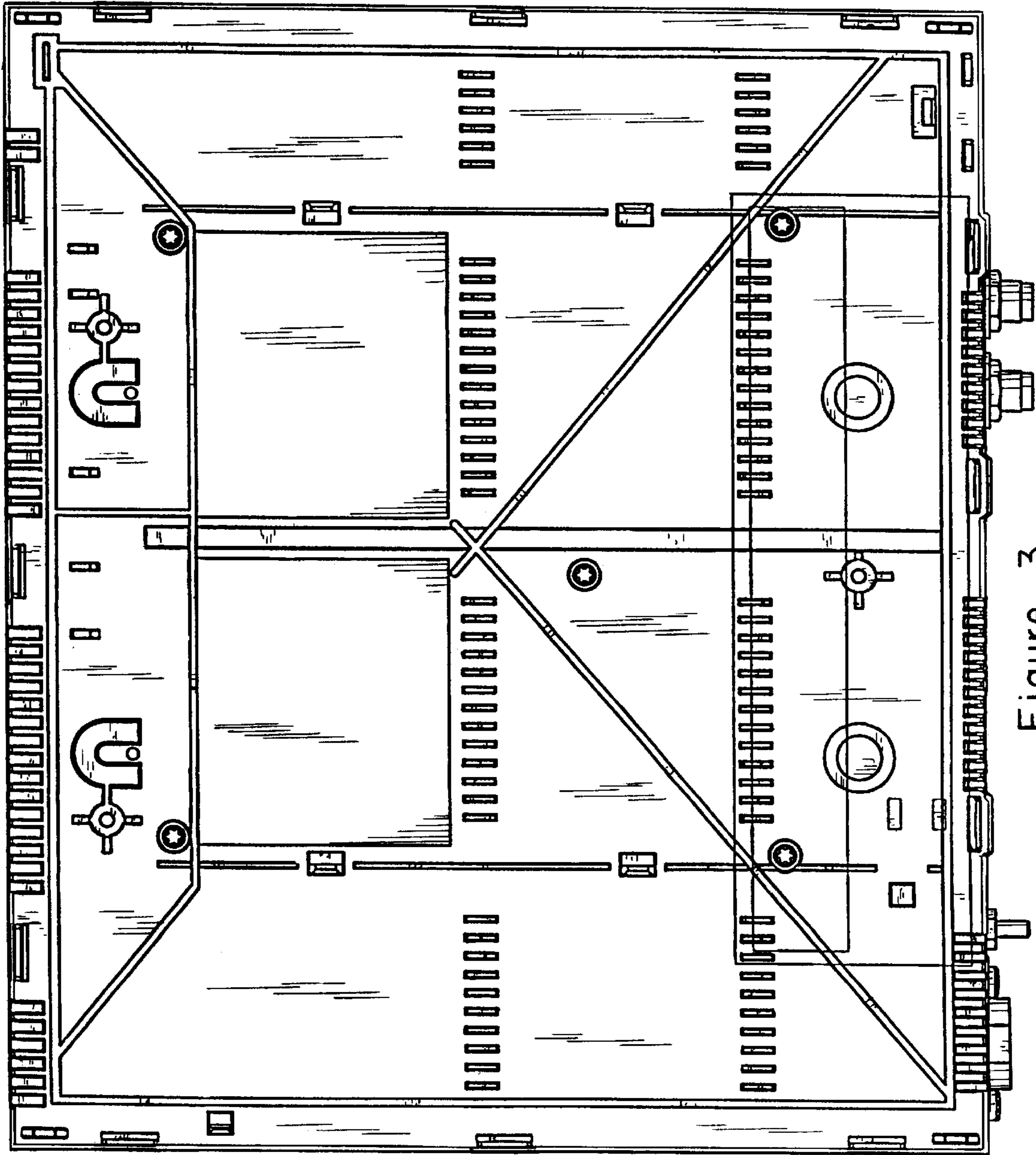


Figure 3

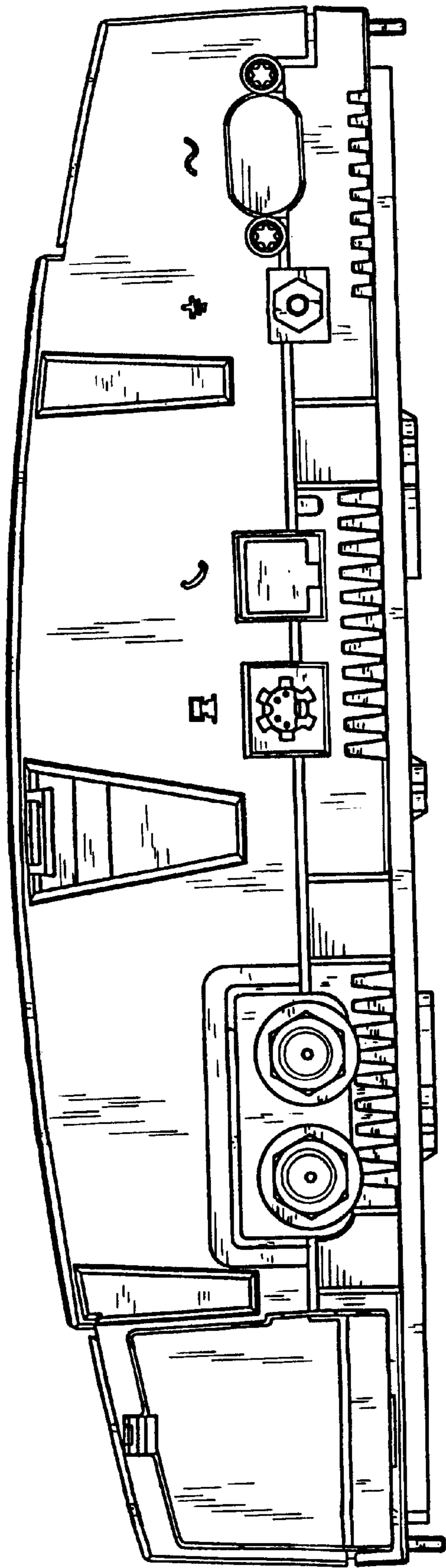


Figure 4

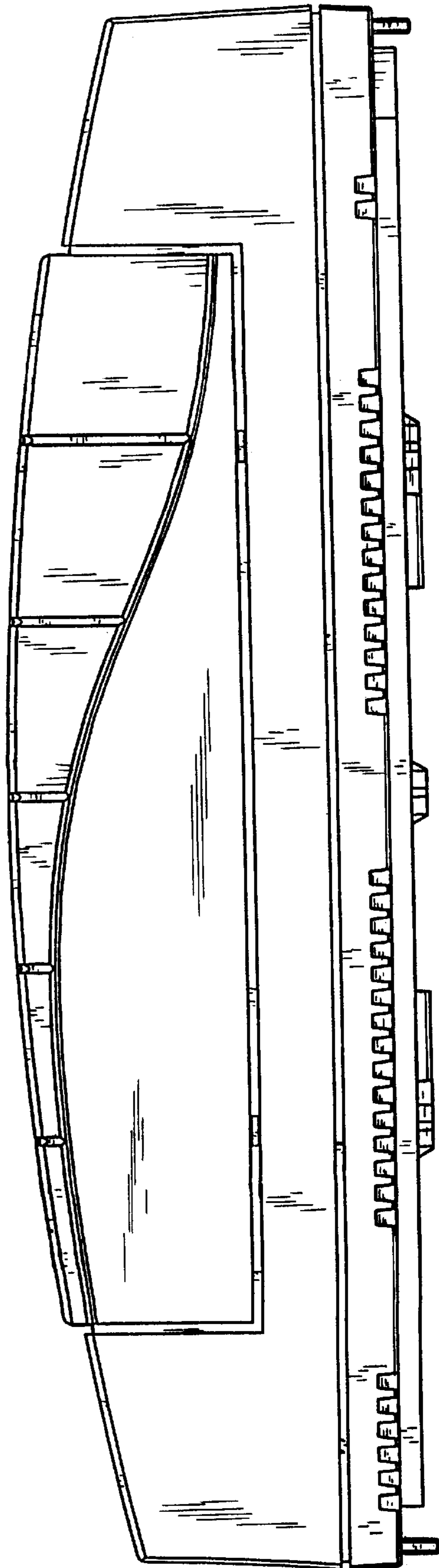


Figure 5

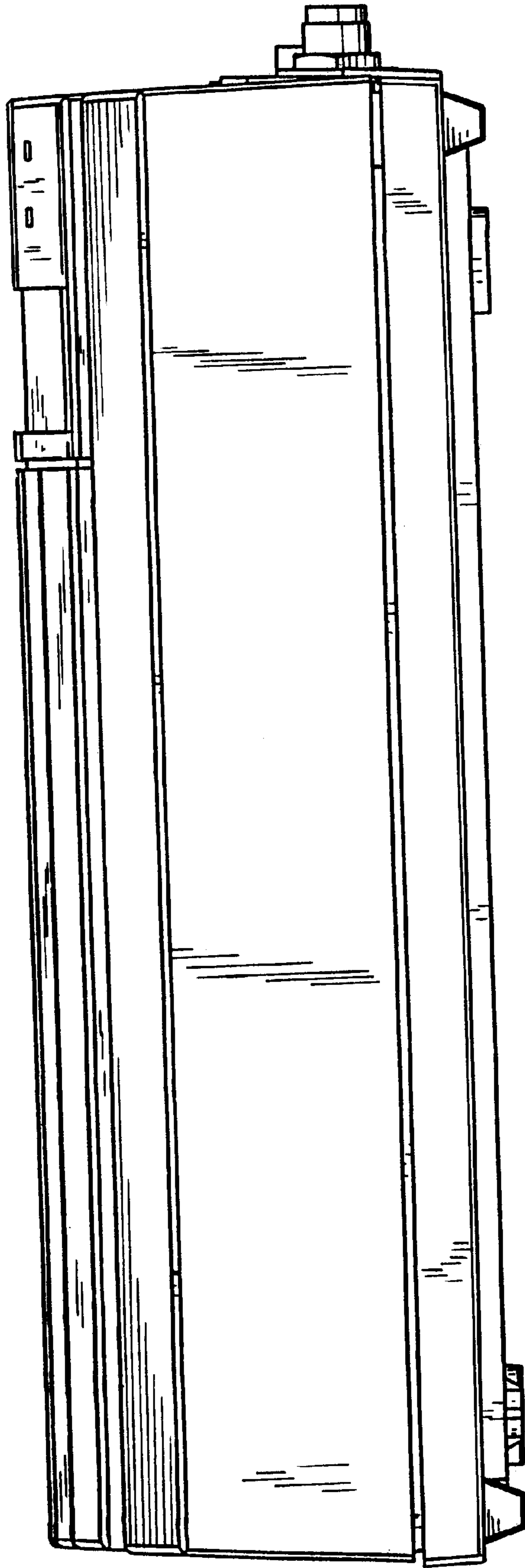


Figure 6