



US00D418821S

United States Patent [19] Ikenaga

[11] **Patent Number: Des. 418,821**
[45] **Date of Patent: ** Jan. 11, 2000**

[54] **COMPUTER**

[75] Inventor: **Takashi Ikenaga**, Tokyo, Japan

[73] Assignee: **Sony Corporation**, Tokyo, Japan

[**] Term: **14 Years**

[21] Appl. No.: **29/094,218**

[22] Filed: **Sep. 28, 1998**

[30] Foreign Application Priority Data

Apr. 2, 1998 [JP] Japan 10-9185

[51] **LOC (7) Cl.** **14-02**

[52] **U.S. Cl.** **D14/100; D14/102**

[58] **Field of Search** D14/100, 102,
D14/107-109; D13/162, 184, 199; D6/432,
436, 445, 448; 312/223.1, 223.2; 360/99.12;
361/690-696; 369/34, 36

[56] References Cited

U.S. PATENT DOCUMENTS

D. 378,084 2/1997 Hayami et al. D14/109
D. 382,859 8/1997 Alfonso et al. D14/100

D. 396,216 7/1998 Chen et al. D14/100

Primary Examiner—Freda Nunn
Attorney, Agent, or Firm—Foley & Lardner

[57] CLAIM

The ornamental design for a computer, as shown and described.

DESCRIPTION

FIG. 1 is a perspective view of a first embodiment of a computer showing my new design;
FIG. 2 is a top plan view thereof;
FIG. 3 is a left side elevational view thereof;
FIG. 4 is a front elevational view thereof;
FIG. 5 is a bottom plan view thereof; and
FIG. 6 is a right side elevational view thereof.
FIG. 7 is a second embodiment thereof;
FIG. 8 is a top plan view thereof;
FIG. 9 is a left side elevational view thereof;
FIG. 10 is a front elevational view thereof;
FIG. 11 is a bottom plan view thereof;
FIG. 12 is a right side elevational view thereof; and,
FIG. 13 is a rear elevational view thereof.

1 Claim, 6 Drawing Sheets

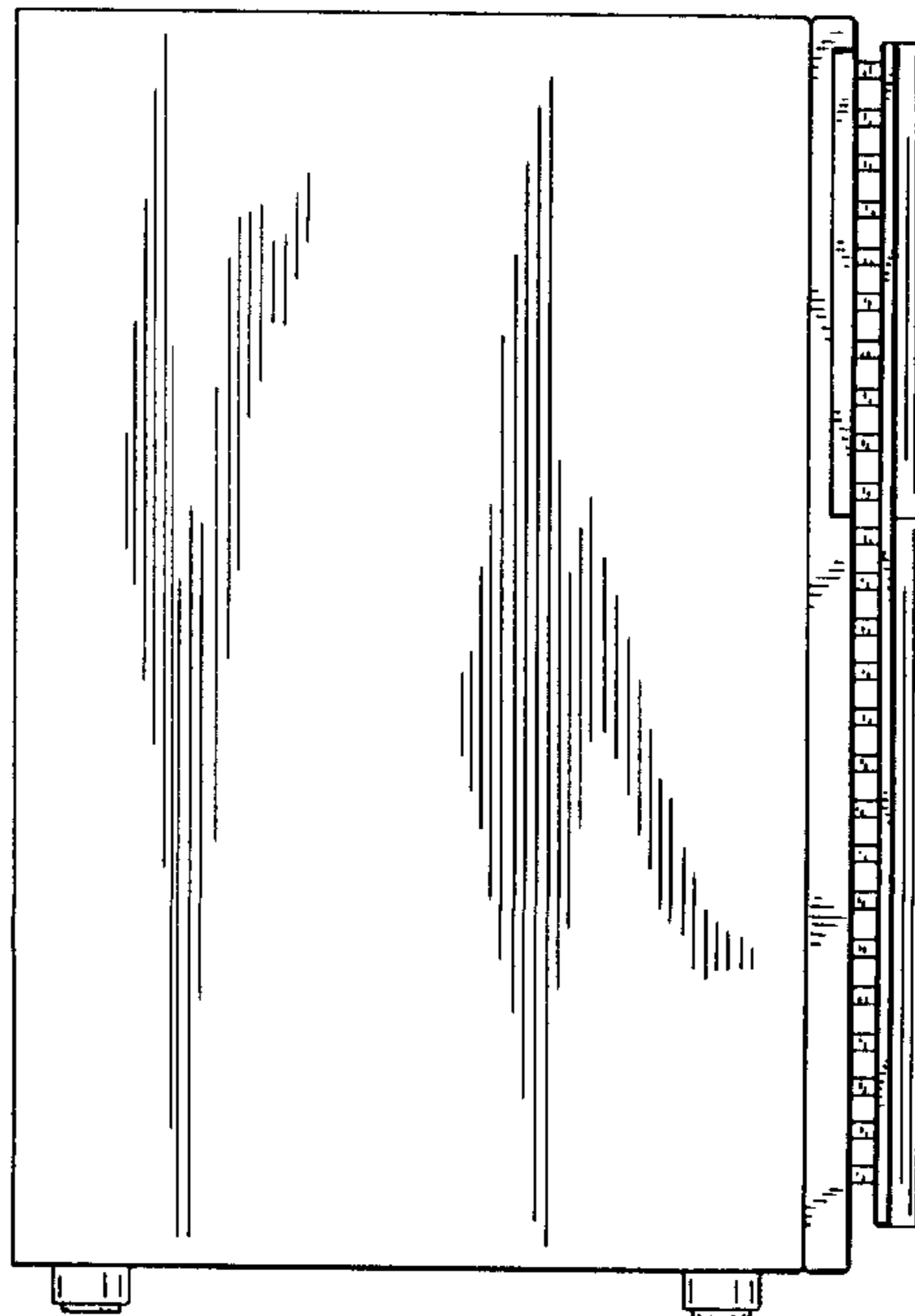
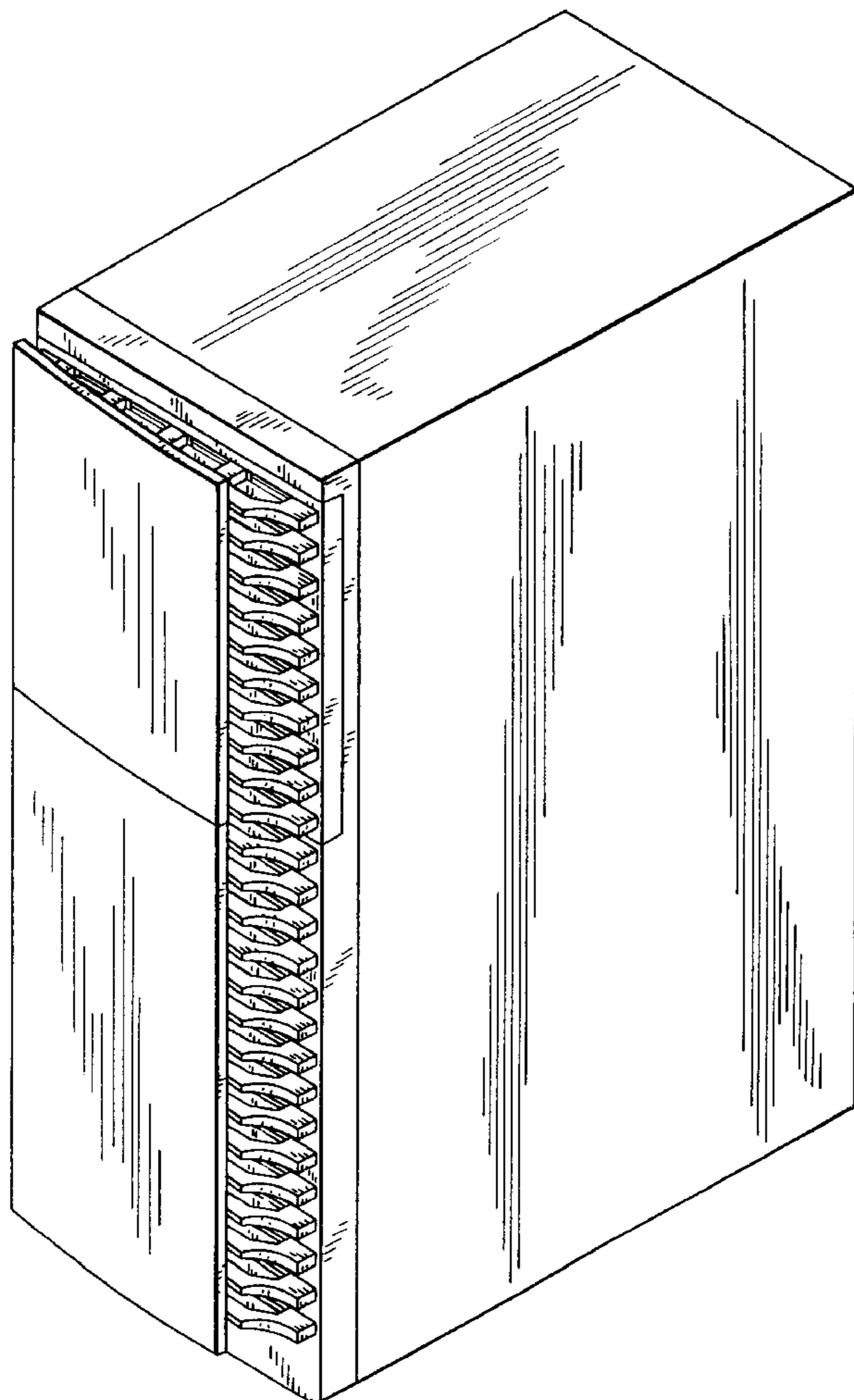


FIG. 1

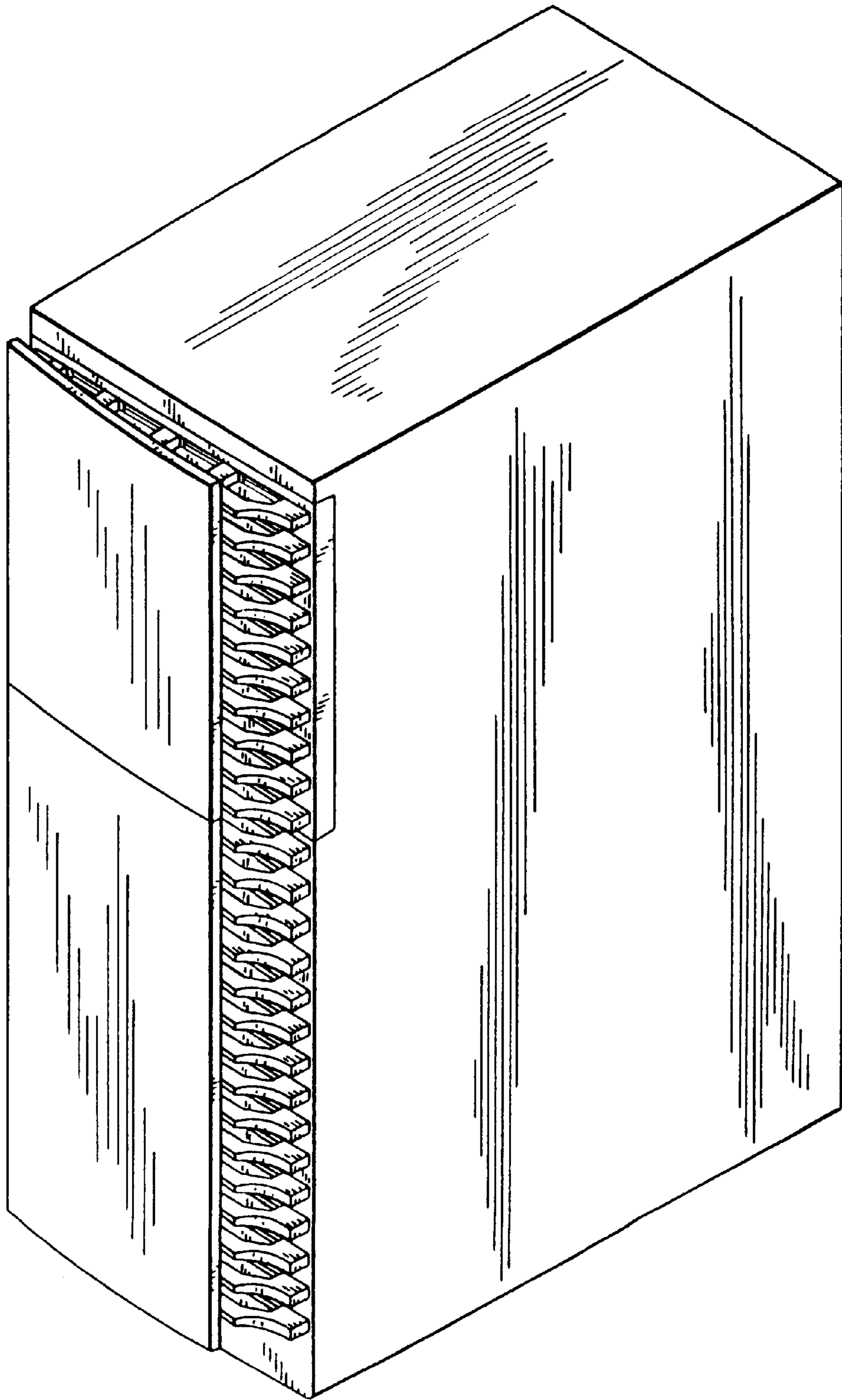


FIG. 2

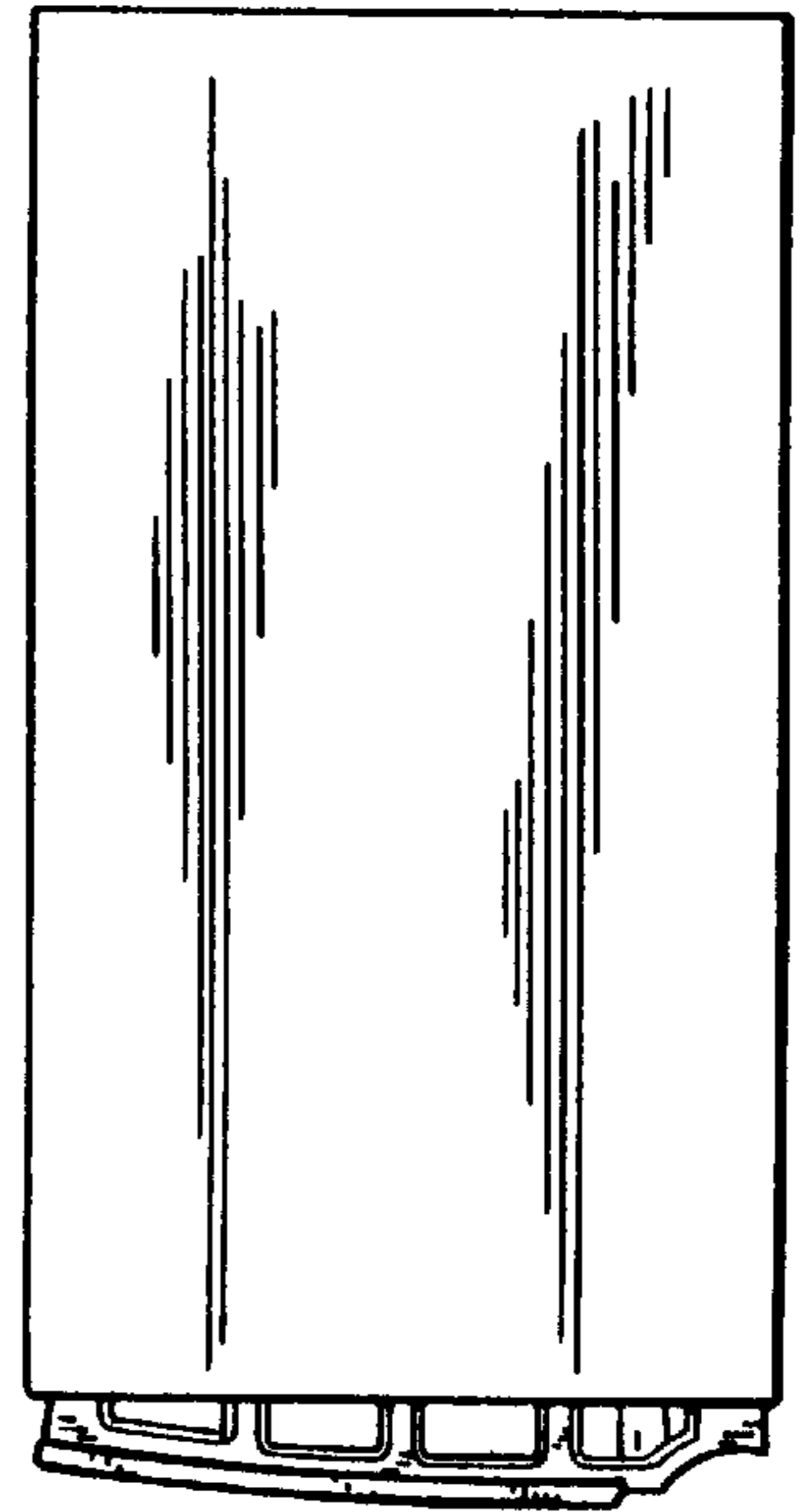


FIG. 3

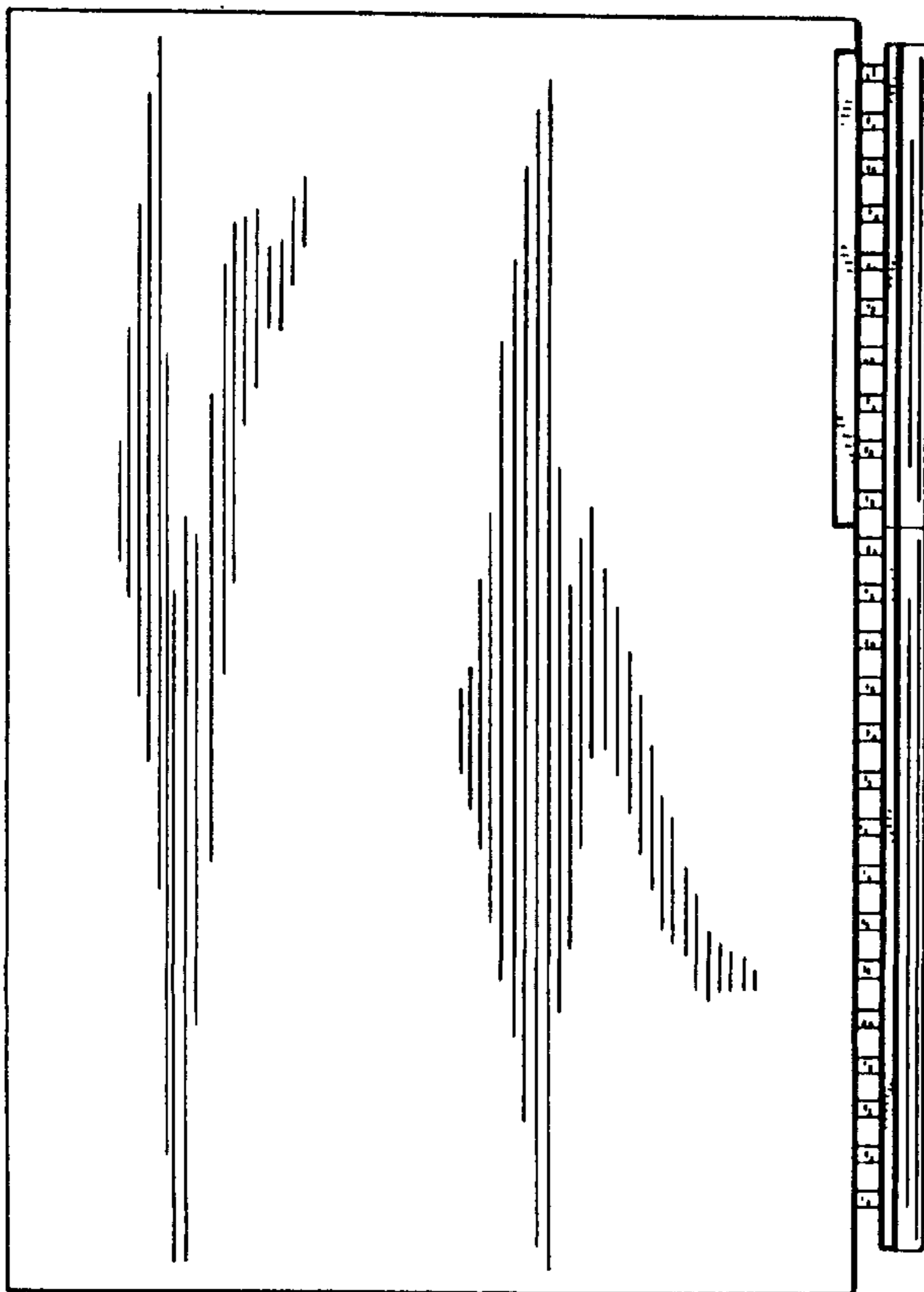


FIG. 4

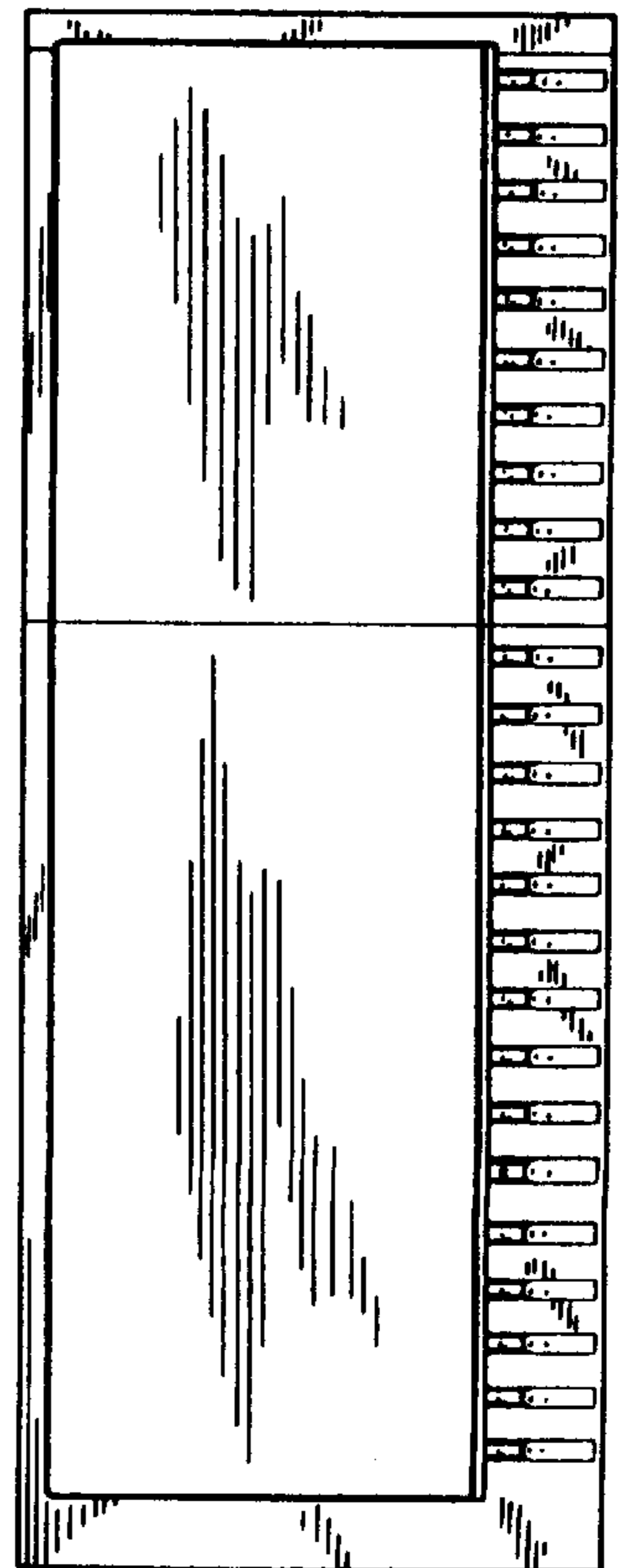


FIG. 6

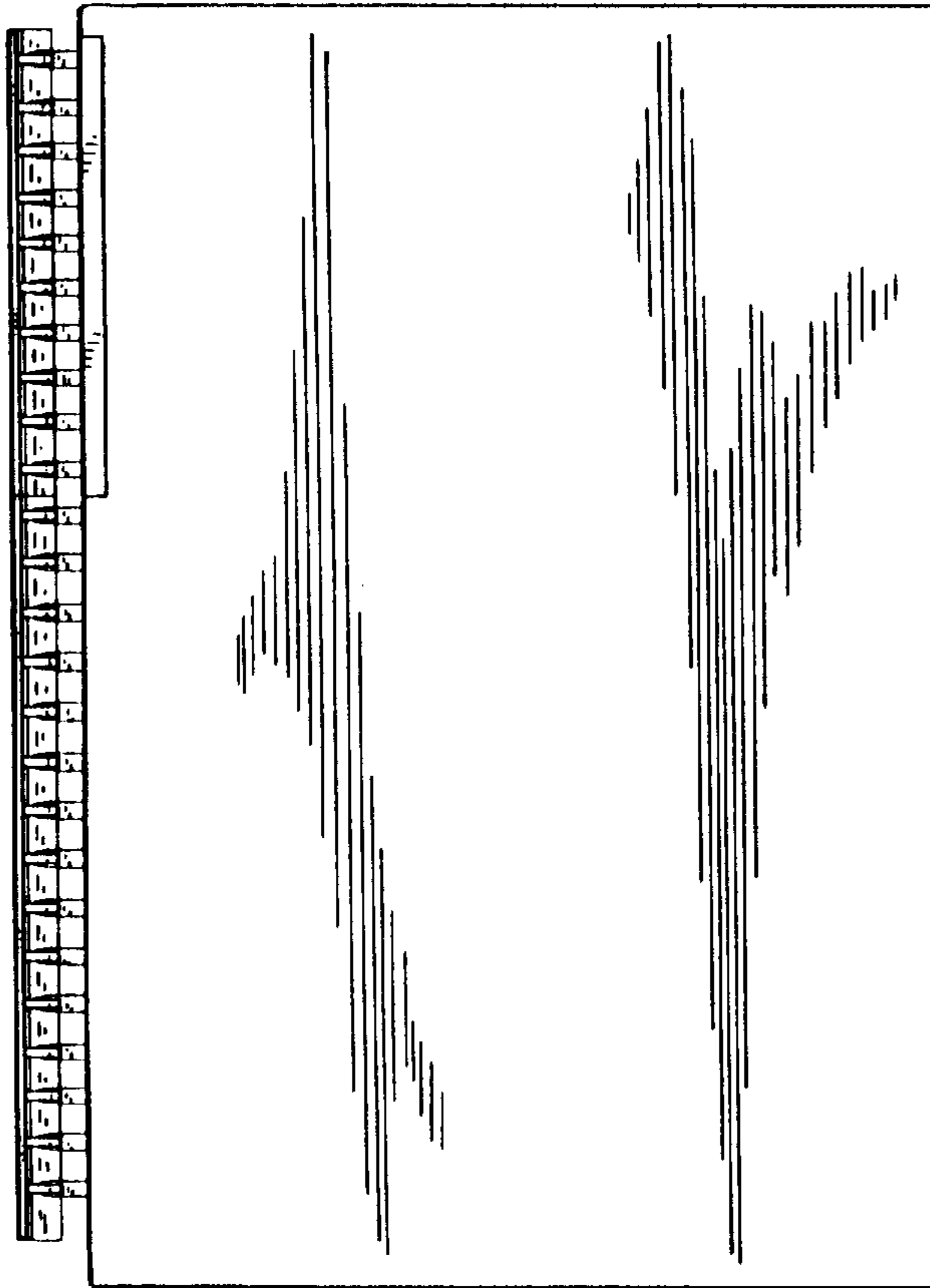


FIG. 5

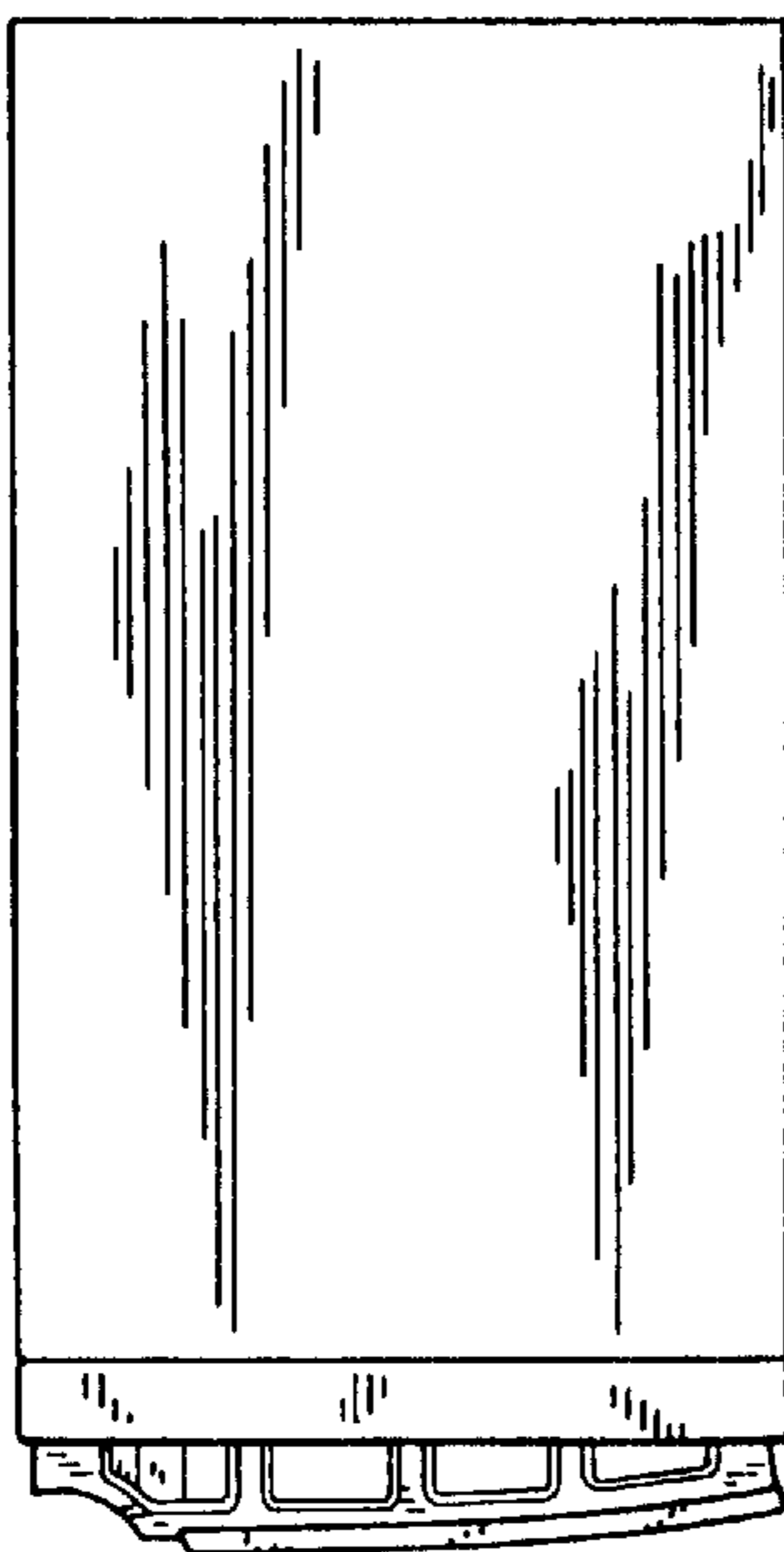


FIG. 7

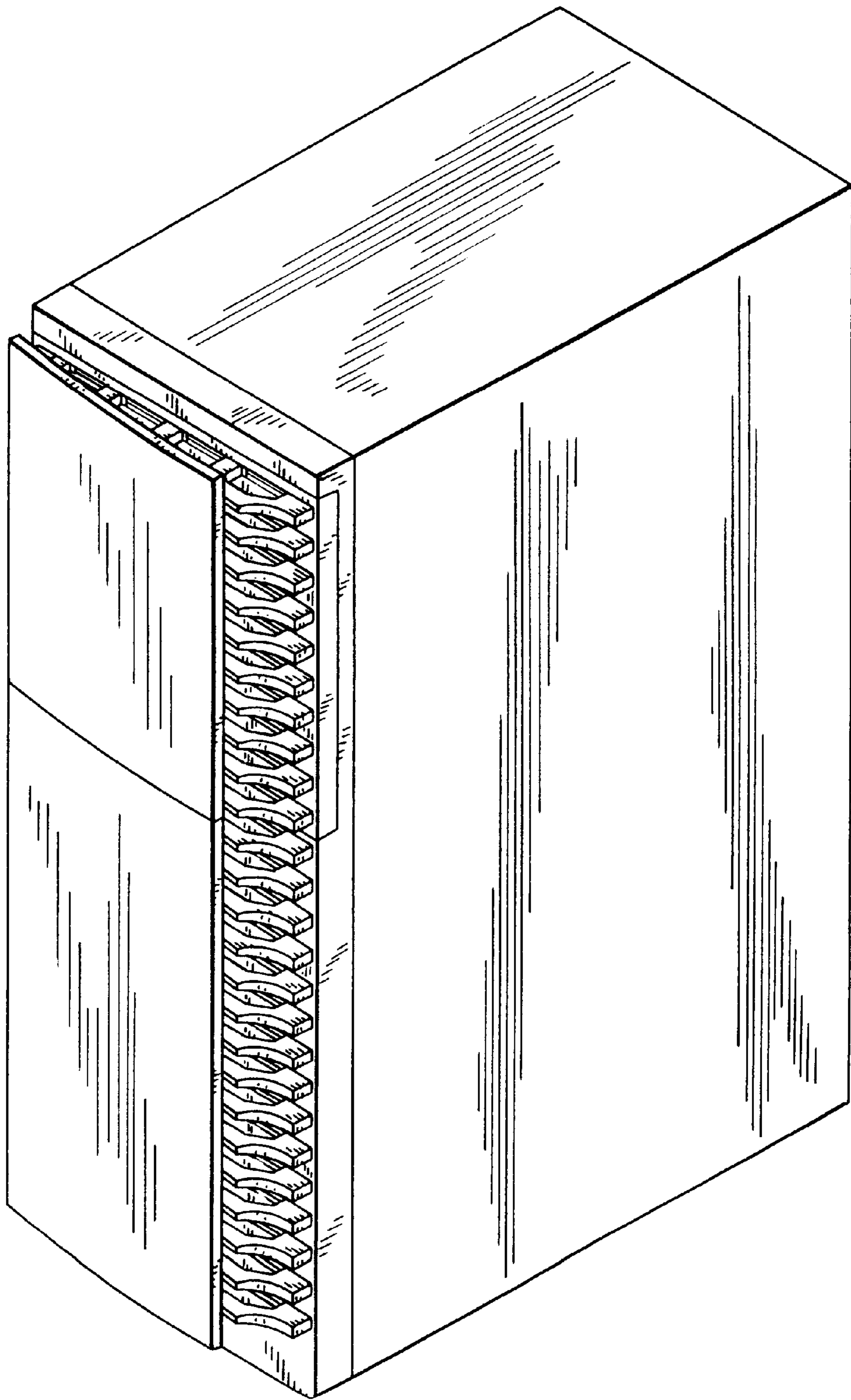


FIG. 8

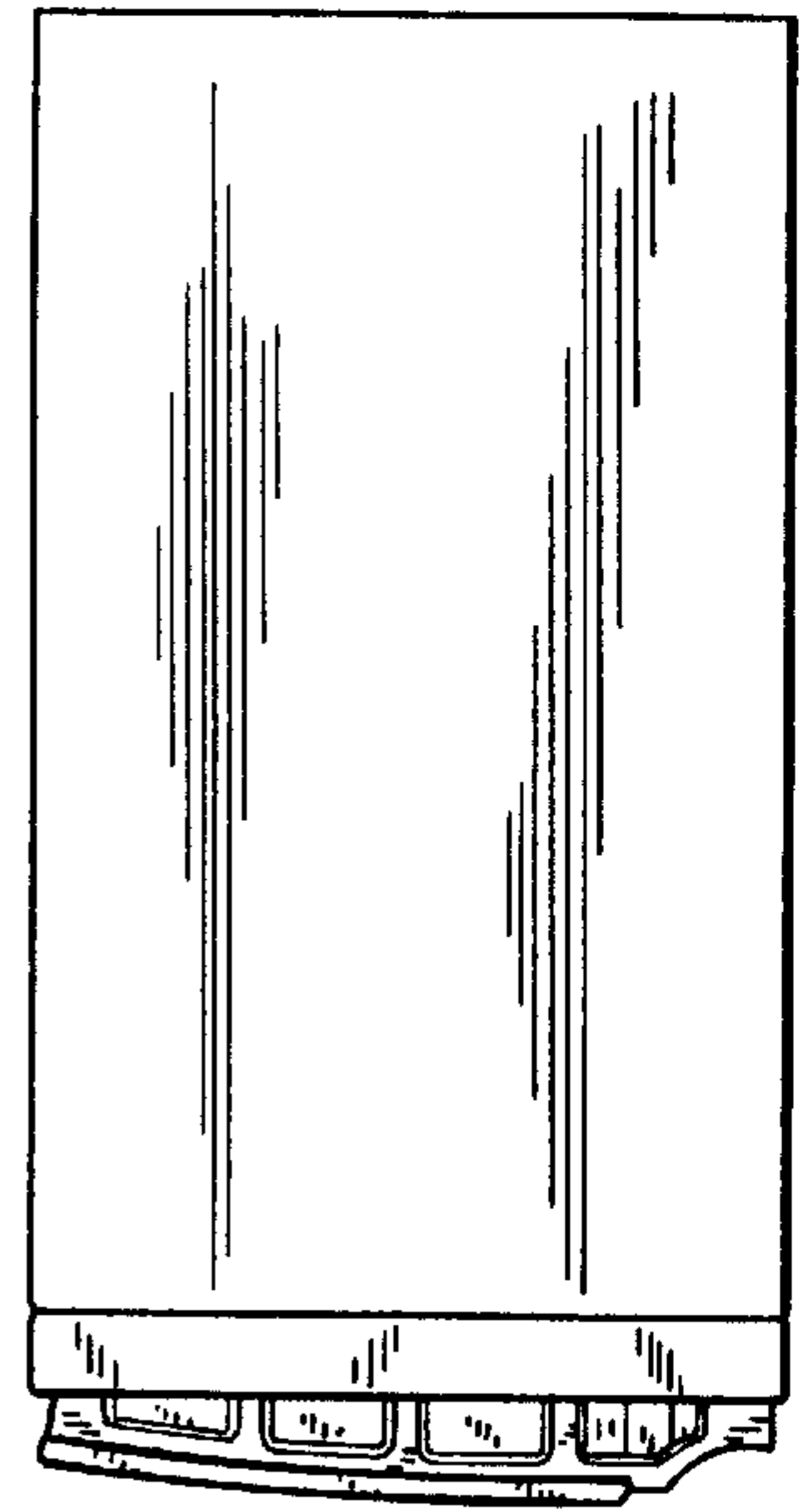


FIG. 9

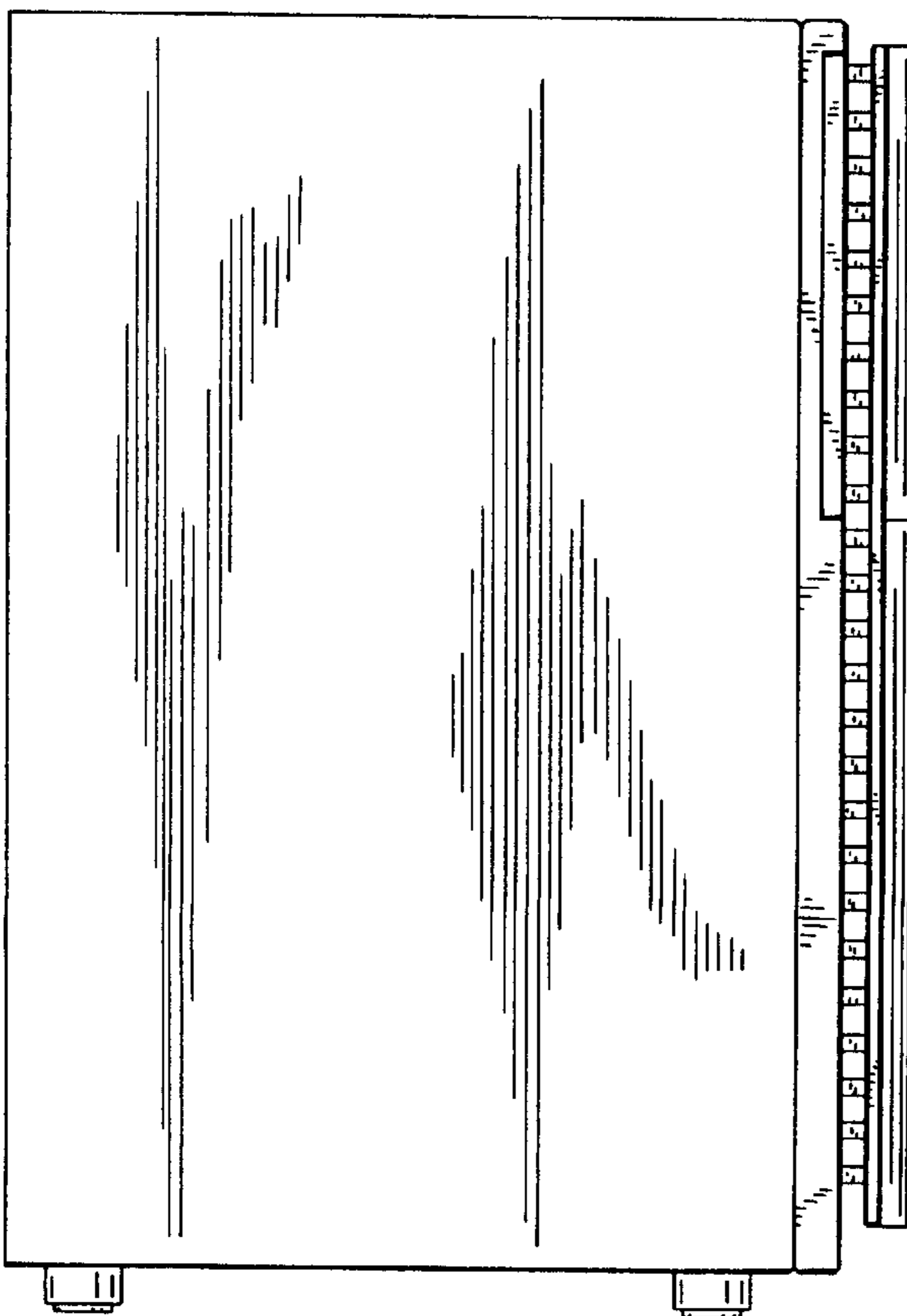


FIG. 10

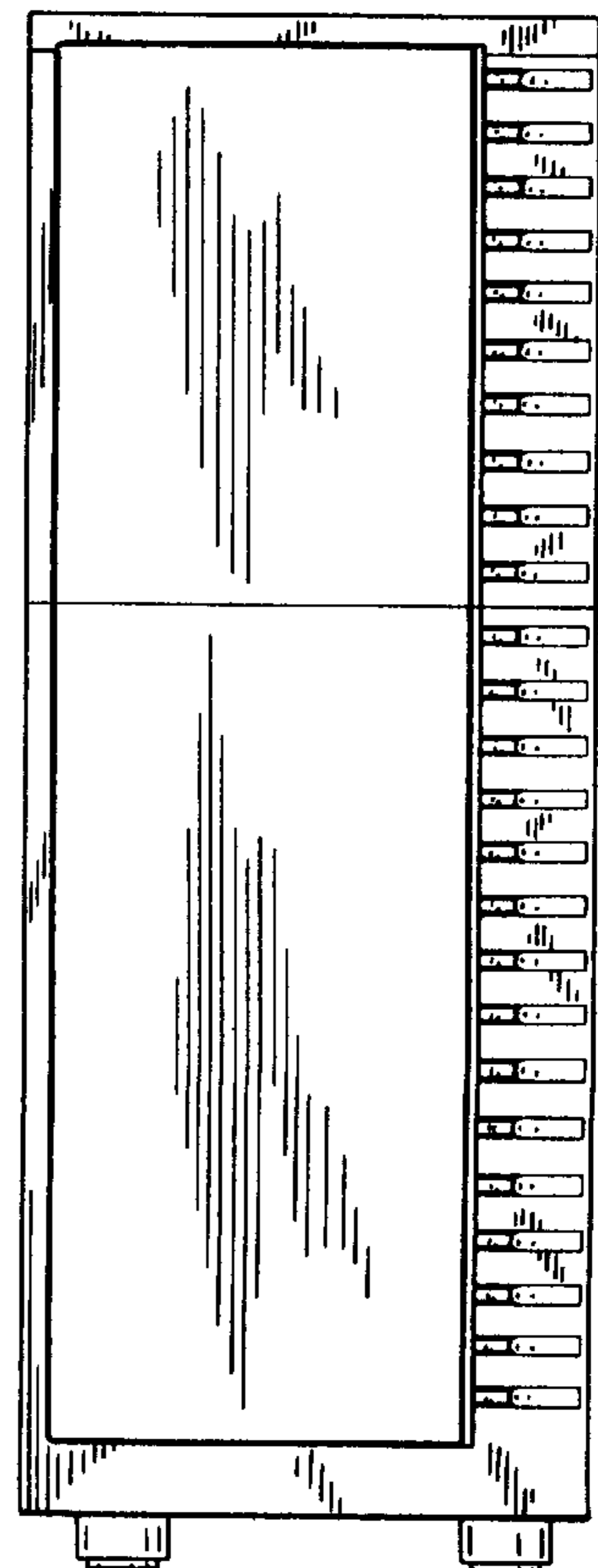


FIG. 12

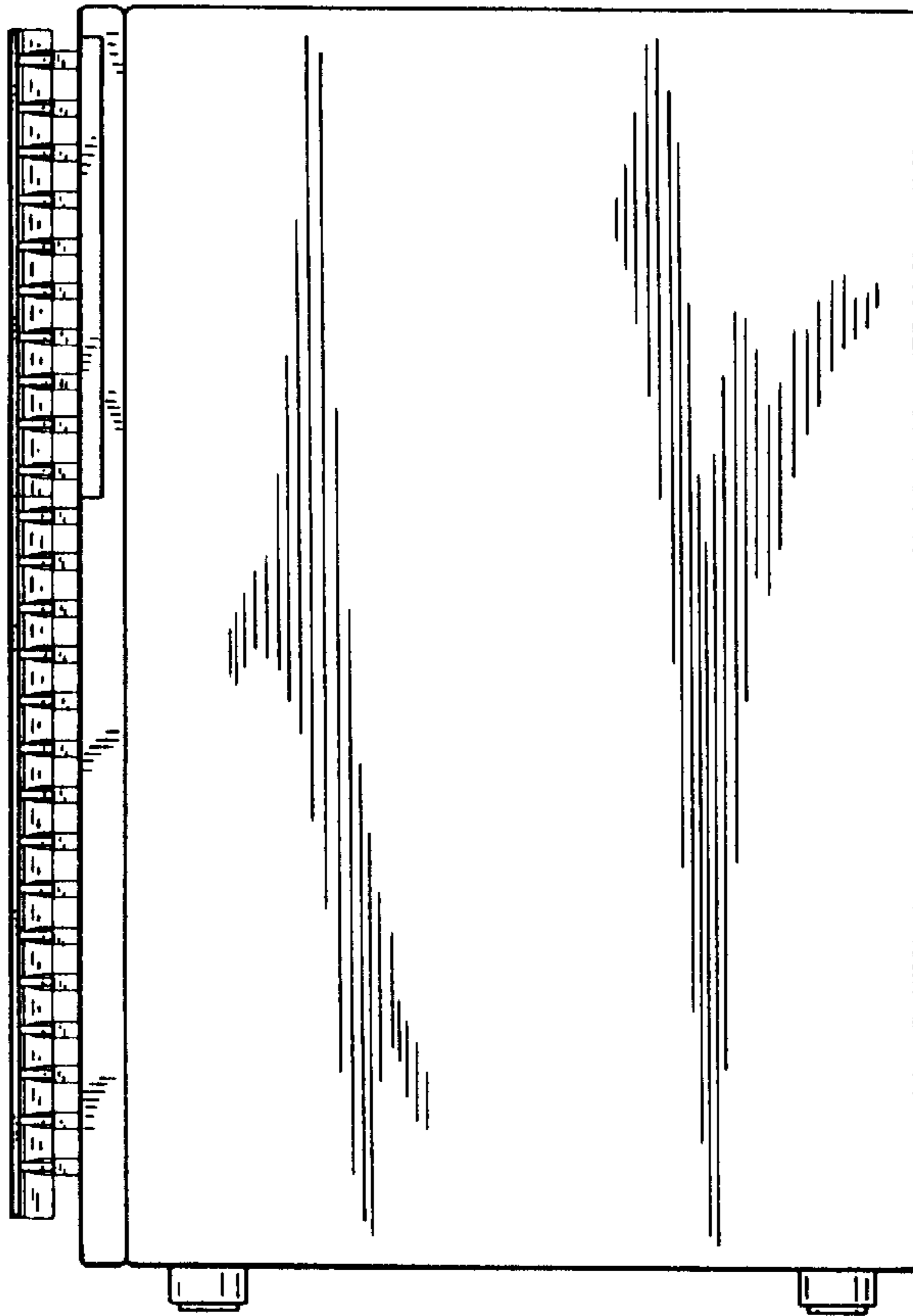


FIG. 13

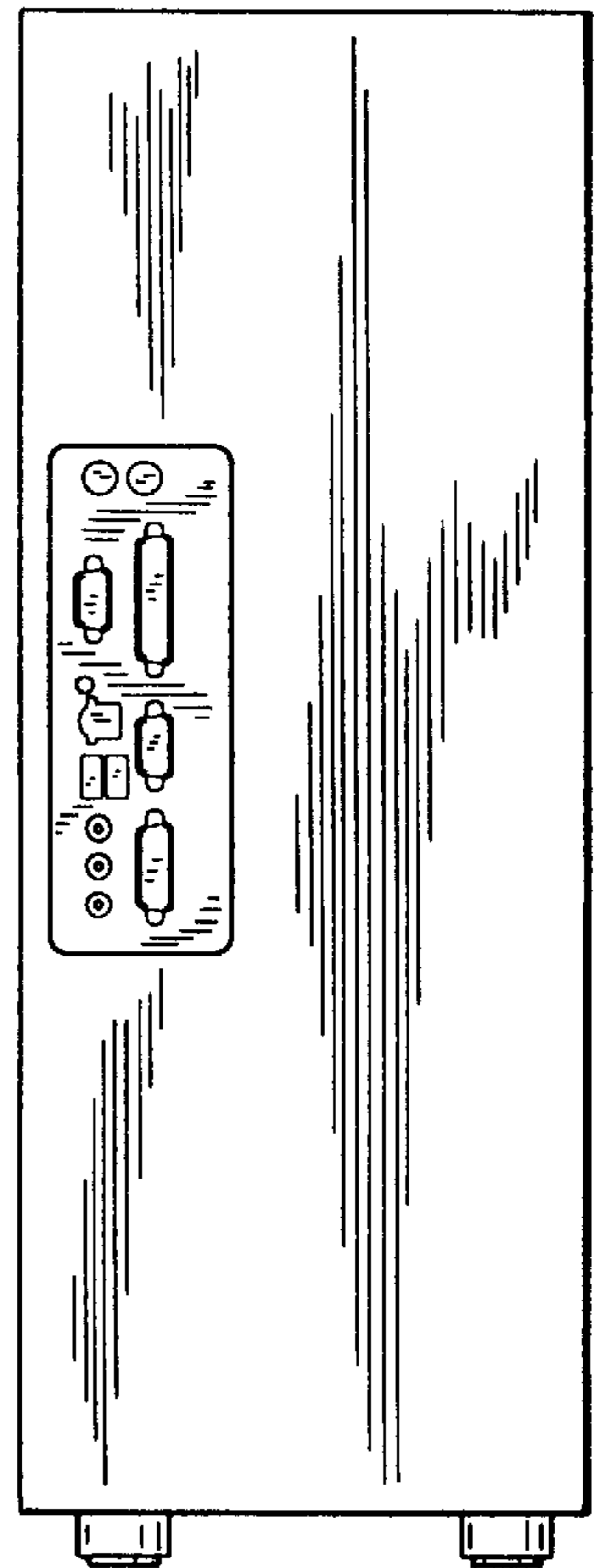


FIG. 11

