



US00D418819S

United States Patent [19] Rao

[11] **Patent Number: Des. 418,819**

[45] **Date of Patent: ** Jan. 11, 2000**

[54] **MINIATURE ROTARY ELECTRIC SWITCH**

5,750,947 5/1998 Rao et al. 200/6 R

[75] Inventor: **Chepur P. Rao**, North Kingstown, R.I.

Primary Examiner—Alan P. Douglas
Assistant Examiner—Lavone D. Tabor
Attorney, Agent, or Firm—Kriegsman & Kriegsman

[73] Assignee: **Tower Manufacturing Corporation**,
Providence, R.I.

[**] Term: **14 Years**

[57] **CLAIM**

The ornamental design for a miniature rotary electric switch,
as shown and described.

[21] Appl. No.: **29/089,282**

[22] Filed: **Jun. 11, 1998**

DESCRIPTION

[51] **LOC (7) Cl.** **13-03**

FIG. 1 is a perspective view taken from the top, rear and left
side of a miniature rotary electric switch showing my new
design;

[52] **U.S. Cl.** **D13/158**

FIG. 2 is a top plan view thereof;

[58] **Field of Search** D13/158, 173,
D13/174; 200/6 R, 11 R, 303, 329, 336,
564, 570

FIG. 3 is a bottom plan view thereof;

FIG. 4 is a rear view thereof;

FIG. 5 is a right side view thereof;

FIG. 6 is a front view thereof; and,

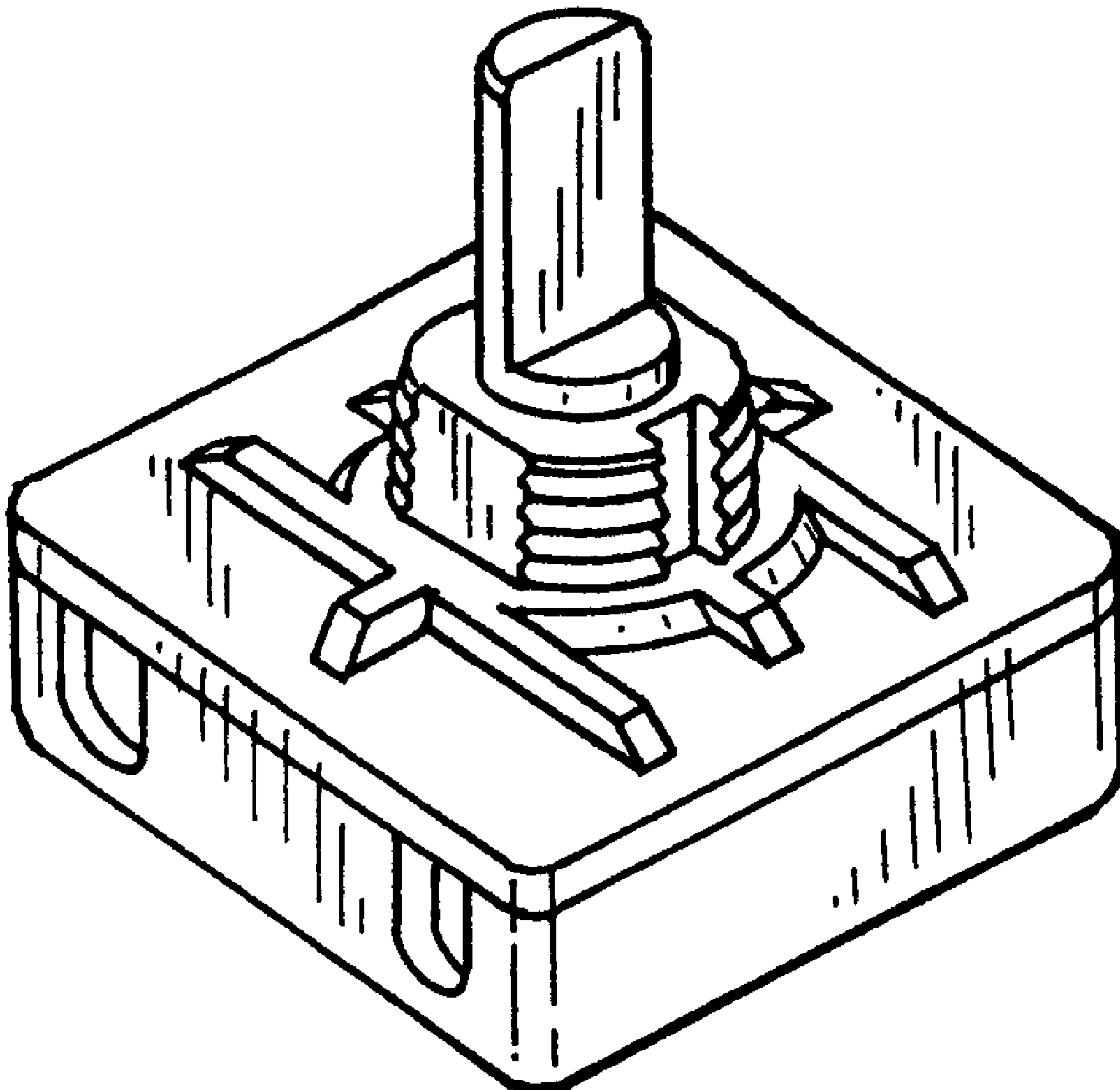
FIG. 7 is a left side view thereof.

[56] **References Cited**

U.S. PATENT DOCUMENTS

4,665,464 5/1987 Vermeulen 200/336 X
5,728,982 3/1998 Rao et al. 200/6 R

1 Claim, 1 Drawing Sheet



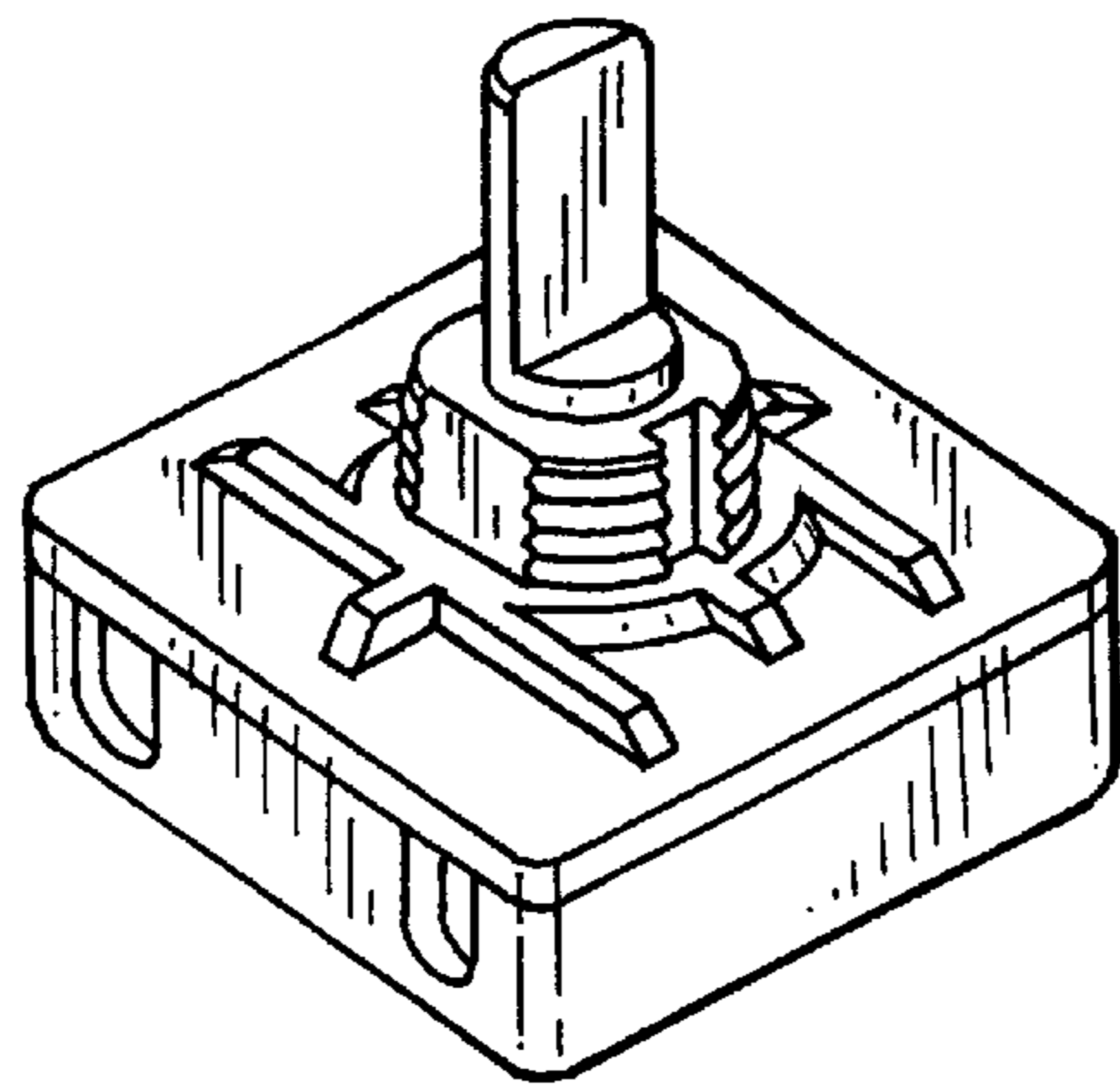


FIG. 1

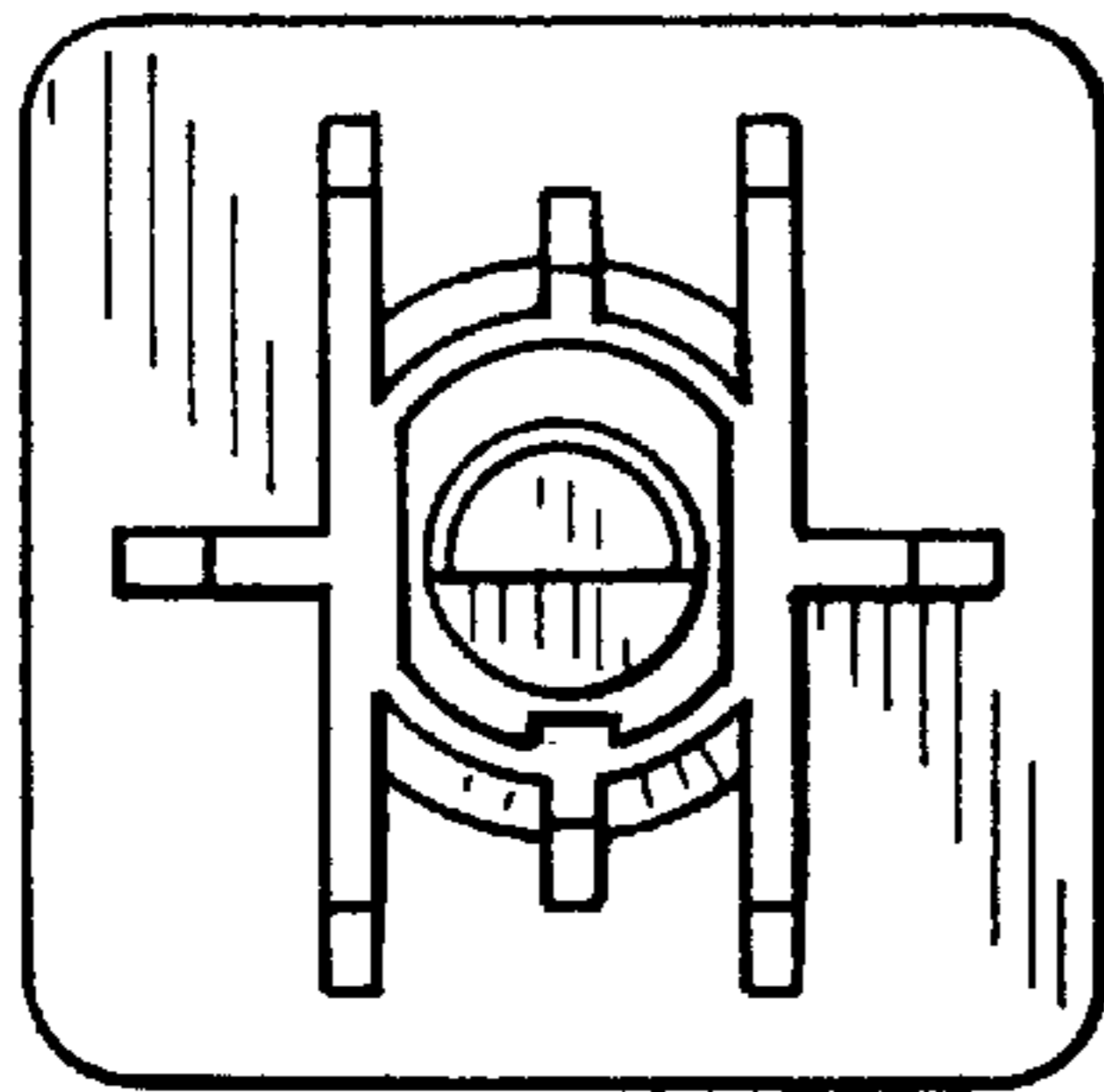


FIG. 2

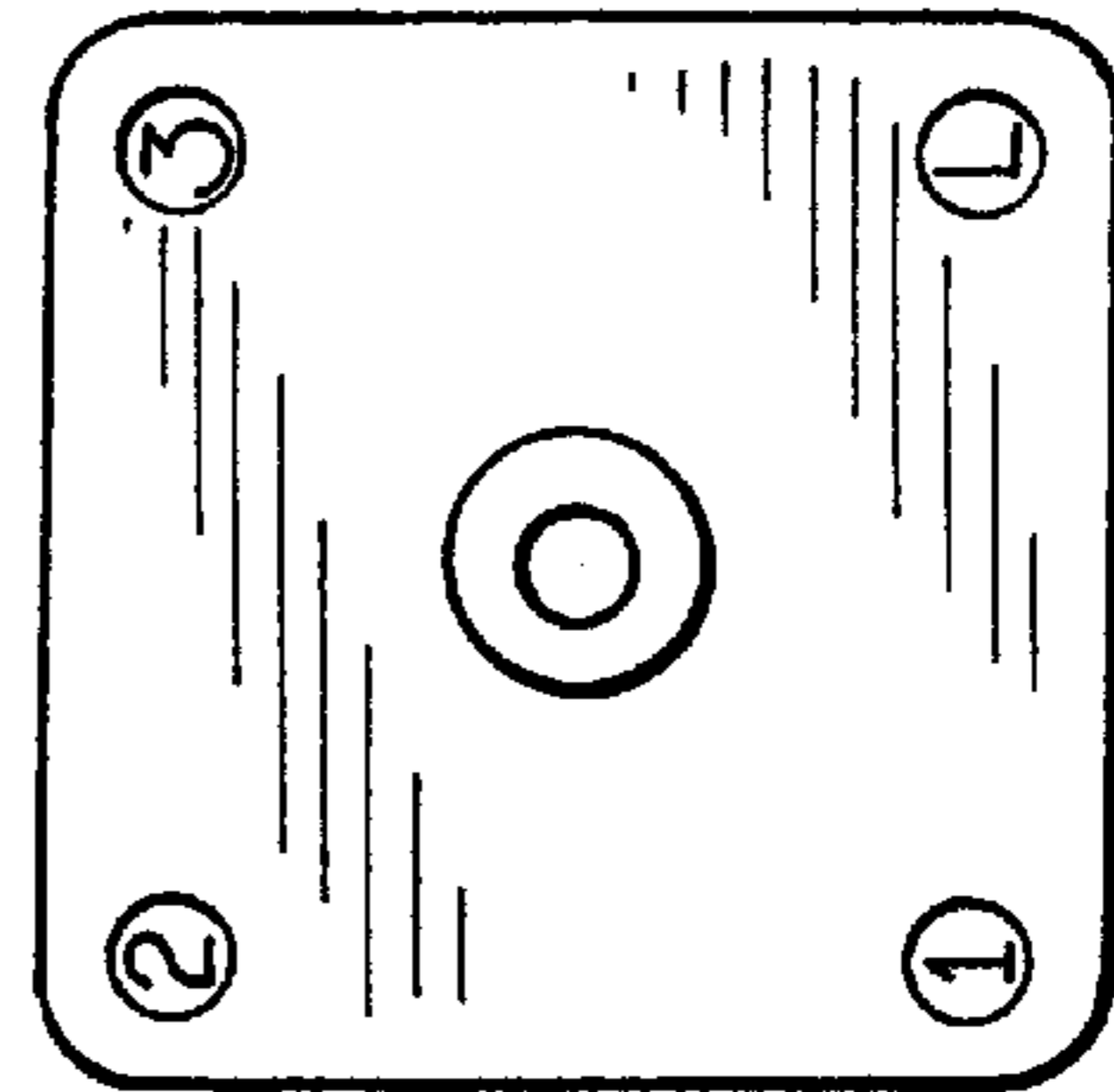


FIG. 3

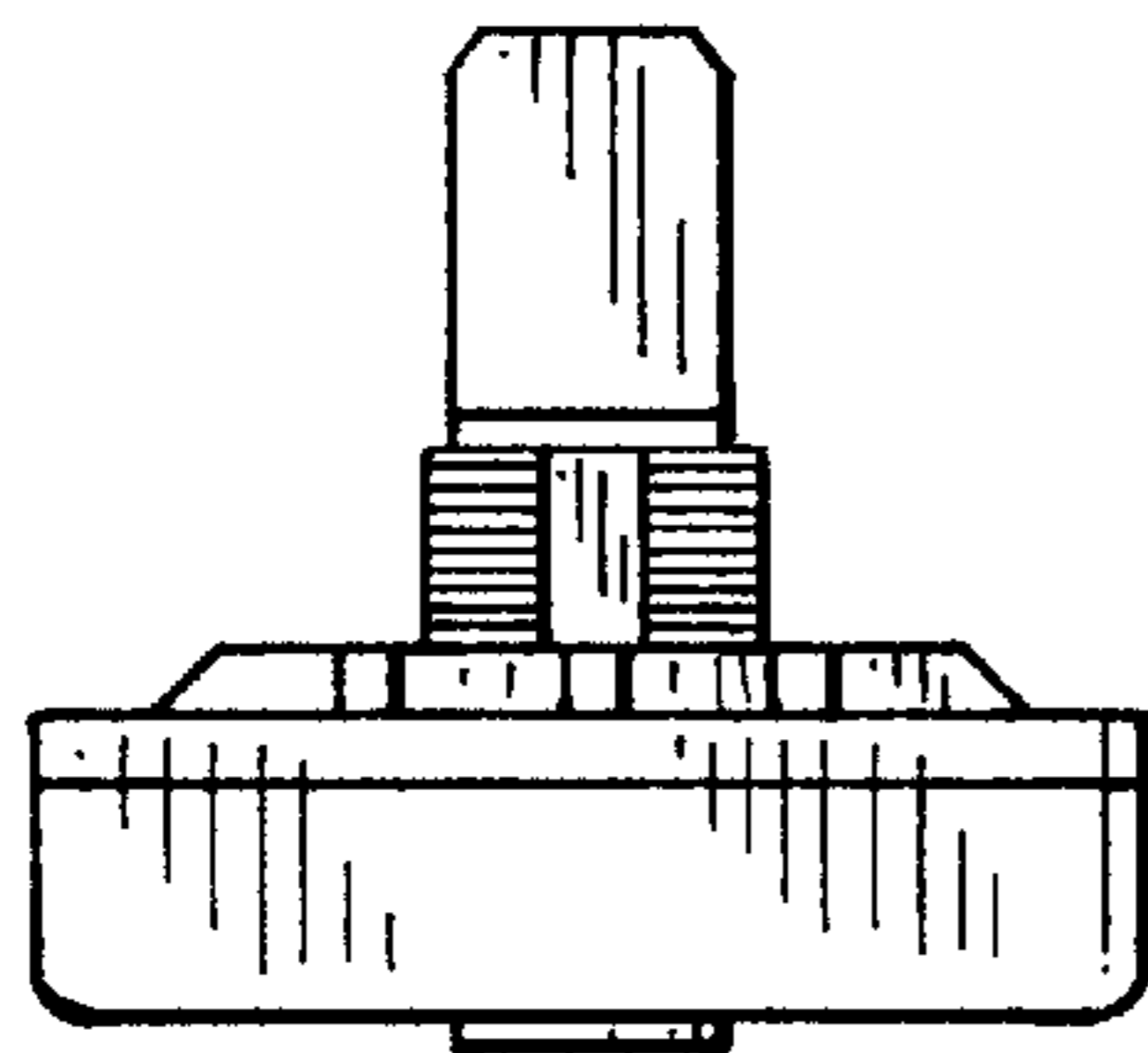


FIG. 4

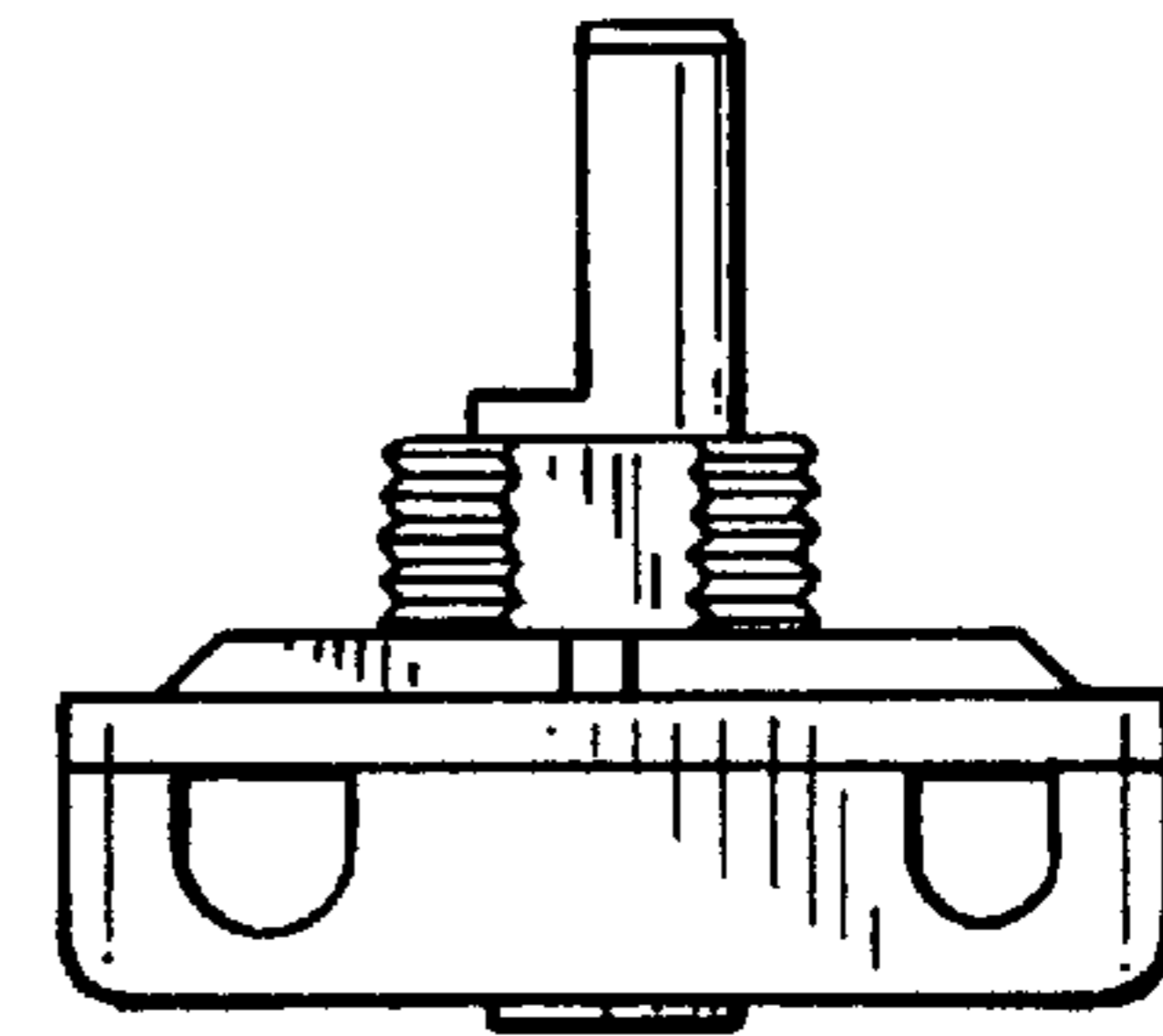


FIG. 5

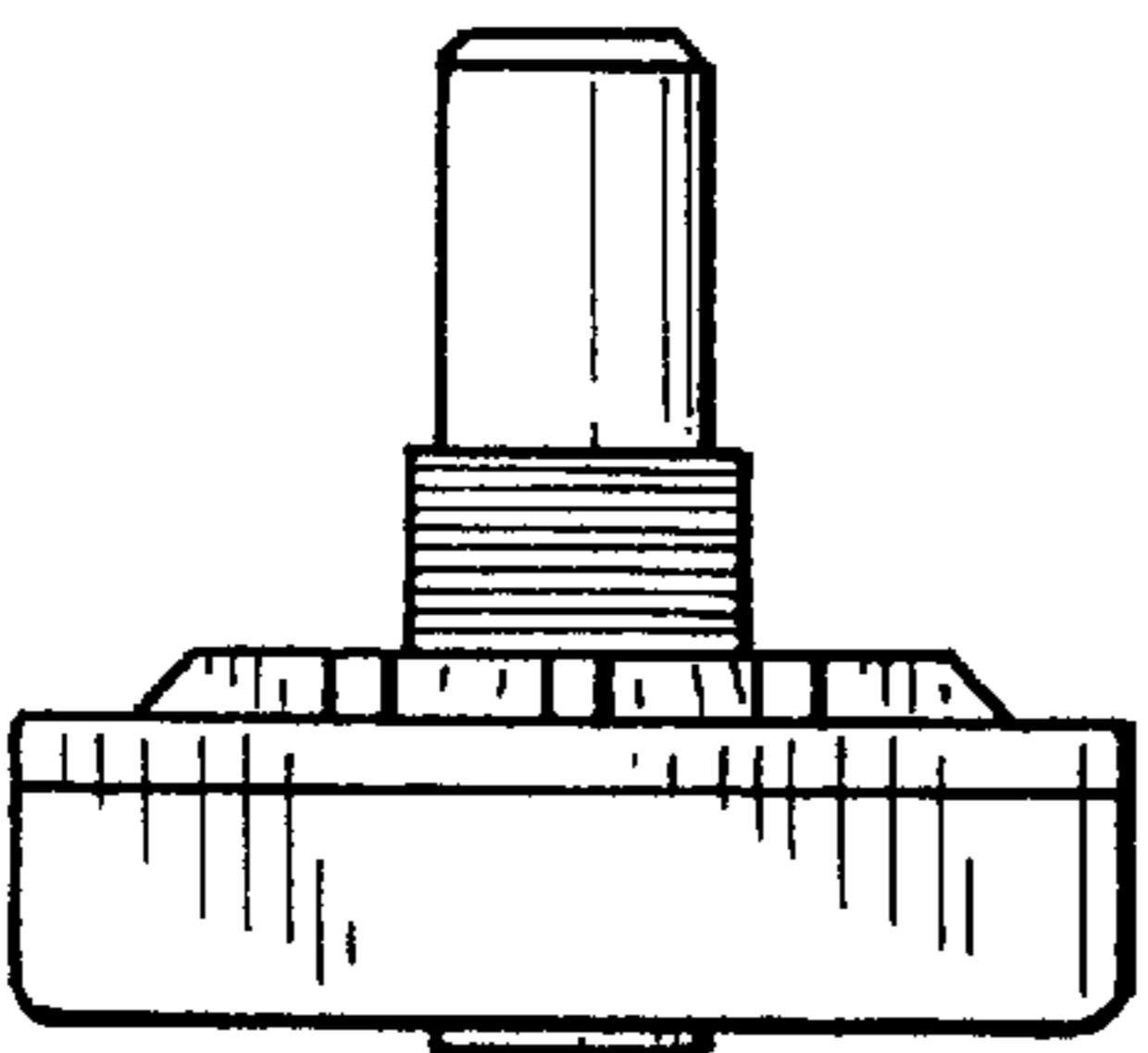


FIG. 6

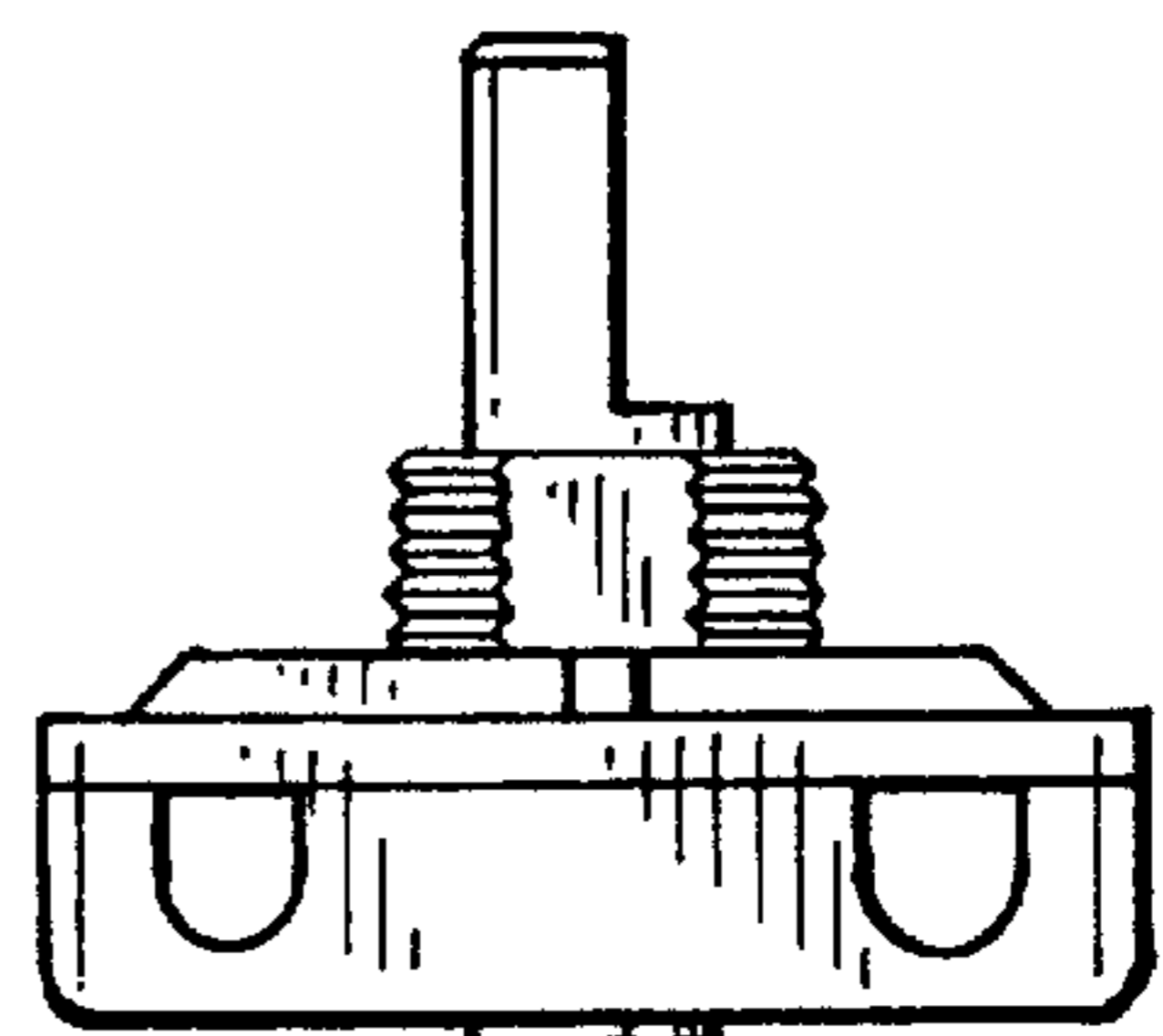


FIG. 7