



US00D418817S

United States Patent [19]
Wu

[11] **Patent Number: Des. 418,817**
[45] **Date of Patent: ** Jan. 11, 2000**

[54] **CONNECTOR ASSEMBLY**

[75] Inventor: **Kun-Tsan Wu, Tu-Chen, Taiwan**

[73] Assignee: **Hon Hai Precision Ind. Co., Ltd.,
Taipei Hsien, Taiwan**

[**] Term: **14 Years**

[21] Appl. No.: **29/097,236**

[22] Filed: **Dec. 2, 1998**

[30] **Foreign Application Priority Data**

Jun. 2, 1998 [TW] Taiwan 87304041

[51] **LOC (7) Cl.** **13-03**

[52] **U.S. Cl.** **D13/147**

[58] **Field of Search** D13/146, 147;
439/607, 608, 609, 110, 540.1

[56] **References Cited**

U.S. PATENT DOCUMENTS

D. 345,343 3/1994 Nakamura D13/147

5,676,569 10/1997 Davis 439/731
5,685,739 11/1997 Davis et al. 439/607
5,725,386 3/1998 Davis et al. 439/79
5,885,100 3/1999 Talend et al. 439/490

Primary Examiner—Joel Sincavage

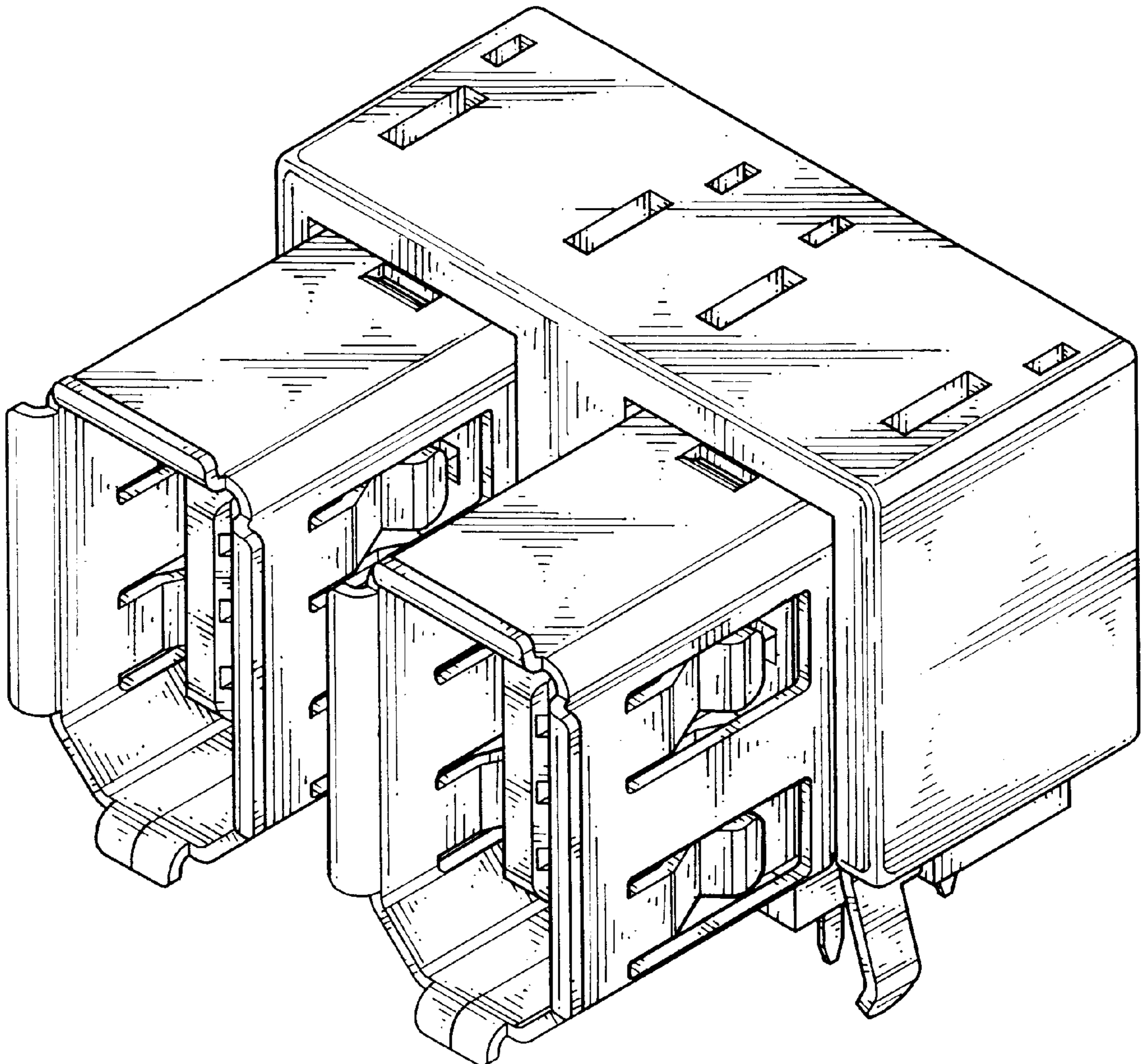
[57] **CLAIM**

The ornamental design for a connector assembly, as shown.

DESCRIPTION

FIG. 1 is a front-right-top perspective view of a connector assembly showing my new design;
FIG. 2 is a front elevational view thereof;
FIG. 3 is a rear elevational view thereof;
FIG. 4 is a left side elevational view thereof;
FIG. 5 is a right side elevational view thereof;
FIG. 6 is a top plan view thereof; and,
FIG. 7 is a bottom plan view thereof.

1 Claim, 7 Drawing Sheets



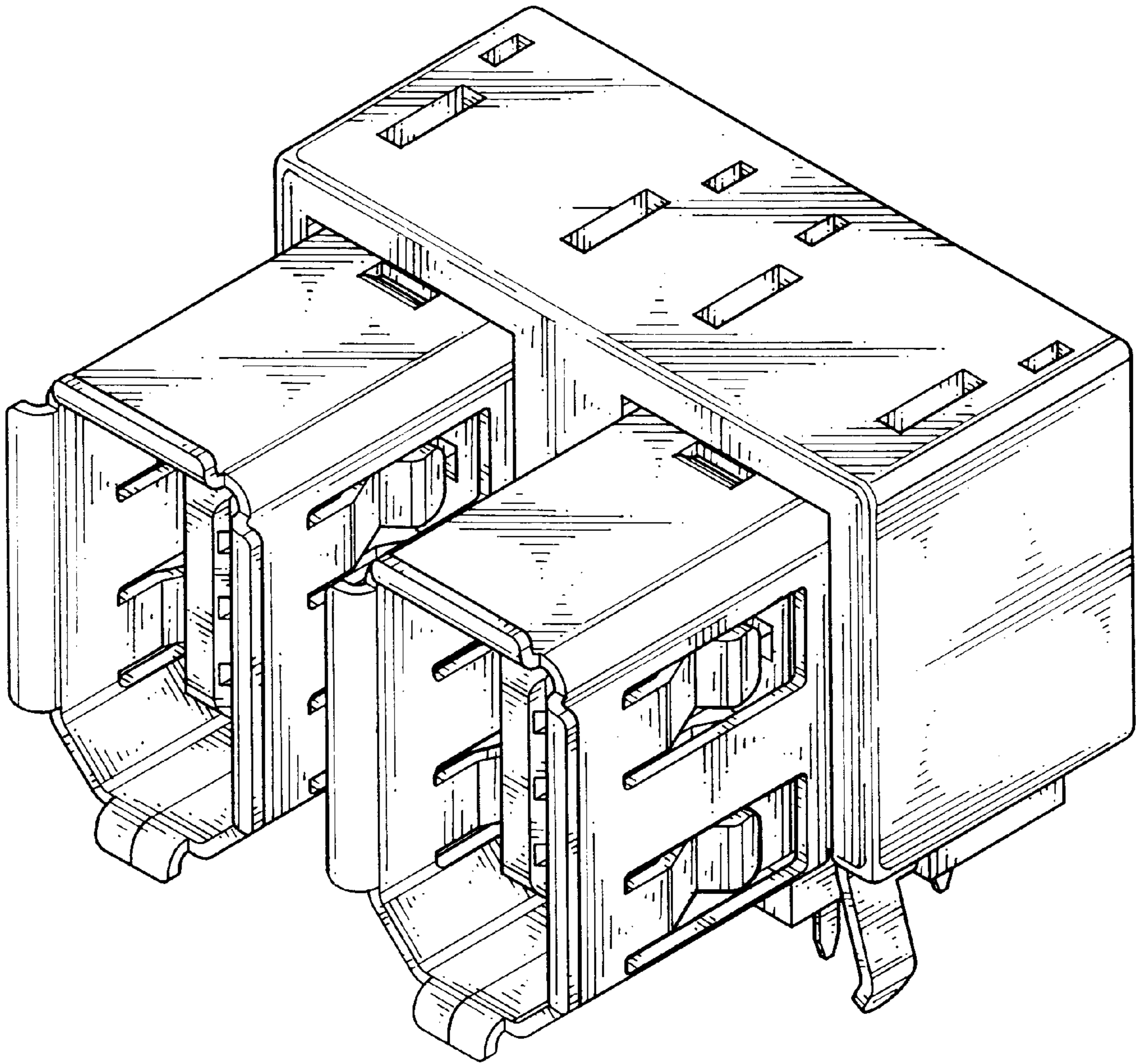


FIG. 1

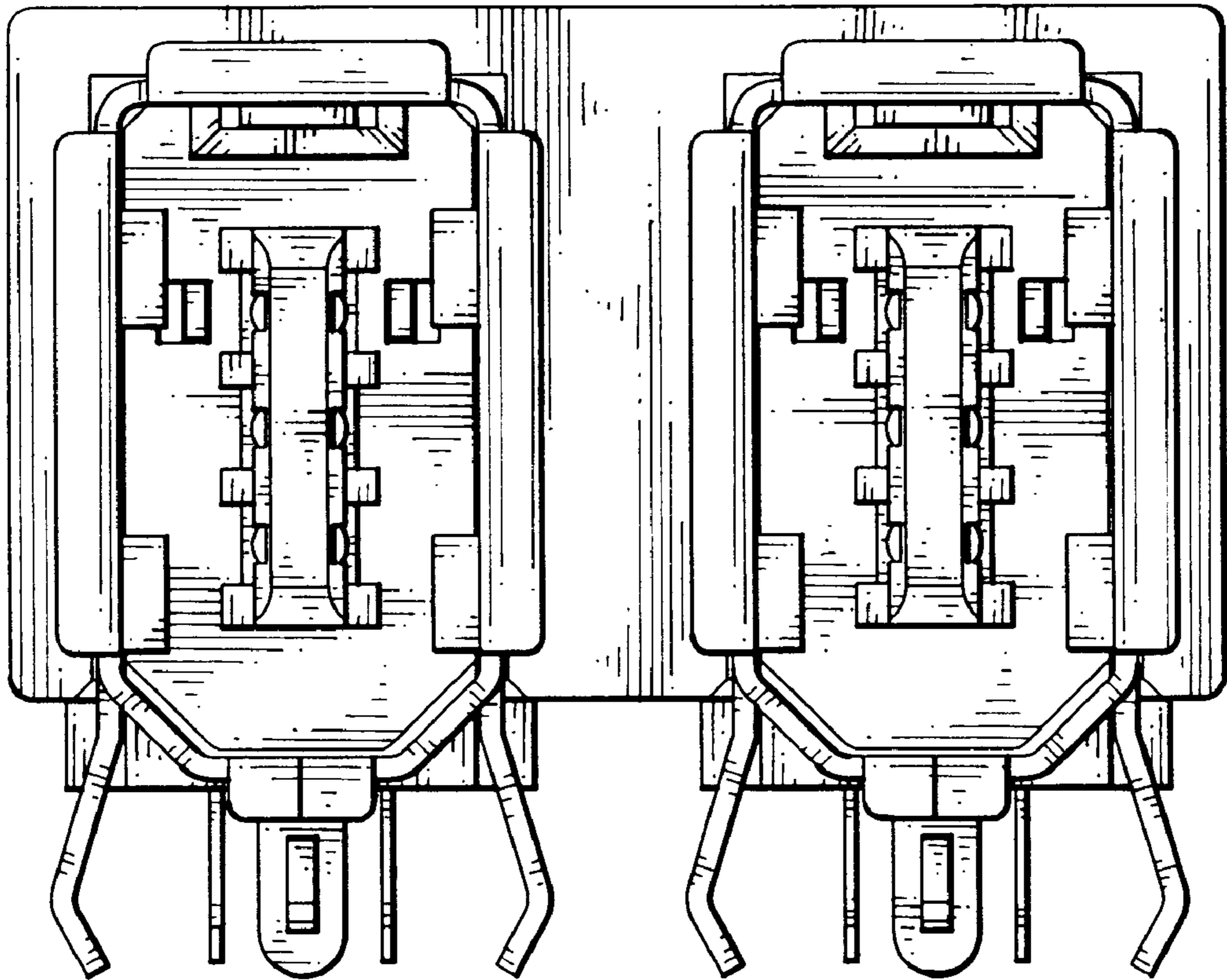


FIG. 2

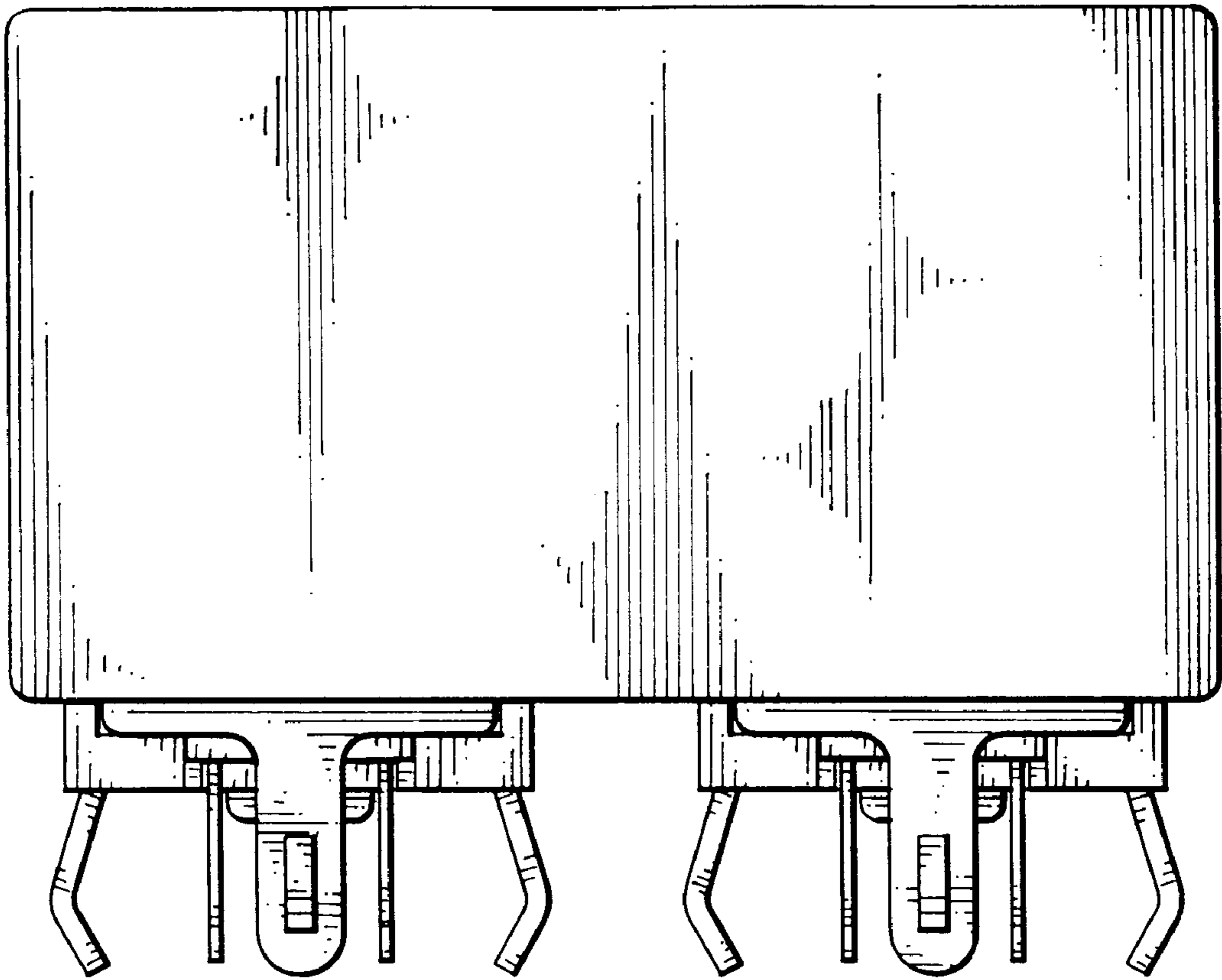


FIG. 3

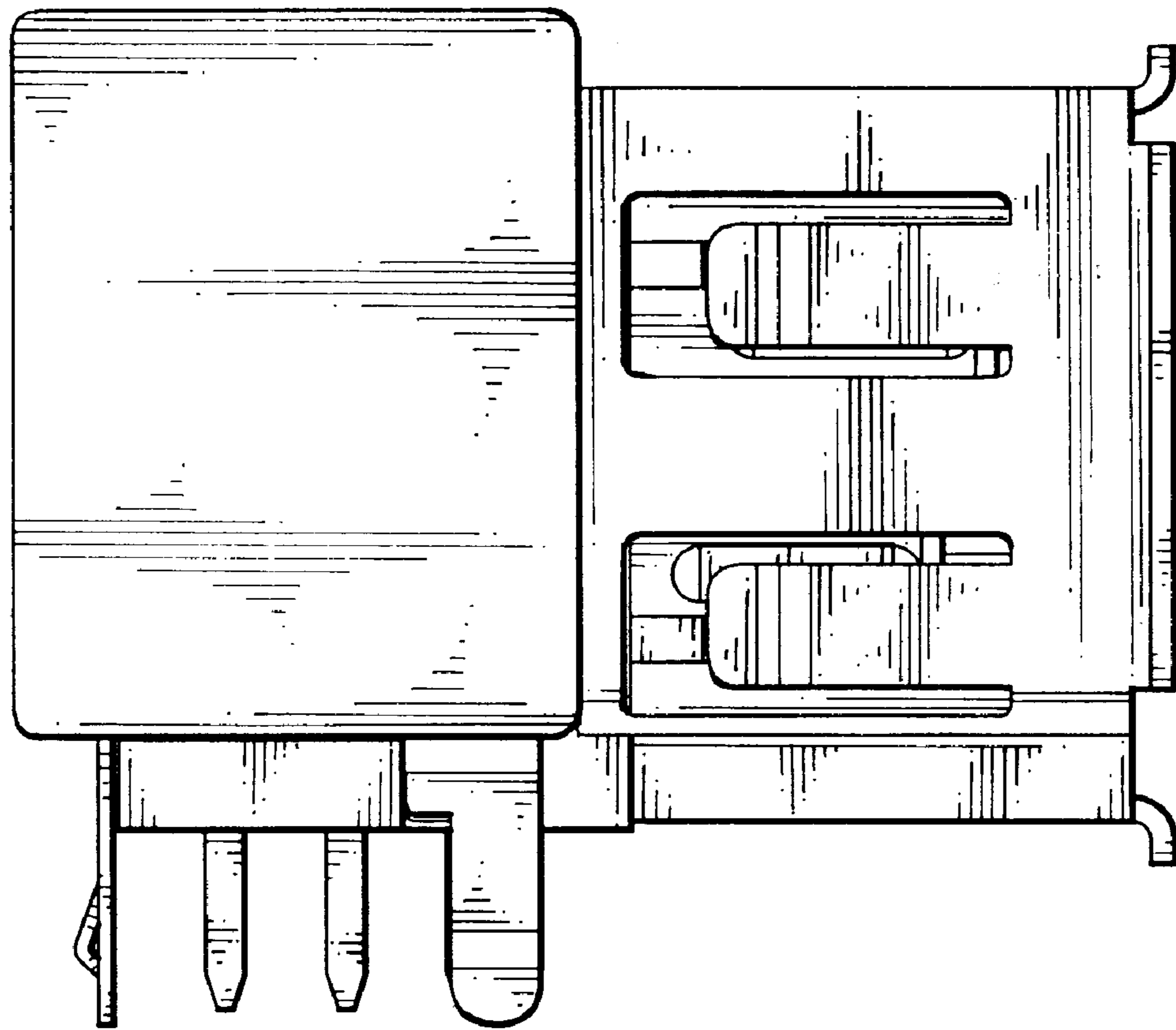


FIG. 4

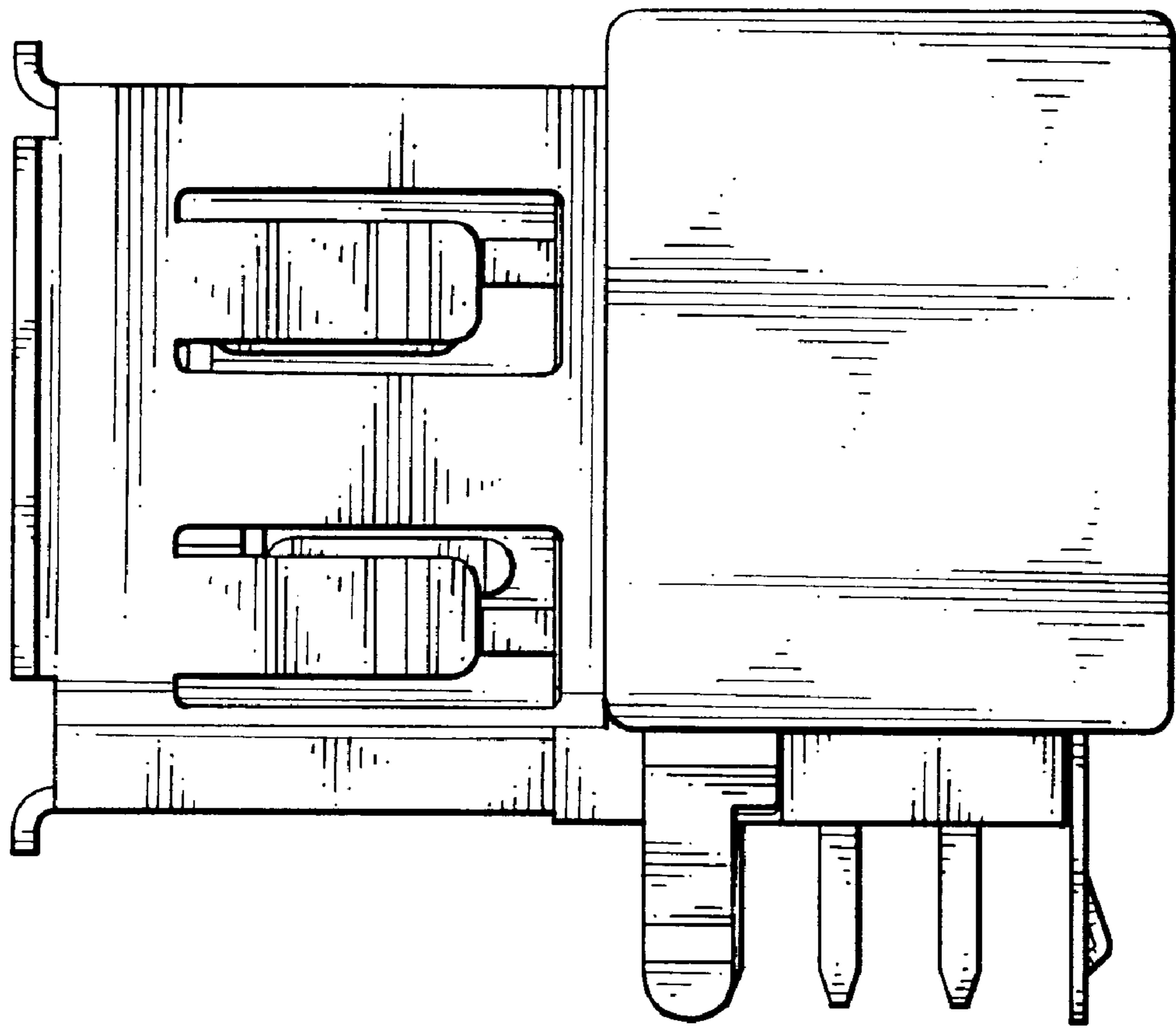


FIG. 5

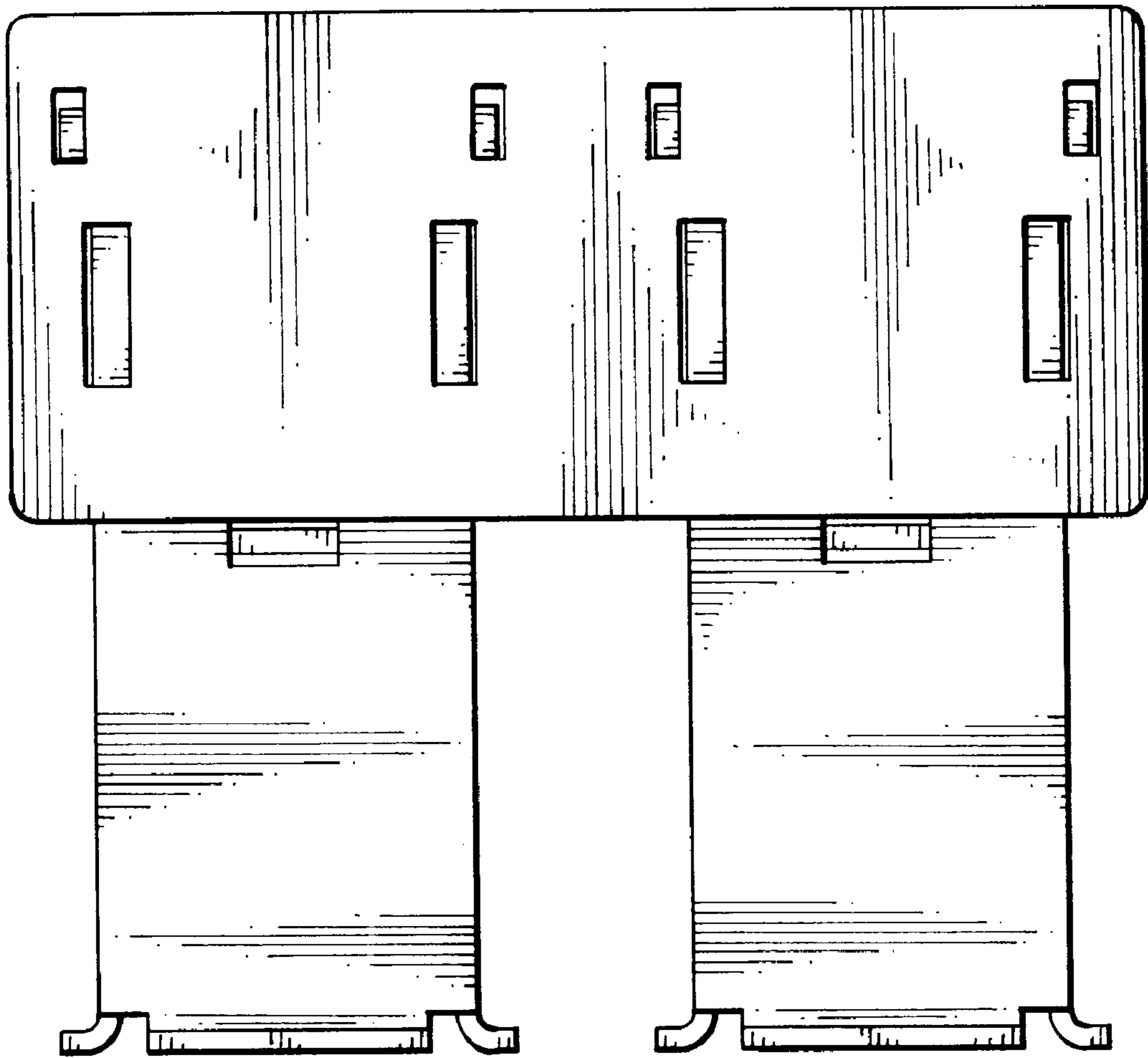


FIG. 6

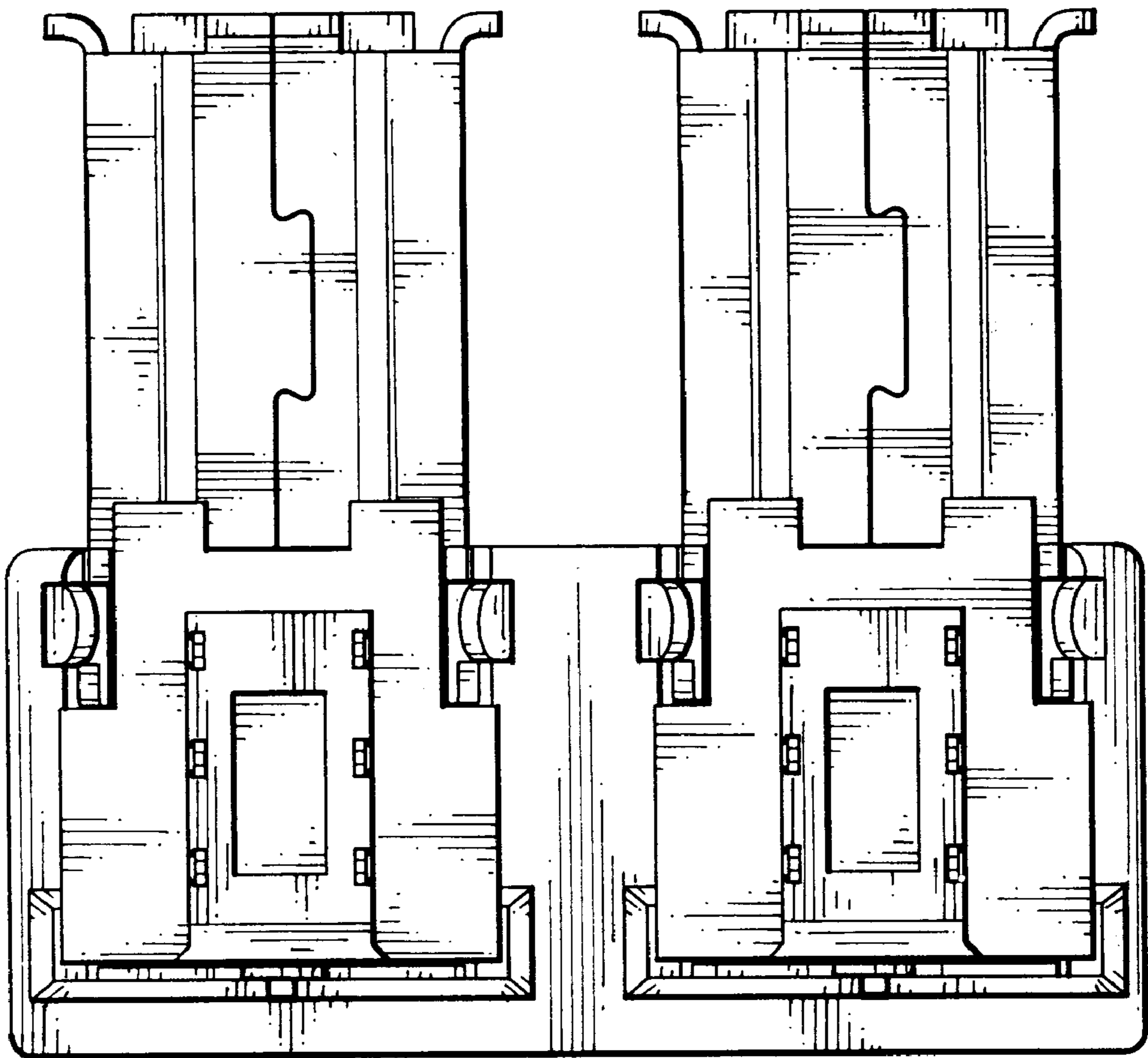


FIG. 7