



US00D418810S

United States Patent [19]

[11] **Patent Number: Des. 418,810**

Hogan et al.

[45] **Date of Patent: ** Jan. 11, 2000**

[54] **FRONT PANEL FOR A RACK MOUNTED RECTIFIER**

Primary Examiner—Joel Sincavage
Attorney, Agent, or Firm—Gregory M. Howison; Mark W. Handley

[75] Inventors: **Gerald Michael Hogan, Mequile; Steven Jeffrey Marzec; Lyle James Ratner**, both of Dallas, all of Tex.

[57] **CLAIM**

The ornamental design for front panel for a rack mounted rectifier, as shown and described.

[73] Assignee: **ADS, The Power Resource, Inc.**, Dallas, Tex.

DESCRIPTION

[**] Term: **14 Years**

FIG. 1 is a front, perspective view of the front panel for a rack mounted rectifier;

[21] Appl. No.: **29/093,922**

FIG. 2 is a top view of the front panel for a rack mounted rectifier;

[22] Filed: **Sep. 22, 1998**

FIG. 3 is a bottom view of the front panel for a rack mounted rectifier;

[51] **LOC (7) Cl. 13-02**

[52] **U.S. Cl. D13/118**

FIG. 4 is a left side view of the front panel for a rack mounted rectifier;

[58] **Field of Search D13/110, 118, D13/123; 307/66, 150; 363/144, 145, 141; 361/730, 678, 695**

FIG. 5 is a rear view of the front panel for a rack mounted rectifier; and,

[56] **References Cited**

U.S. PATENT DOCUMENTS

D. 334,561	4/1993	Crater et al.	D13/110
D. 337,304	7/1993	Lubbe et al.	D13/110
5,640,061	6/1997	Bornhorst et al.	307/150

FIG. 6 is a right side view of the front panel for a rack mounted rectifier.

The broken line showing in FIG. 1 is included for the purpose of illustrating environmental structure only and forms no part of the claimed design.

1 Claim, 2 Drawing Sheets

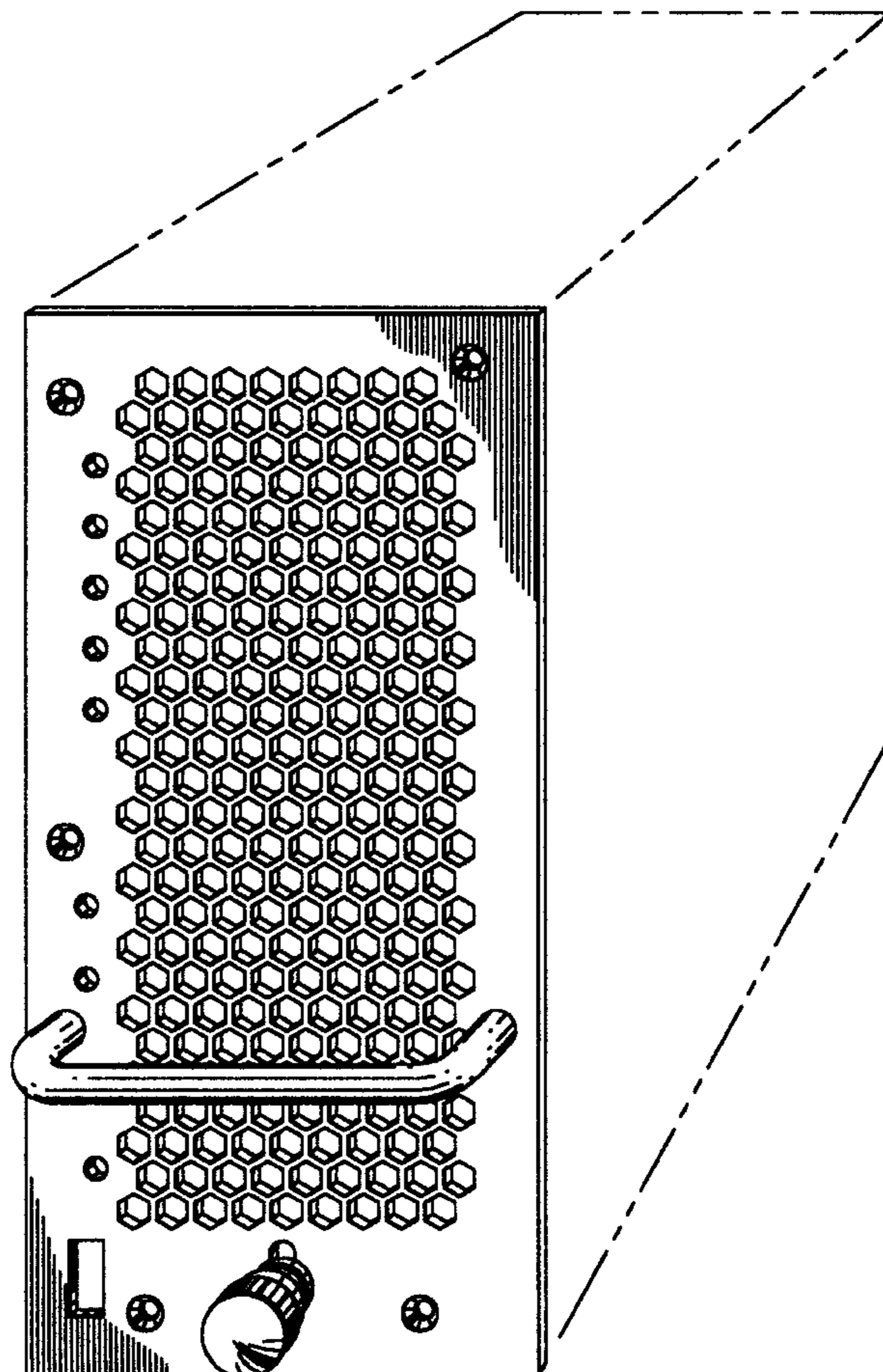


FIG. 2

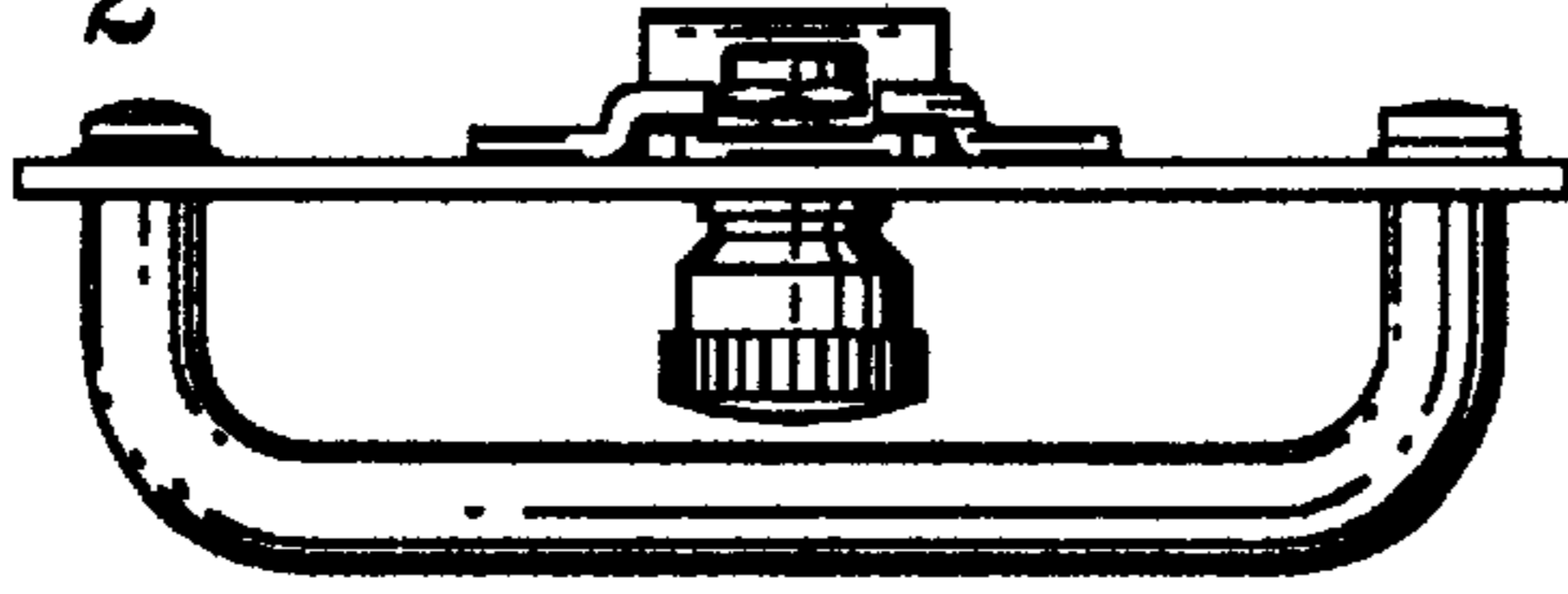


FIG. 1

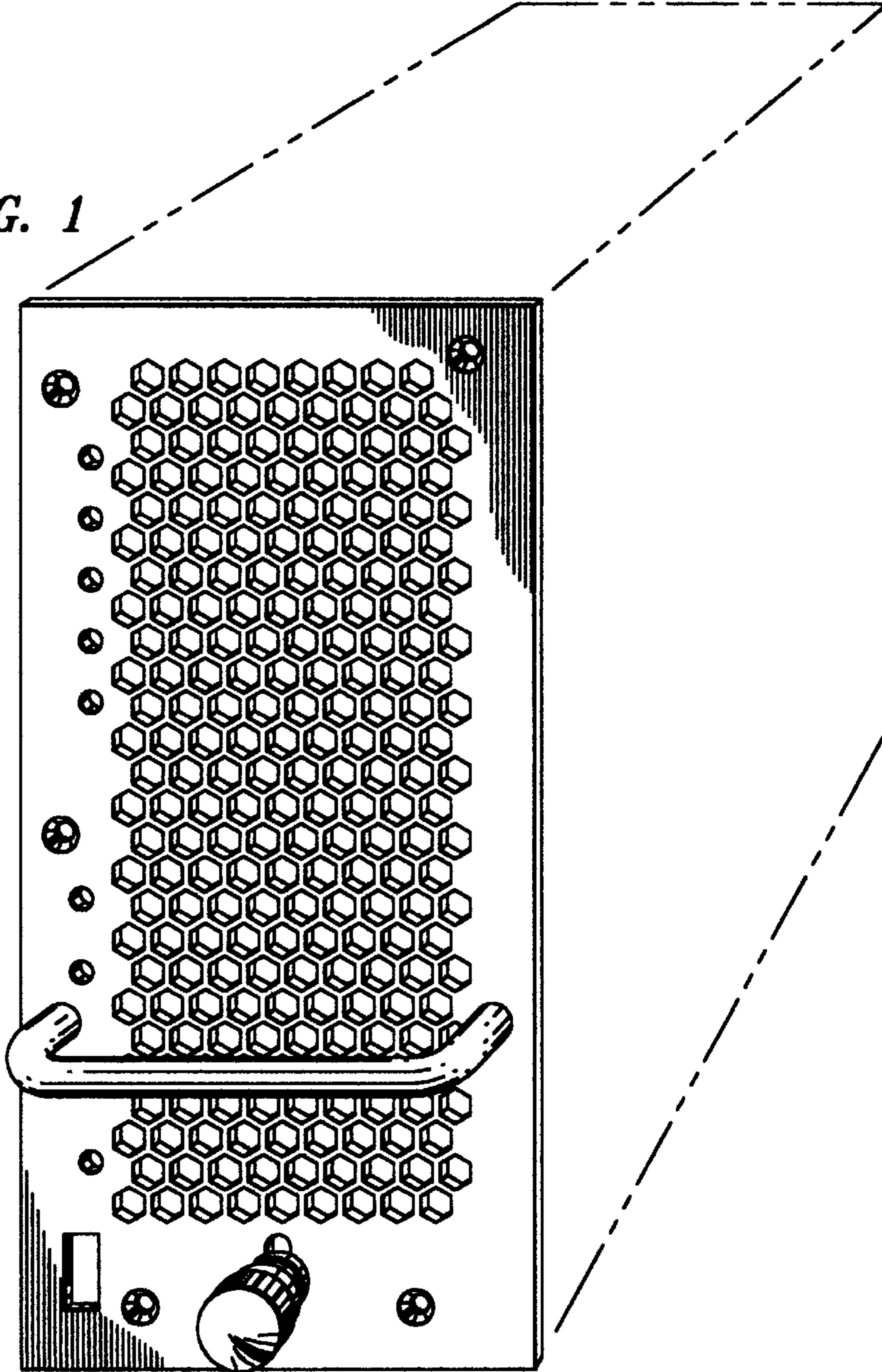


FIG. 4

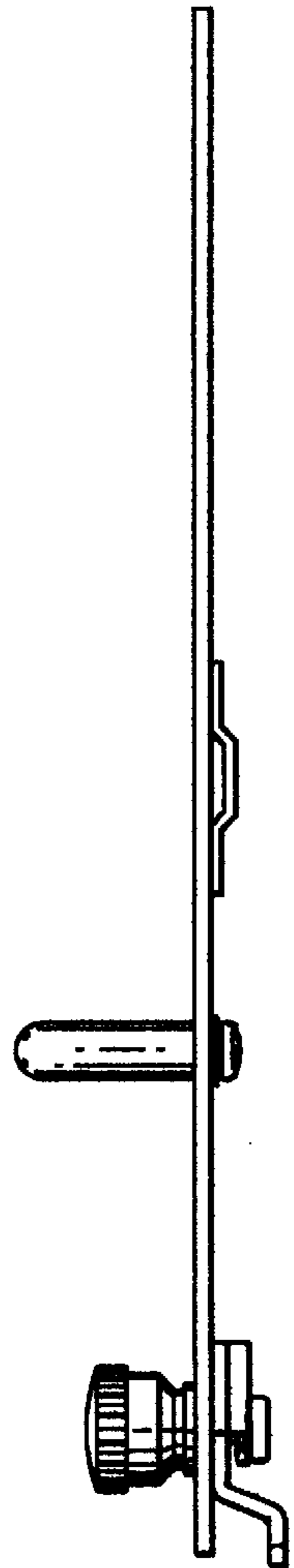


FIG. 3

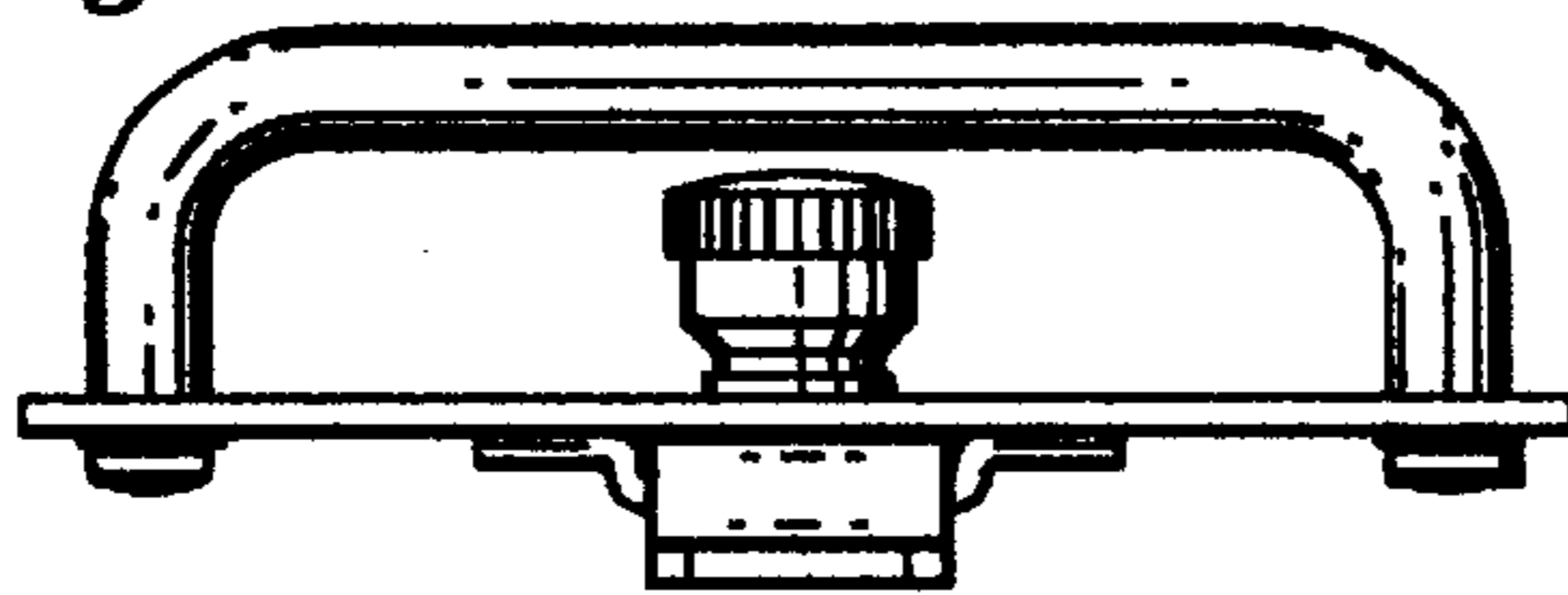


FIG. 5

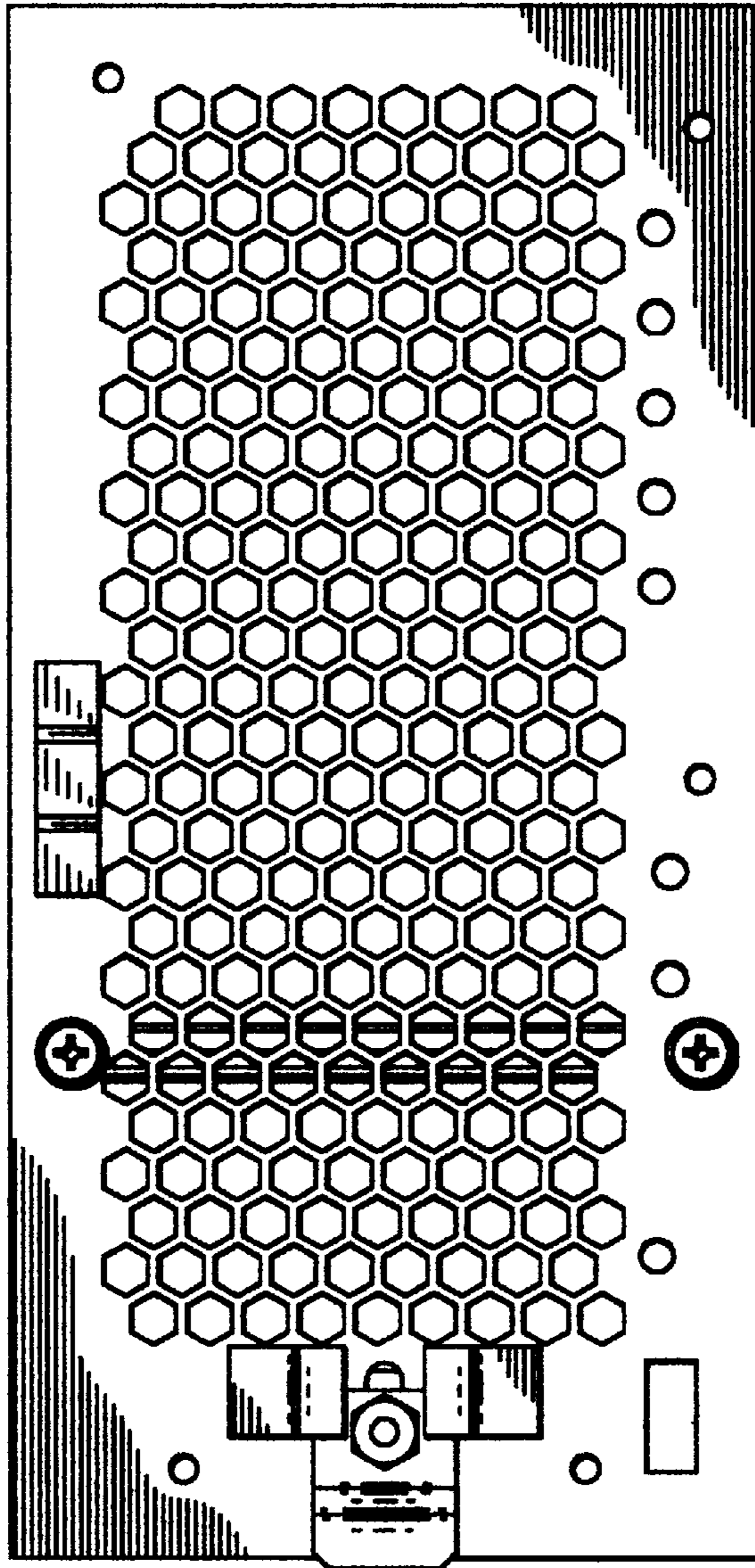


FIG. 6

