



US00D418809S

United States Patent [19] Frank

[11] Patent Number: **Des. 418,809**

[45] Date of Patent: **** Jan. 11, 2000**

[54] **GENERATOR SYSTEM**

[75] Inventor: **Kenneth M. Frank**, Karney, Nebr.

[73] Assignee: **Coleman Powermate, Inc.**, Wichita, Kans.

[**] Term: **14 Years**

[21] Appl. No.: **29/092,130**

[22] Filed: **Aug. 13, 1998**

[51] **LOC (7) Cl.** **13-02**

[52] **U.S. Cl.** **D13/112; D13/116**

[58] **Field of Search** D13/112, 114,
D13/116; 290/1 A, 1 B; 307/150; 123/2,
3

[56] **References Cited**

U.S. PATENT DOCUMENTS

D. 276,997	1/1985	Mikado	D13/116
D. 277,285	1/1985	Lopez	D13/112 X
D. 278,425	4/1985	Toshihiko	D13/116
3,259,752	7/1966	Honda	.	
4,284,913	8/1981	Barnhardt	.	
4,540,888	9/1985	Drewry et al.	.	
4,677,940	7/1987	Bracht et al.	.	
4,721,070	1/1988	Tanaka et al.	.	
4,779,905	10/1988	Ito et al.	.	
4,856,470	8/1989	Ishii et al.	.	
4,859,886	8/1989	Tanaka et al.	.	
4,885,492	12/1989	Van Sickle	.	
4,907,546	3/1990	Ishii et al.	.	
4,926,108	5/1990	Schooley et al.	.	
5,011,442	4/1991	Polcz et al.	.	
5,039,930	8/1991	Collier et al.	320/2
5,095,701	3/1992	Nakano	.	
5,121,715	6/1992	Nogami et al.	.	
5,469,820	11/1995	Data et al.	.	
5,515,816	5/1996	Ball et al.	.	
5,546,901	8/1996	Acker et al.	.	
5,574,622	11/1996	Brown	307/150 X
5,626,105	5/1997	Locke et al.	.	

OTHER PUBLICATIONS

Ultra 2500™ Electric Generator, Coleman Powermate®, 1997, (1 page).

Ultra 2500™ Electric Generator, PM0422505 with Portability Cart, Coleman Powermate®, 1996, (2 pages).

Ultra 2500™ Electric Generator, PM0422500 with Carry Handle, PM0422505 with Cart, Coleman Powermate®, 1996, (2 pages).

Maxa® Series Electric Generators, Coleman Powermate®, 1995, (2 pages).

Sport And Pulse Series Portable Generators, Coleman Powermate®, 1993, (2 pages).

Generators, Coleman Powermate®, 1997, (18 pages).

Maxa® ER Series Electric Generators, Coleman Powermate®, 1995, (2 pages).

Powerbase And Powerbase ER Series Electric Generators, Coleman Powermate®, (4 pages).

Vantage™ Series Electric Generators, Coleman Powermate®, 1995, (2 pages).

Electric Generators, Pressure Washers, Compressors, Coleman Powermate®, (8 pages).

Primary Examiner—Joel Sincavage
Attorney, Agent, or Firm—Rockey, Milnamow & Katz, Ltd.

[57] **CLAIM**

The ornamental design for a generator system, as shown and described.

DESCRIPTION

FIG. 1 is a perspective view from the front of our new design. Visible components which are not part of the design have been illustrated in phantom;

FIG. 2 is a front elevational view of the design illustrated in FIG. 1;

FIG. 3 is a left side elevational view thereof;

FIG. 4 is a rear elevational view thereof;

FIG. 5 is a right side elevational view thereof;

FIG. 6 is a top view thereof; and,

FIG. 7 is another perspective view looking toward the rear of the design of FIG. 1 illustrating an alternate form of the planar top panel illustrated in FIG. 1. The appearance of the FIG. 7 embodiment as seen from the front and right side is the same as that of the embodiment of FIG. 1 except for the top surface.

The appearance of the FIG. 7 embodiment as seen from the front and right side is the same as that of the embodiment of FIG. 1 except for the top surface.

1 Claim, 7 Drawing Sheets

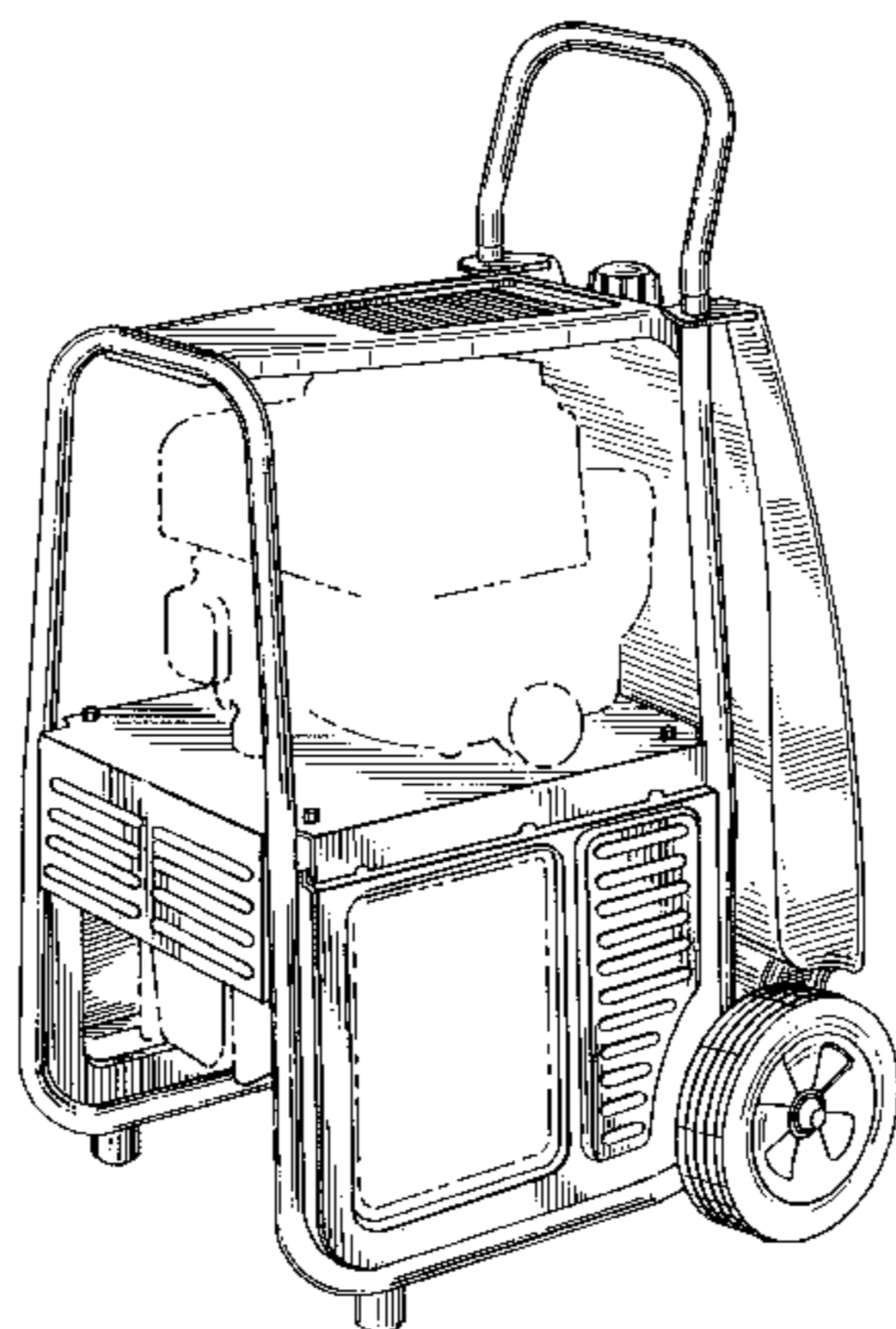


FIG. 1

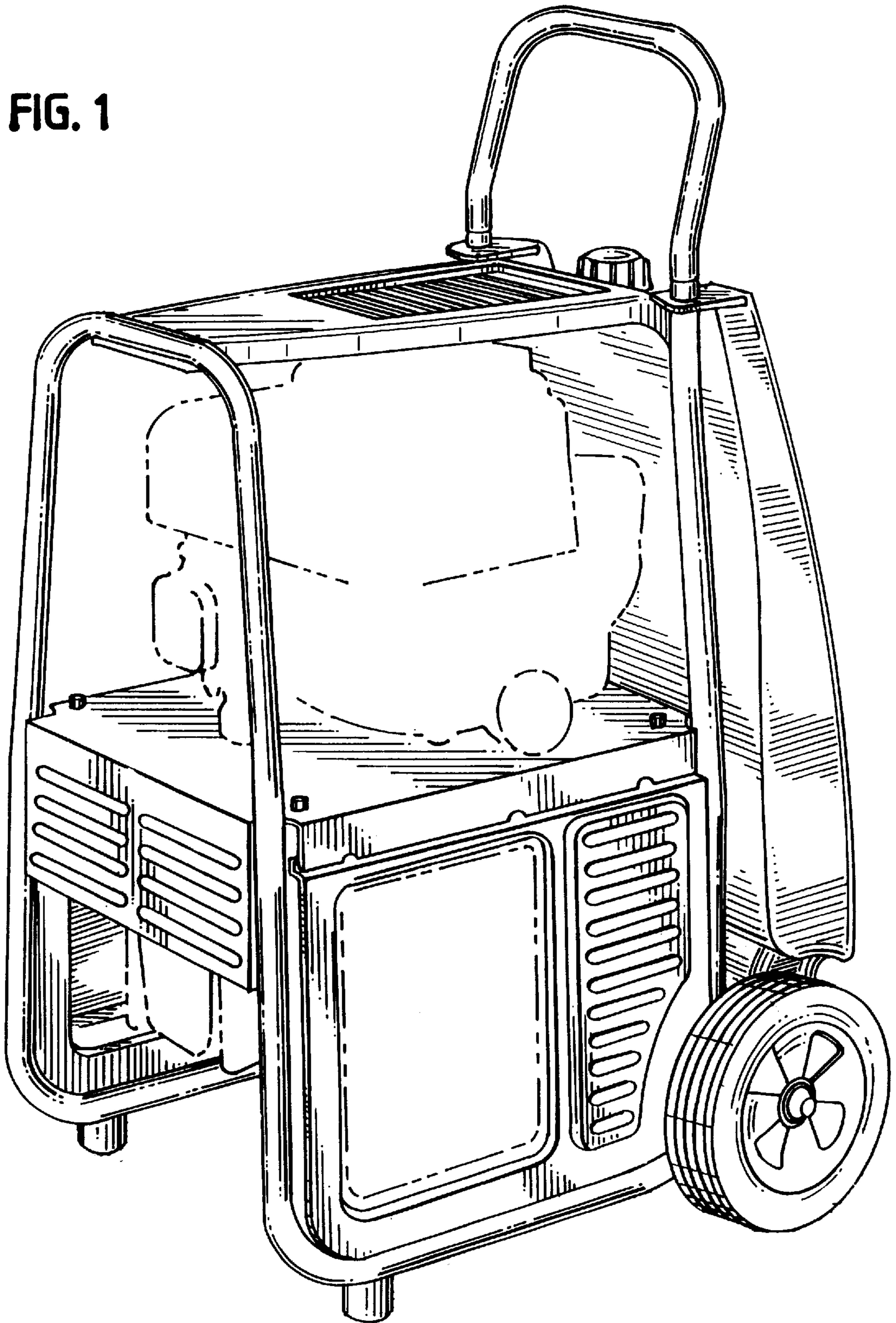


FIG. 2

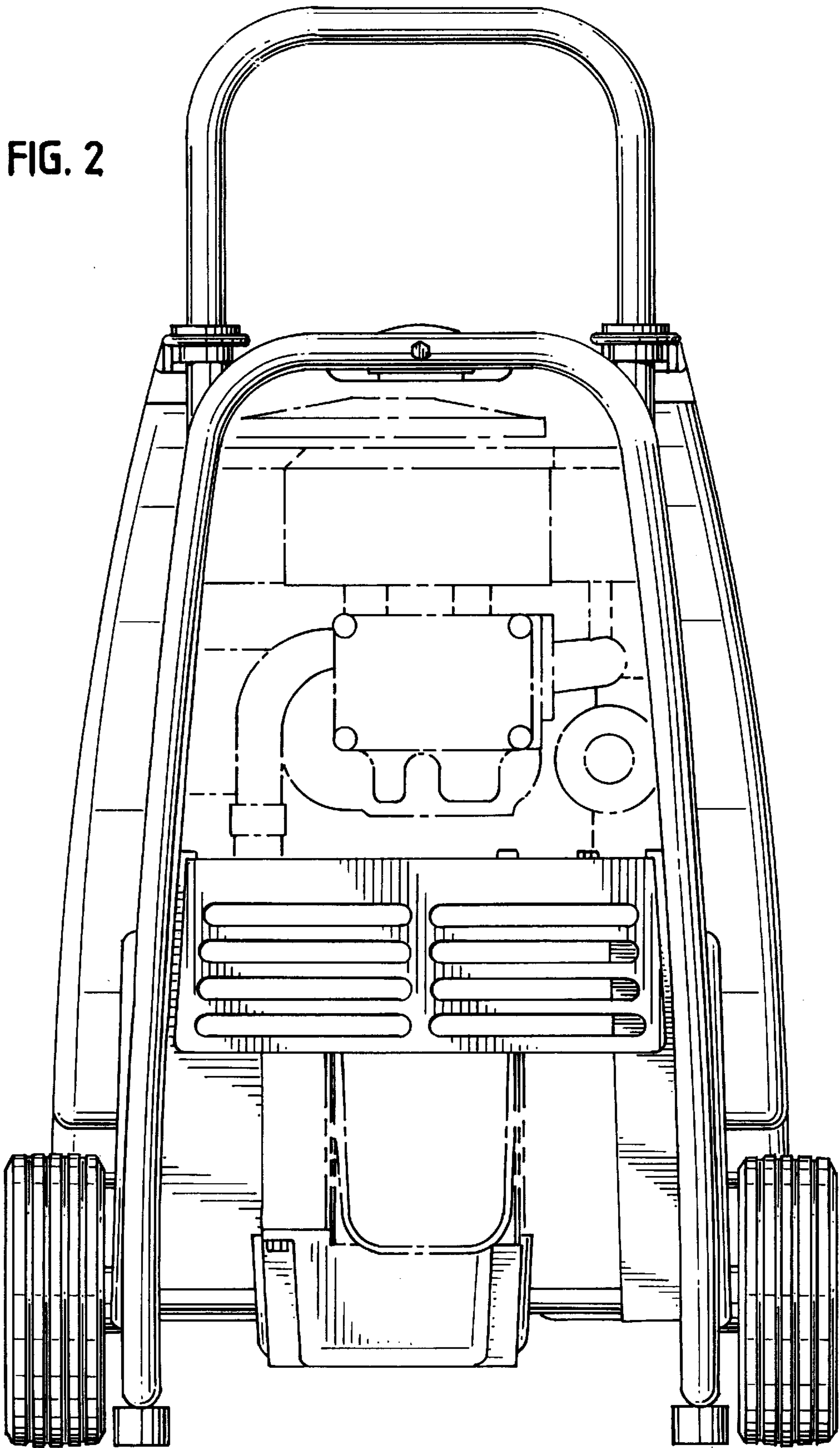


FIG. 3

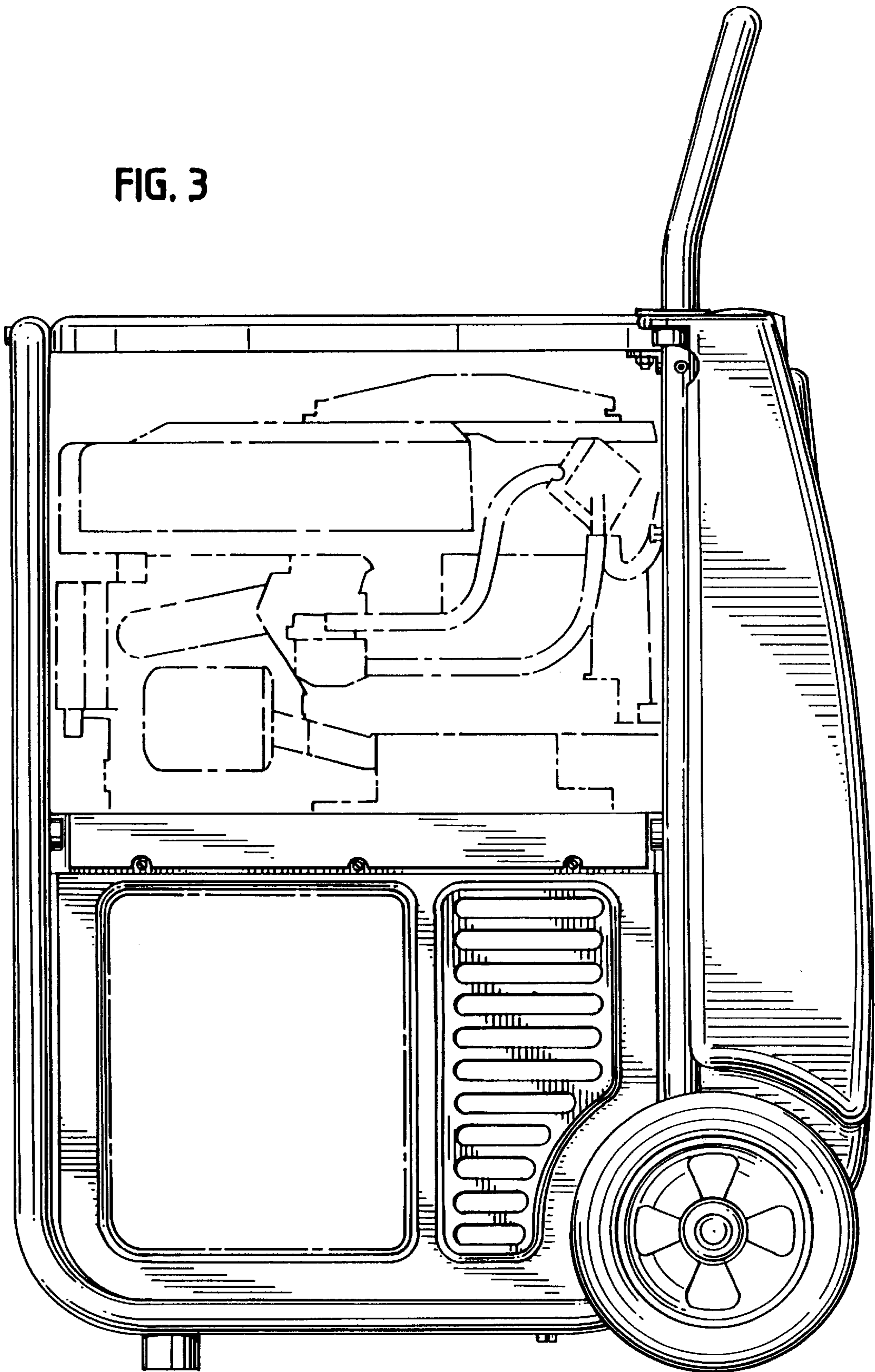


FIG. 4

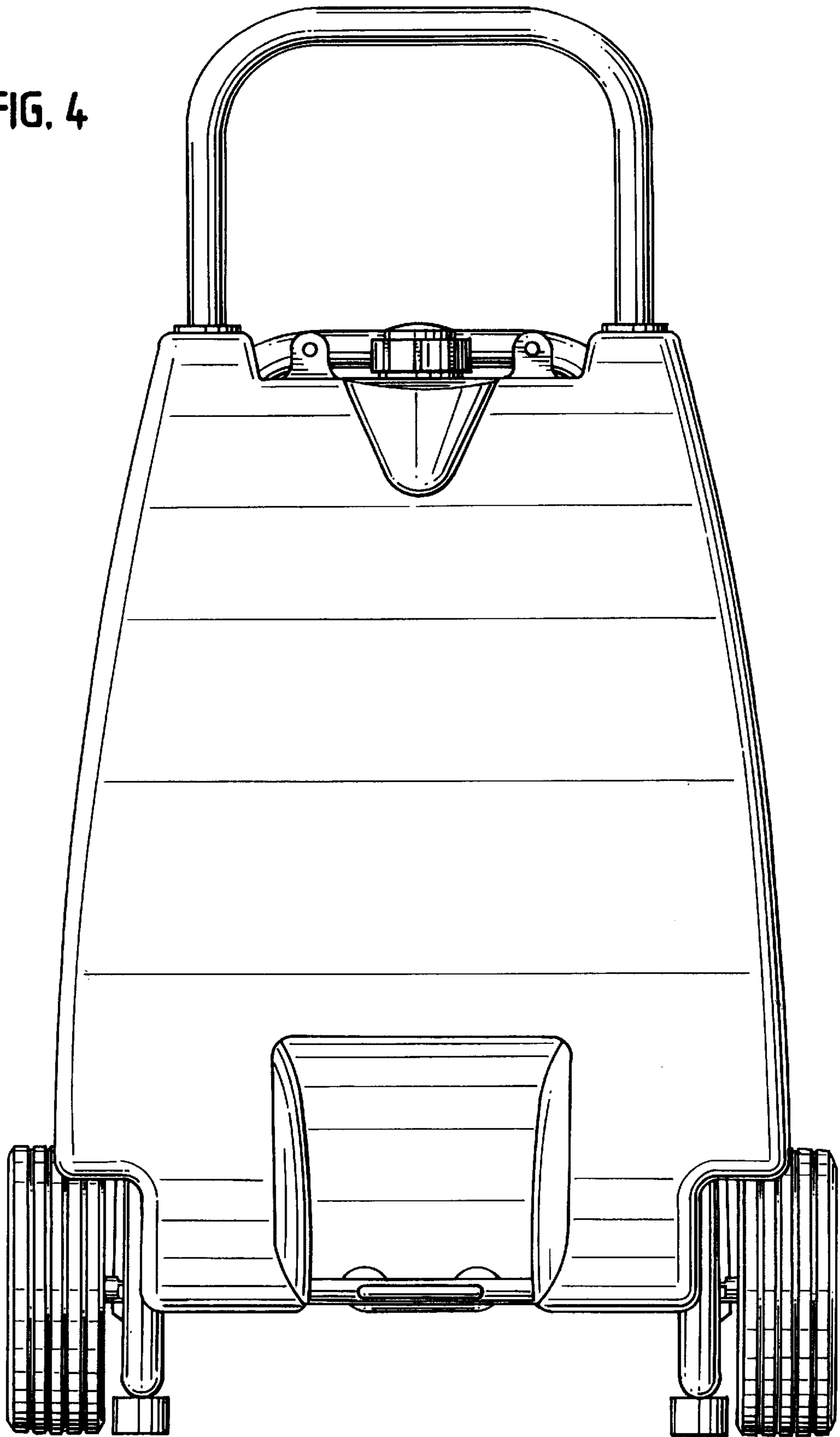


FIG. 5

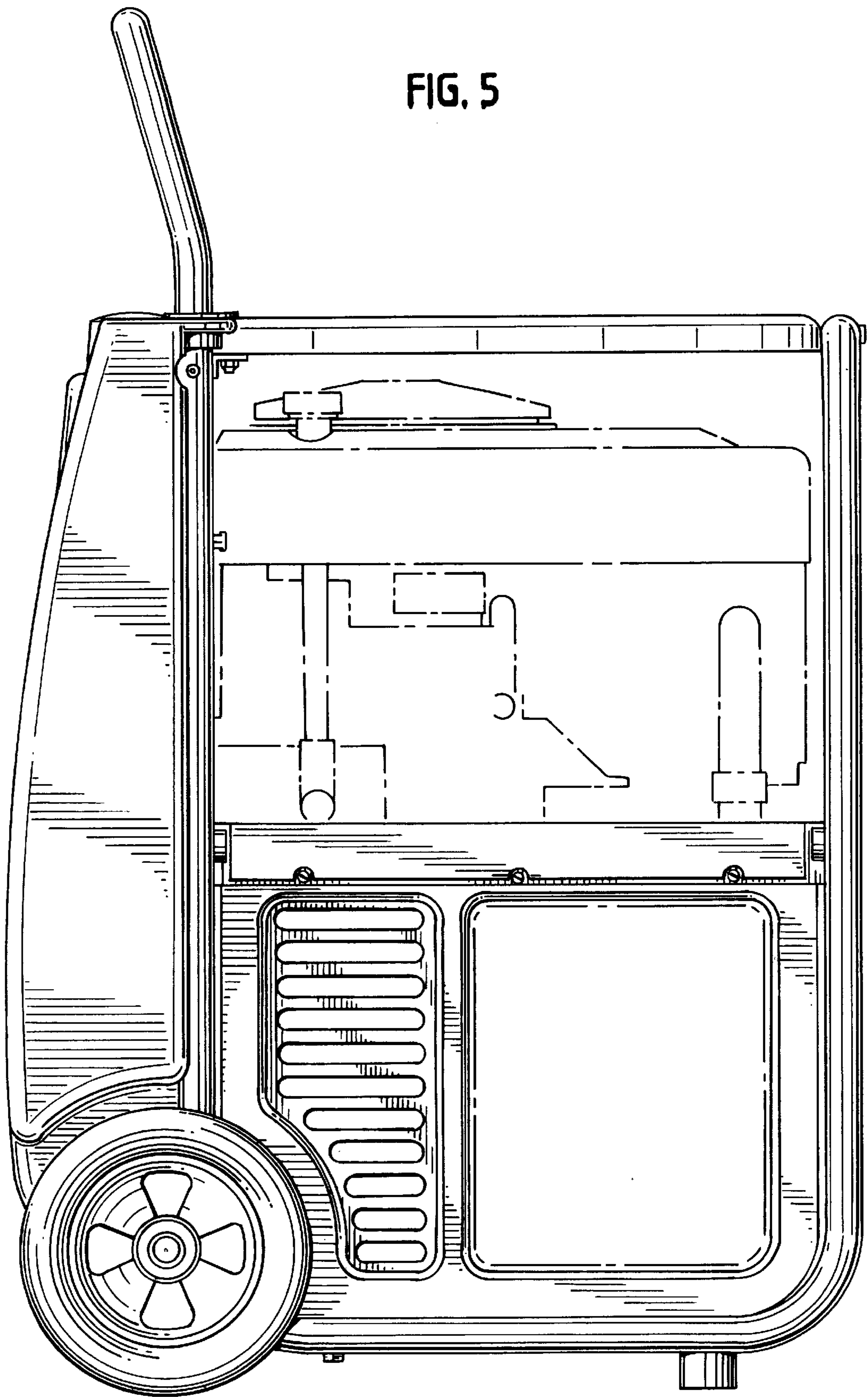


FIG. 6

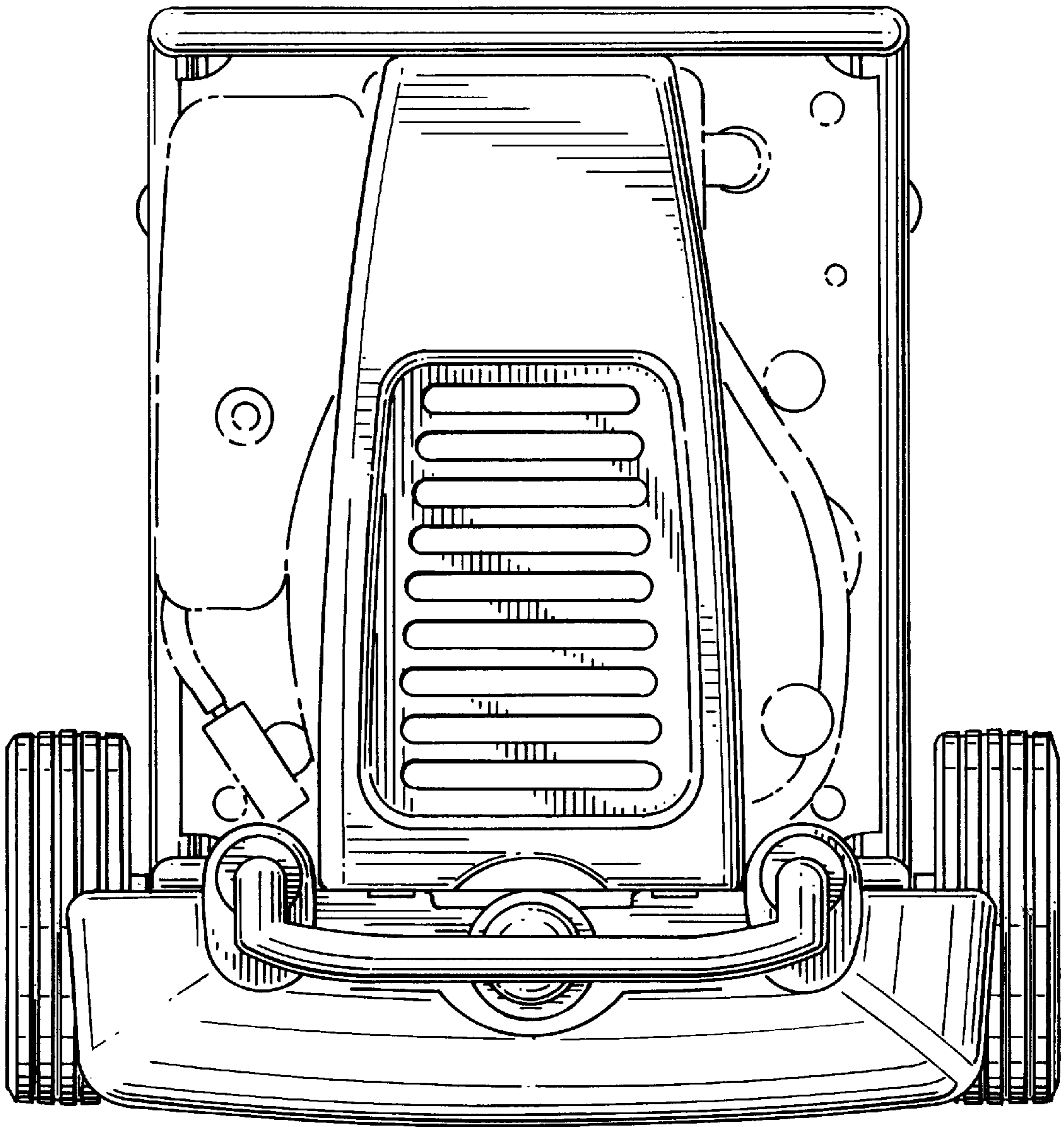


FIG. 7

