



US00D418808S

United States Patent [19]

Lee

[11] Patent Number: **Des. 418,808**

[45] Date of Patent: **** Jan. 11, 2000**

[54] **COMPUTER POWER SUPPLY**

5,808,867 9/1998 Wang 361/695

[76] Inventor: **Kenny Lee**, 10F, No. 18, Lane 609, Sec.5, Chung Hsin Road, San Chung City, Taipei Hsien, Taiwan

Primary Examiner—Joel Sincavage
Attorney, Agent, or Firm—Pro-Techtor International Services

[**] Term: **14 Years**

[57] CLAIM

[21] Appl. No.: **29/100,111**

The ornamental design for a computer power supply, as shown and described.

[22] Filed: **Feb. 4, 1999**

DESCRIPTION

[51] **LOC (7) Cl.** **13-02**

[52] **U.S. Cl.** **D13/110**

[58] **Field of Search** D13/110, 118, D13/123; 307/66, 150; 361/730, 735, 678, 695

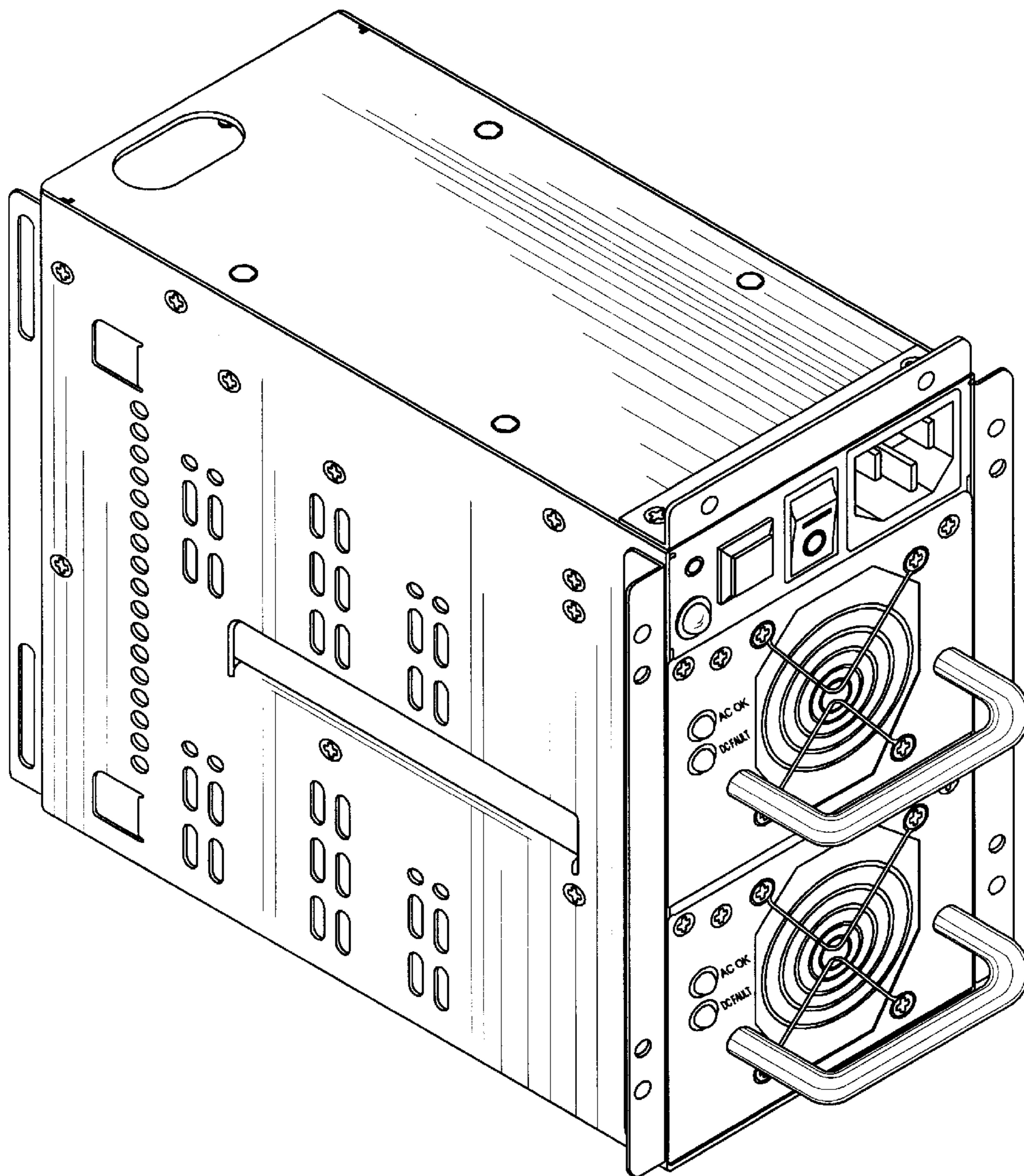
FIG. 1 is a top front and right side perspective view of a computer power supply showing my new design; FIG. 2 is a front elevational view thereof; FIG. 3 is a rear elevational view thereof; FIG. 4 is a left side elevational view thereof; FIG. 5 is a right side elevational view thereof; FIG. 6 is a top plan view thereof; and, FIG. 7 is a bottom plan view thereof.

[56] References Cited

U.S. PATENT DOCUMENTS

5,587,881 12/1996 Wang 361/695
5,612,854 3/1997 Wiscombe et al. 361/727

1 Claim, 4 Drawing Sheets



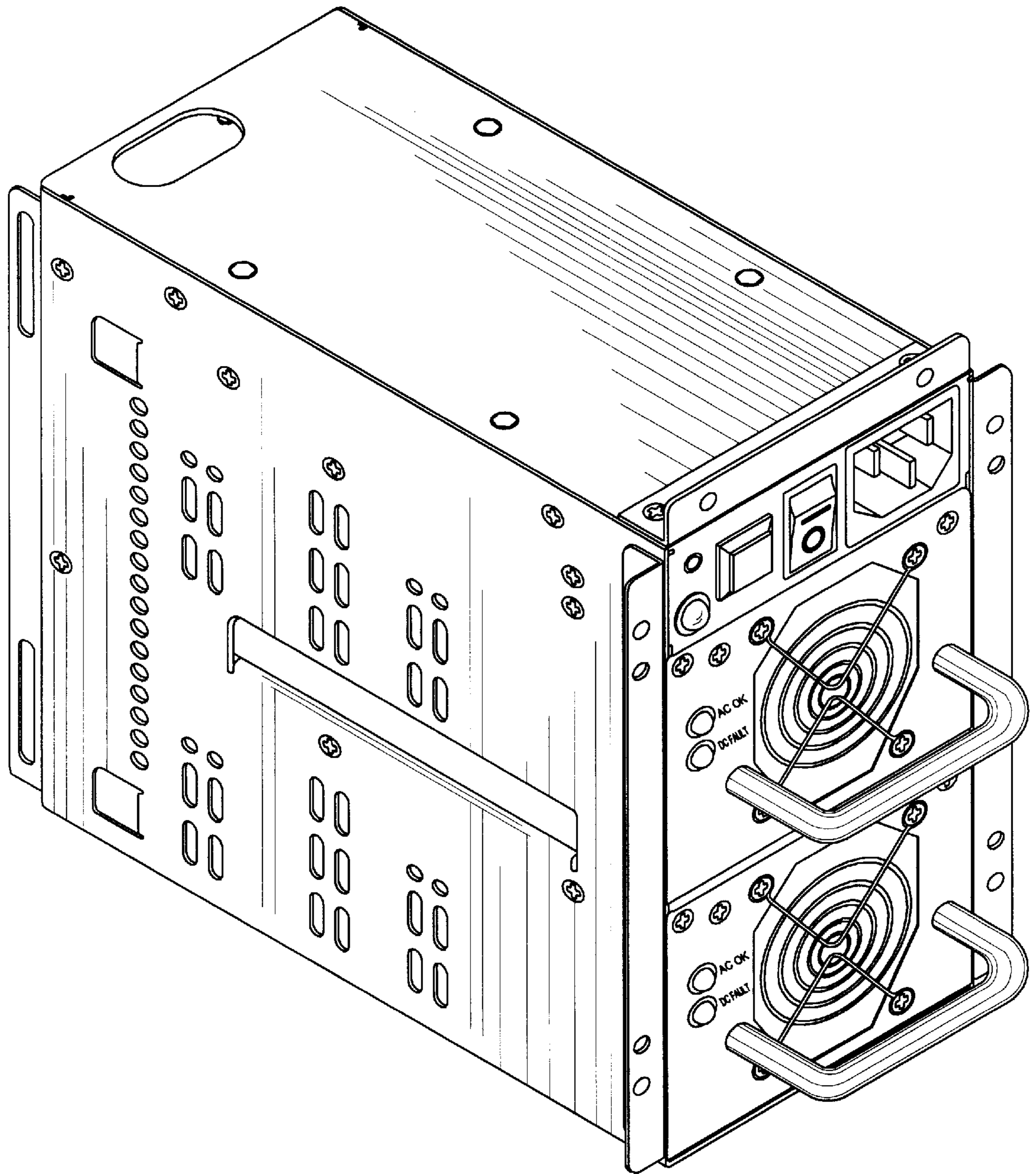


Fig. 1

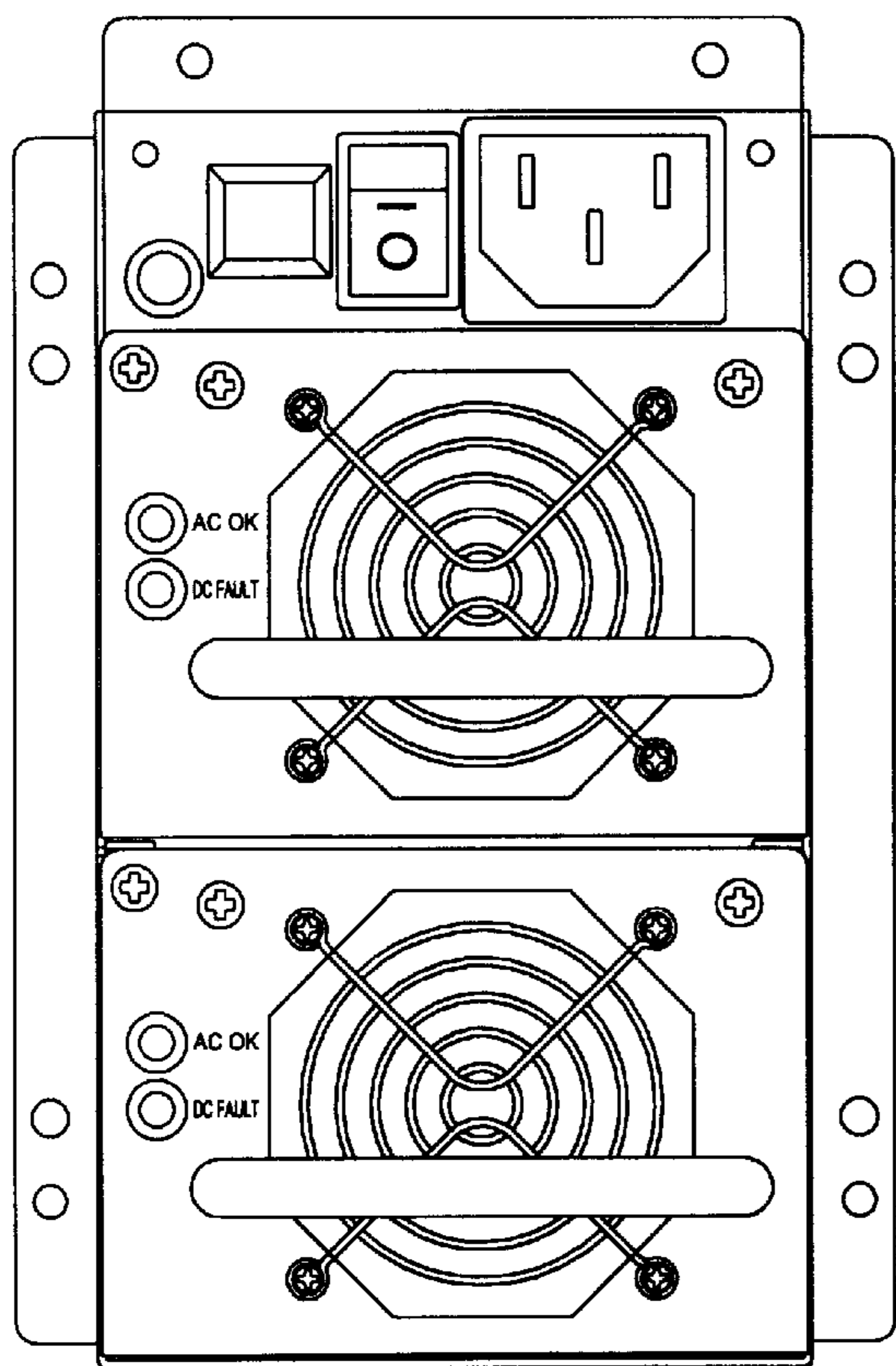


Fig.2

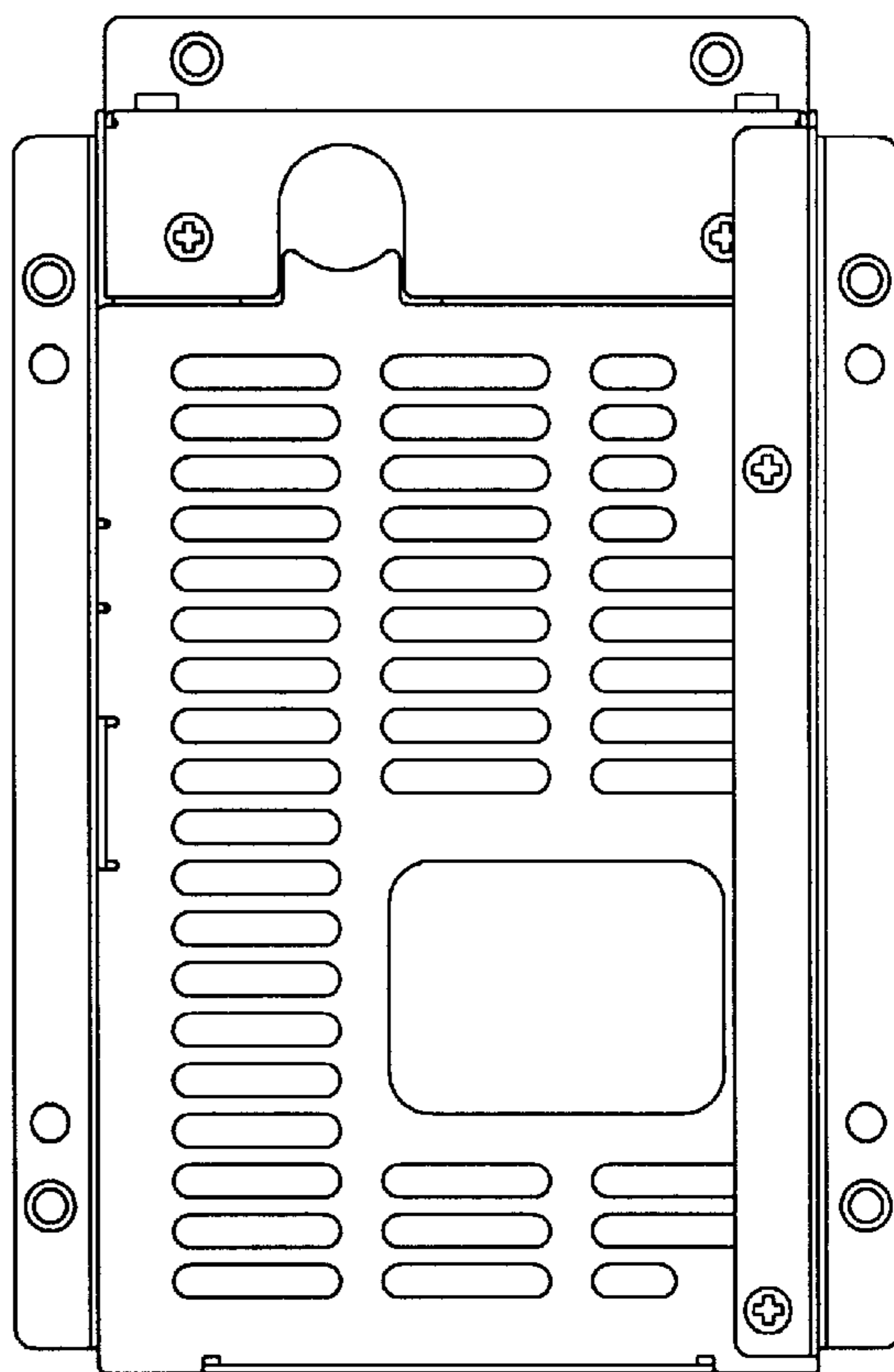


Fig.3

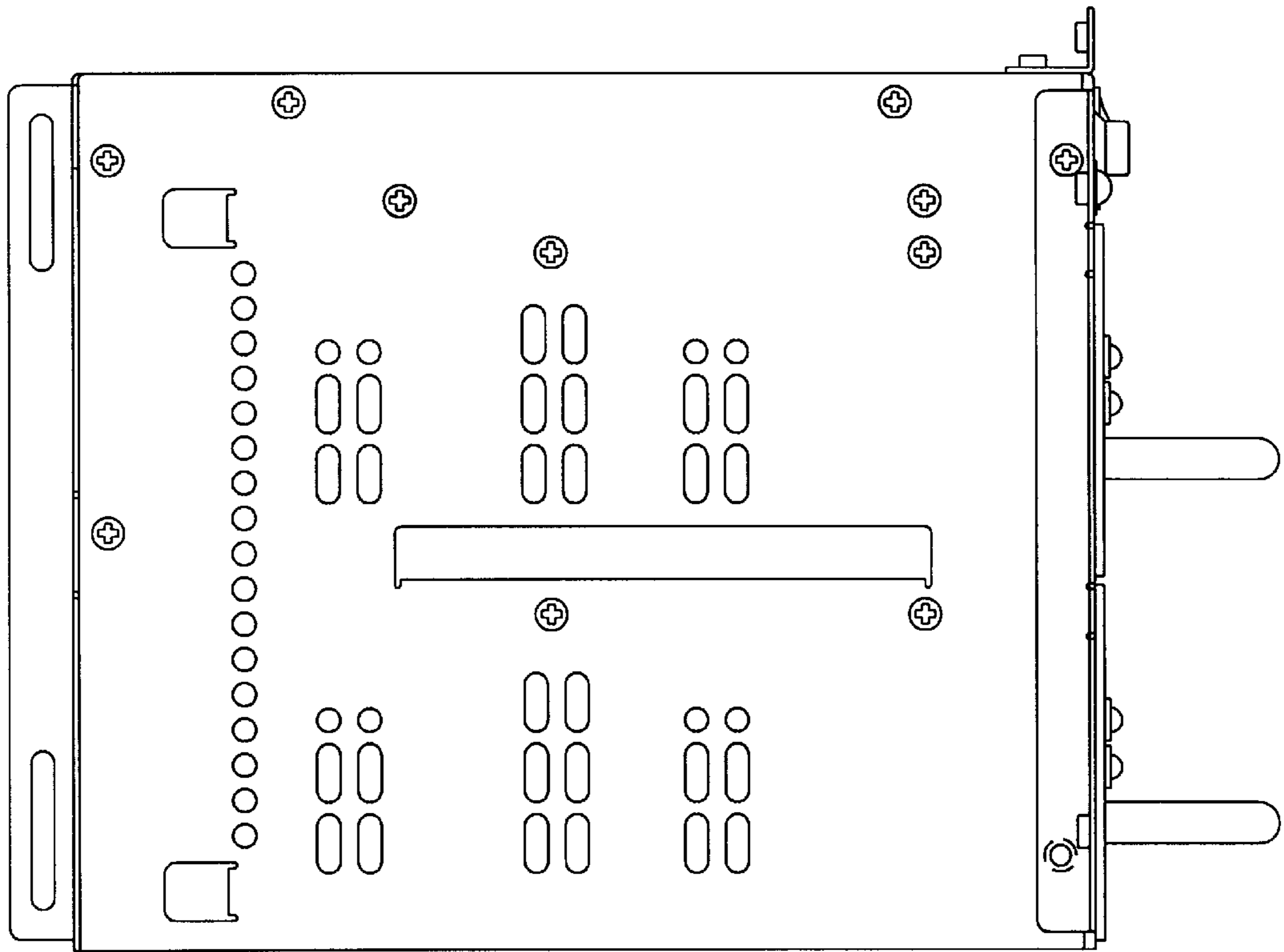


Fig.4

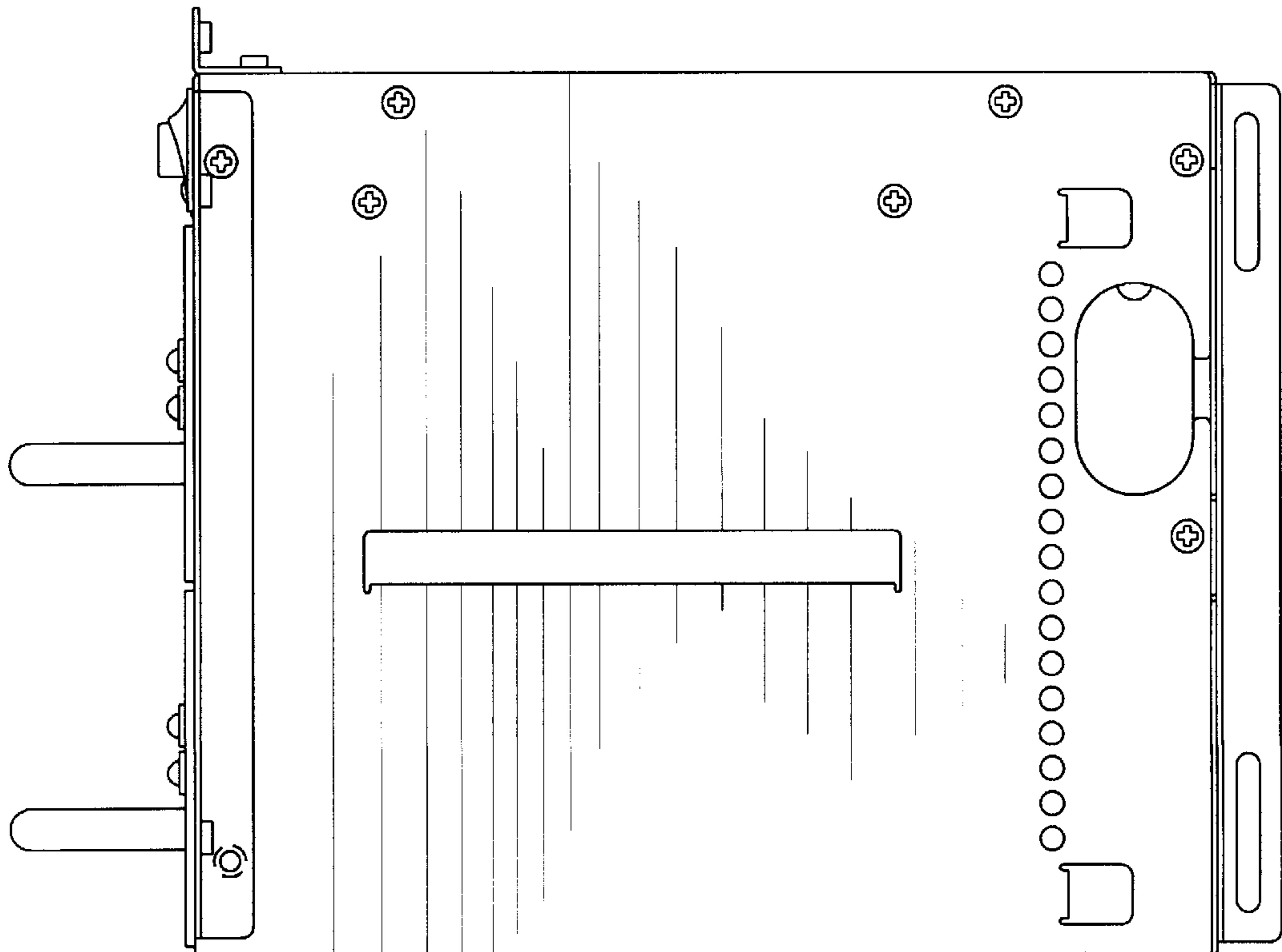


Fig.5

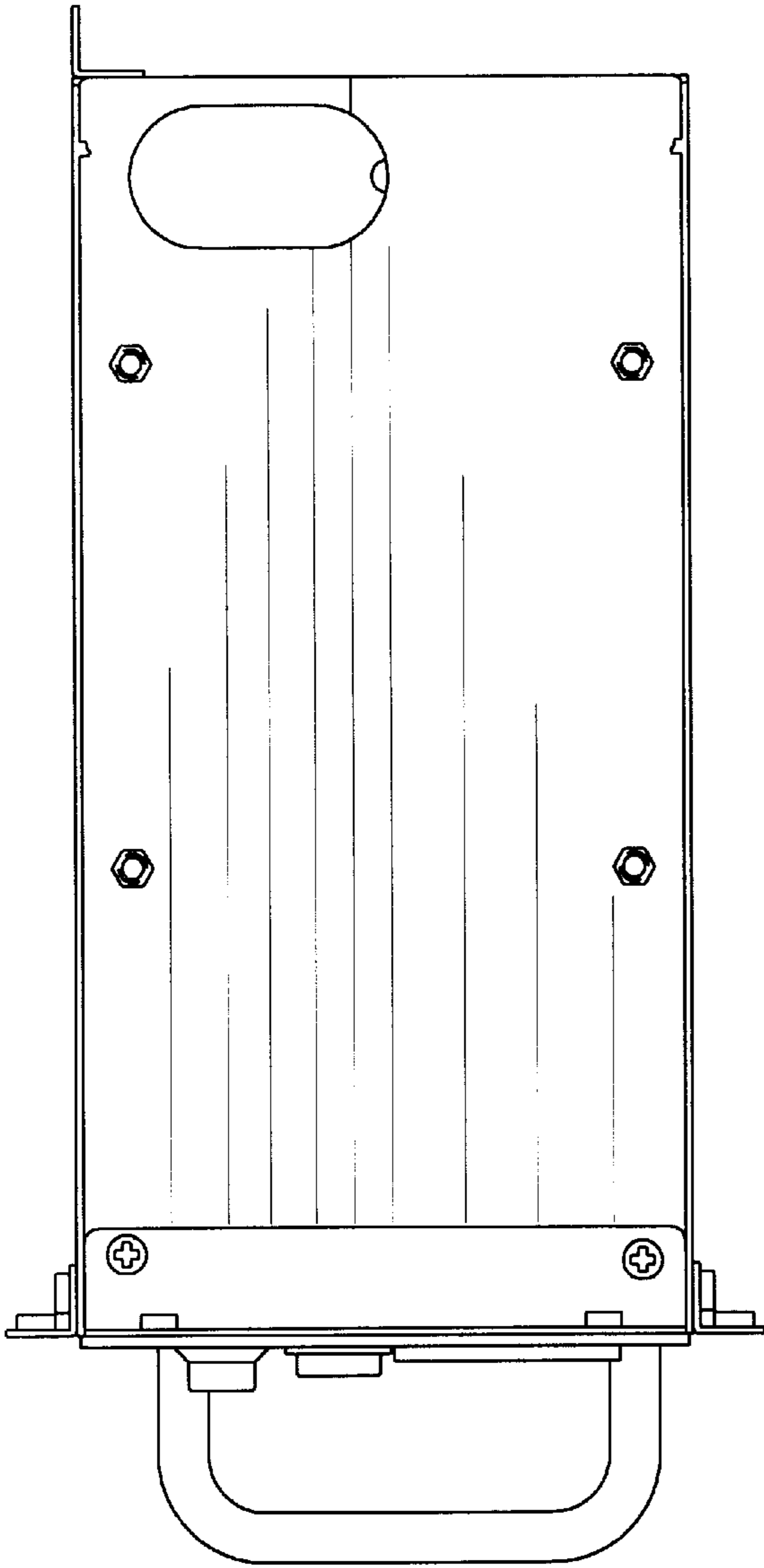


Fig.6

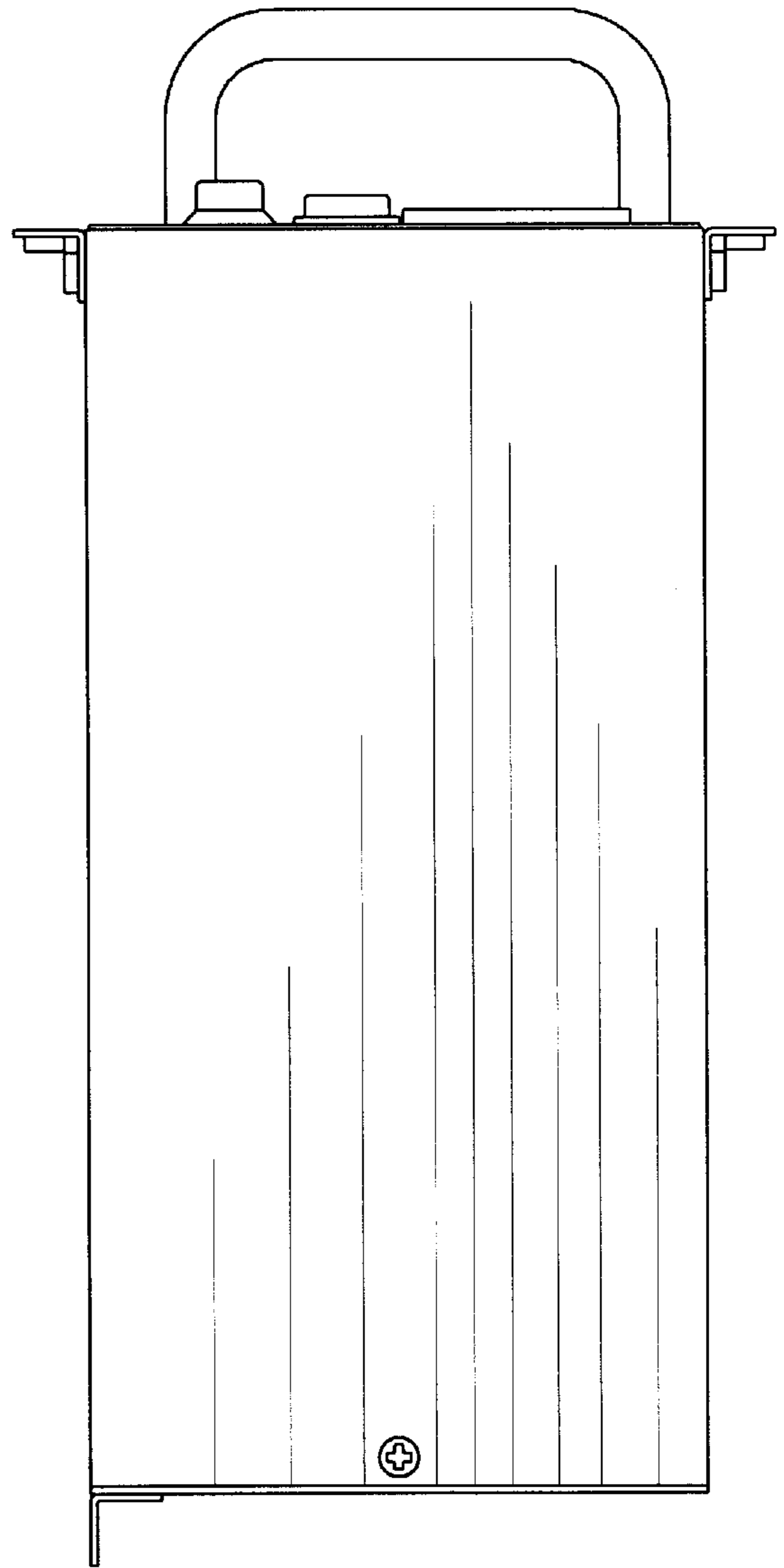


Fig.7