



US00D418800S

United States Patent [19]
Atkin

[11] **Patent Number: Des. 418,800**
[45] **Date of Patent: ** Jan. 11, 2000**

[54] **VEHICULAR CARGO LINER**

[75] Inventor: **Edward Atkin**, London, United Kingdom
[73] Assignee: **Cannon Rubber Ltd.**, United Kingdom
[**] Term: **14 Years**

[21] Appl. No.: **29/095,926**
[22] Filed: **Nov. 2, 1998**

[51] **LOC (7) Cl.** **12-06**
[52] **U.S. Cl.** **D12/221**
[58] **Field of Search** D12/221, 400;
296/39.1, 39.2, 37.1, 37.16; 227/72.33,
72.34, 542

[56] **References Cited**

U.S. PATENT DOCUMENTS

D. 333,645	3/1993	Tyler	D12/221
D. 344,481	2/1994	Ryan	D12/221
D. 347,477	5/1994	Hamilton	D12/221
D. 377,780	2/1997	MacNeil	D12/221

OTHER PUBLICATIONS

WeatherTech® Cargo Liners advertisement, MacNeil Automotive Products, Limited, prices effective Nov. 1, 1994.

Primary Examiner—Melody N. Brown
Attorney, Agent, or Firm—Foley & Lardner

[57] **CLAIM**

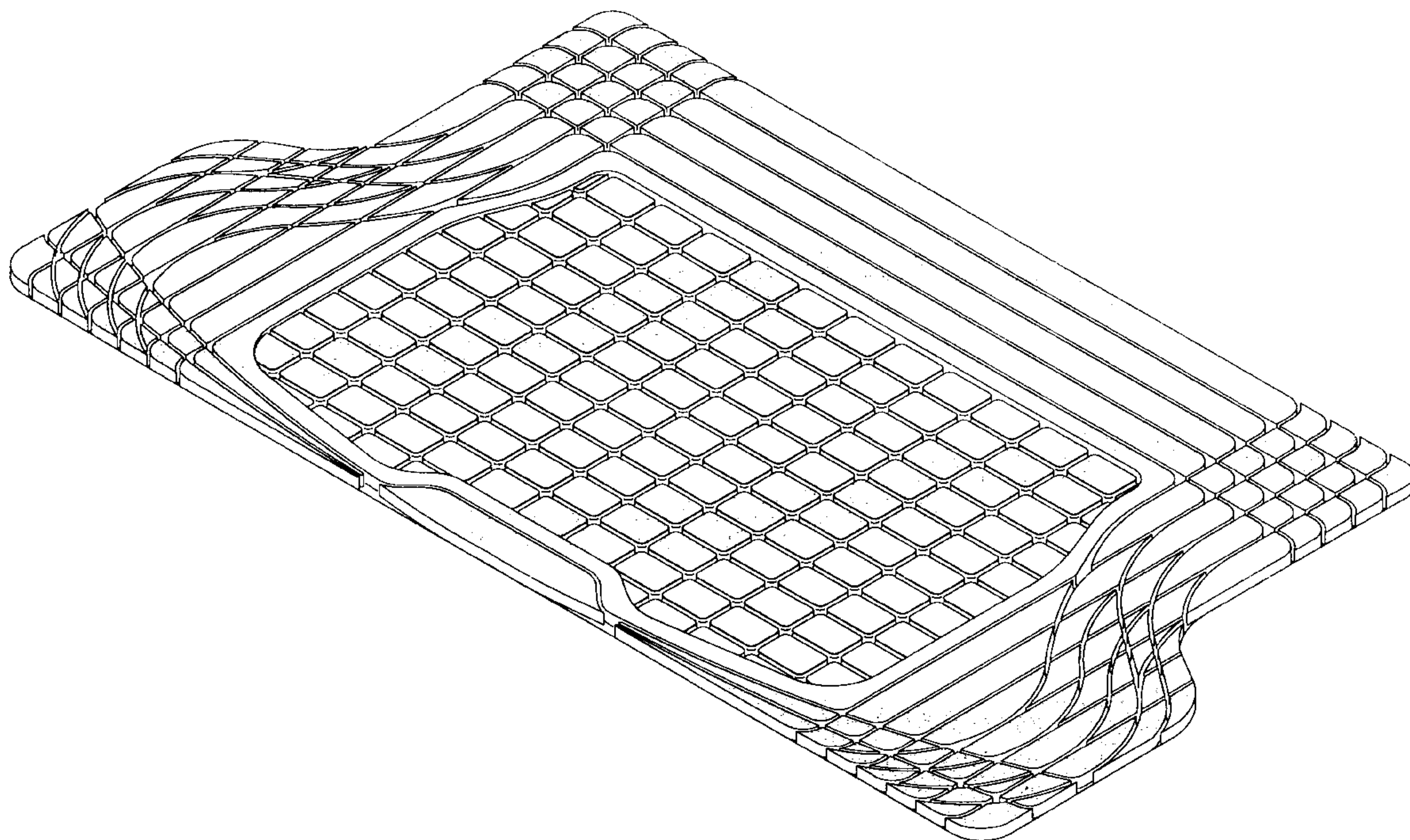
The ornamental design for a vehicular cargo liner, as shown and described.

DESCRIPTION

FIG. 1 is a perspective view of my design;
FIG. 2 is a top view of my design;
FIG. 3 is a front elevational view of my design;
FIG. 4 is a back elevational view of my design; and,
FIG. 5 is an elevational view of one side of my design, and opposite side edge view being a mirror image of the side shown.

The back of the vehicular cargo liner is unornamental and forms no portion of the design.

1 Claim, 2 Drawing Sheets



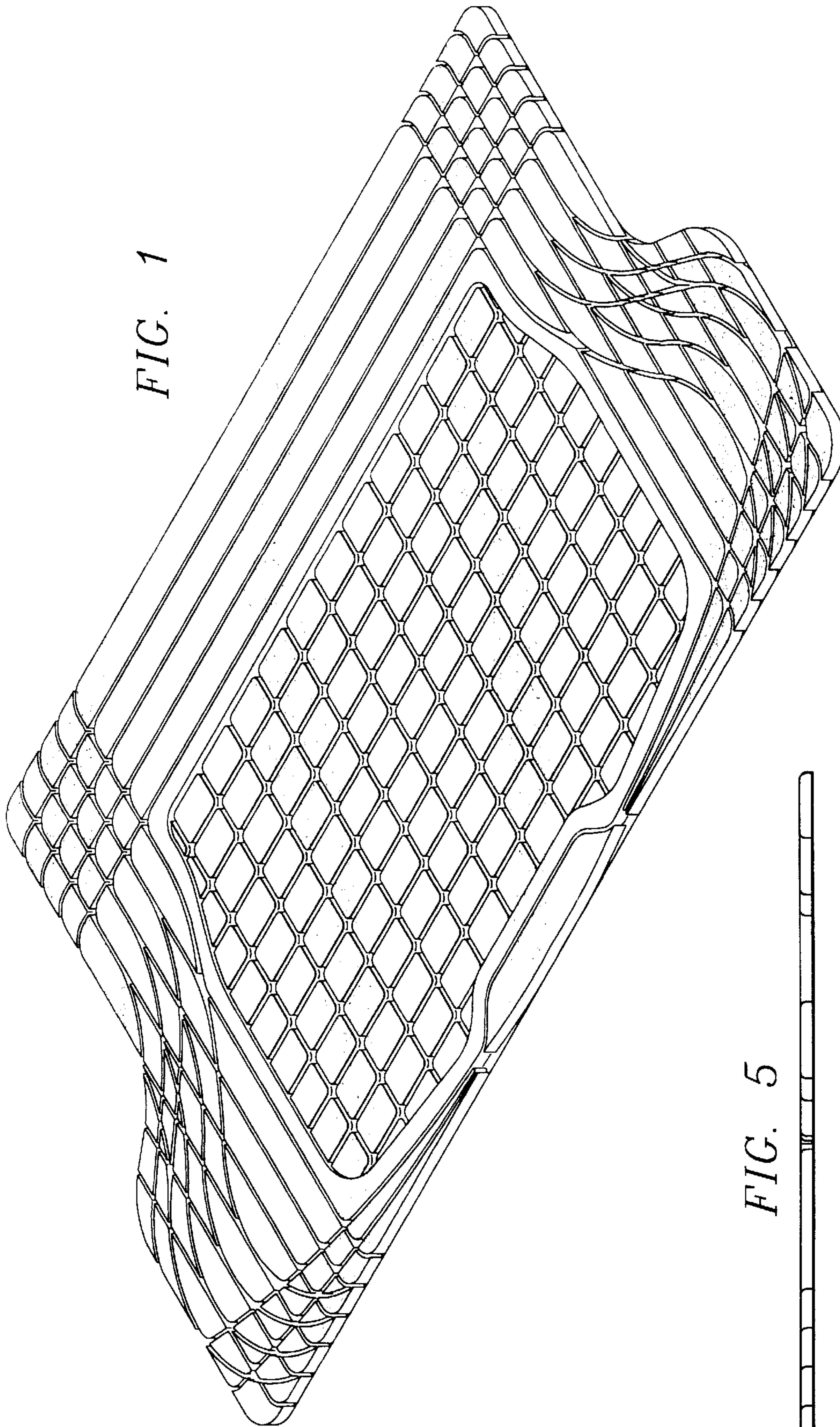


FIG. 1



FIG. 5



FIG. 4



FIG. 3

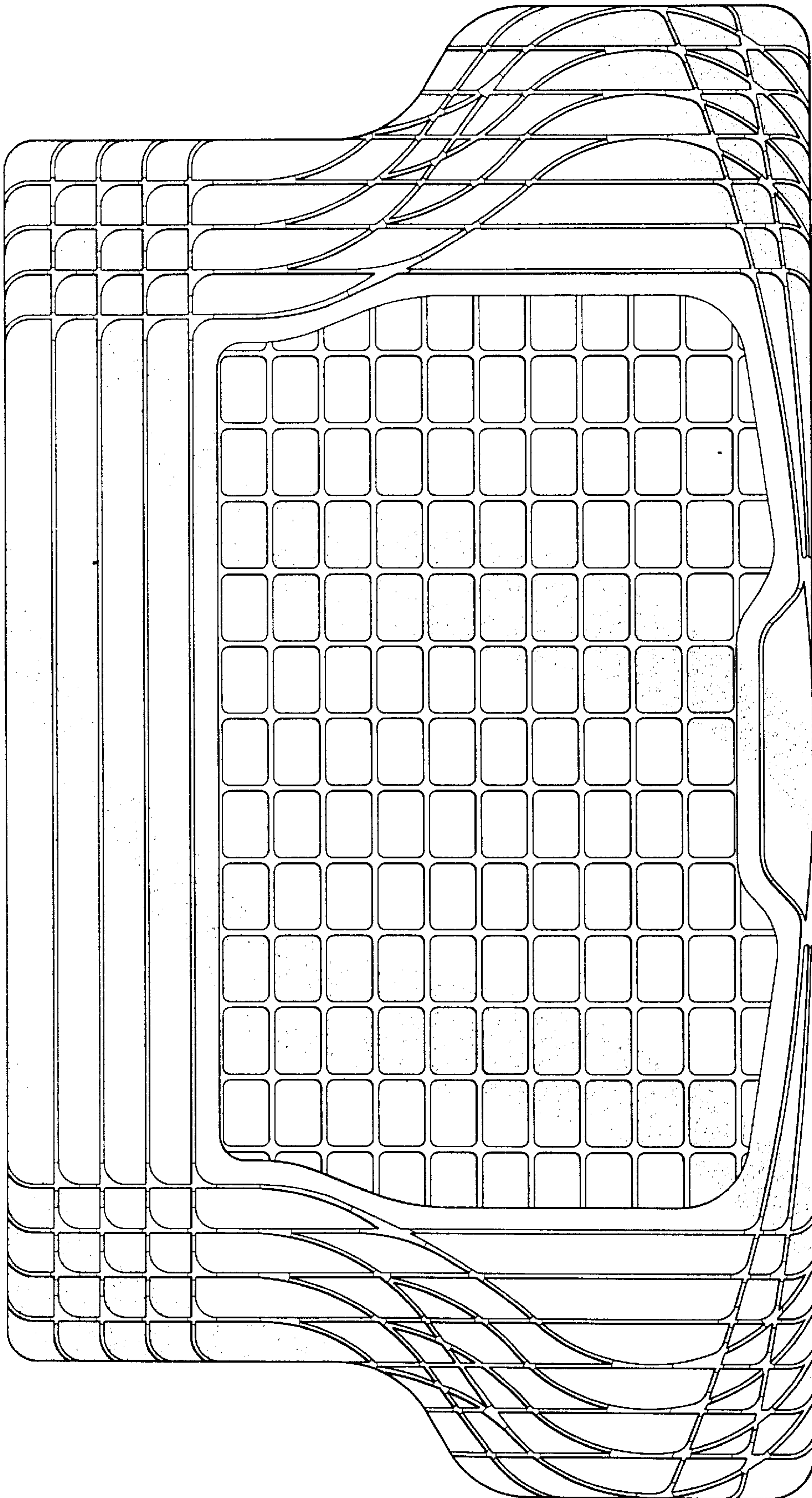


FIG. 2