



US00D418797S

United States Patent [19] Chung

[11] Patent Number: **Des. 418,797**

[45] Date of Patent: **** Jan. 11, 2000**

[54] **AUTOMOTIVE WHEEL**

[75] Inventor: **Suny Chung**, Placentia, Calif.

[73] Assignee: **DM Tech America, Inc.**, Cerritos, Calif.

[**] Term: **14 Years**

[21] Appl. No.: **29/106,045**

[22] Filed: **Jun. 7, 1999**

[51] **LOC (7) Cl.** **12-16**

[52] **U.S. Cl.** **D12/209**

[58] **Field of Search** D12/204-213;
301/64.1, 65, 37.1

[56] **References Cited**

U.S. PATENT DOCUMENTS

D. 388,045	12/1997	Sakagami et al.	D12/209
D. 398,573	9/1998	Cattaneo	D12/211
D. 402,251	12/1998	Timm	D12/211
D. 405,749	2/1999	Kulla	D12/211

D. 408,777	4/1999	Chung	D12/211
D. 409,132	5/1999	Cullen	D12/211
D. 409,548	5/1999	Chung	D12/209
D. 409,549	5/1999	Chung	D12/209
D. 409,967	5/1999	Chung	D12/209
D. 411,501	6/1999	Cullen	D12/209
D. 411,502	6/1999	Chung	D12/211

Primary Examiner—Jeffrey Asch
Assistant Examiner—Stacia Sinuik
Attorney, Agent, or Firm—G. Donald Weber, Jr.

[57] **CLAIM**

The ornamental design for an automotive wheel, as shown and described.

DESCRIPTION

FIG. 1 is an oblique view of the automotive wheel of the instant invention.

FIG. 2 is a front view of the automotive wheel of the instant invention.

The broken line showing of environment is for illustrative purposes only and forms no part of the claimed design.

1 Claim, 1 Drawing Sheet

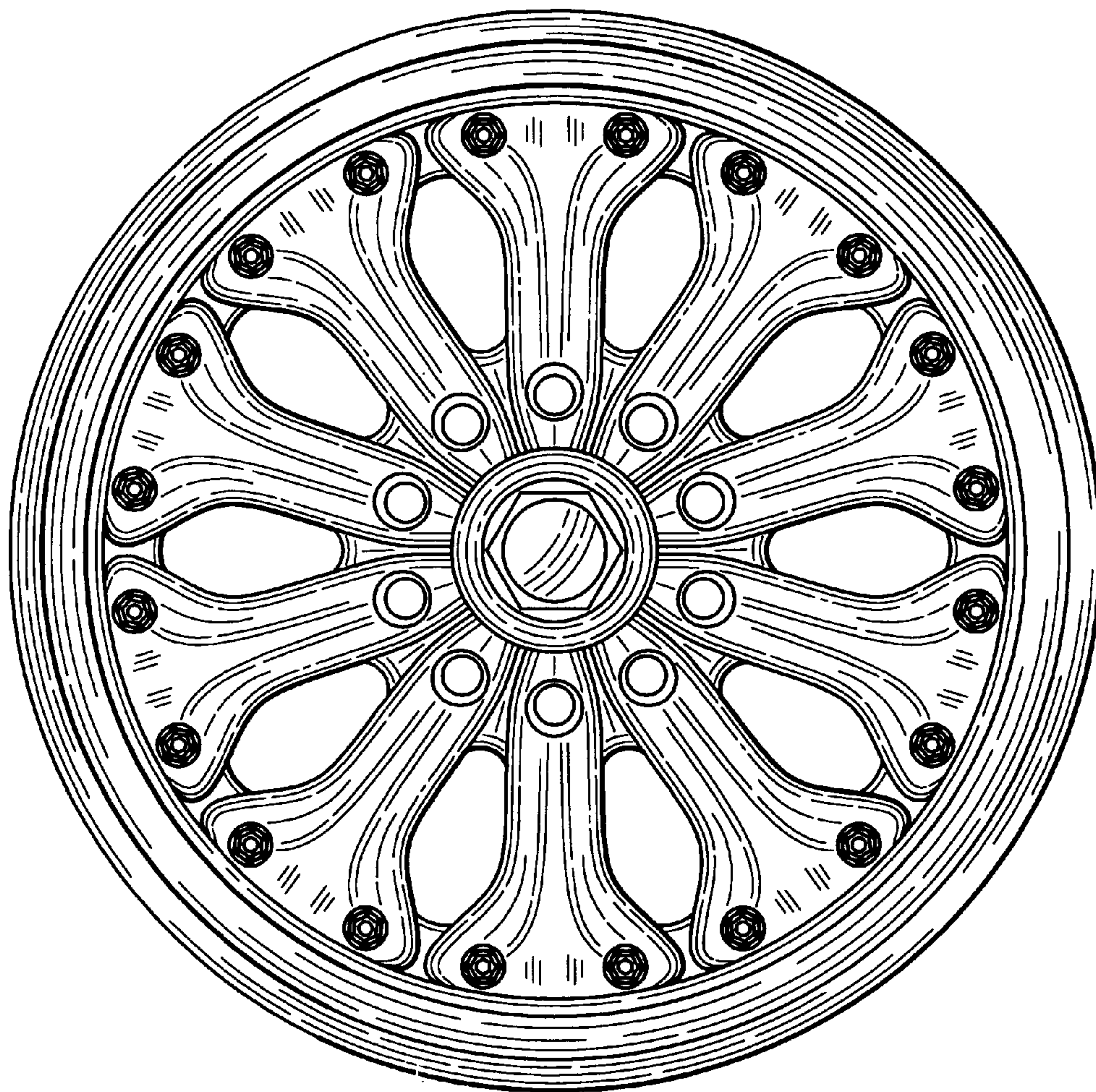


Fig. 1

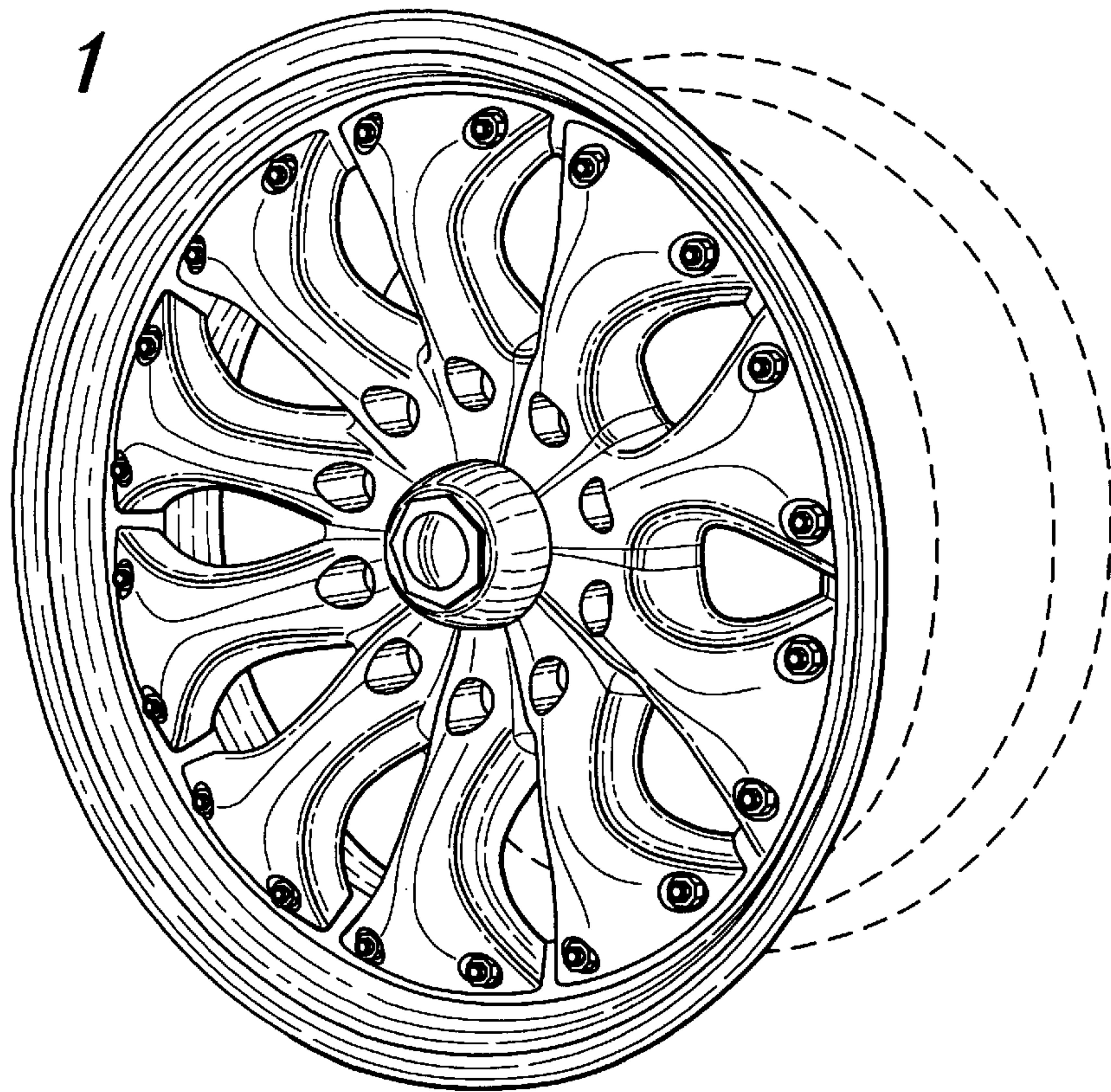


Fig. 2

