



US00D418790S

United States Patent [19]
Gabath

[11] **Patent Number: Des. 418,790**
[45] **Date of Patent: ** Jan. 11, 2000**

[54] **SURFACE CONFIGURATION OF A SIDE PANEL FOR A VEHICLE**

[75] Inventor: **Peter Gabath**, Starnberg, Germany

[73] Assignee: **Bayerische Motoren Werke Aktiengesellschaft**, Munich, Germany

[**] Term: **14 Years**

[21] Appl. No.: **29/097,520**

[22] Filed: **Dec. 9, 1998**

[30] **Foreign Application Priority Data**

Jun. 10, 1998 [DE] Germany M 98 05 818

[51] **LOC (7) Cl.** **12-16**

[52] **U.S. Cl.** **D12/196**

[58] **Field of Search** D12/196, 90-92;
296/185

[56] **References Cited**

U.S. PATENT DOCUMENTS

- D. 309,287 7/1990 Envall et al. D12/196
- D. 312,804 12/1990 Okuno D12/196
- D. 374,642 10/1996 Lawson D12/196

D. 387,025 12/1997 Lagaay et al. D12/196

Primary Examiner—Melody N. Brown
Attorney, Agent, or Firm—Evenson, McKeown, Edwards & Lenahan, P.L.L.C.

[57] **CLAIM**

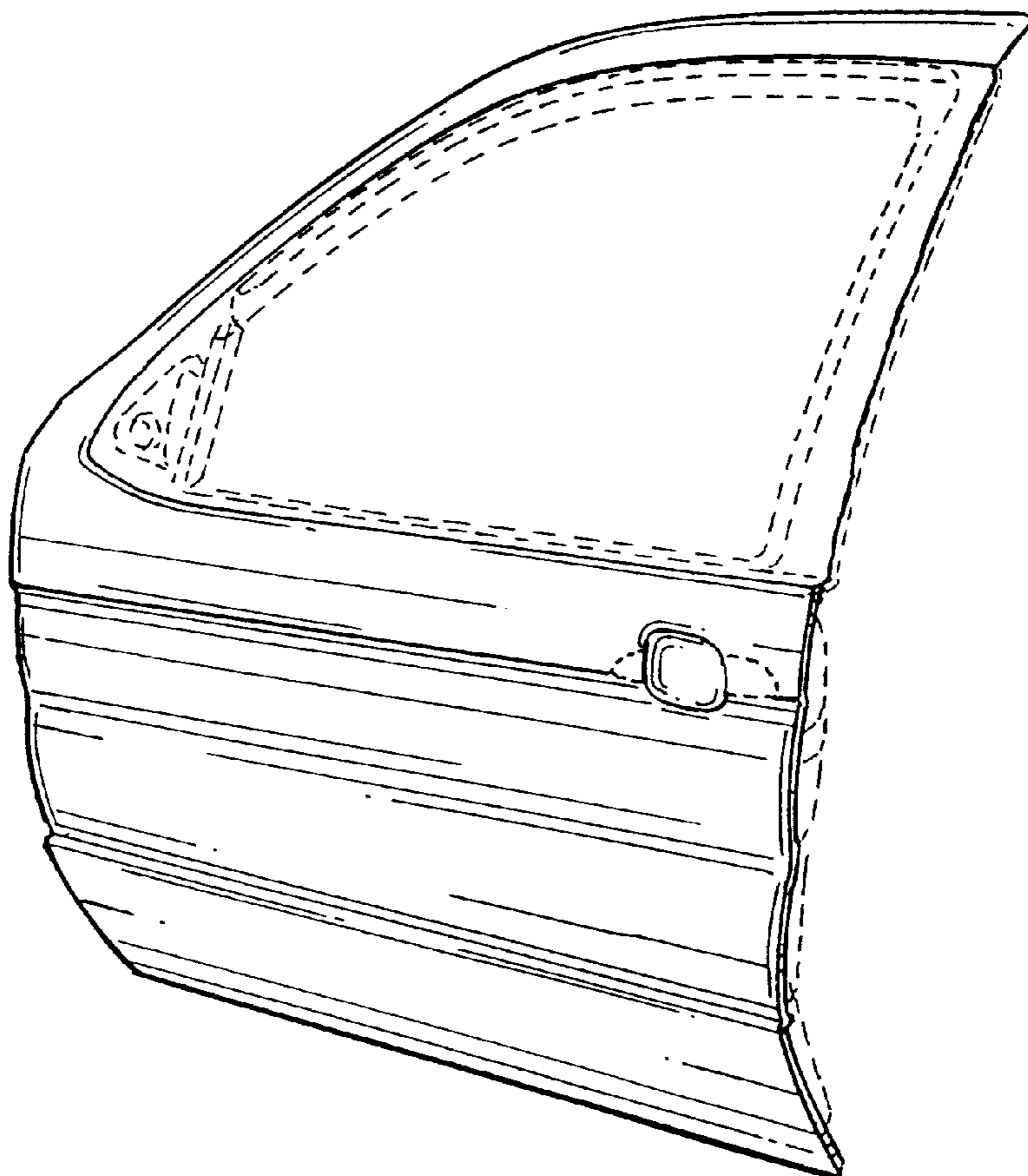
The ornamental design for a surface configuration of a side panel for a vehicle, as shown and described.

DESCRIPTION

FIG. 1 is a front view of a surface configuration of a side panel for a vehicle according to my novel design; FIG. 2 is a left side view of a surface configuration of a side panel for a vehicle according to my novel design; FIG. 3 is a right side view of a surface configuration of a side panel for a vehicle according to my novel design; FIG. 4 is a top view of a surface configuration of a side panel for a vehicle according to my novel design; and, FIG. 5 is a perspective view from the front right of a surface configuration of a side panel for a vehicle according to my novel design.

The broken line included depicts environment and is not part of the claimed design. The embodiment shown is a side panel for a full size motor vehicle.

1 Claim, 2 Drawing Sheets



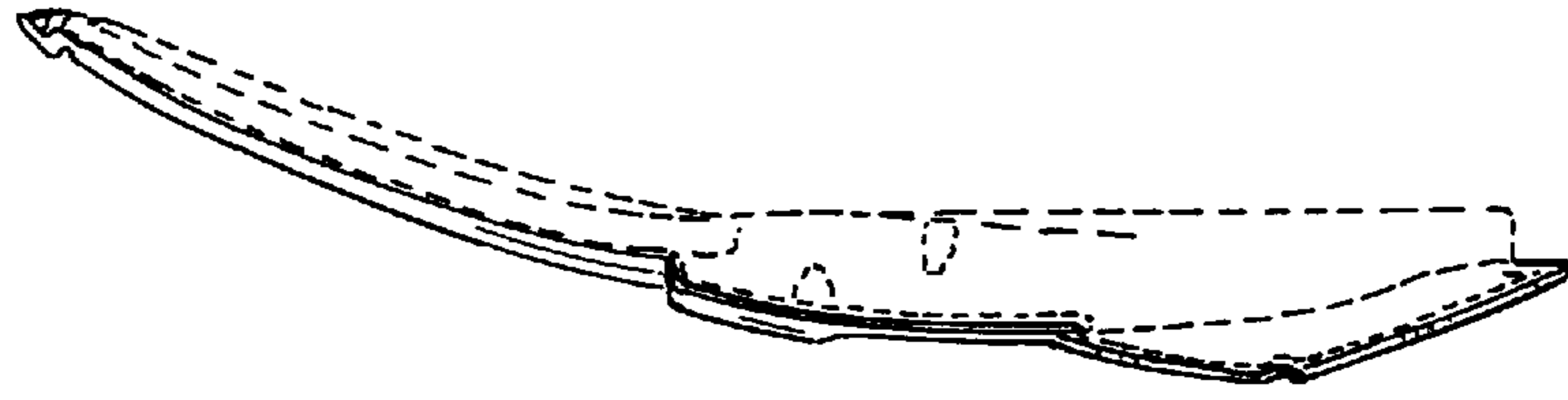


FIG. 3

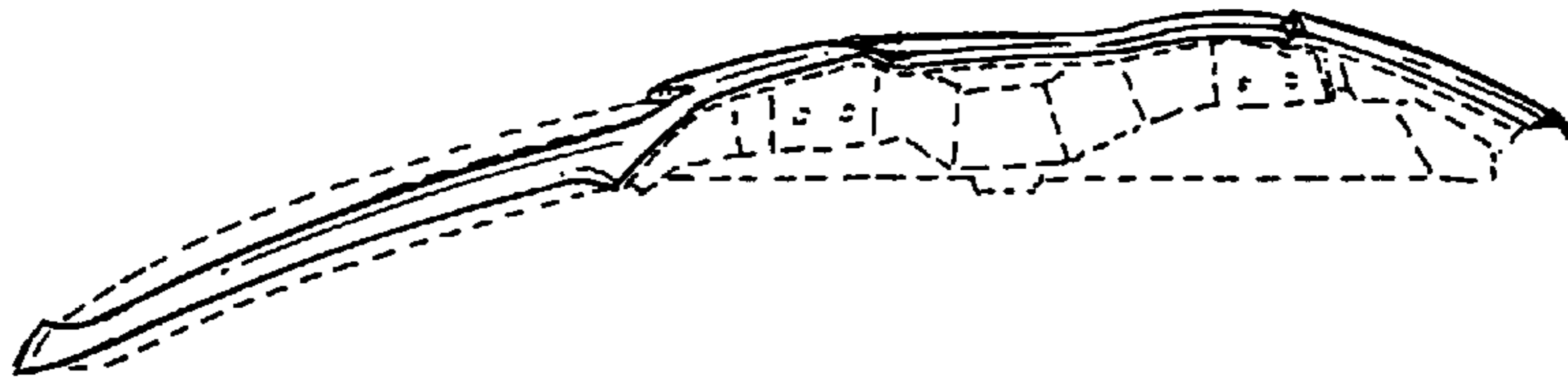


FIG. 2

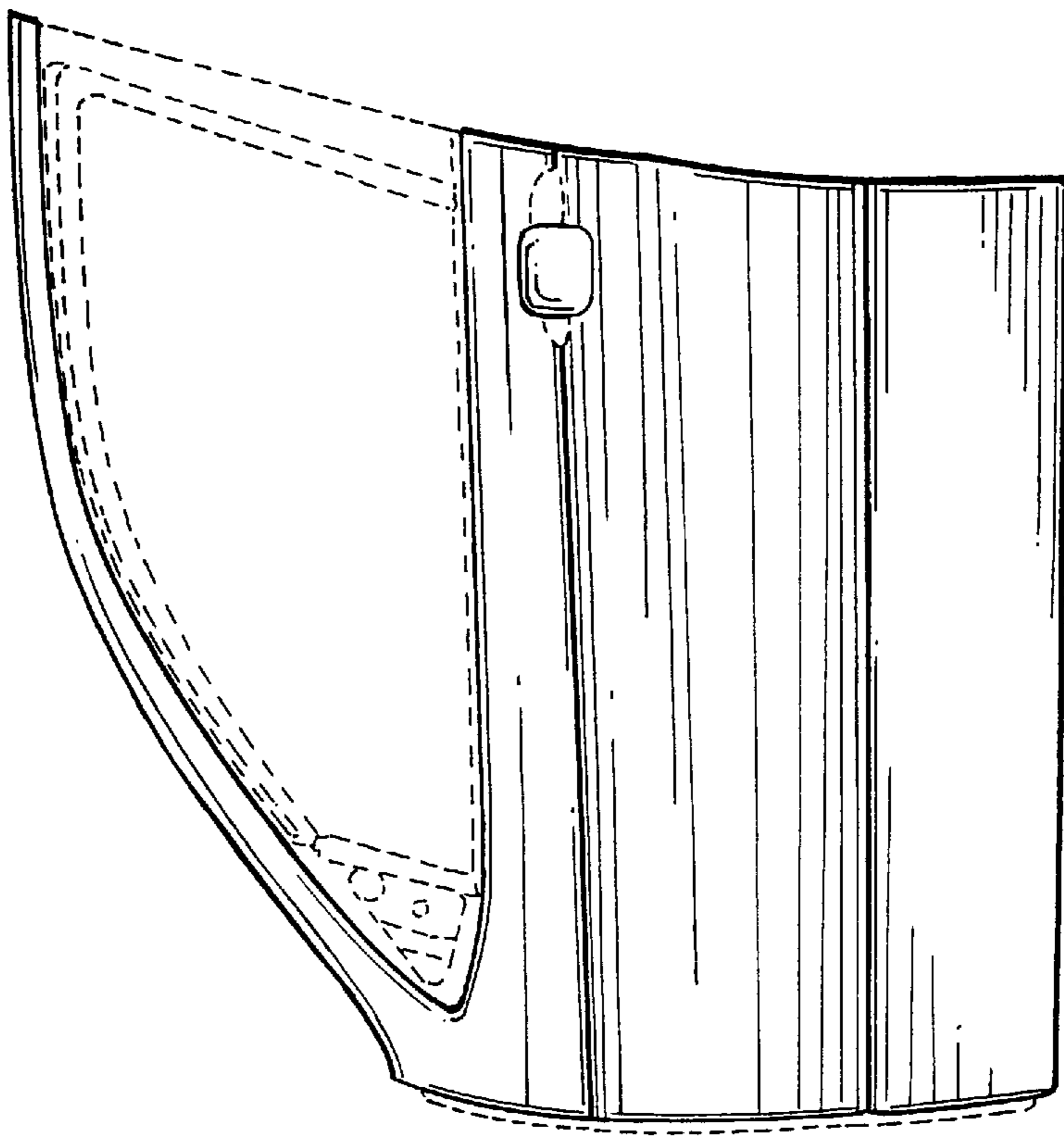


FIG. 1

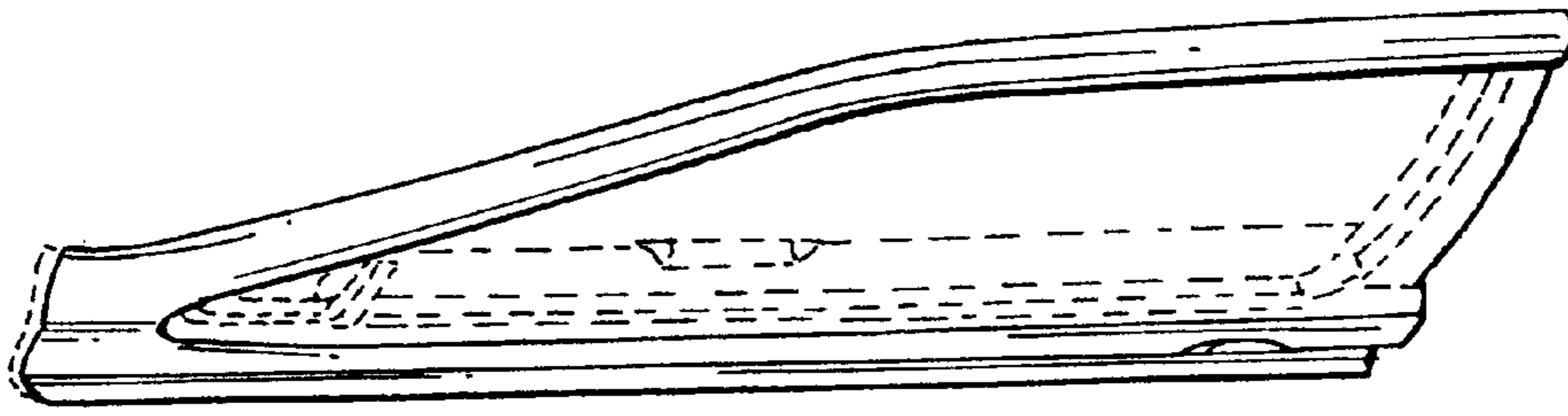


FIG. 4

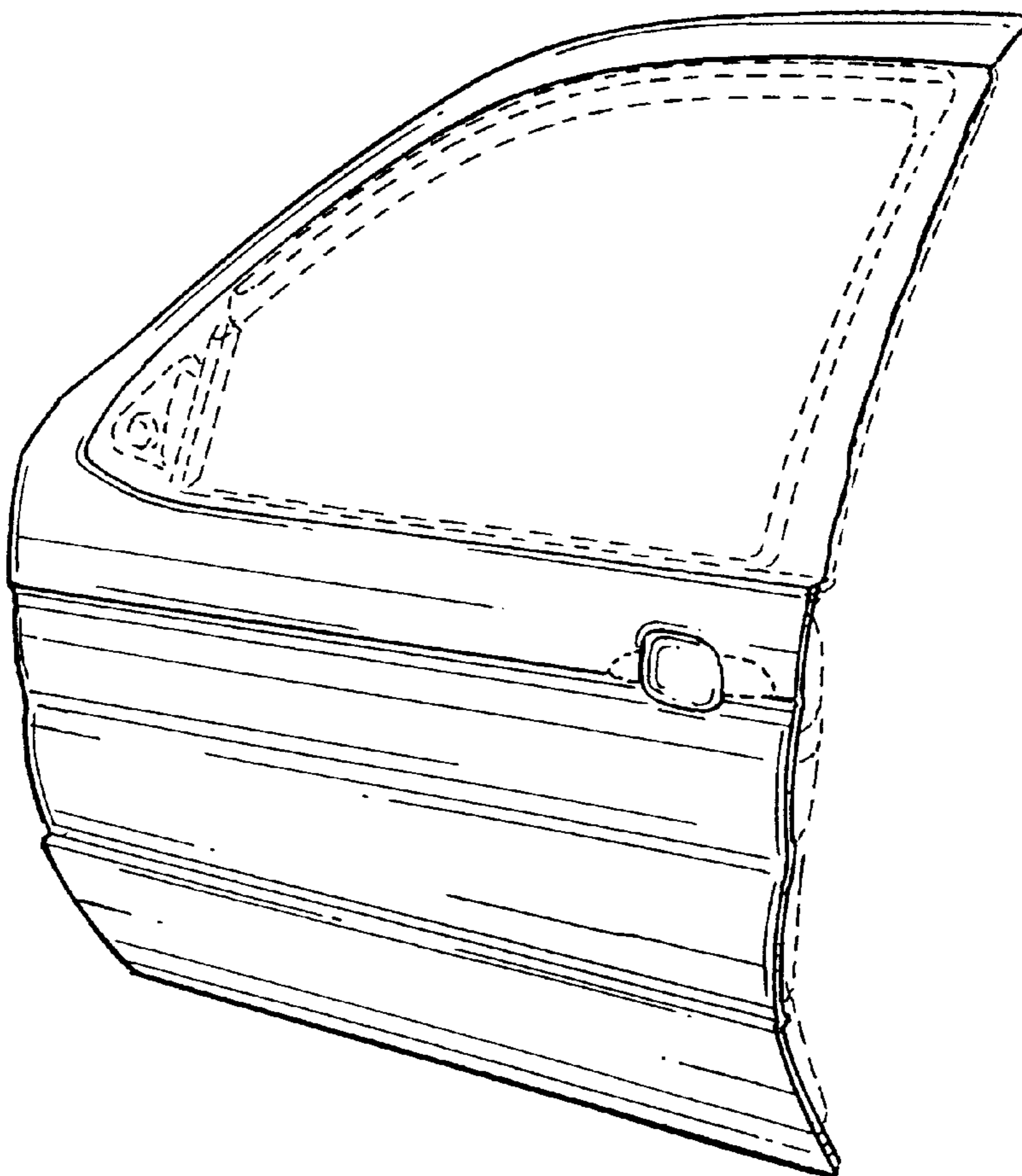


FIG. 5