



US00D418789S

# United States Patent [19] Sloan

[11] **Patent Number: Des. 418,789**

[45] **Date of Patent: \*\* Jan. 11, 2000**

[54] **HOLDER FOR AUTOMOTIVE LICENSE TAG**

2,809,454 10/1957 Maynard ..... D6/313 X

[76] Inventor: **George W. Sloan**, 2535 Cloister Dr.,  
Charlotte, N.C. 28211

*Primary Examiner*—Robert M. Spear  
*Attorney, Agent, or Firm*—Dougherty & Associates

[\*\*] Term: **14 Years**

[57] **CLAIM**

[21] Appl. No.: **29/077,668**

The ornamental design for a holder for and automotive license tag, as shown and described.

[22] Filed: **Sep. 29, 1997**

**DESCRIPTION**

[51] **LOC (7) Cl.** ..... **12-16**

[52] **U.S. Cl.** ..... **D12/193**

[58] **Field of Search** ..... D12/193, 400;  
D6/300, 303-306, 310-314, 566; 40/200,  
207, 208, 209, 210, 591; 224/522, 524,  
527; 280/727, 769

FIG. 1 is an isometric drawing of a holder for an automotive license tag.

FIG. 2 is a top view of the holder of FIG. 1.

FIG. 3 is a left side view of the holder of FIG. 1.

FIG. 4 is a front view of the holder of FIG. 1.

FIG. 5 is a right side view of the holder of FIG. 1.

FIG. 6 is a bottom view of the holder of FIG. 1.

FIG. 7 is an isometric drawing of a second embodiment of a holder for an automotive license tag.

FIG. 8 is a top view of the holder of FIG. 7.

FIG. 9 is a left side view of the holder of FIG. 7.

FIG. 10 is a front view of the holder of FIG. 7.

FIG. 11 is right side view of the holder of FIG. 7; and,

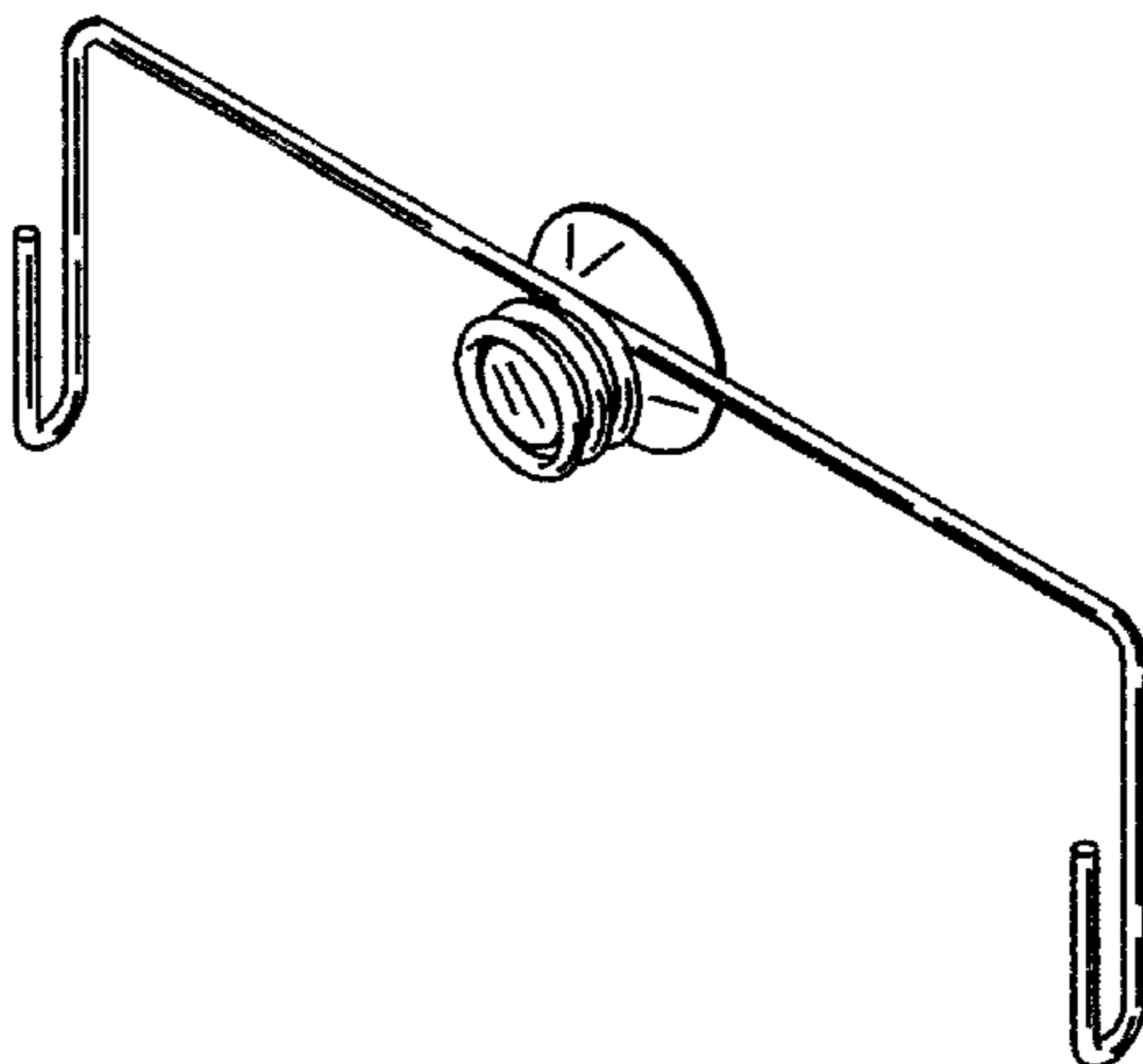
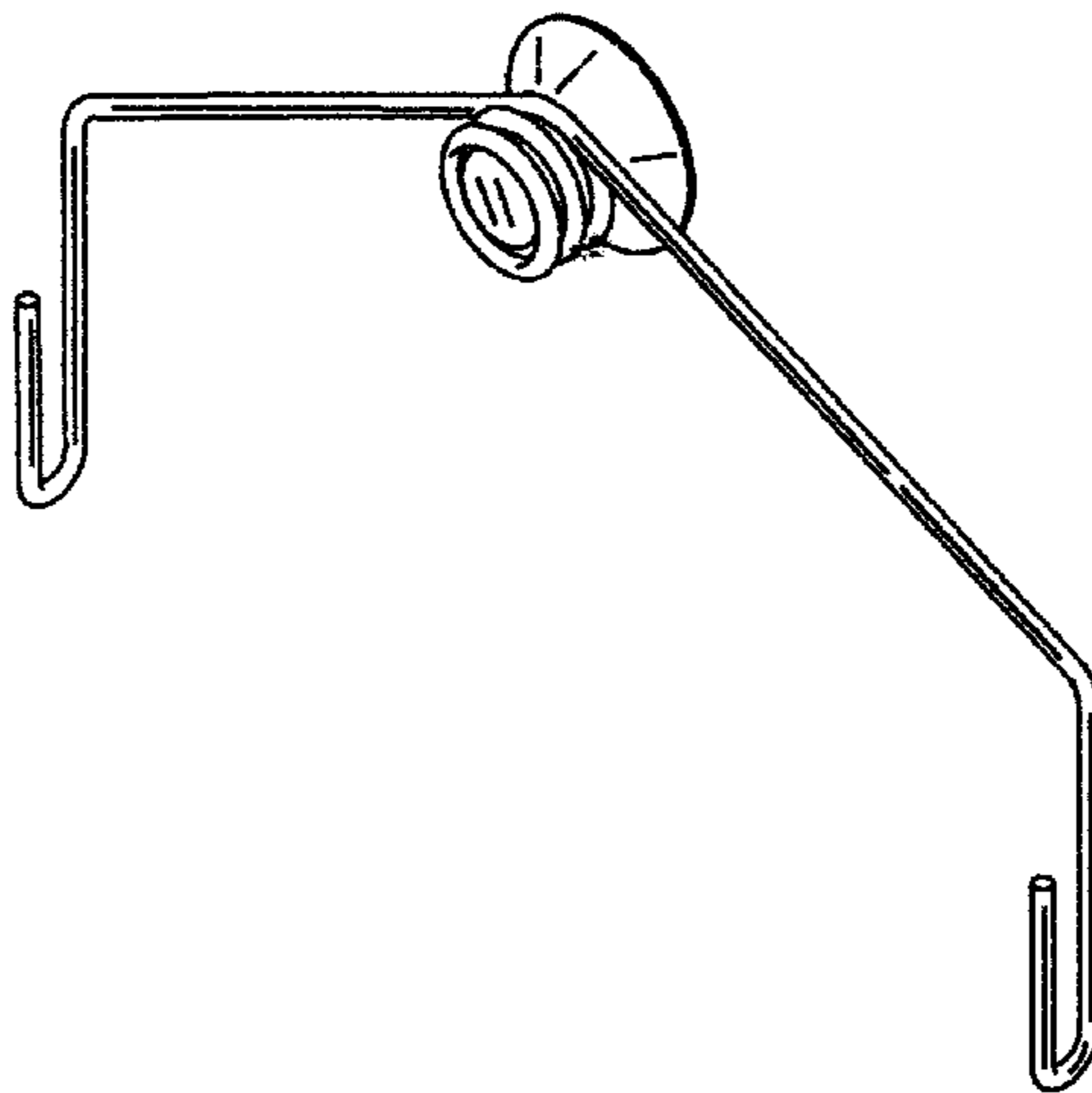
FIG. 12 is a bottom view of the holder of FIG. 7.

[56] **References Cited**

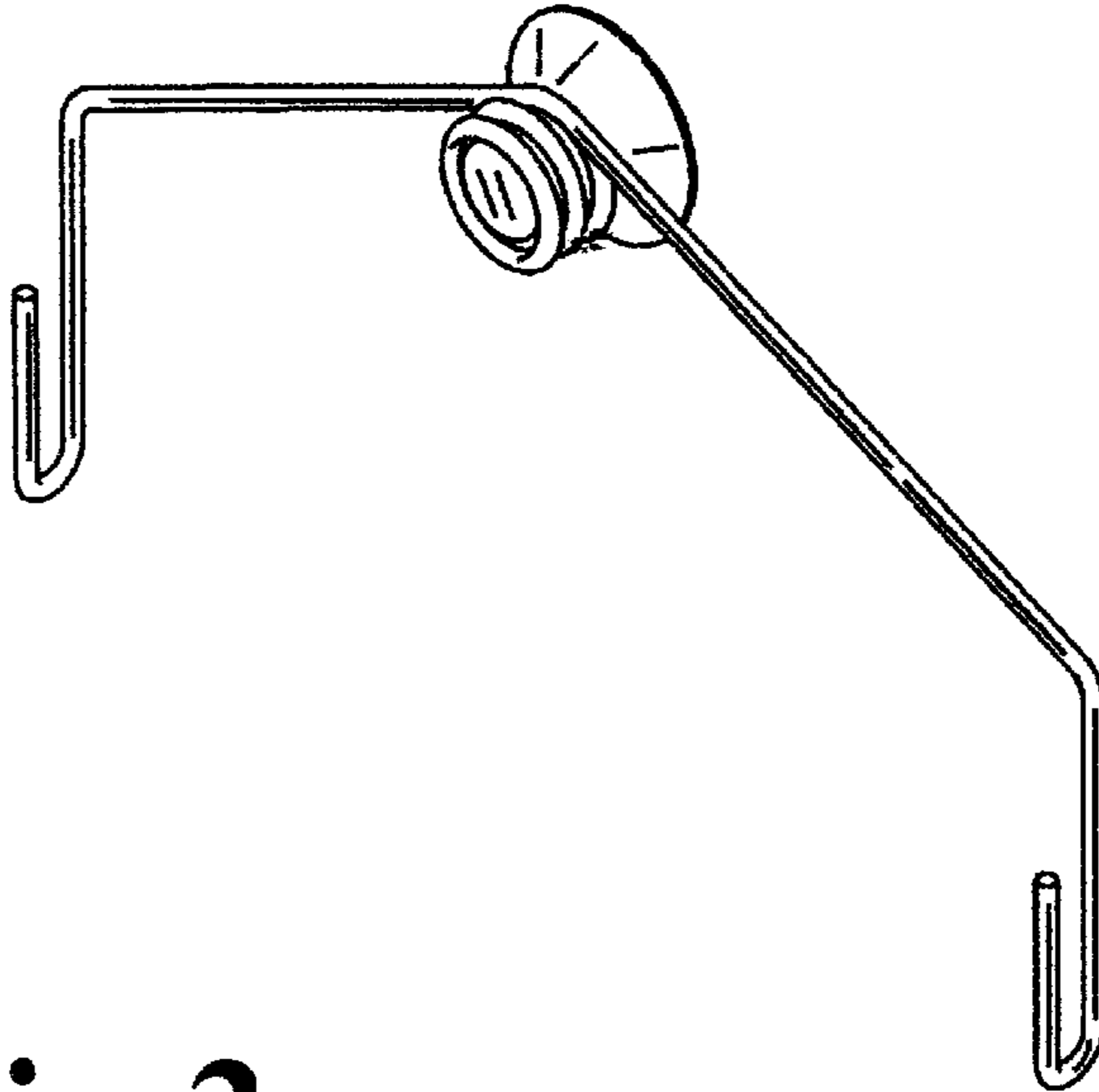
### U.S. PATENT DOCUMENTS

D. 32,979	7/1900	Lehner	.....	D6/313
D. 126,411	4/1941	Audette	.....	D6/566
D. 354,873	1/1995	Odbert	.....	D6/566
1,241,292	9/1917	Slick	.....	40/209
1,360,880	11/1920	Buchholz	.....	40/209
1,644,423	10/1927	Fearson	.....	40/200
1,645,229	10/1927	Churmusi	.....	40/209

**1 Claim, 2 Drawing Sheets**



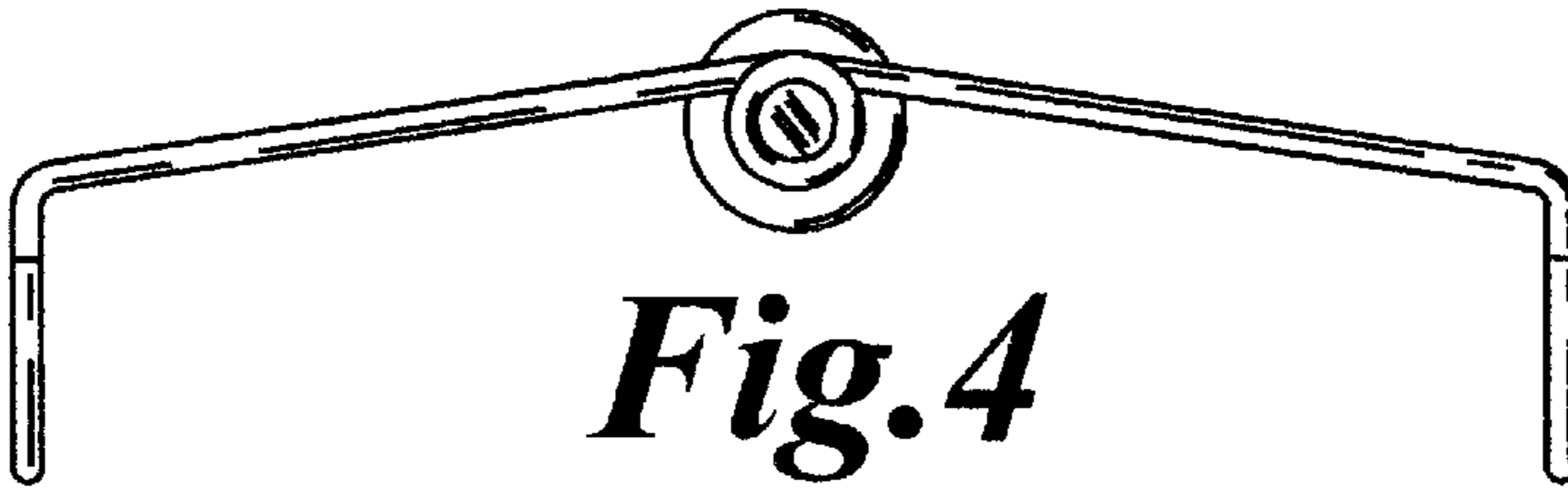
*Fig.1*



*Fig.2*



*Fig.3*



*Fig.4*

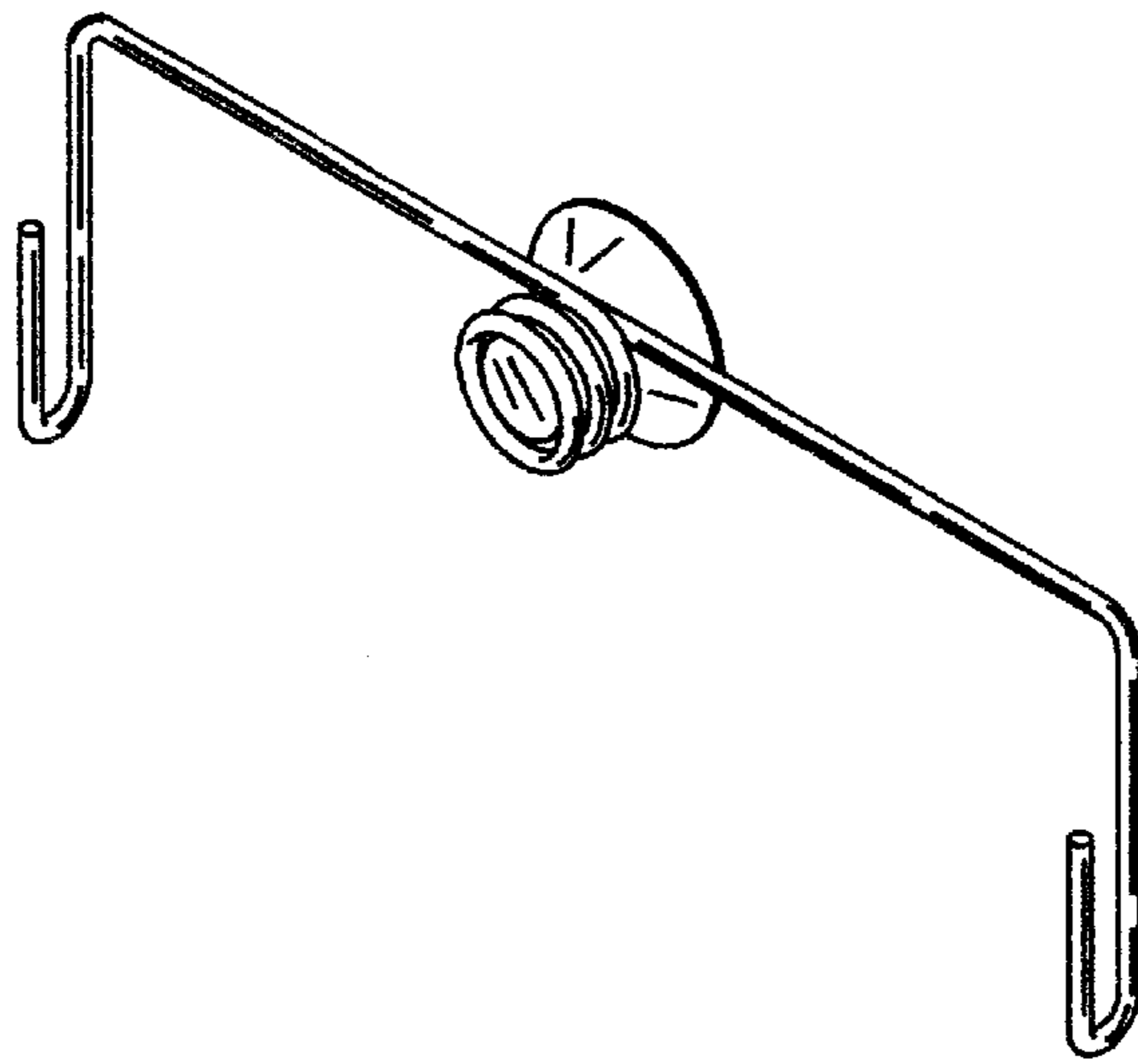


*Fig.5*



*Fig.6*

*Fig. 7*



*Fig. 8*



*Fig. 9*



*Fig. 10*



*Fig. 11*



*Fig. 12*