



US00D418785S

United States Patent [19]

Lovell et al.

[11] Patent Number: **Des. 418,785**

[45] Date of Patent: **** Jan. 11, 2000**

[54] TIRE TREAD

[75] Inventors: **Timothy Patrick Lovell**, Peninsula;
Andrew Arpad Kunos, Stow; **Eric John Marazzi**, Akron; **Michael Joseph Weber**, Mogadore, all of Ohio

[73] Assignee: **The Goodyear Tire & Rubber Company**, Akron, Ohio

[**] Term: **14 Years**

[21] Appl. No.: **29/100,145**

[22] Filed: **Feb. 5, 1999**

[51] **LOC (7) Cl.** **12-15**

[52] **U.S. Cl.** **D12/147**

[58] **Field of Search** D12/136-152;
152/209.1, 209.8, 209.9, 209.11, 209.13,
209.16, 209.28, 901, 902, 903

[56] References Cited

U.S. PATENT DOCUMENTS

D. 294,239	2/1988	Graas	D12/146
D. 346,142	4/1994	Consolacion et al.	D12/147
D. 367,025	2/1996	Faulk et al.	D12/141
D. 381,302	7/1997	Rohweder et al.	D12/141
D. 400,833	11/1998	Legge et al.	D12/147
D. 402,242	12/1998	Guspodin et al.	D12/147
4,982,774	1/1991	Evertz	152/209 R
5,407,005	4/1995	Consolacion et al.	152/209 A

OTHER PUBLICATIONS

Goodyear Eagle RS-A Tire, Goodyear Performance Tire Brochure No. 006400, Jan. 1998.

Summit Mega Plus Tire, 1997 Tread Design Guide, p. 73, Jan. 1997.

Pending Patent Application filed Dec. 16, 1998, Ser. No. 29/097,880, our reference DN1998202.

Primary Examiner—Robert M. Spear
Attorney, Agent, or Firm—T P Lewandowski

[57] CLAIM

The ornamental design for a tire tread, as shown and described.

DESCRIPTION

FIG. 1 is a perspective view of a tire tread showing our new design, it being understood that the pattern repeats uniformly throughout the circumference of the tread;

FIG. 2 is a front elevational view thereof;

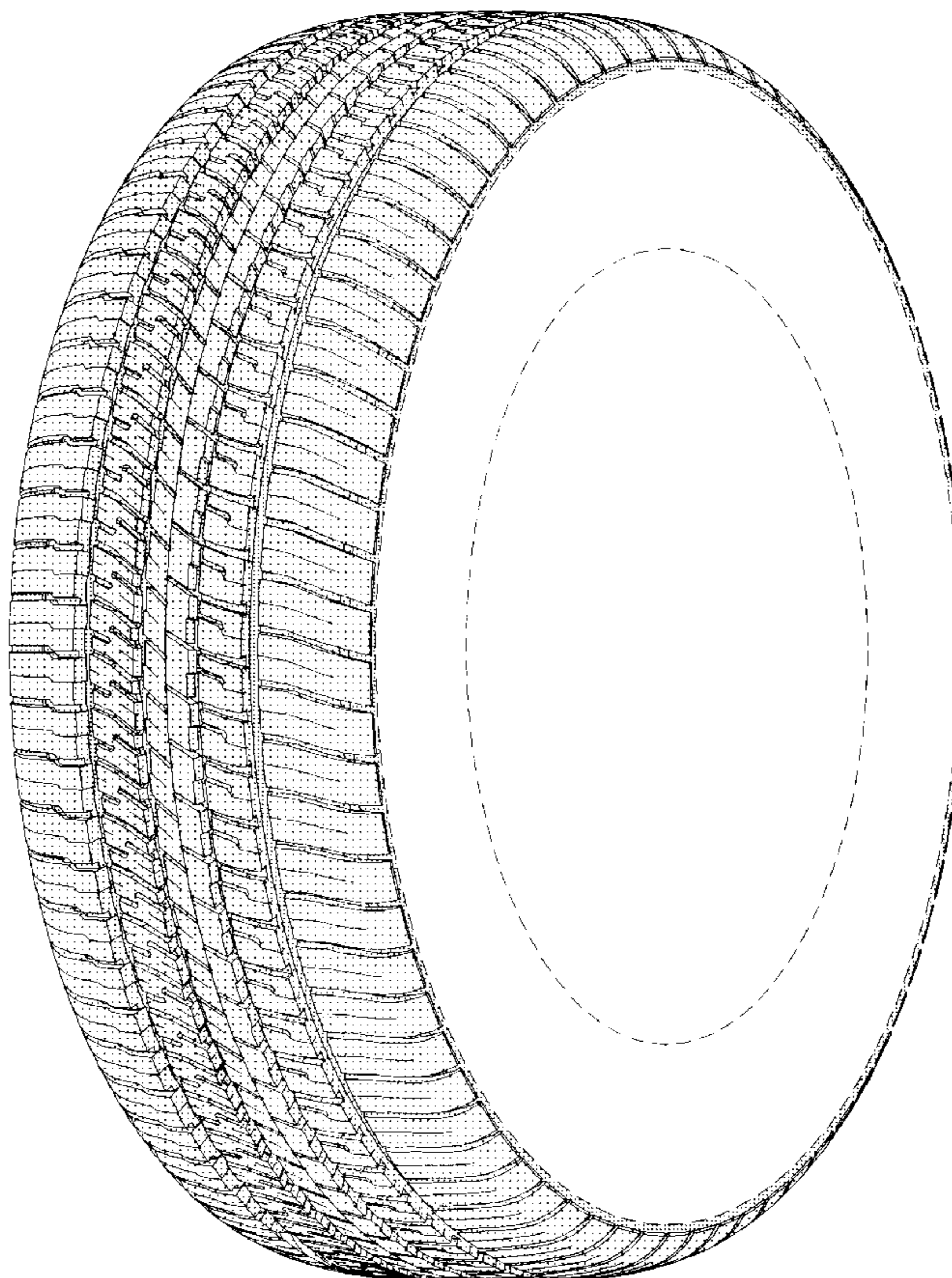
FIG. 3 is a side elevational view thereof;

FIG. 4 is a side elevational view of the opposite side thereof; and,

FIG. 5 is an enlarged fragmentary perspective view.

In the drawings, the broken lines defining the inner bead of the sidewall and the peripheral boundary between the tire tread and the sidewall are for illustrative purposes only and form no part of the claimed design.

1 Claim, 5 Drawing Sheets



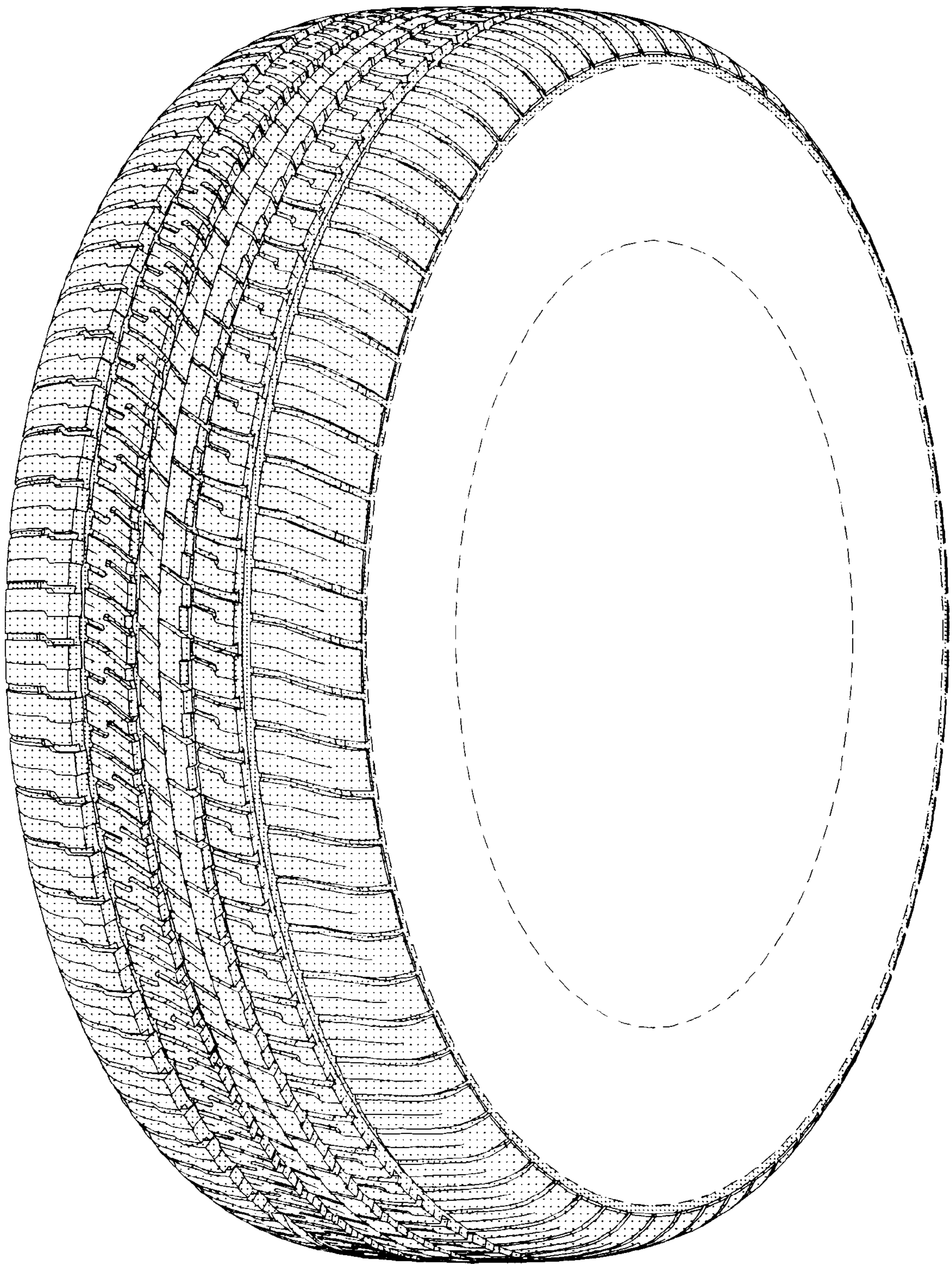


FIG. 1

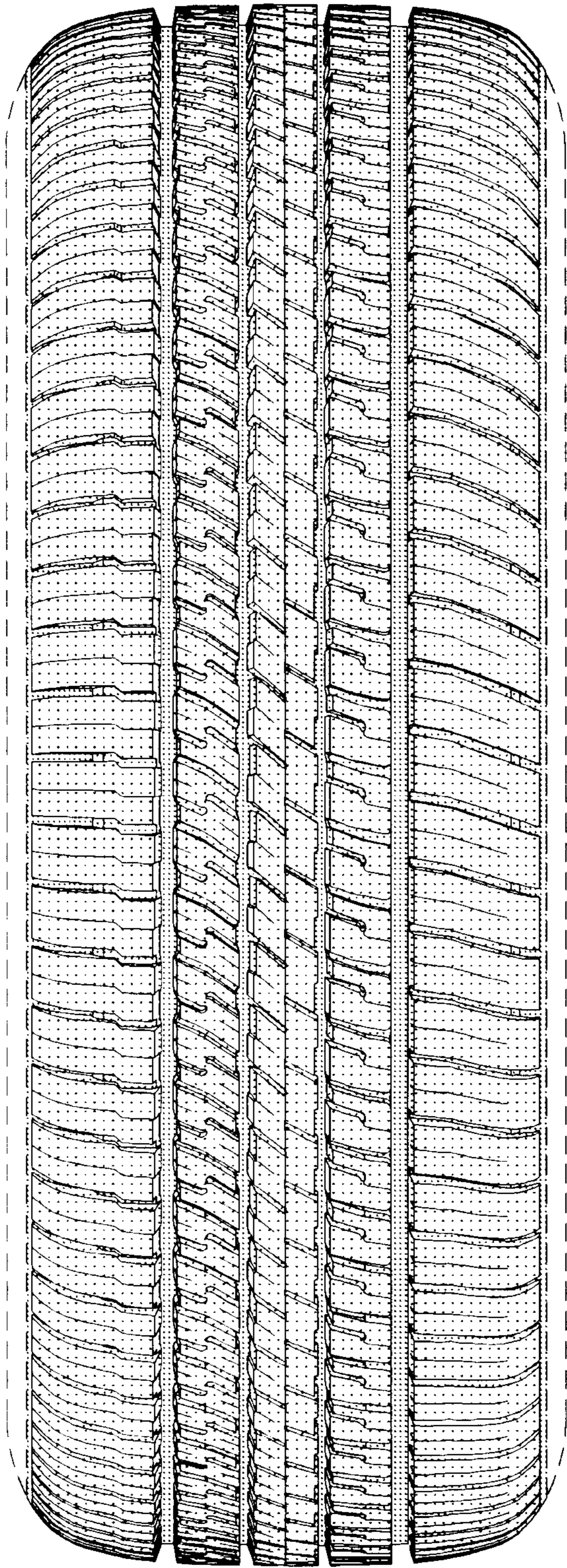


FIG. 2

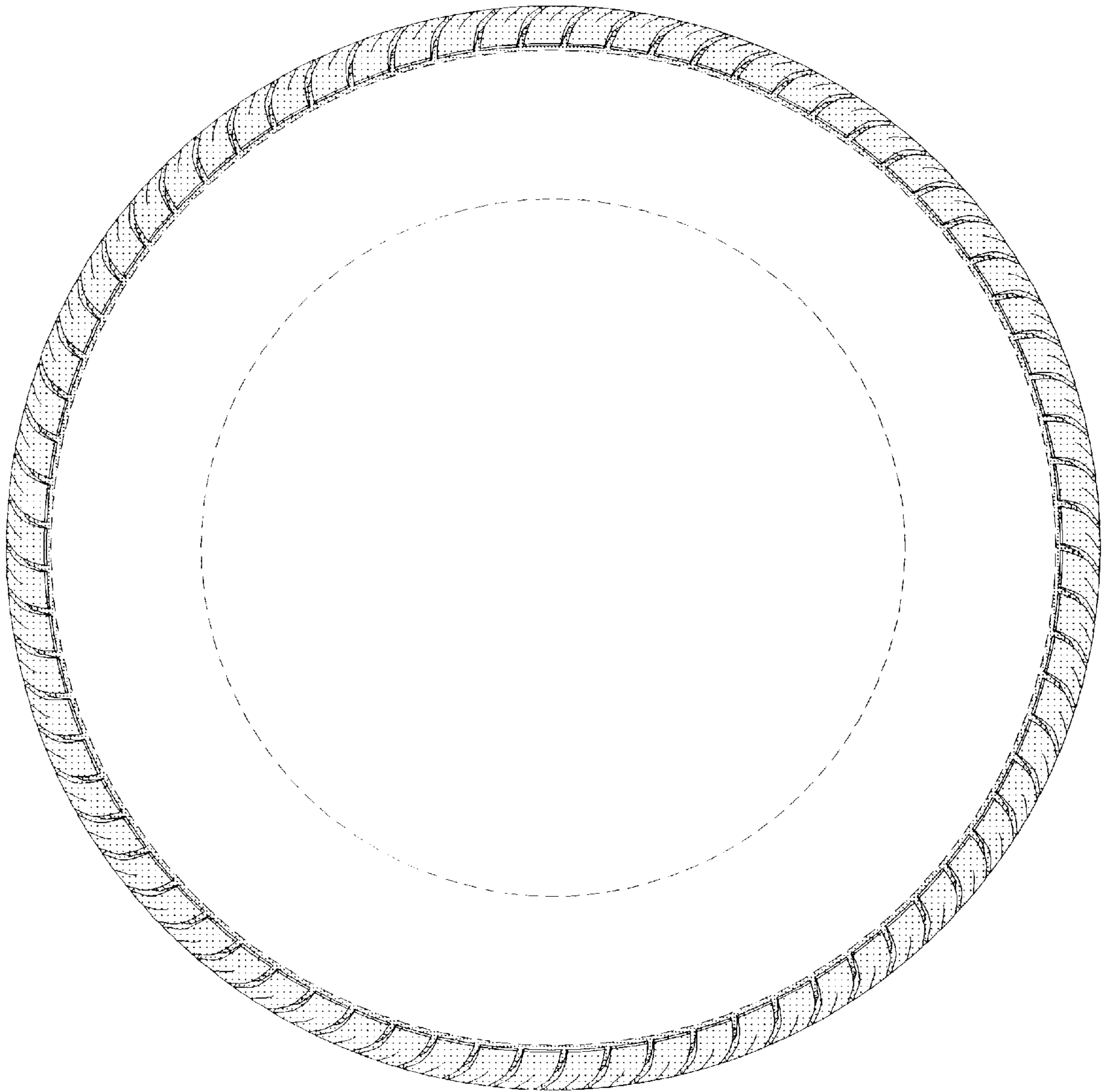


FIG. 3

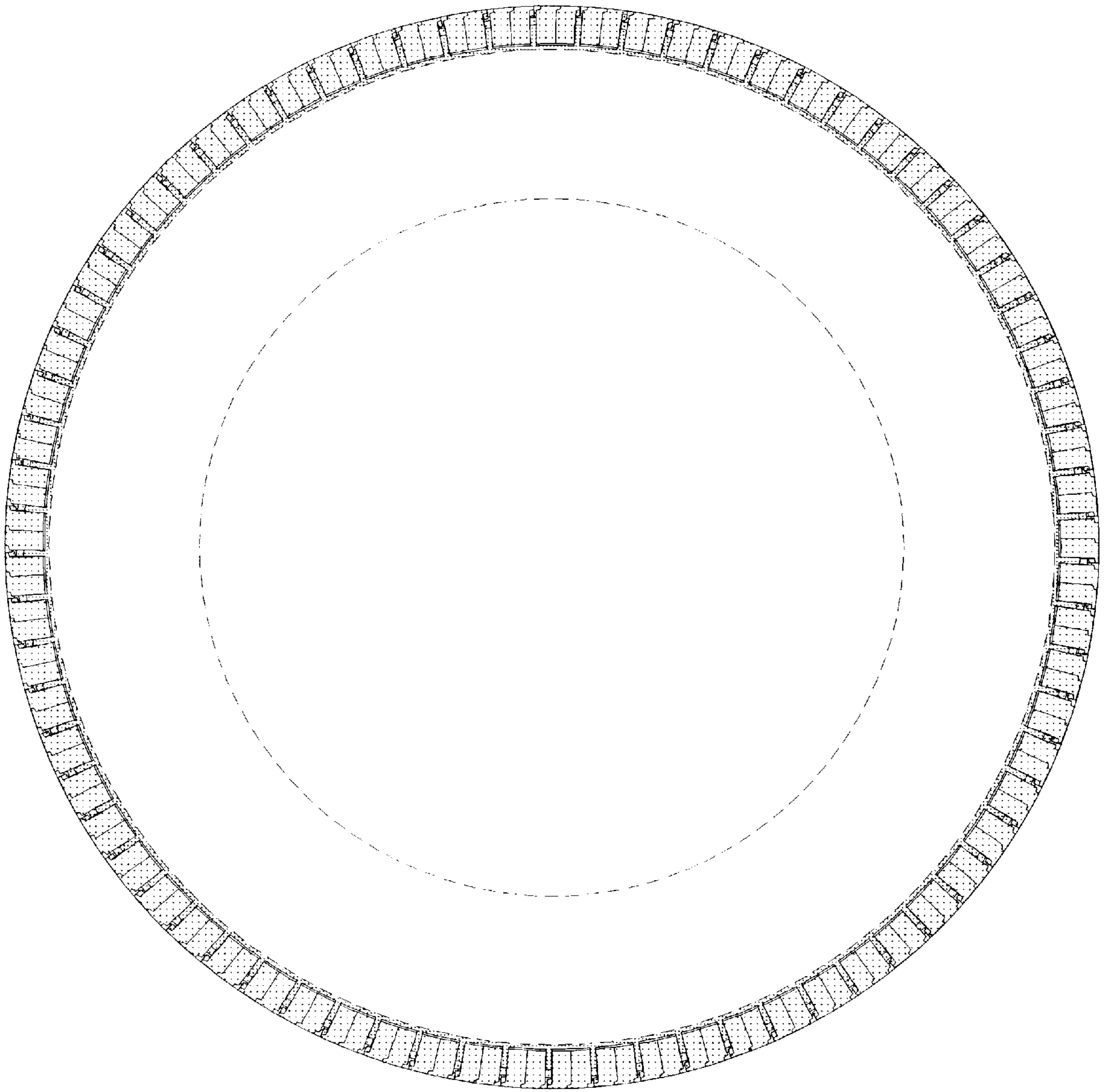


FIG. 4

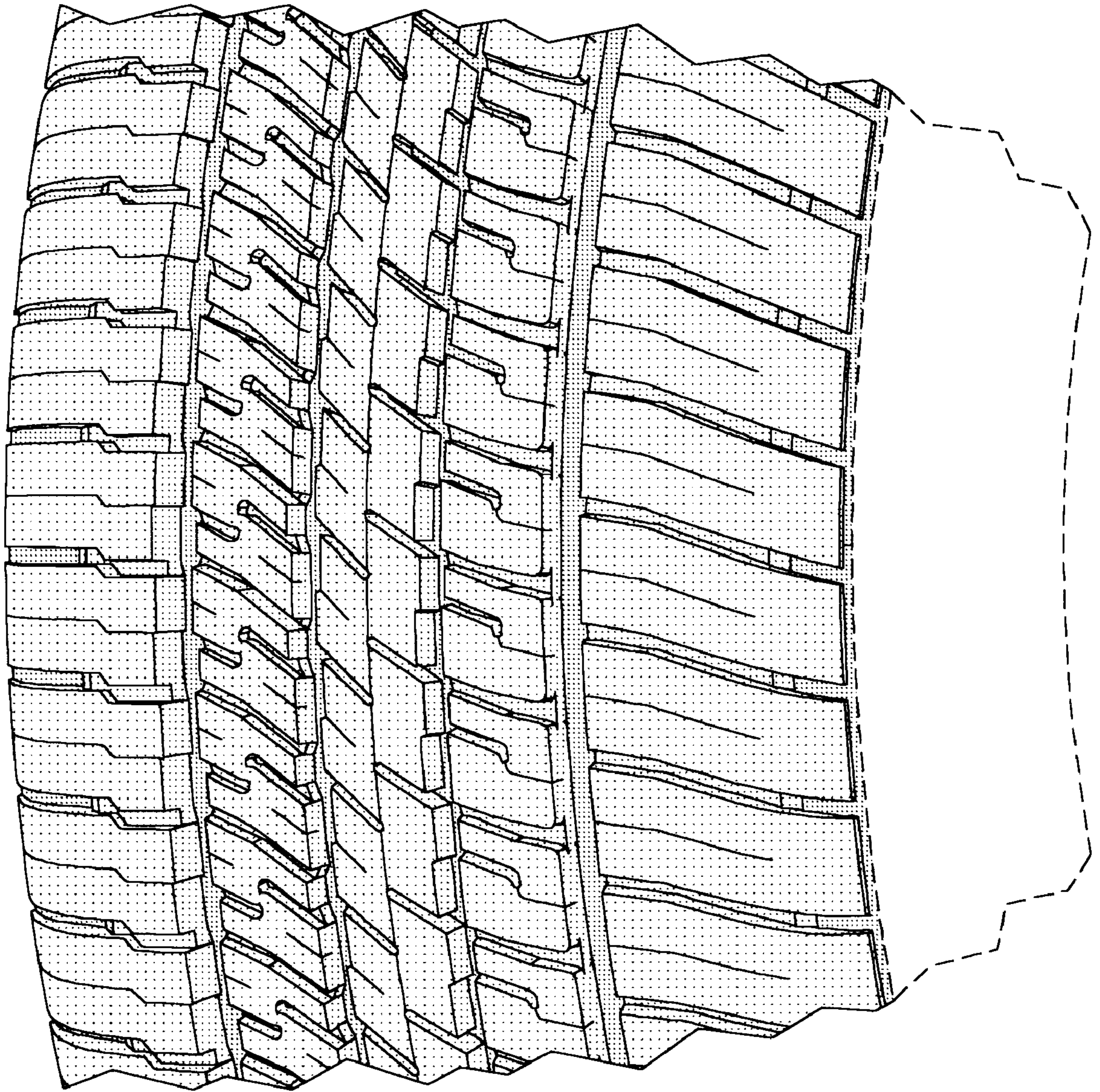


FIG. 5