



US00D418767S

United States Patent [19] Oakley

[11] **Patent Number: Des. 418,767**

[45] **Date of Patent: ** Jan. 11, 2000**

[54] **CORIOLIS FLOWMETER HOUSING**

4,738,143 4/1988 Cage et al. 73/861.355
5,301,557 4/1994 Cage et al. 73/861.355

[75] Inventor: **Nicholas Waddell Oakley**, San Francisco, Calif.

Primary Examiner—Antoine Duval Davis
Attorney, Agent, or Firm—Duft, Graziano & Forest, P.C.

[73] Assignee: **Micro Motion, Inc.**, Boulder, Colo.

[57] **CLAIM**

[**] Term: **14 Years**

The ornamental design for a Coriolis flowmeter housing, as shown and described.

[21] Appl. No.: **29/102,209**

[22] Filed: **Mar. 19, 1999**

DESCRIPTION

[51] **LOC (7) Cl.** **10-04**

FIG. 1 is a front perspective view;
FIG. 2 is a front view of FIG. 1, as well as a rear view of FIG. 1;
FIG. 3 is a top view of FIG. 1;
FIG. 4 is a bottom view of FIG. 1; and,
FIG. 5 is a right side view of FIG. 1, as well as a left side view of FIG. 1.

[52] **U.S. Cl.** **D10/96**

[58] **Field of Search** D10/96; 73/861,
73/861.355, 861.356, 861.357, 861.354,
861.56

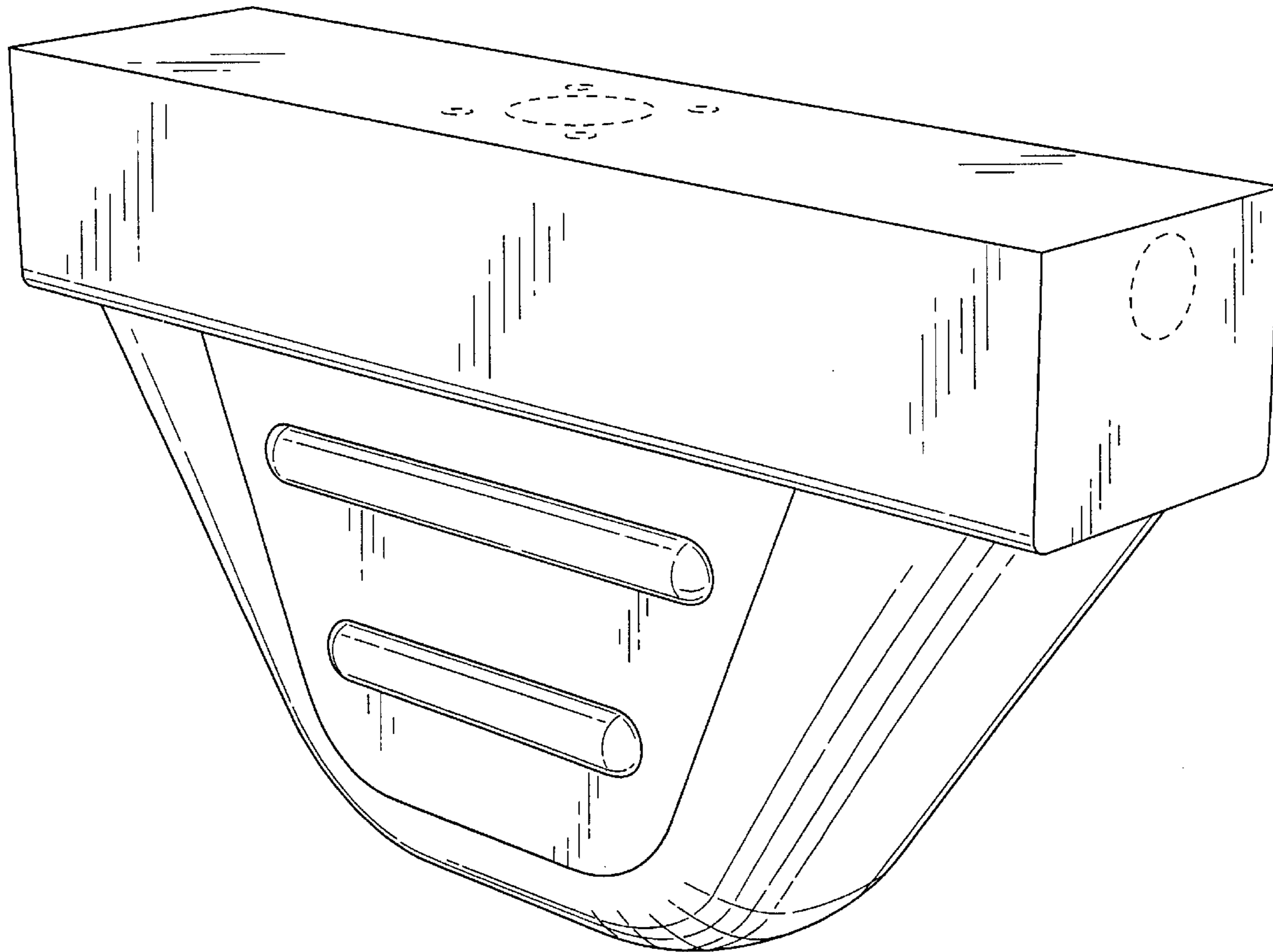
The broken line disclosure is for illustrative purposes only and forms no part of the claimed design.

[56] **References Cited**

U.S. PATENT DOCUMENTS

D. 192,699 5/1962 Charles D10/96
D. 367,433 2/1996 Helwig D10/96

1 Claim, 3 Drawing Sheets



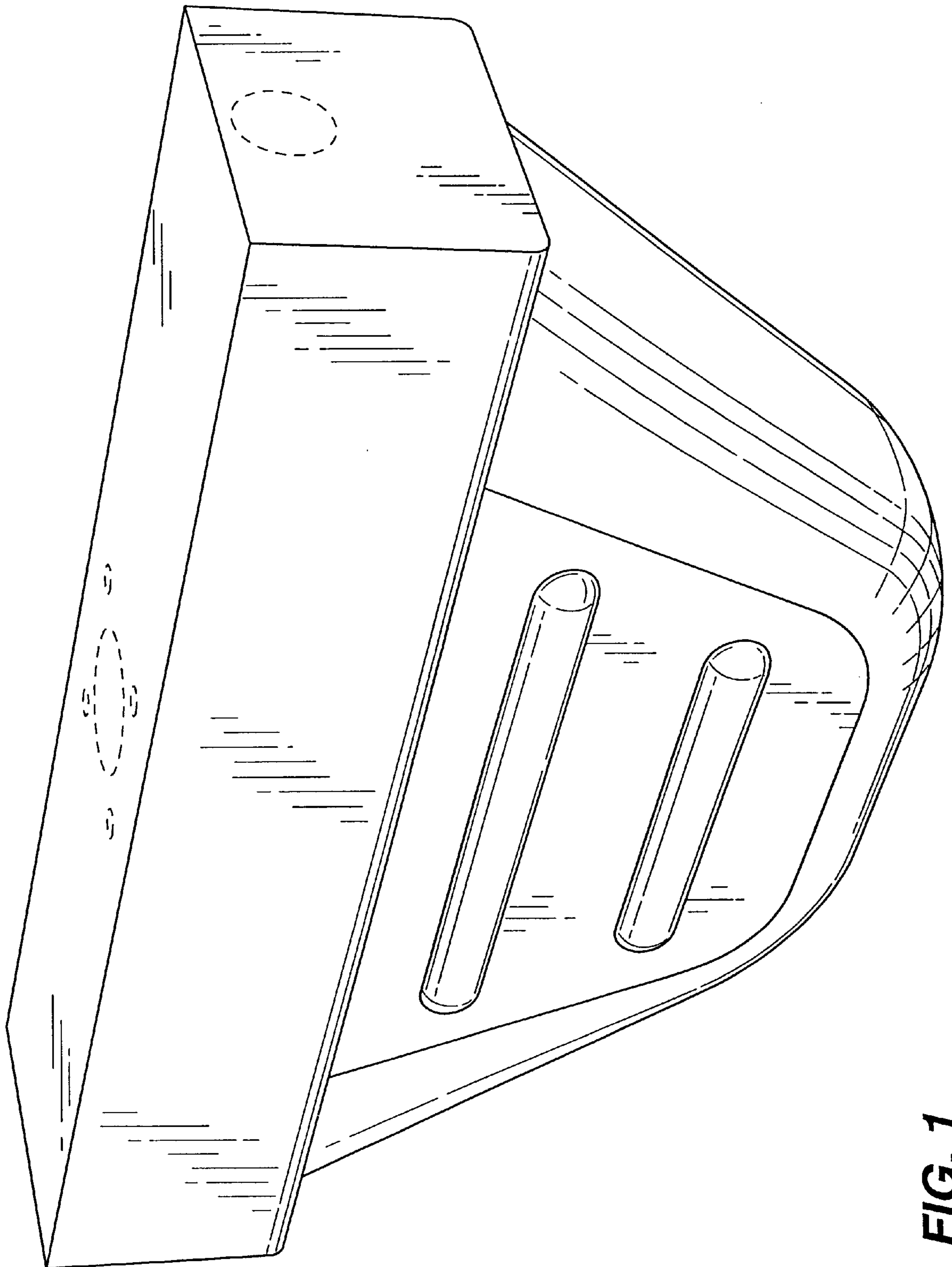


FIG. 1

FIG. 2

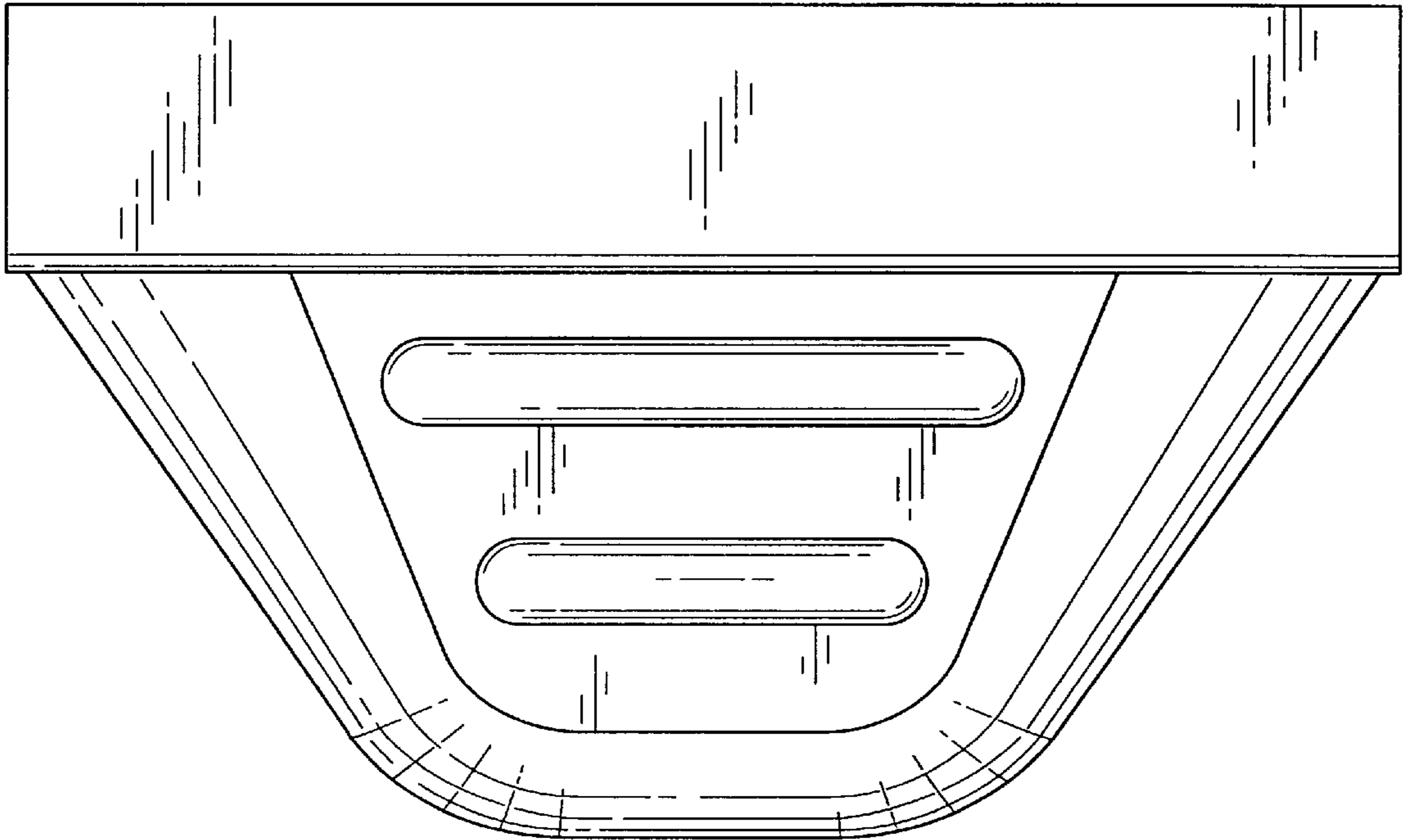


FIG. 3

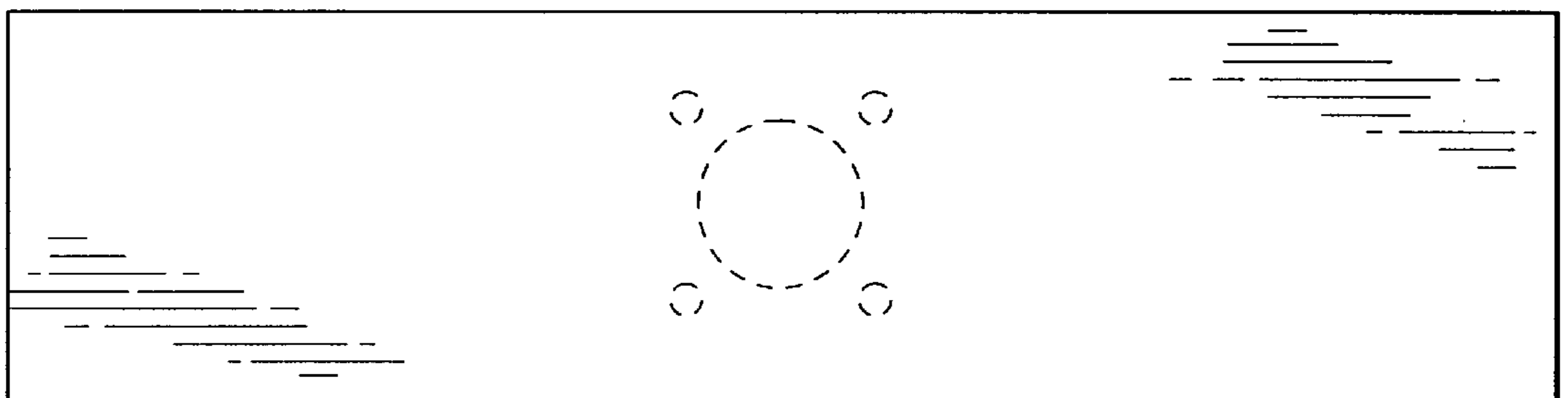


FIG. 4

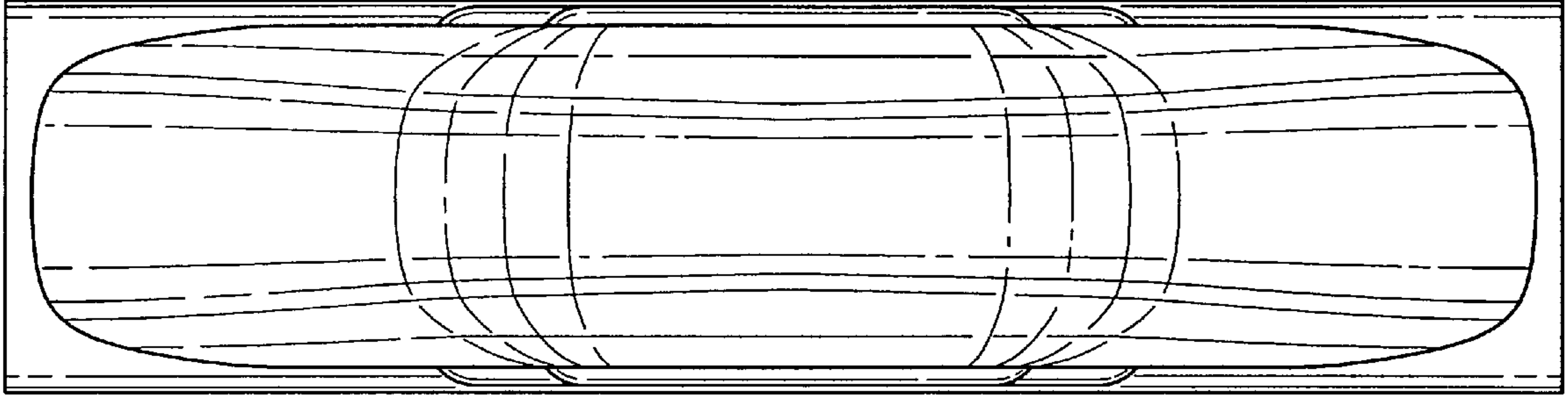


FIG. 5

