



US00D418766S

United States Patent [19]
Cappiello

[11] **Patent Number: Des. 418,766**

[45] **Date of Patent: ** Jan. 11, 2000**

[54] **BATH SCALE DESIGN WITH HANDLE**

[75] Inventor: **Mark Cappiello**, New York, N.Y.

[73] Assignee: **Measurement Specialties Inc.**,
Fairfield, N.J.

[**] Term: **14 Years**

[21] Appl. No.: **29/100,386**

[22] Filed: **Feb. 10, 1999**

[51] **LOC (7) Cl.** **10-04**

[52] **U.S. Cl.** **D10/92**

[58] **Field of Search** **D10/92; 177/238-245**

[56] **References Cited**

U.S. PATENT DOCUMENTS

D. 409,107 5/1999 Andrieu D10/92

Primary Examiner—Antoine Duval Davis
Attorney, Agent, or Firm—Arthur L. Plevy

[57] **CLAIM**

The ornamental design for a bath scale design with handle,
as shown.

DESCRIPTION

FIG. 1 is a perspective plan view of the bath scale design
with handle;

FIG. 2 is a front plan view;

FIG. 3 is a top view;

FIG. 4 is a right/left side view;

FIG. 5 is a rear plan view; and,

FIG. 6 is a bottom view.

1 Claim, 3 Drawing Sheets

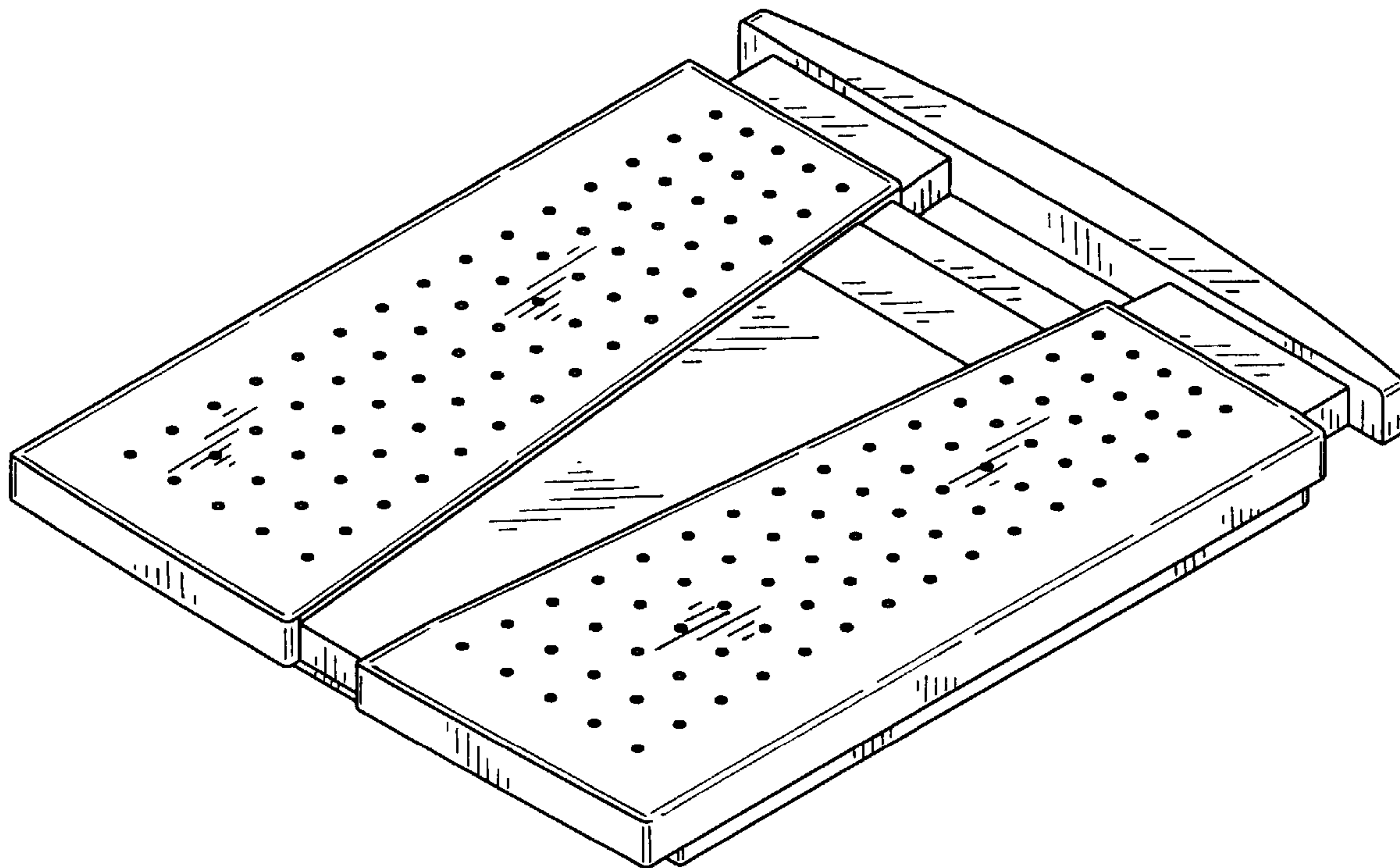


FIG. 1

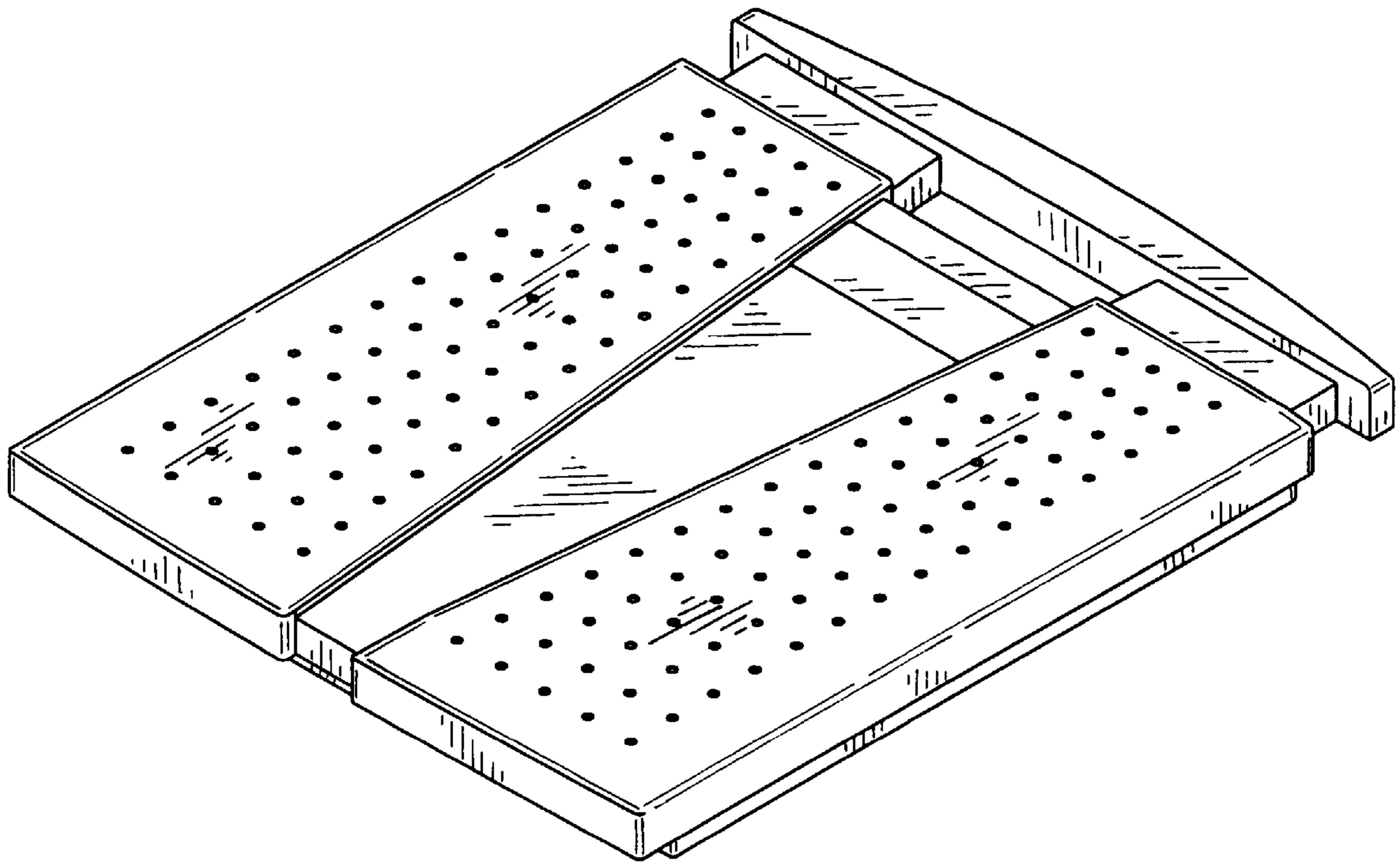


FIG. 2

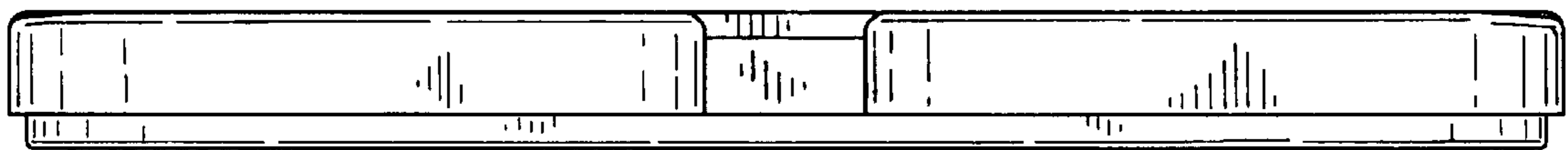


FIG. 3

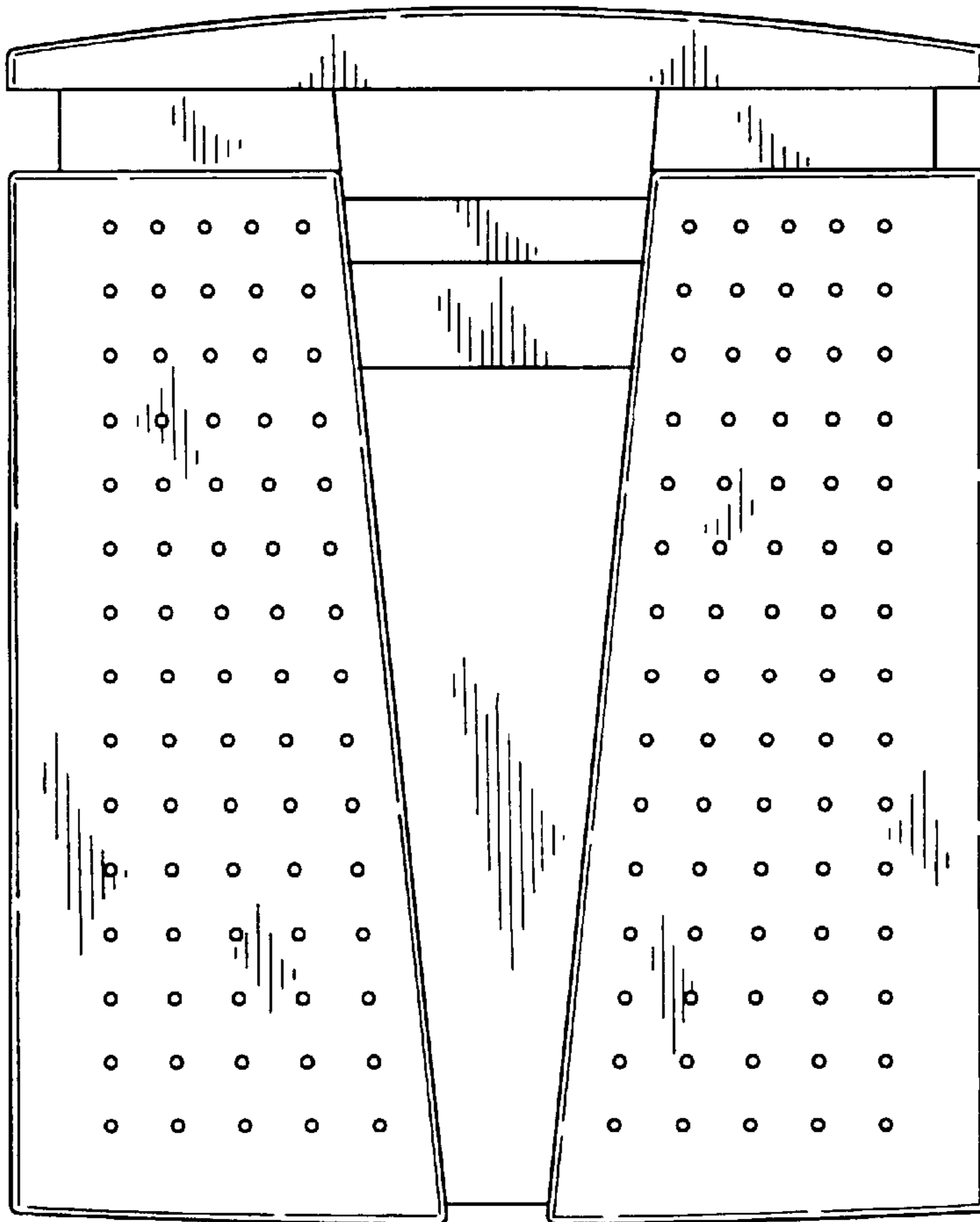


FIG. 4

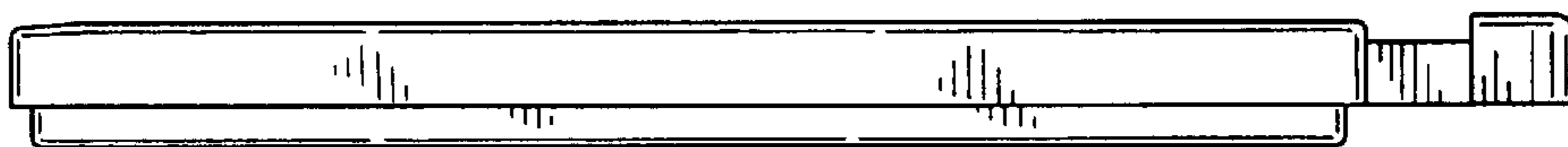


FIG. 5

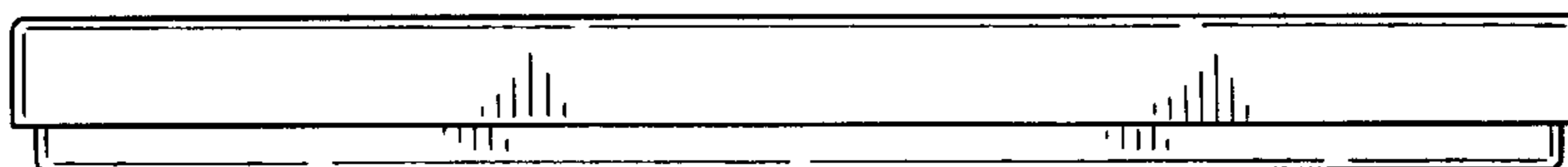


FIG. 6

