



US00D418765S

United States Patent [19]

Martone et al.

[11] Patent Number: **Des. 418,765**

[45] Date of Patent: **** Jan. 11, 2000**

[54] **OPEN REEL LONG TAPE HOLDER**

D. 410,859 6/1999 Hioki D10/72

[75] Inventors: **Joseph R. Martone**, Bristol; **Tim Repp**, Pleasant Valley, both of Conn.

Primary Examiner—Antoine Duval Davis
Attorney, Agent, or Firm—Pillsbury Madison & Sutro LLP

[73] Assignee: **The Stanley Works**, New Britain, Conn.

[57] **CLAIM**

[**] Term: **14 Years**

The ornamental design for an open reel long tape holder, as shown and described.

[21] Appl. No.: **29/092,238**

DESCRIPTION

[22] Filed: **Aug. 14, 1998**

FIG. 1 is an perspective view of a open reel long tape holder showing our new design, looking downwardly at the front right side and bottom thereof;

[51] **LOC (7) Cl.** **10-04**

[52] **U.S. Cl.** **D10/72**

FIG. 2 is a front elevational view thereof;

[58] **Field of Search** D10/72

FIG. 3 is a top plan view thereof;

FIG. 4 is a rear elevational view thereof;

FIG. 5 is a bottom plan view thereof;

FIG. 6 is a left side elevational view thereof; and,

FIG. 7 is a right side elevational view thereof.

[56] **References Cited**

U.S. PATENT DOCUMENTS

D. 377,911 2/1997 Ogasawara D10/72

1 Claim, 4 Drawing Sheets

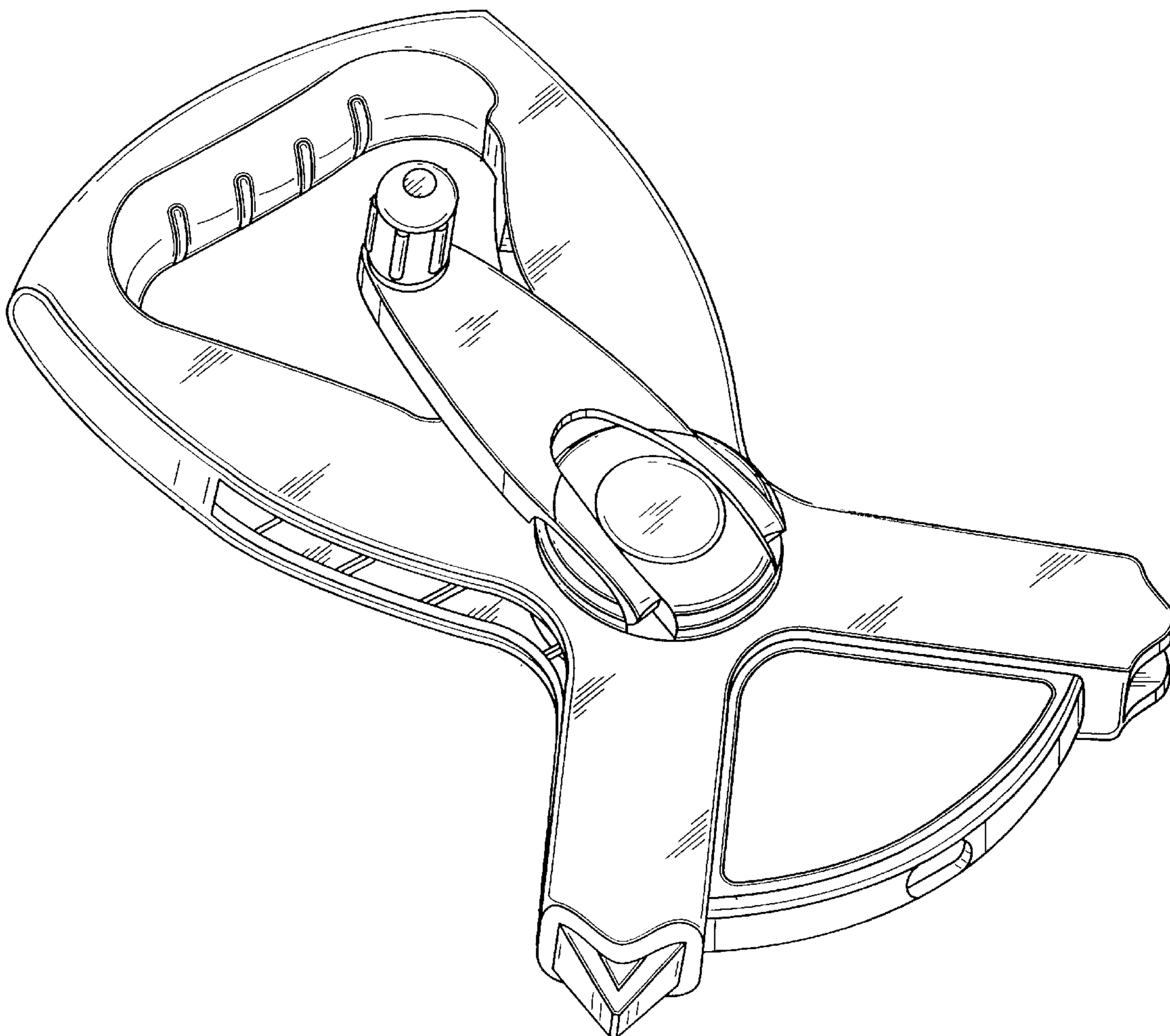


FIG. 1

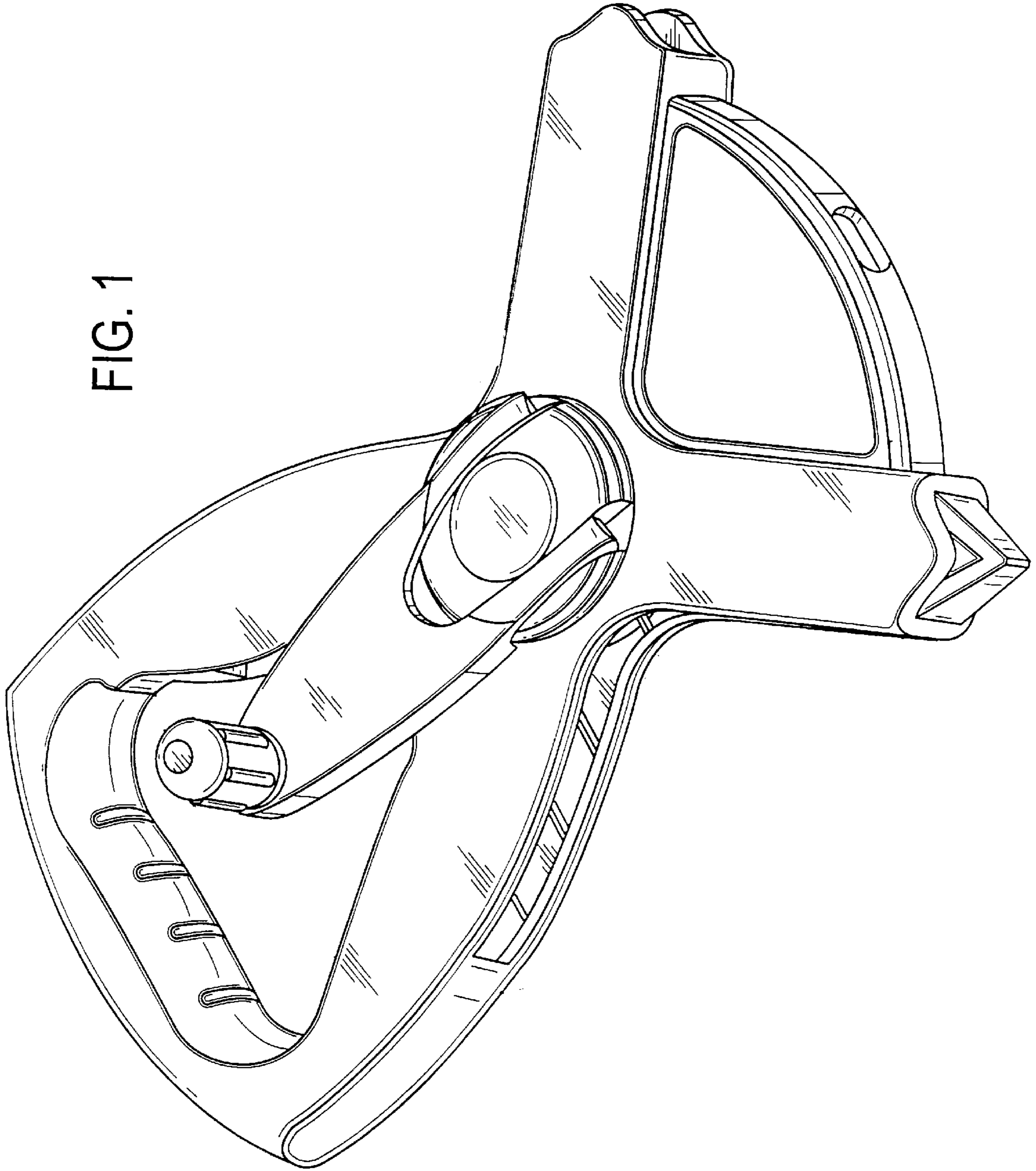


FIG. 2

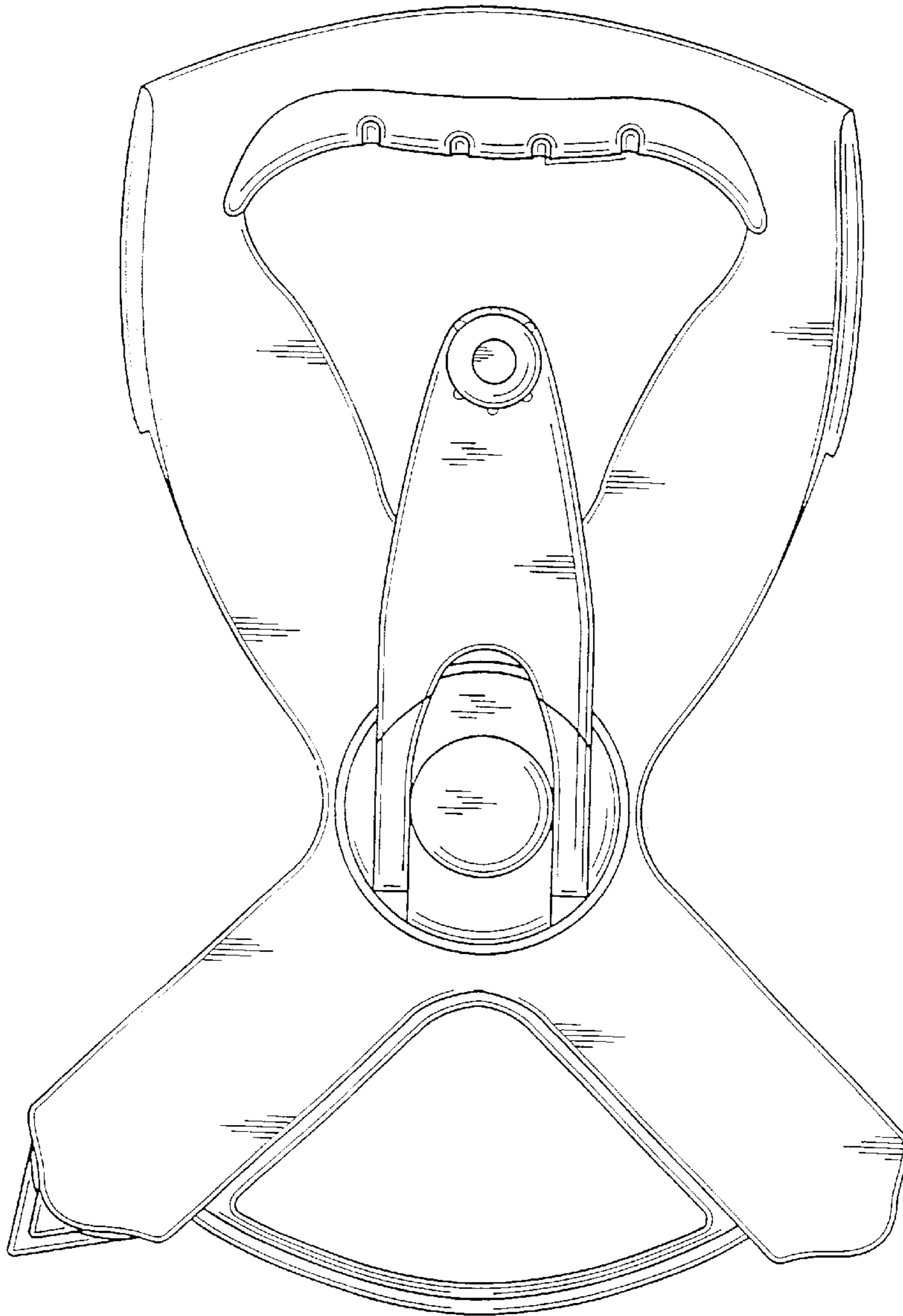


FIG. 3

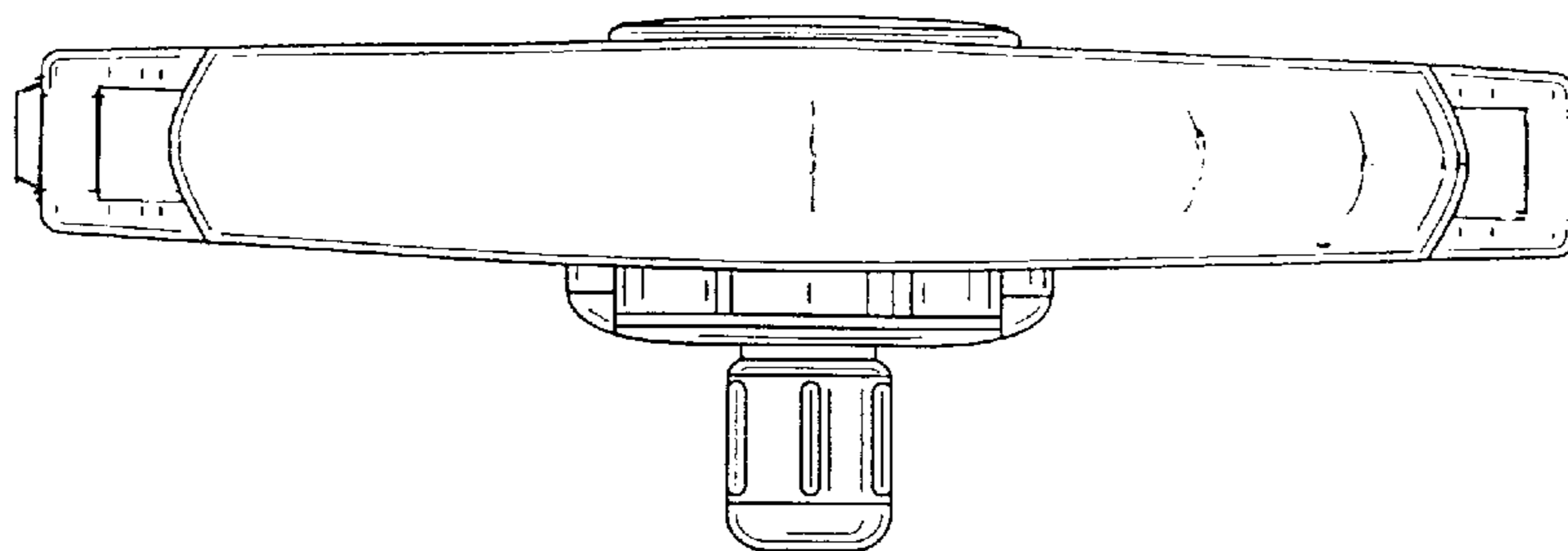


FIG. 4

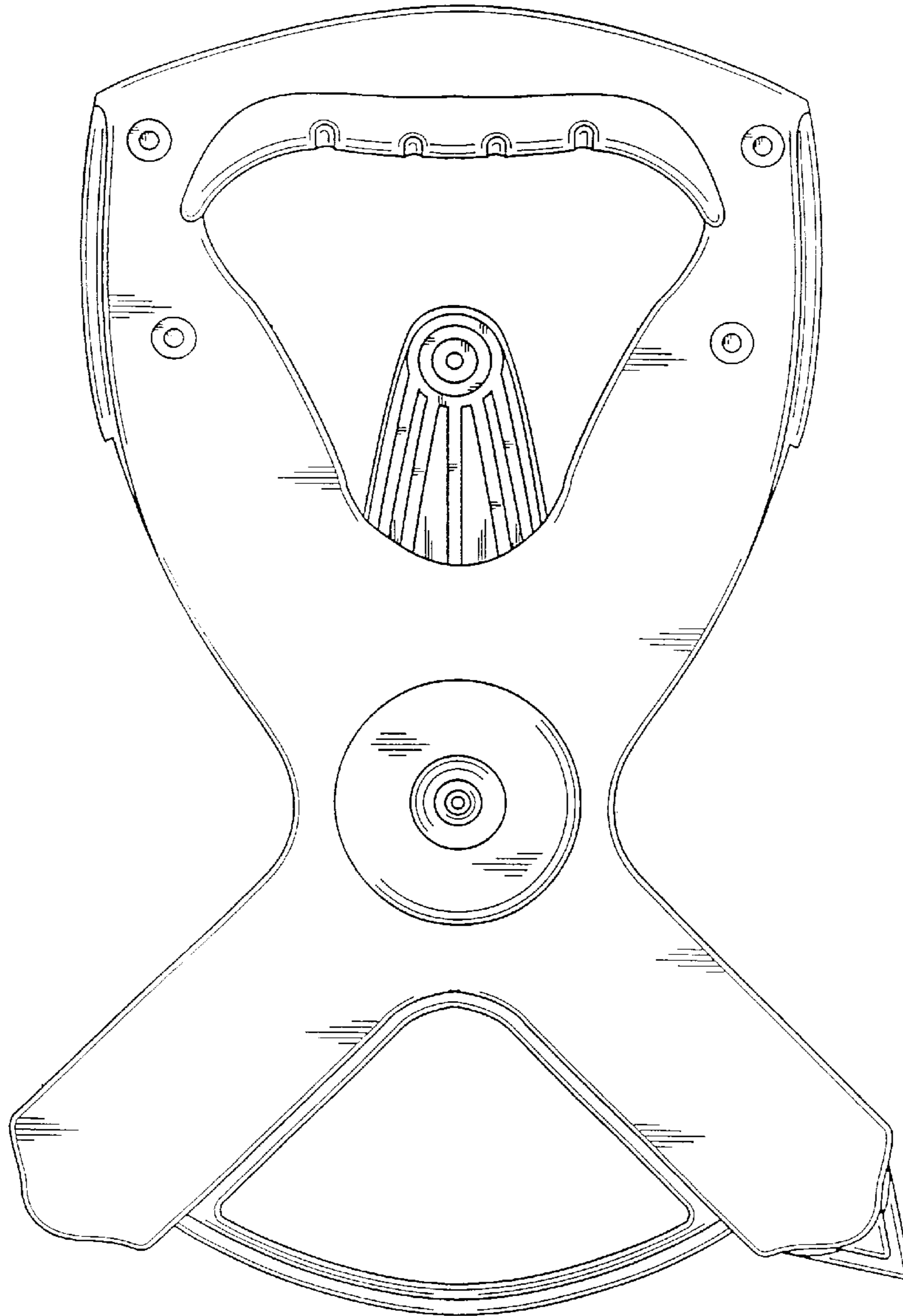


FIG. 5

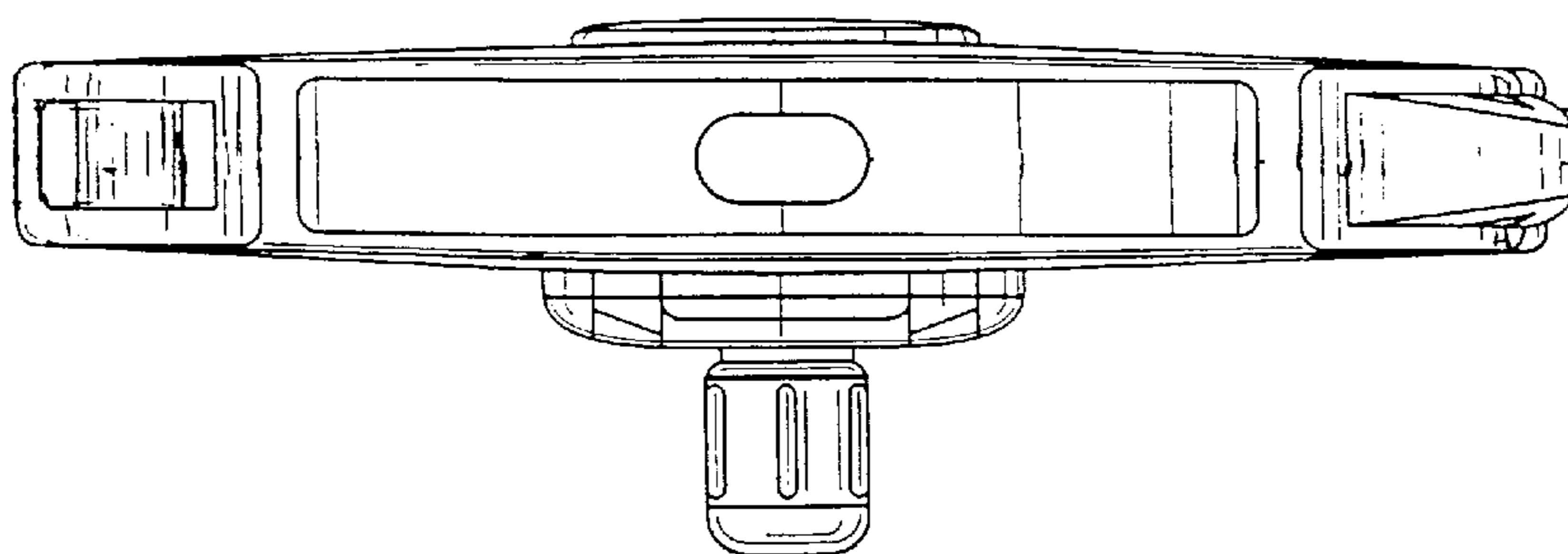


FIG. 6

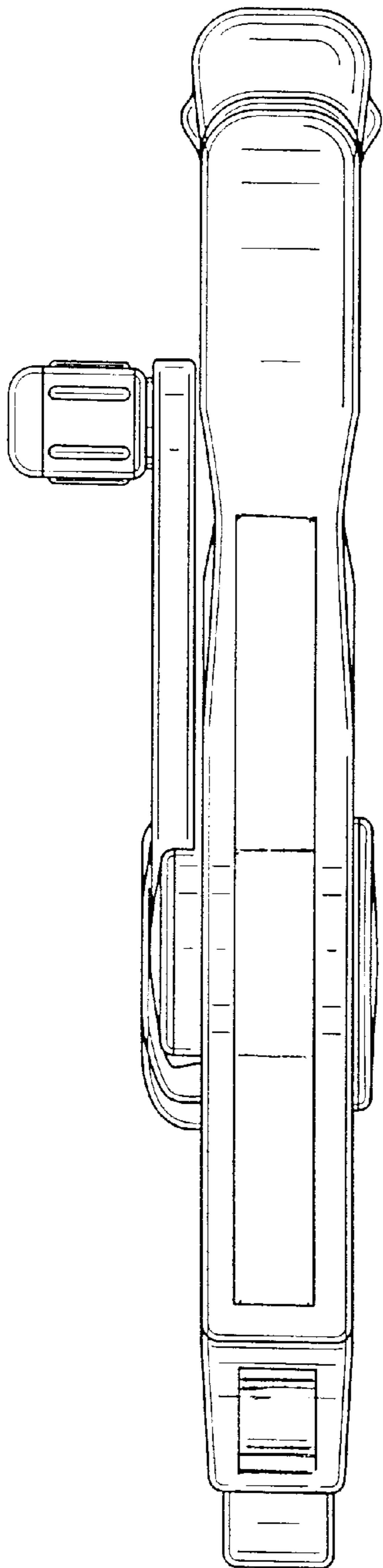


FIG. 7

