



US00D418764S

# United States Patent [19]

[11] **Patent Number: Des. 418,764**

**Hojas**

[45] **Date of Patent: \*\* Jan. 11, 2000**

[54] **ELECTRONIC VEHICLE ODOMETER  
READING DEVICE**

*Primary Examiner*—Antoine Duval Davis

[76] Inventor: **Harold H Hojas**, 6202 SW. 107 Ave.,  
Miami, Fla. 33173

[57] **CLAIM**

The ornamental design for an electronic vehicle odometer reading device, as shown.

[\*\*] Term: **14 Years**

**DESCRIPTION**

[21] Appl. No.: **29/091,135**

FIG. 1 is a top plan view of the electronic vehicle odometer reading device of the present invention;

[22] Filed: **Jul. 23, 1998**

FIG. 2 is a bottom plan view of the electronic vehicle odometer reading device of FIG. 1;

[51] **LOC (7) Cl. .... 10-04**

FIG. 3 is a right side elevational view of the electronic vehicle odometer reading device of FIG. 1;

[52] **U.S. Cl. .... D10/70**

FIG. 4 is a left side elevational view of the electronic vehicle odometer reading device of FIG. 1;

[58] **Field of Search** ..... D10/70; 377/24.1,  
377/20; 365/228; 701/115, 35; 702/165;  
340/438, 441, 461, 462, 825.15

FIG. 5 is a front elevational view of the electronic vehicle odometer reading device of FIG. 1; and,

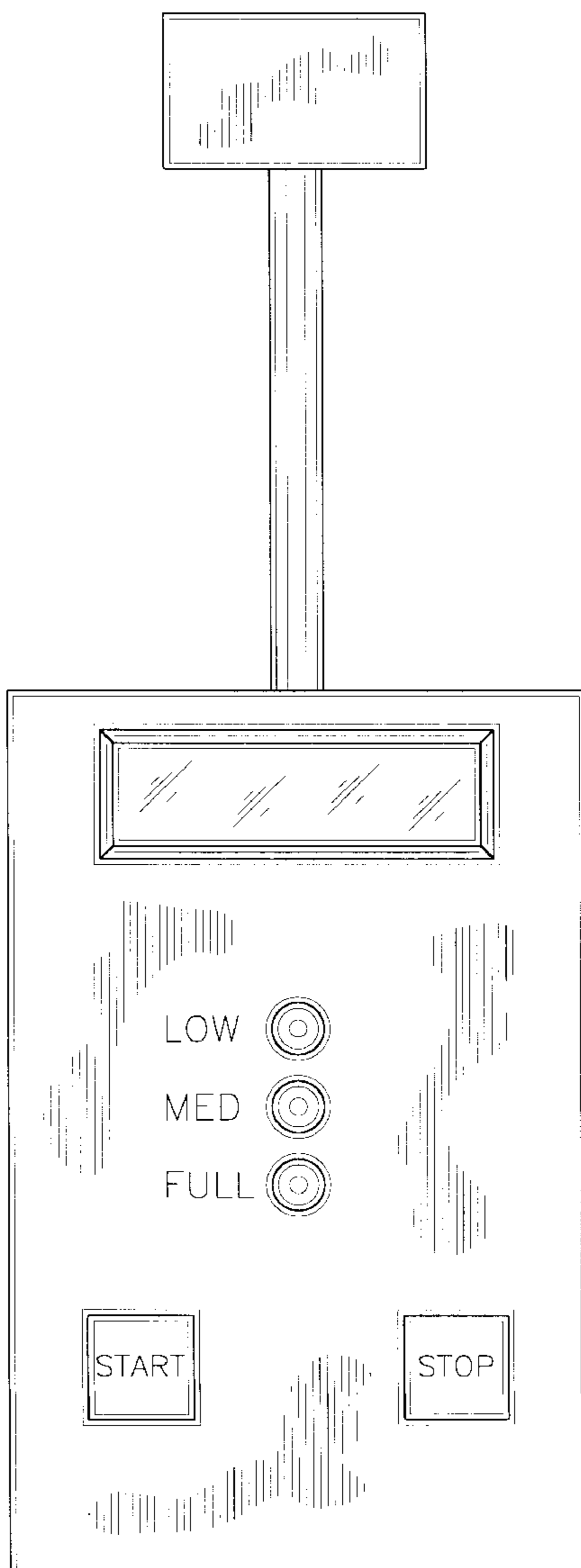
[56] **References Cited**

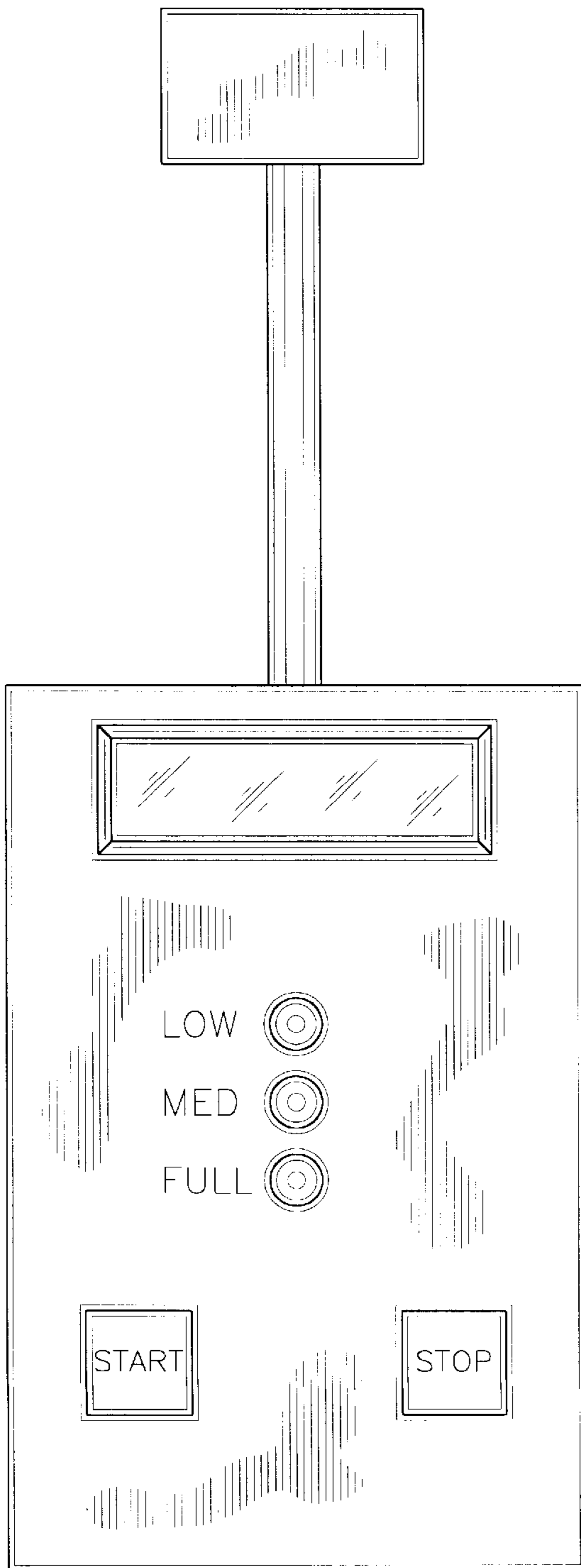
FIG. 6 is a back elevational view of the electronic vehicle odometer reading device of FIG. 1.

**U.S. PATENT DOCUMENTS**

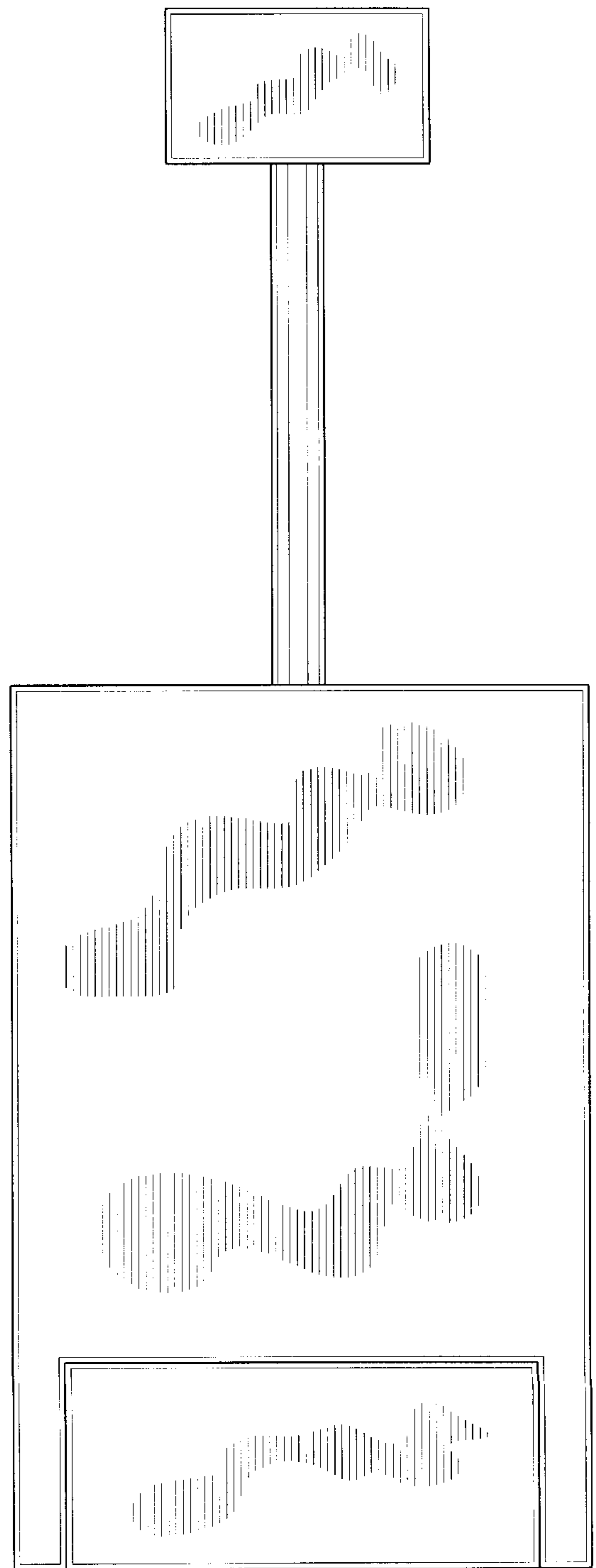
5,841,345 11/1998 Kestenberg ..... 340/461 X

**1 Claim, 3 Drawing Sheets**

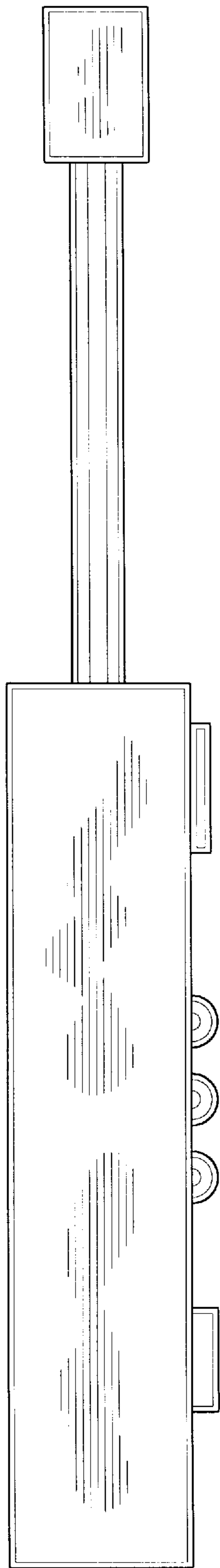




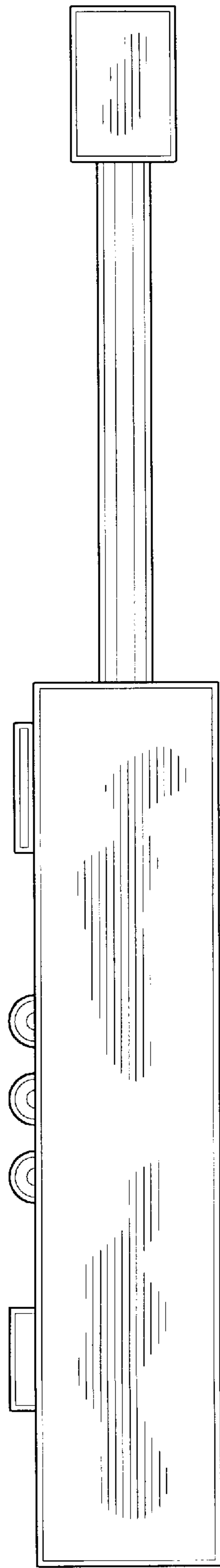
*Fig. 1*



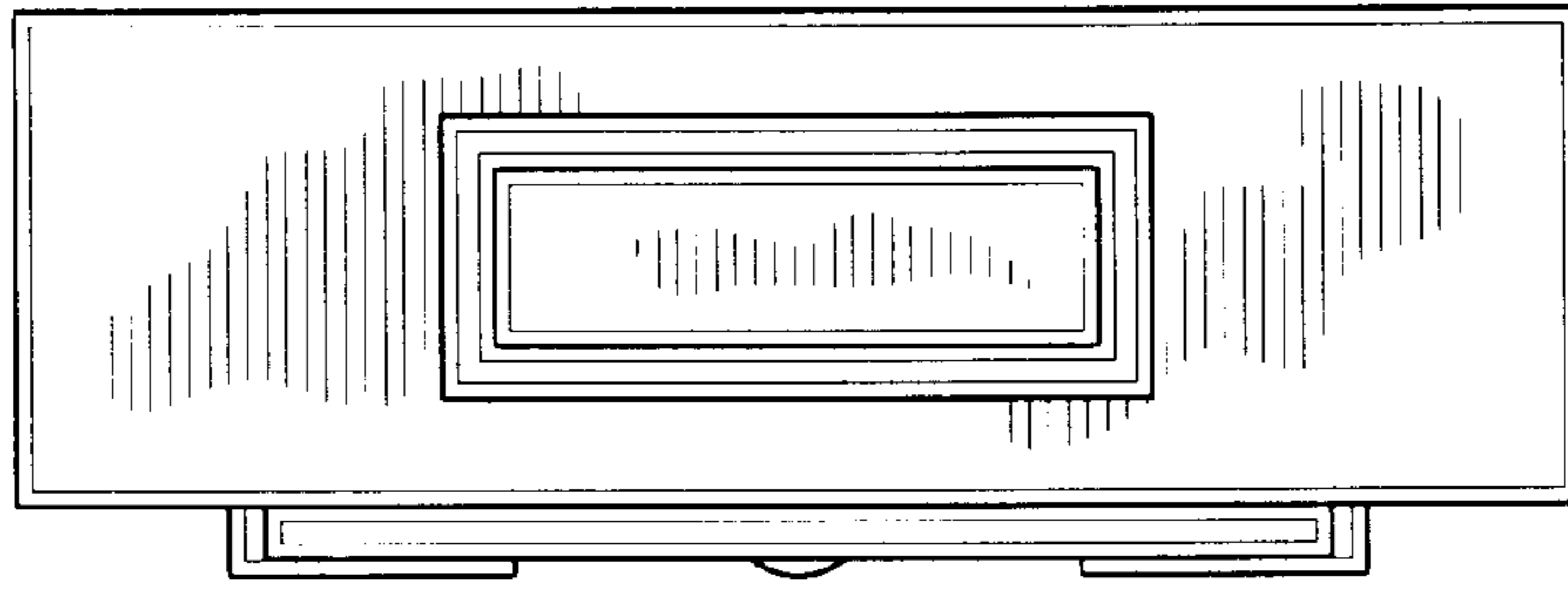
*Fig. 2*



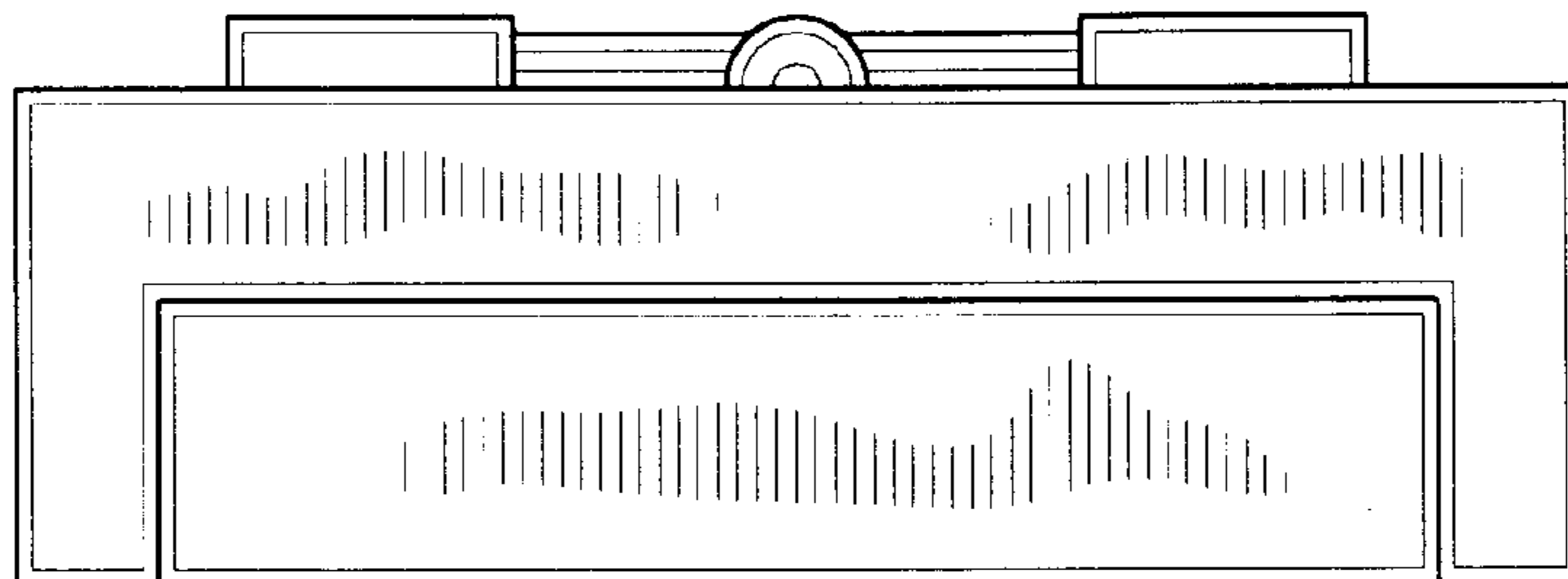
*Fig. 3*



*Fig. 4*



*Fig. 5*



*Fig. 6*