



US00D418763S

United States Patent [19]
Krantz

[11] **Patent Number: Des. 418,763**
[45] **Date of Patent: ** Jan. 11, 2000**

[54] **LASER ALIGNMENT TOOL**

PLS^{5®} Laser Alignment Tool, on sale before Aug. 13, 1998.

[75] Inventor: **Norman L. Krantz**, San Jose, Calif.

Primary Examiner—Antoine Duval Davis
Attorney, Agent, or Firm—SAIDMAN DesignLaw Group

[73] Assignee: **Zircon Corporation**, Campbell, Calif.

[**] Term: **14 Years**

[57] **CLAIM**

[21] Appl. No.: **29/092,148**

The ornamental design for a laser alignment tool, as shown and described.

[22] Filed: **Aug. 13, 1998**

[51] **LOC (7) Cl.** **10-04**

[52] **U.S. Cl.** **D10/62**

[58] **Field of Search** D10/69; 33/291,
33/295, DIG. 21; 356/138, 249, 250; 372/9-30

DESCRIPTION

[56] **References Cited**

U.S. PATENT DOCUMENTS

- D. 348,227 6/1994 Nielsen et al. D10/69
- 5,400,514 3/1995 Imbrie et al. 33/DIG. 21
- 5,907,907 6/1999 Ohtomo et al. 33/DIG. 21

FIG. 1 is a top view of a laser alignment tool showing my new design;

FIG. 2 is a left side view thereof;

FIG. 3 is a front view thereof;

FIG. 4 is a right side view thereof;

FIG. 5 is a rear view thereof; and,

FIG. 6 is a bottom view thereof.

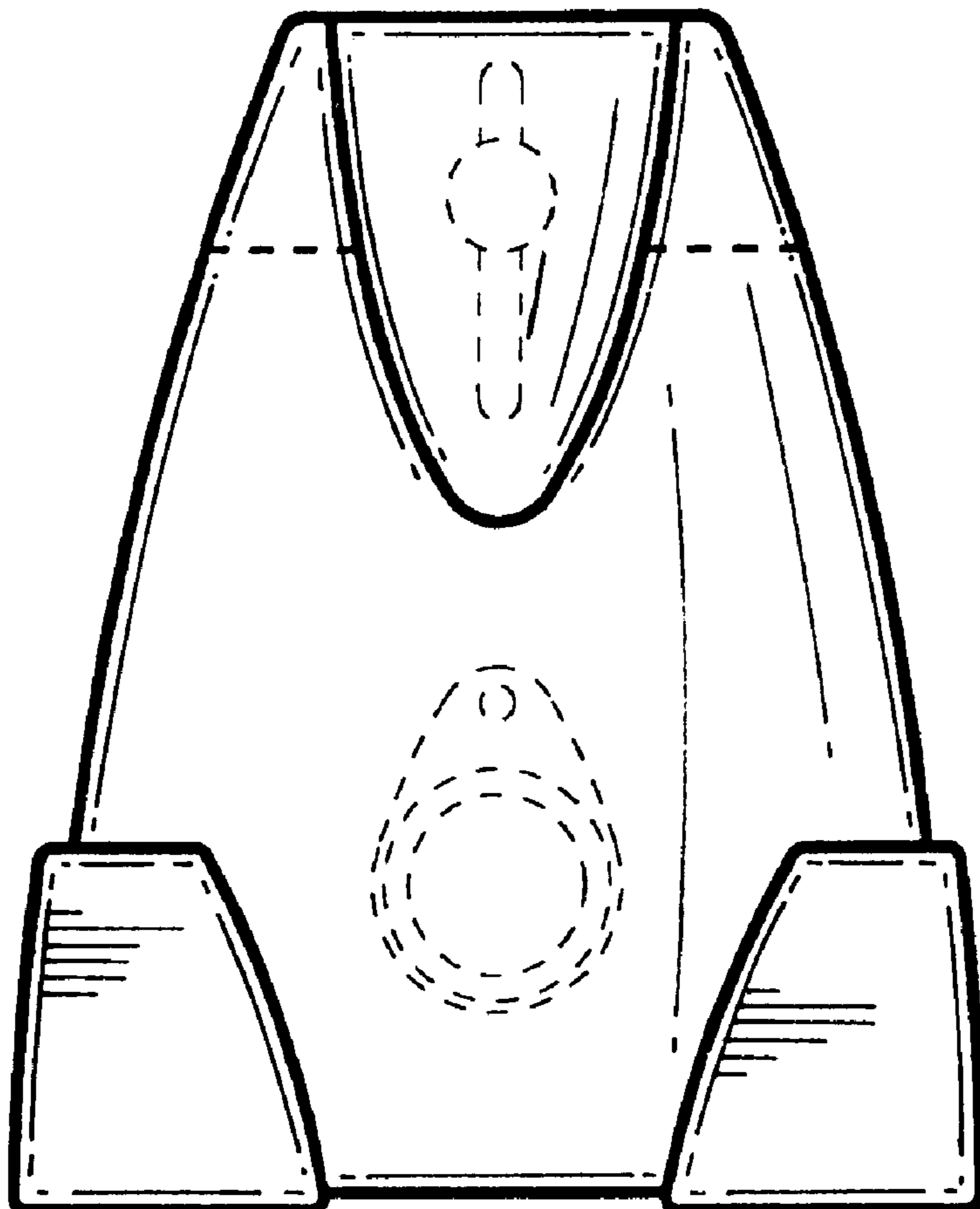
OTHER PUBLICATIONS

SL-24 Laser Square, L.P. Industries, on sale before Aug. 13, 1998.

The broken lines shown in FIGS. 1-5 are environmental only and form no part of the claimed design.

LeveLite™ SL, LeveLite Technology Inc., on sale before Aug. 13, 1998.

1 Claim, 2 Drawing Sheets



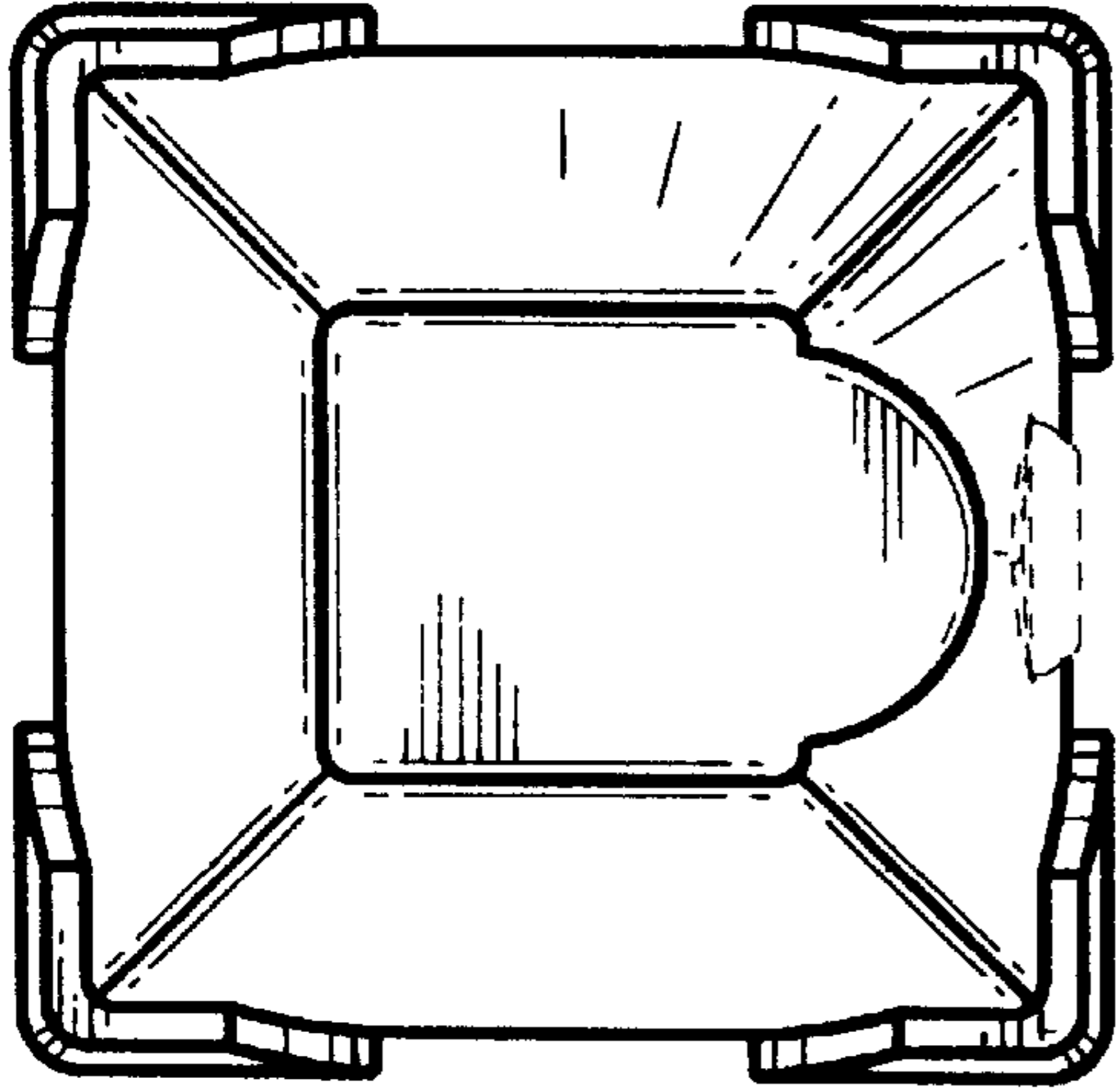


FIG. 1

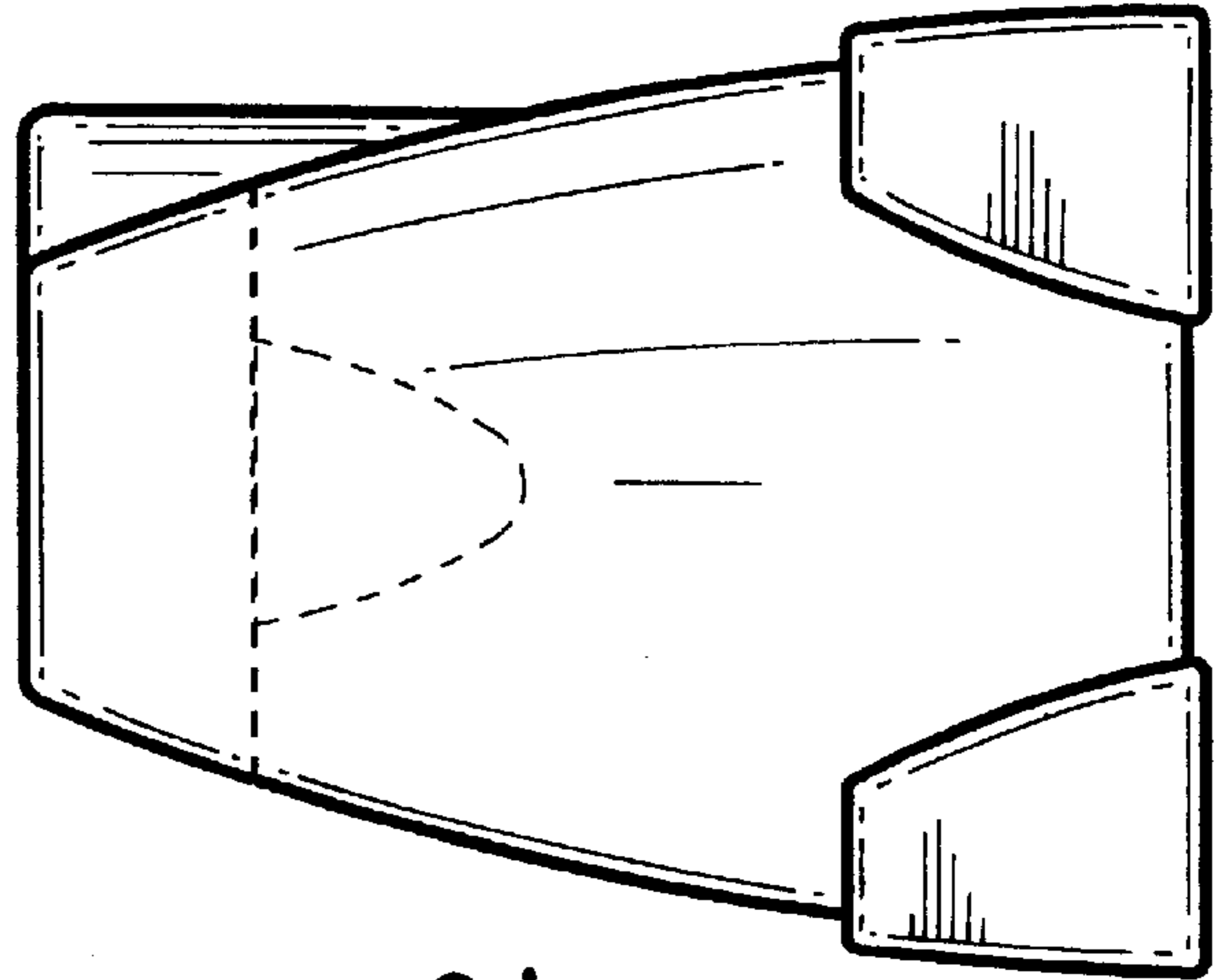


FIG. 2

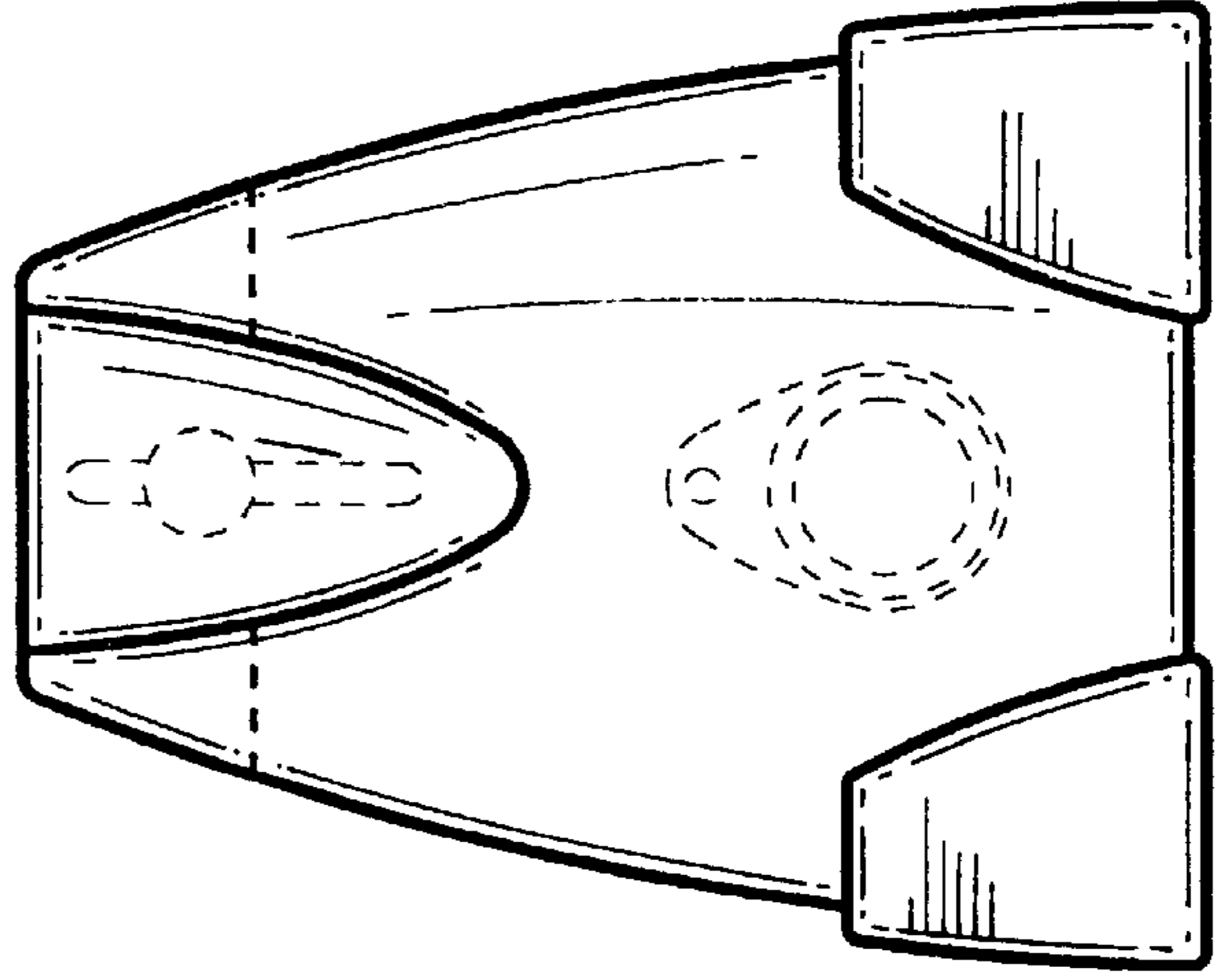


FIG. 3

FIG. 5

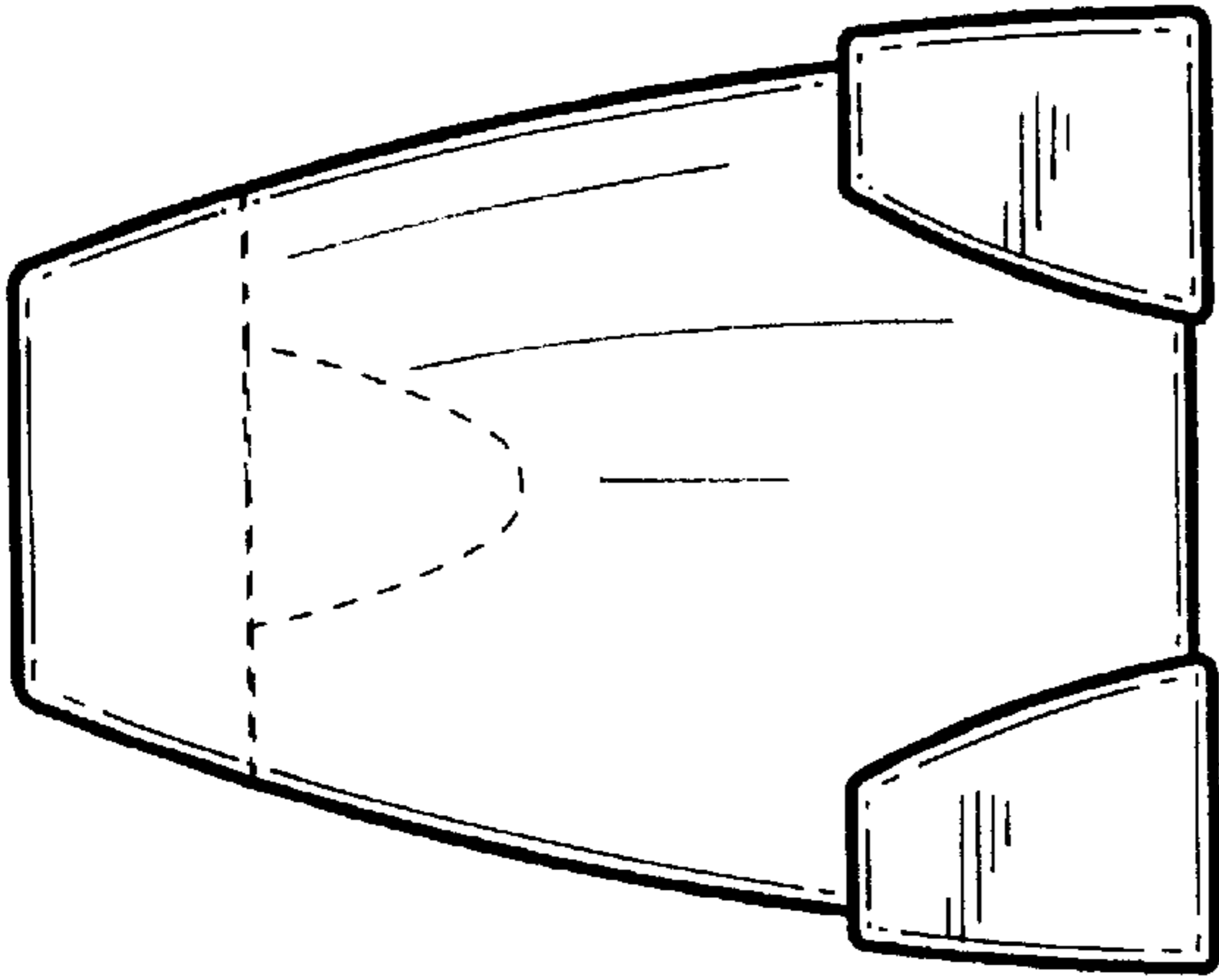


FIG. 4

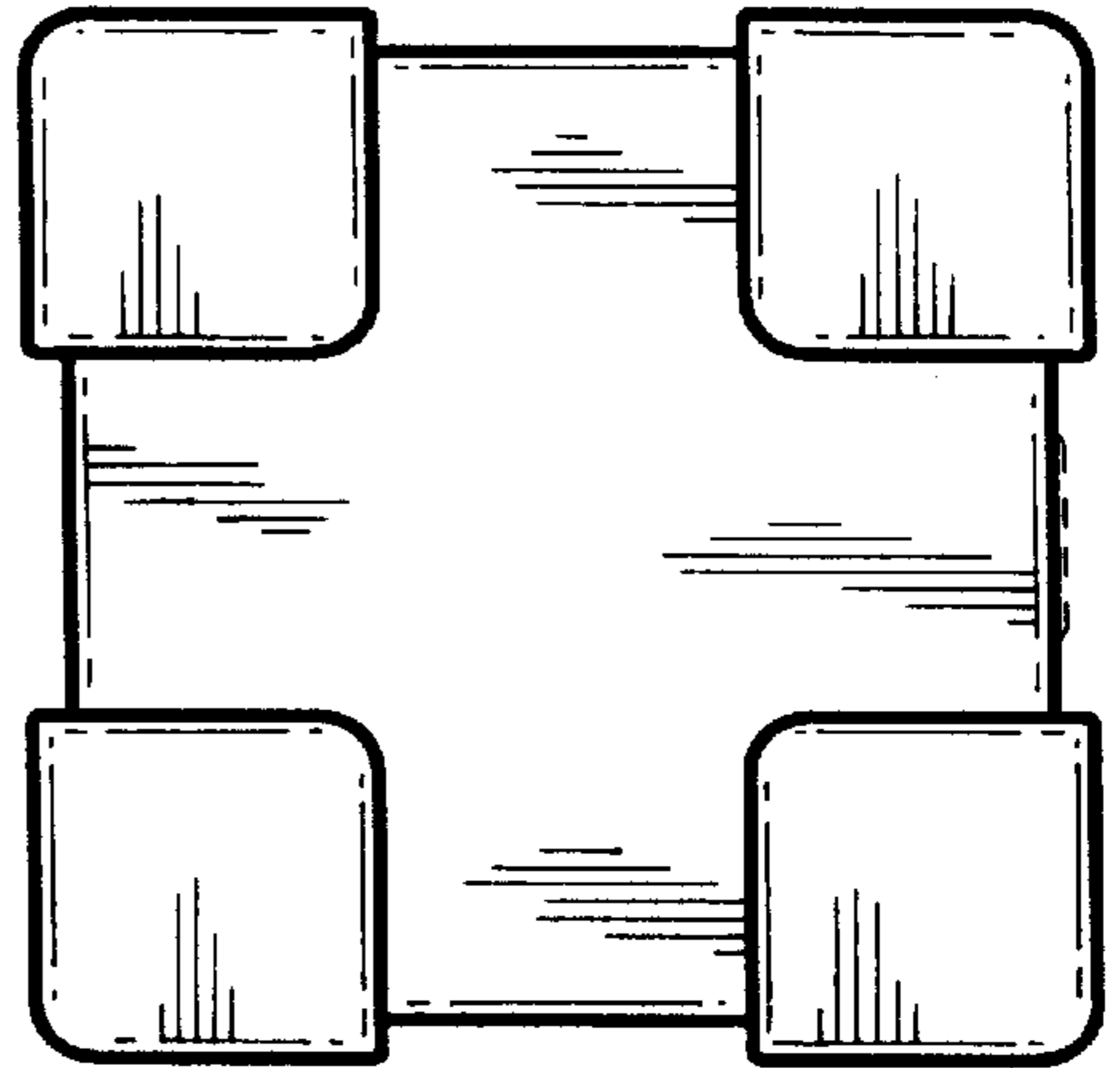
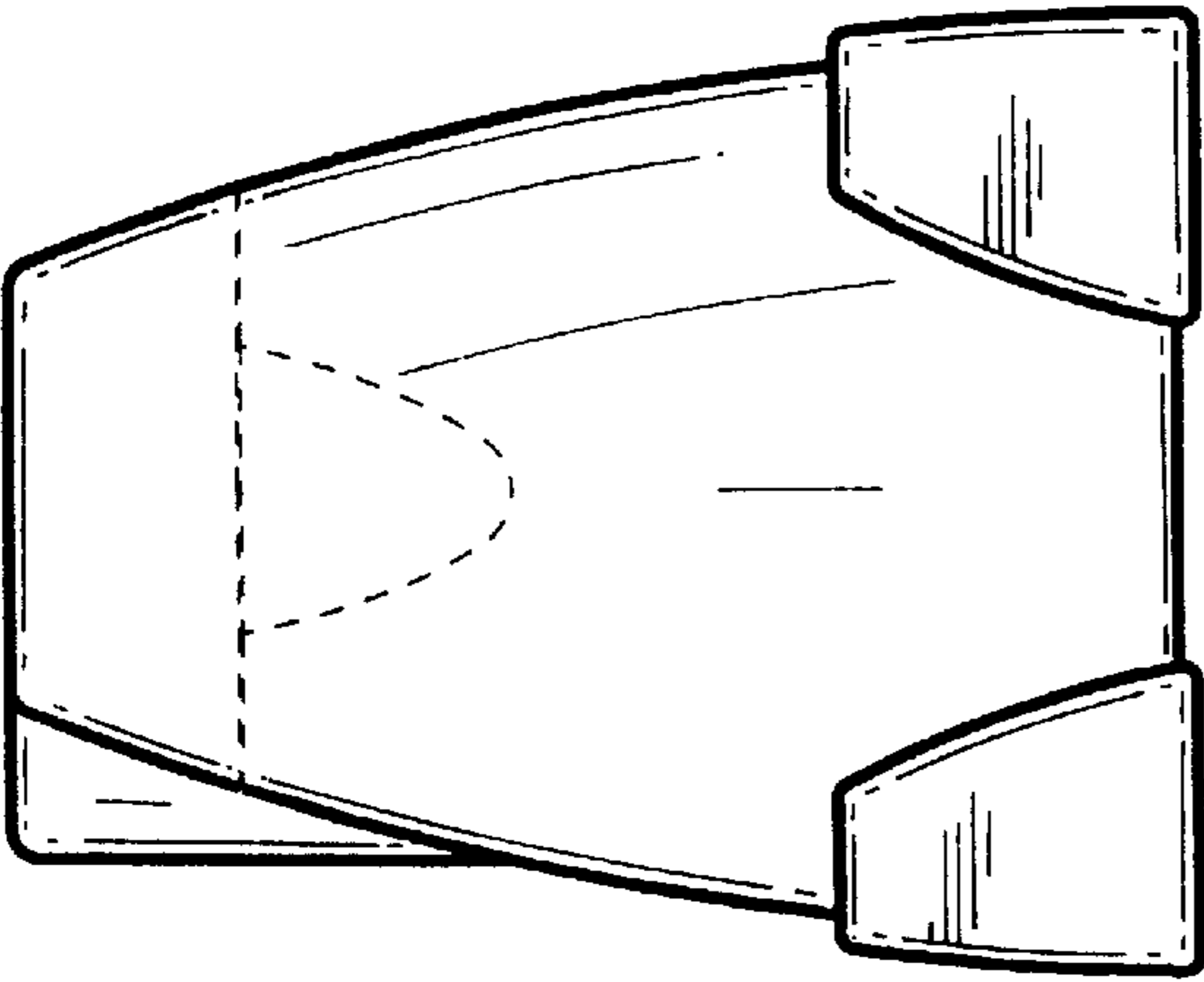


FIG. 6