



US00D418756S

**United States Patent** [19]  
**Reidenbach**

[11] **Patent Number: Des. 418,756**  
[45] **Date of Patent: \*\* Jan. 11, 2000**

[54] **BOTTLE CAP**

[76] Inventor: **Bryan L. Reidenbach**, 26 Northern Dr.,  
Millersburg, Ohio 44654

[\*\*] Term: **14 Years**

[21] Appl. No.: **29/106,823**

[22] Filed: **Jun. 21, 1999**

D. 351,795	10/1994	Ogden .....	D9/453
D. 385,191	10/1997	Cheek .....	D9/452 X
3,199,702	8/1965	Fischbach .....	215/252
3,422,978	1/1969	Quackenbush .....	215/216
3,805,987	4/1974	Horvath .....	215/252
5,129,530	7/1992	Fuchs .....	215/252
5,673,809	10/1997	Ohmi et al. ....	215/252

*Primary Examiner*—Cathron B. Matta  
*Attorney, Agent, or Firm*—Sand & Sebolt

**Related U.S. Application Data**

[62] Division of application No. 29/100,133, Feb. 5, 1999.

[51] **LOC (7) Cl.** ..... **09-07**

[52] **U.S. Cl.** ..... **D9/452; D9/454; D9/453**

[58] **Field of Search** ..... D9/435, 445, 452,  
D9/453, 454, 503, 504; 215/214, 216, 217,  
250, 252, 253, 254, 256, 257; 220/265,  
266, 270, 276, 279, 280

[56] **References Cited**

**U.S. PATENT DOCUMENTS**

H803 8/1990 Sherrington ..... D9/453 X

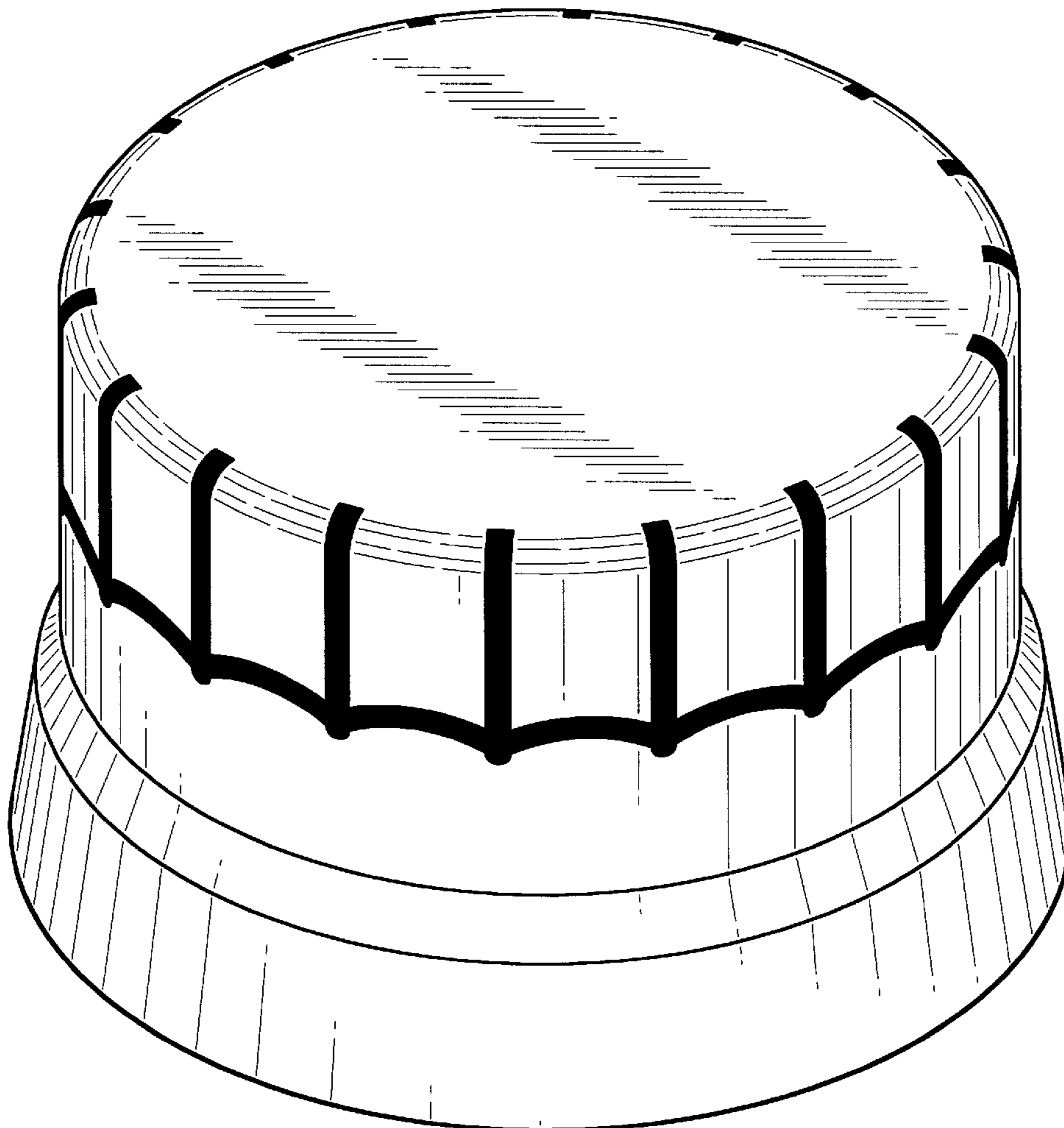
[57] **CLAIM**

The ornamental design for a bottle cap, as shown and described.

**DESCRIPTION**

FIG. 1 is a perspective view of the bottle cap of the present invention;  
FIG. 2 is a top view of the cap shown in FIG. 1; and,  
FIG. 3 is a side elevational view of the cap shown in FIG. 1.

**1 Claim, 2 Drawing Sheets**



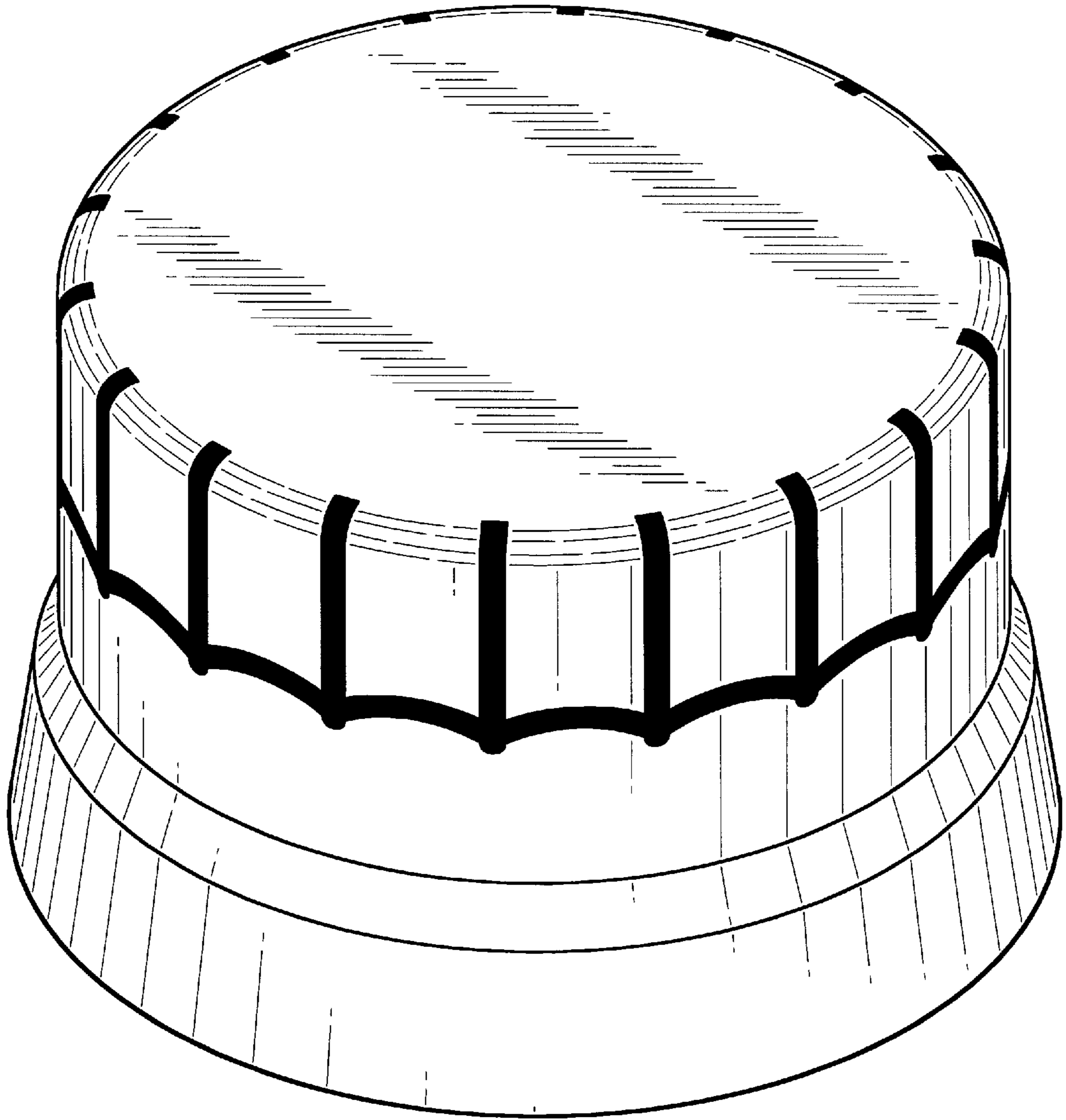


FIG-1

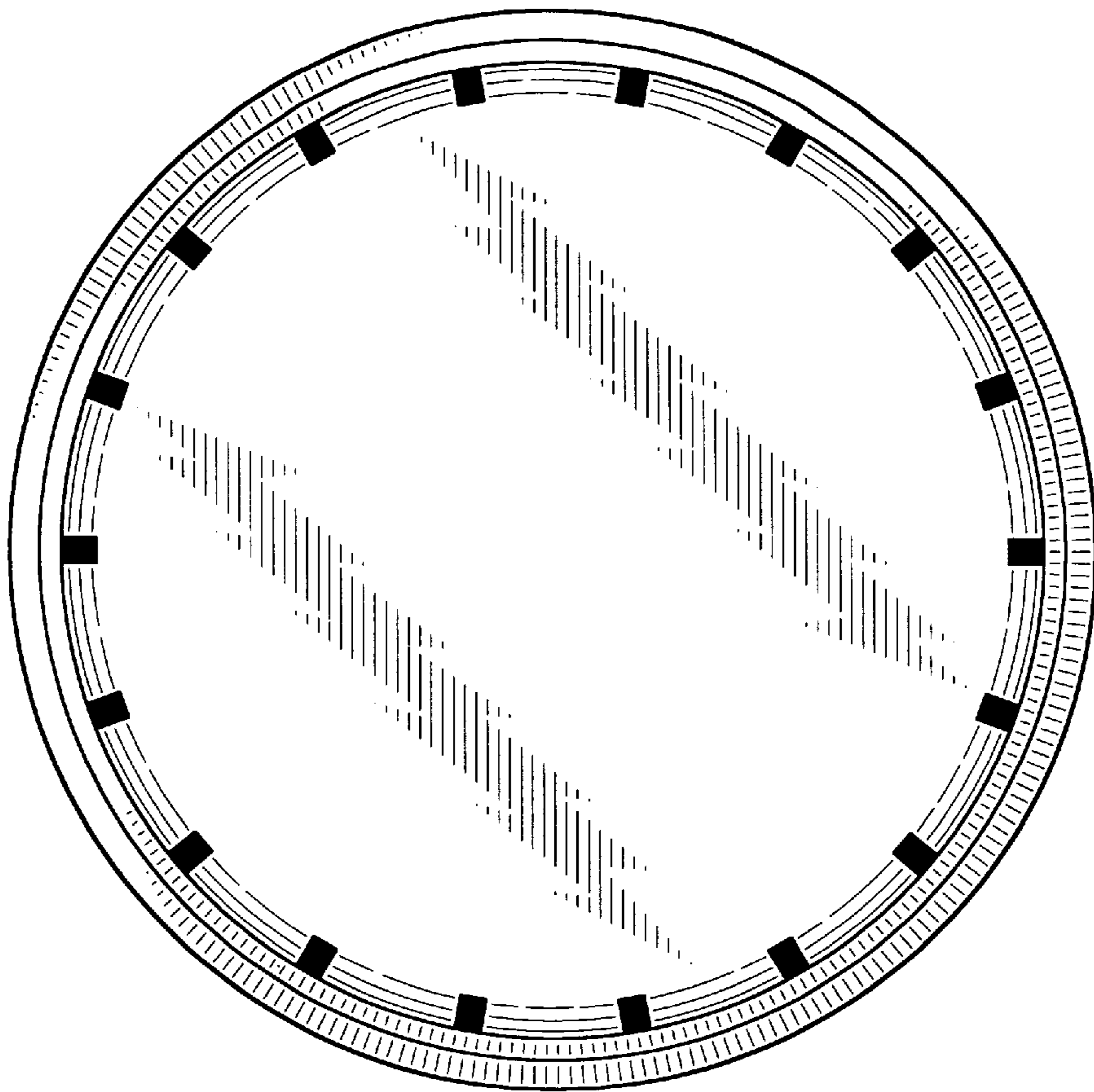


FIG-2

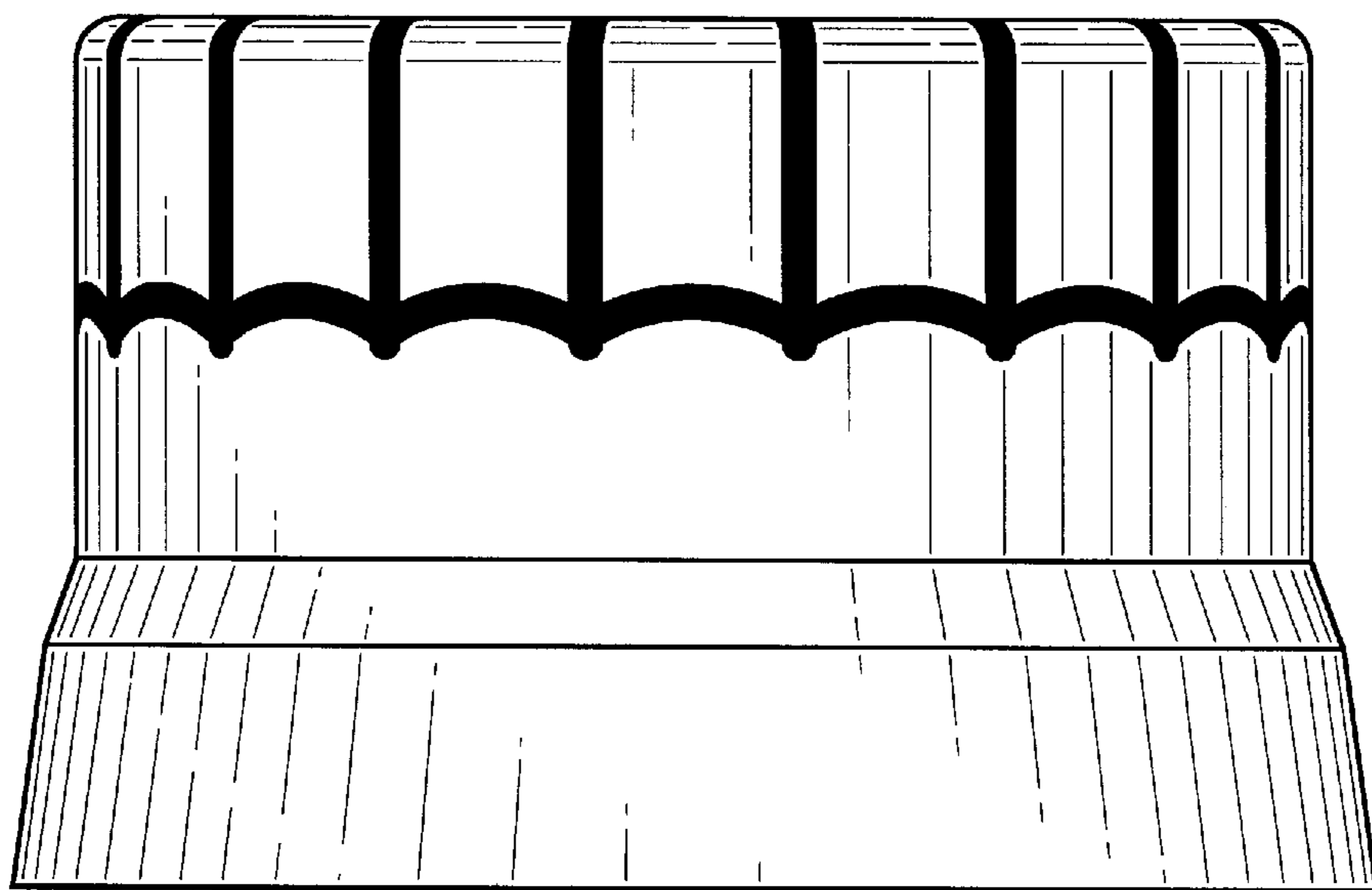


FIG-3