



US00D418751S

# United States Patent [19] Wolf

[11] **Patent Number: Des. 418,751**

[45] **Date of Patent: \*\* Jan. 11, 2000**

[54] **FOLDABLE CARTON WITH HANDLES**

[76] Inventor: **David Wolf**, 83 Jabotinsky Road,  
Benei-Brak 51228, Israel

[\*\*] Term: **14 Years**

[21] Appl. No.: **29/092,204**

[22] Filed: **Aug. 14, 1998**

[30] **Foreign Application Priority Data**

Feb. 15, 1998 [IL] Israel ..... 51228

[51] **LOC (7) Cl.** ..... **09-03**

[52] **U.S. Cl.** ..... **D9/432**

[58] **Field of Search** ..... D9/337, 341, 346-347,  
D9/414, 430, 431-433; 229/117, 117.5,  
117.4

[56] **References Cited**

### U.S. PATENT DOCUMENTS

D. 396,805 8/1998 Broyles ..... D9/432  
2,268,906 1/1942 Scheer ..... 229/117.15  
2,675,168 4/1954 Clark ..... 229/117.14

3,239,110 3/1966 Butler ..... D9/432  
3,931,916 1/1976 Blue et al. .... 229/117.14  
4,530,459 7/1985 Maroszek ..... 229/117.15  
4,535,928 8/1985 Capo ..... 229/117.14  
5,344,066 9/1994 Fogle ..... 229/117.14

*Primary Examiner*—James Gandy  
*Assistant Examiner*—Carol Rademaker  
*Attorney, Agent, or Firm*—Eugene Lieberstein; Michael N. Meller

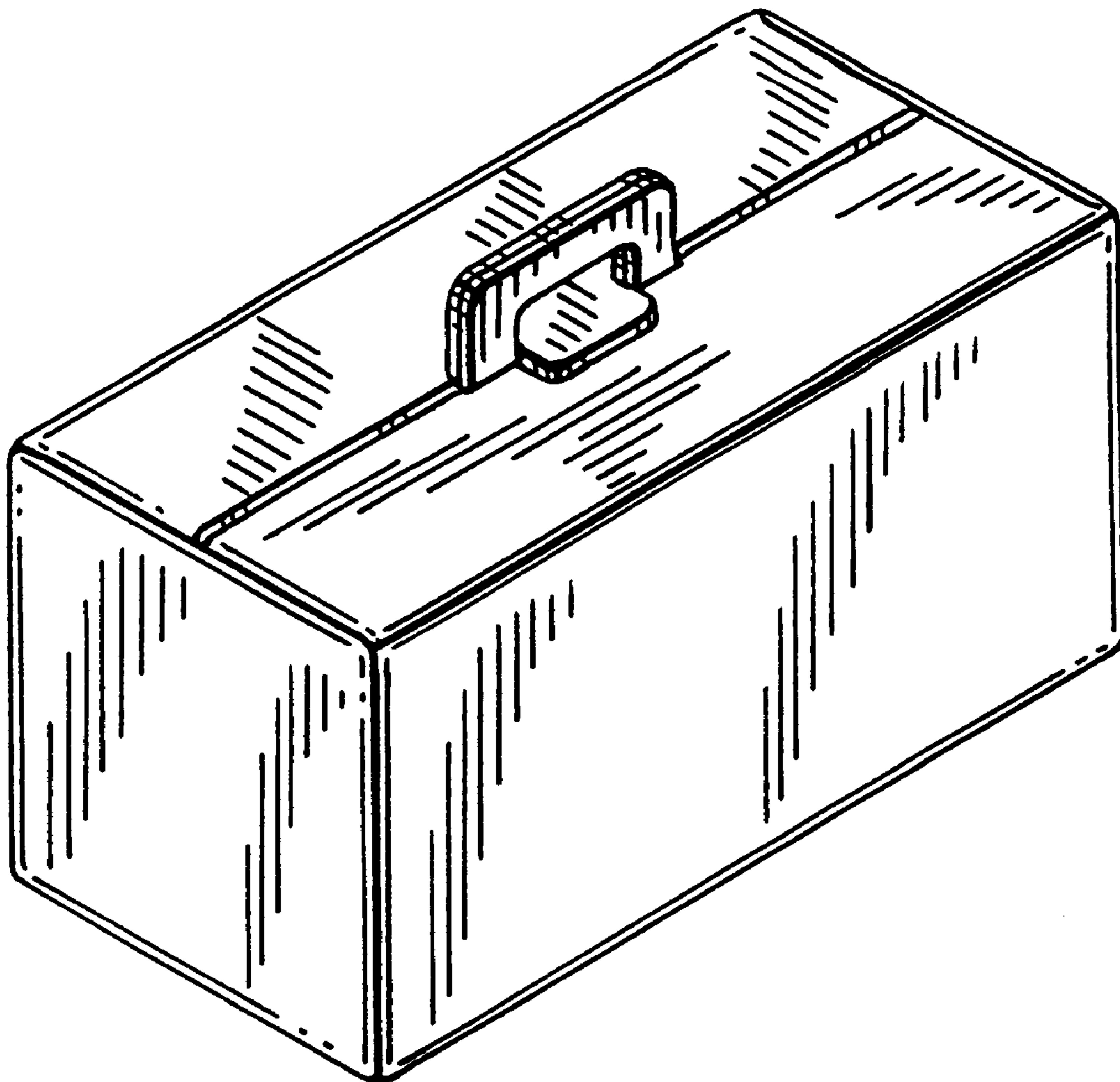
[57] **CLAIM**

The ornamental design for a foldable carton with handles, as shown and described.

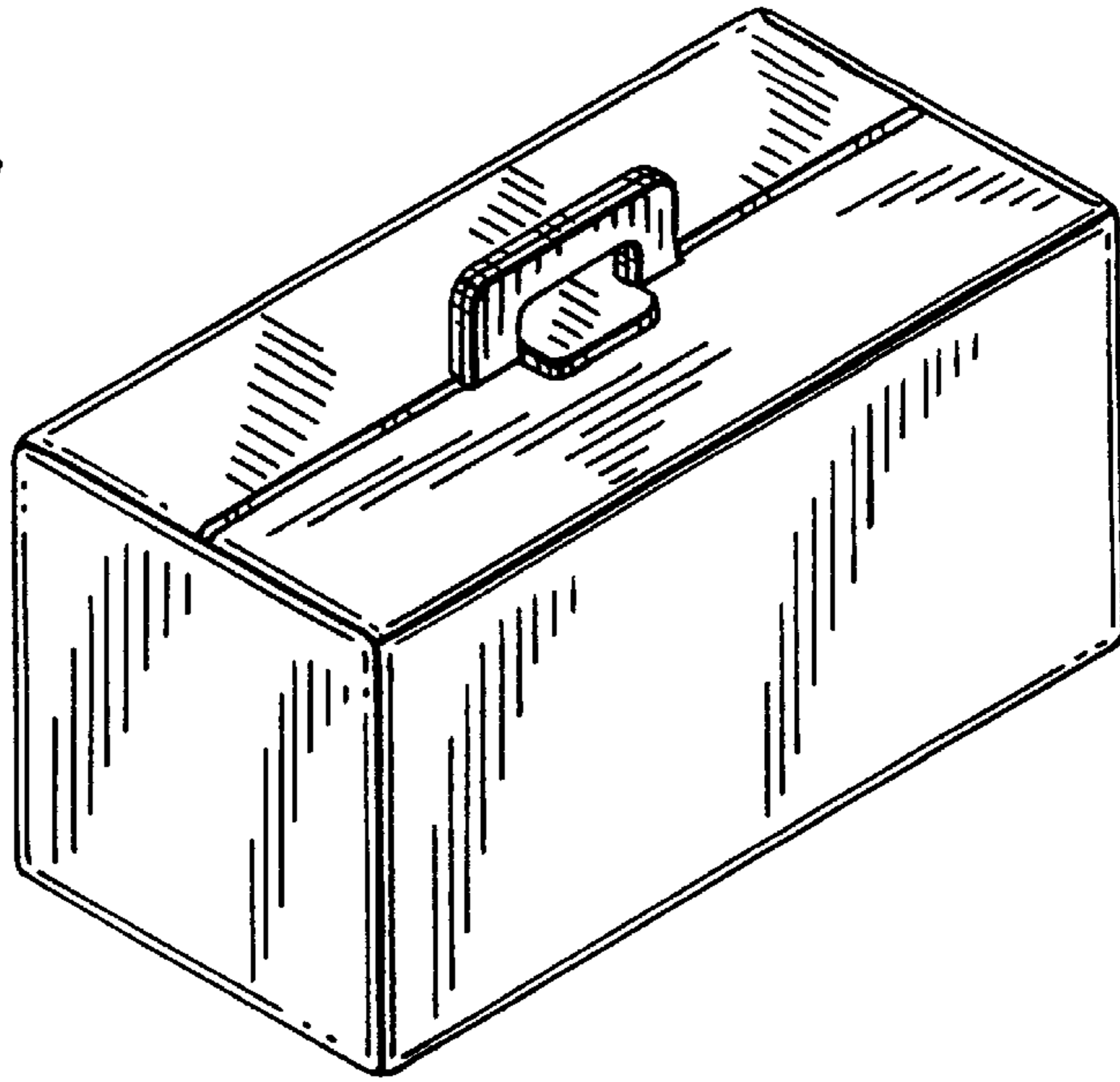
### DESCRIPTION

FIG. 1 is a top perspective view of a foldable carton with handles;  
FIG. 2 is a top plan view thereof;  
FIG. 3 is a right side view thereof;  
FIG. 4 is a right end view (left end view is a mirror image);  
FIG. 5 is a left side view thereof; and,  
FIG. 6 is a bottom plan view thereof.

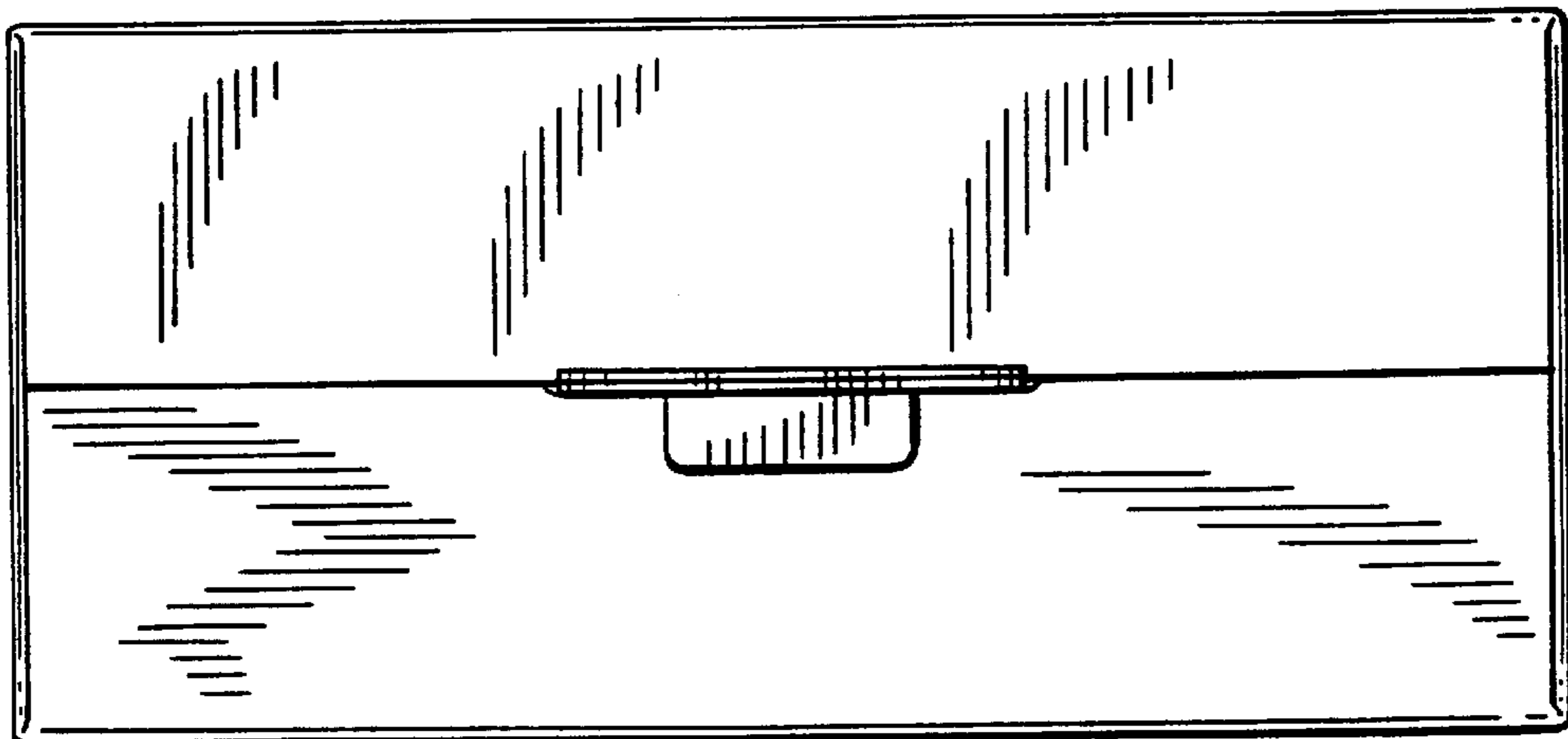
**1 Claim, 2 Drawing Sheets**



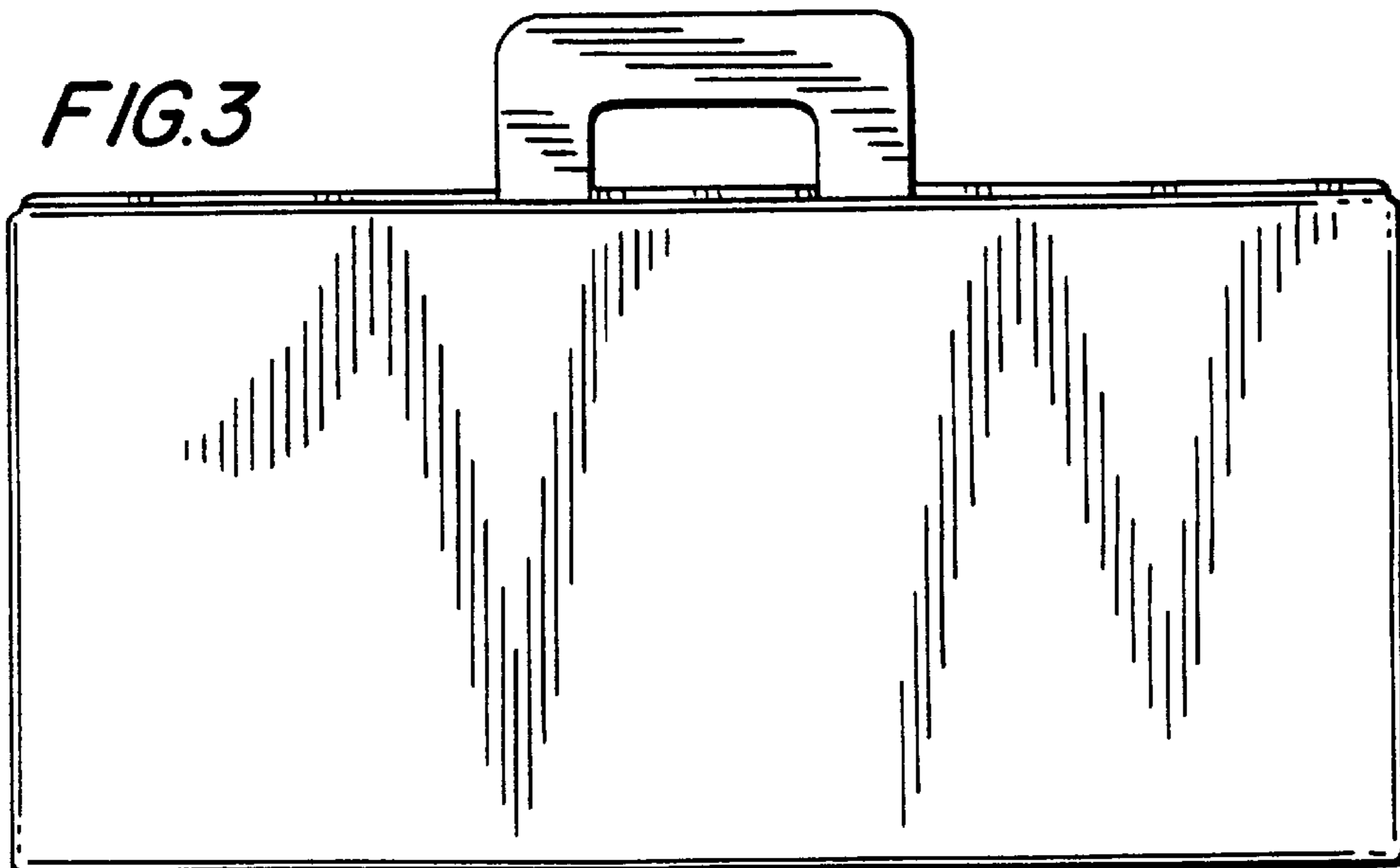
*FIG. 1*



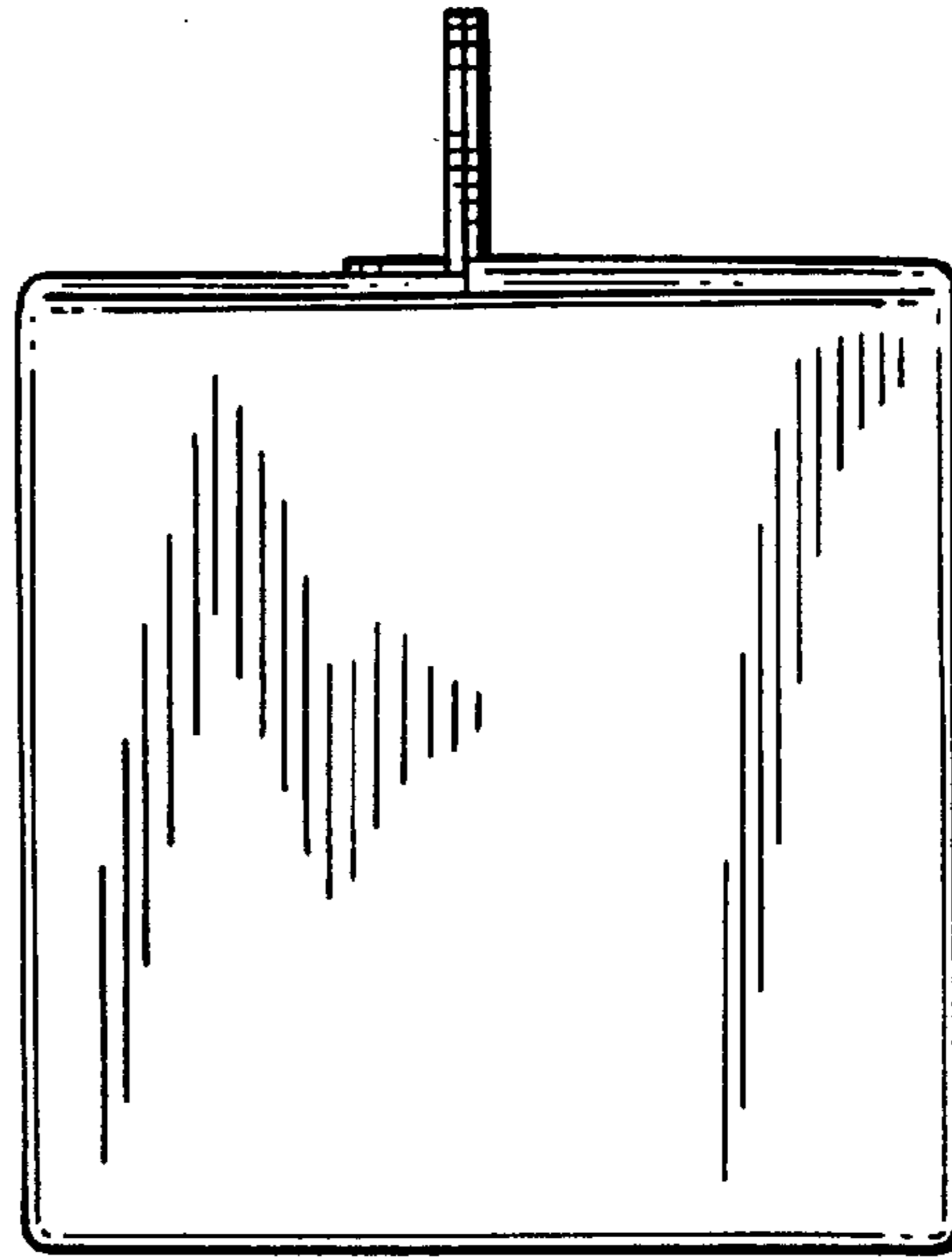
*FIG. 2*



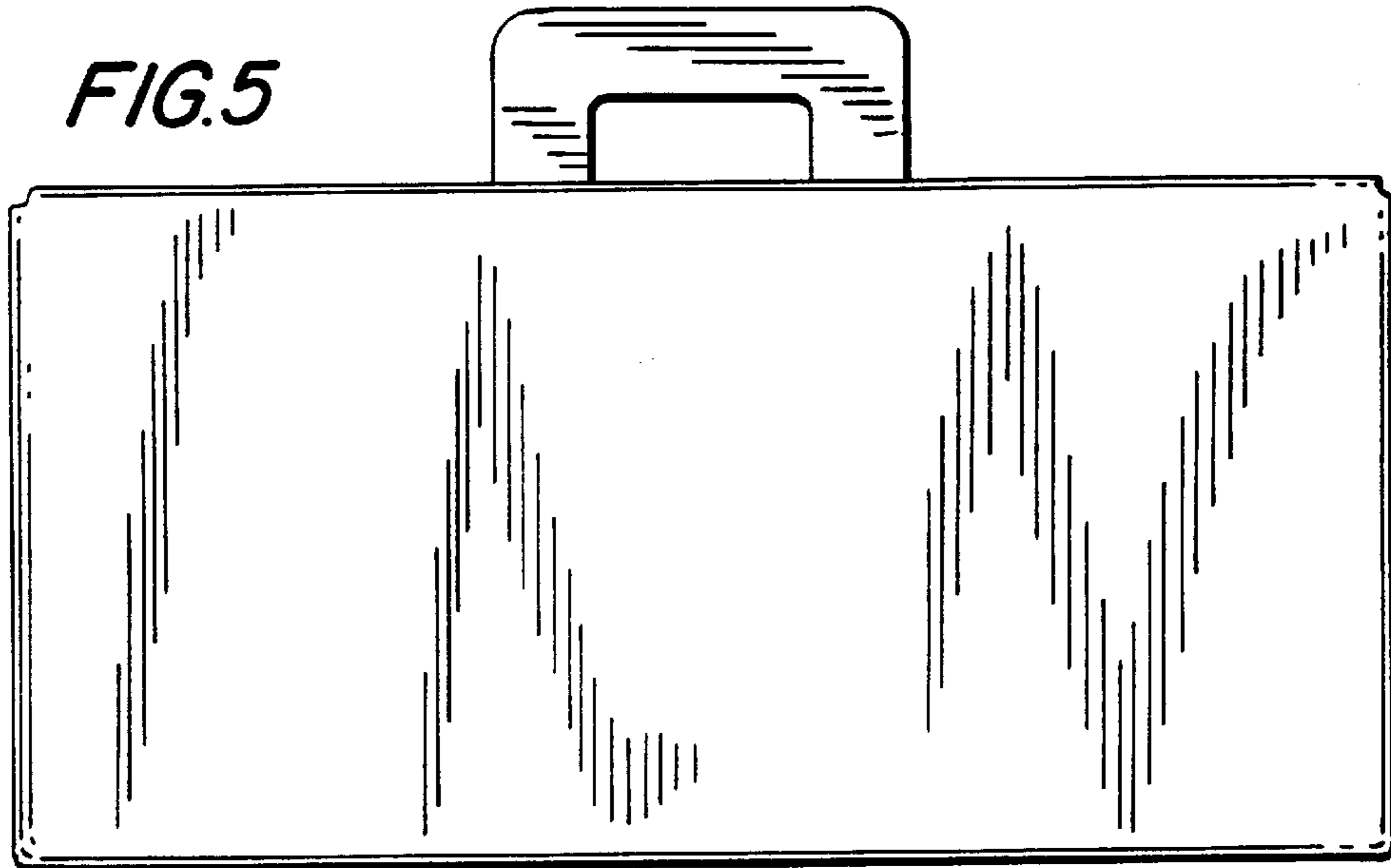
*FIG. 3*



*FIG. 4*



*FIG. 5*



*FIG. 6*

