



US00D418747S

**United States Patent** [19]  
**Sagel**

[11] **Patent Number: Des. 418,747**  
[45] **Date of Patent: \*\* Jan. 11, 2000**

[54] **FLEXIBLE PACKAGE FOR SNACK FOODS OR THE LIKE**

[75] Inventor: **Joseph P. Sagel**, Lewisville, Tex.

[73] Assignee: **Recot, Inc.**, Pleasanton, Calif.

[\*\*] Term: **14 Years**

[21] Appl. No.: **29/103,114**

[22] Filed: **Apr. 8, 1999**

[51] **LOC (7) Cl.** ..... **09-05**

[52] **U.S. Cl.** ..... **D9/305**

[58] **Field of Search** ..... D9/302, 305, 306;  
D24/118, 207; 206/822; 220/DIG. 13; 222/92,  
105, 107, 541.1, 541.4; 229/4.5, 200, 201;  
383/33, 104, 107, 114, 200, 205, 907

[56] **References Cited**

**U.S. PATENT DOCUMENTS**

3,412,918 11/1968 Sherman ..... 383/200

5,018,646 5/1991 Billman et al. .... 222/107  
5,059,035 10/1991 Kristensen ..... 383/104 X  
5,512,337 4/1996 Littmann et al. .... 383/114 X  
5,586,689 12/1996 D'Amato ..... 222/92  
5,617,974 4/1997 Sawyer, Jr. .... 222/107

*Primary Examiner*—Cathron B. Matta  
*Attorney, Agent, or Firm*—Rothwell, Figg, Ernst & Kurz

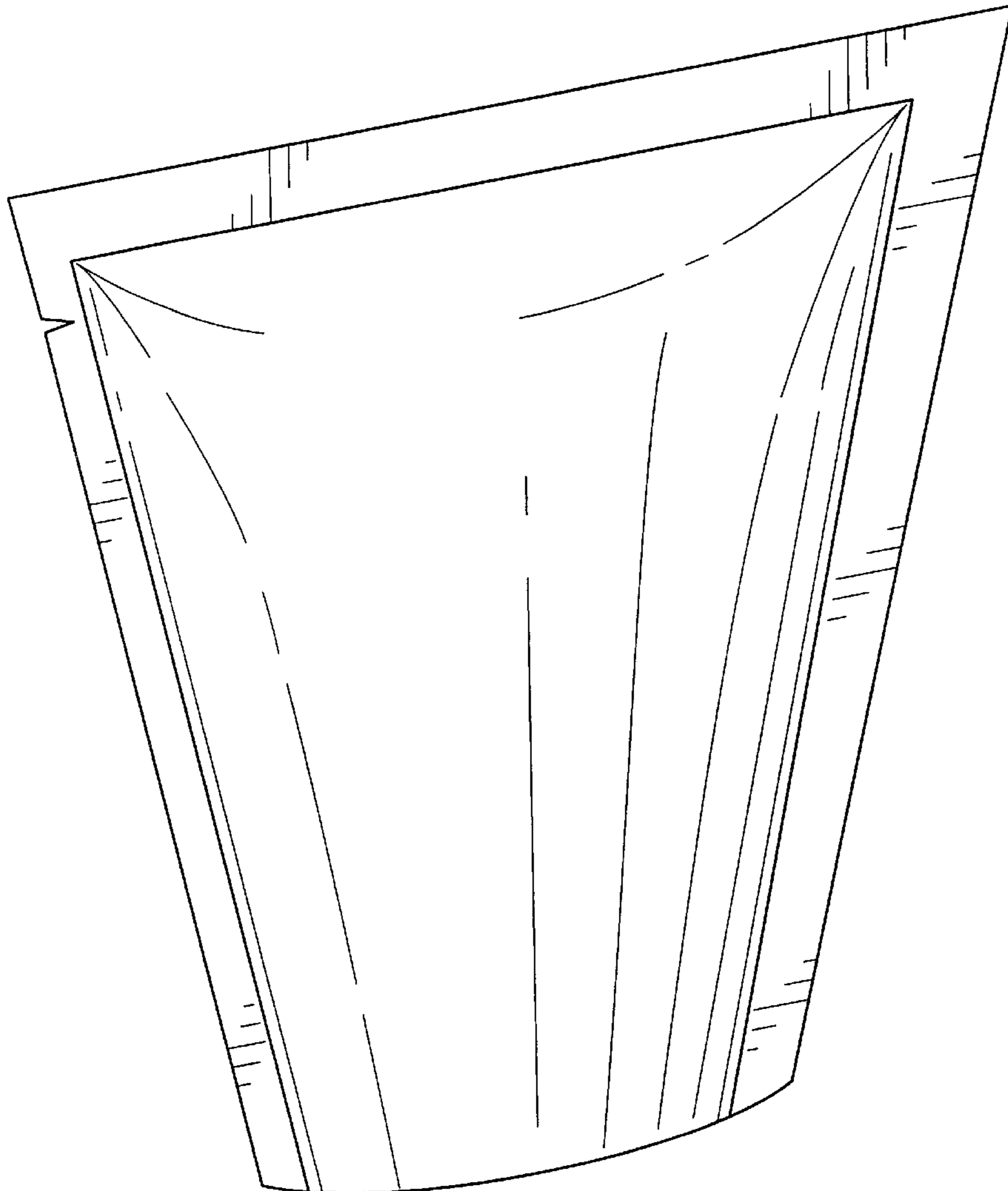
[57] **CLAIM**

The ornamental design for a flexible package for snack foods or the like, as shown and described.

**DESCRIPTION**

FIG. 1 is a top perspective view showing the flexible package for snack foods or the like.  
FIG. 2 is a top view of the flexible package of FIG. 1.  
FIG. 3 is a bottom view of the flexible package of FIG. 1.  
FIG. 4 is a side view of the flexible package of FIG. 1.  
FIG. 5 is a front view of the flexible package of FIG. 1; and,  
FIG. 6 is a rear view of the flexible package of FIG. 1.

**1 Claim, 5 Drawing Sheets**



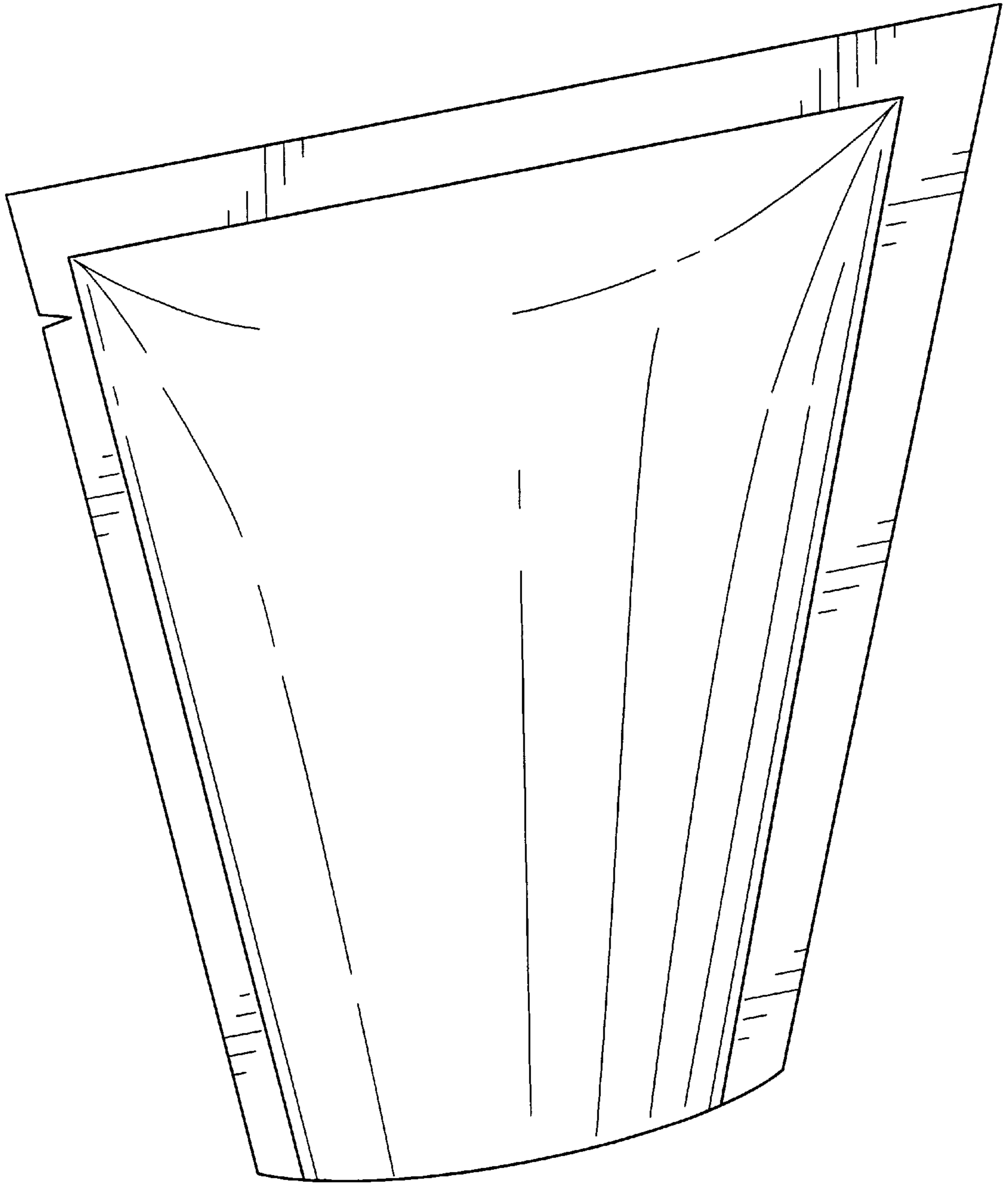


FIG. 1

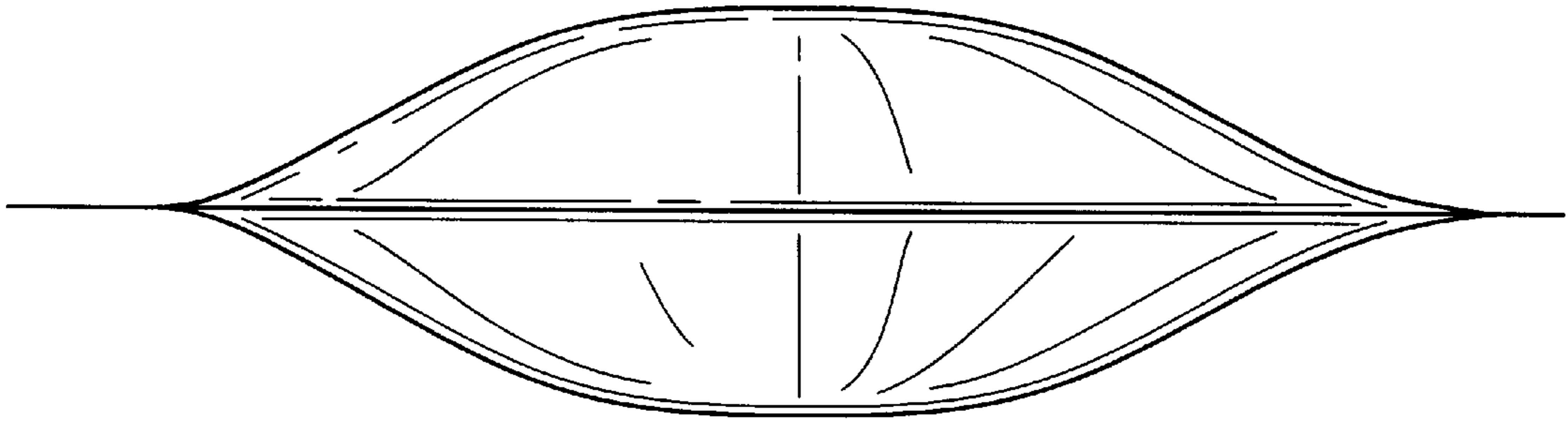


FIG. 2

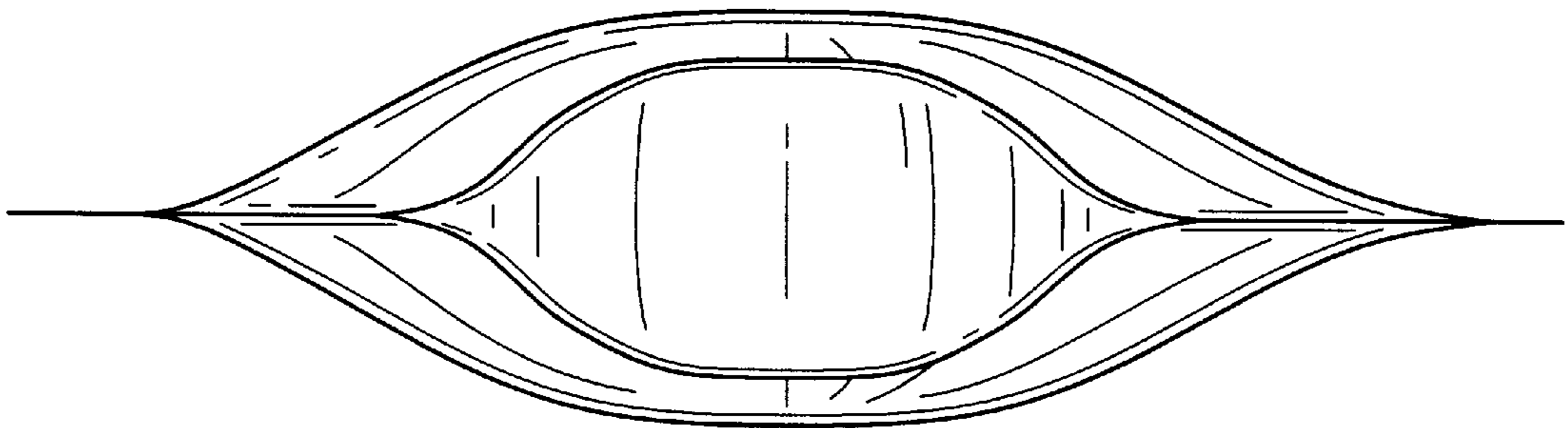


FIG. 3

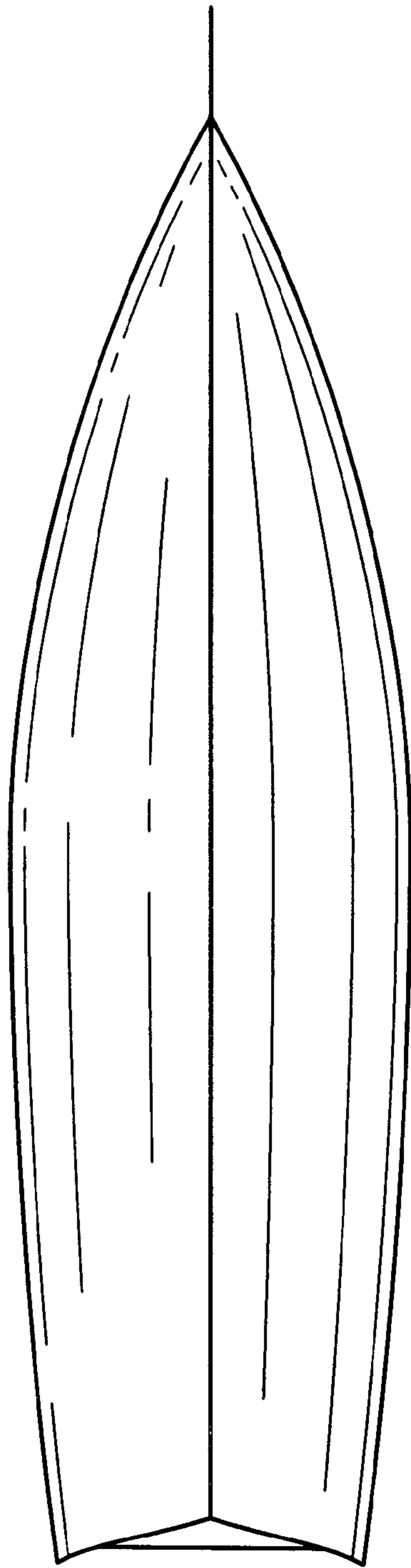


FIG. 4

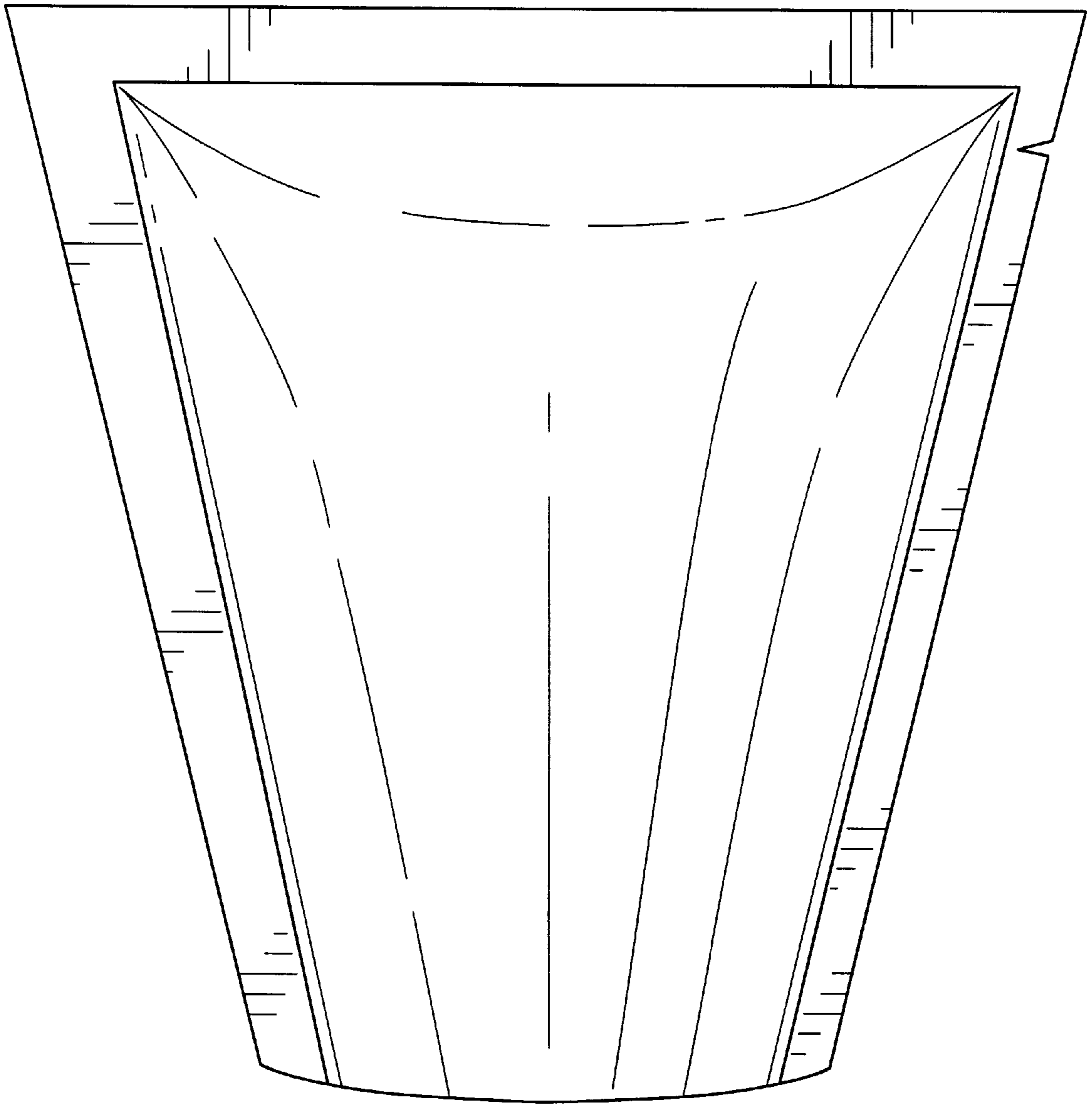


FIG. 5

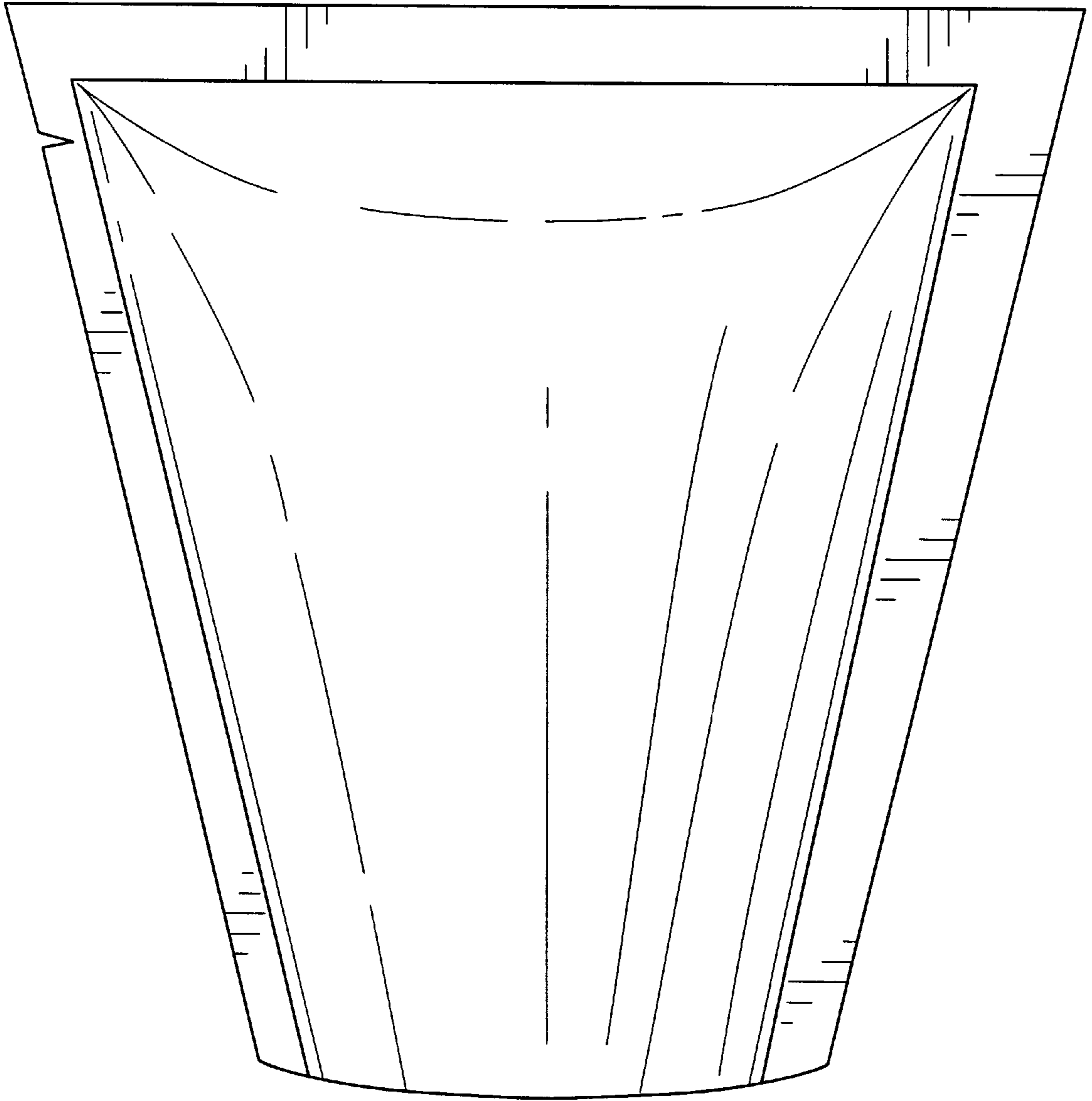


FIG. 6