



US00D418741S

**United States Patent** [19]  
**Rouse**

[11] **Patent Number: Des. 418,741**  
[45] **Date of Patent: \*\* Jan. 11, 2000**

[54] **CLOTHING SEPARATOR**

[76] Inventor: **Howard L Rouse**, P.O. Box 15368, San Diego, Calif. 92175

[\*\*] Term: **14 Years**

[21] Appl. No.: **29/101,844**

[22] Filed: **Mar. 11, 1999**

[51] **LOC (7) Cl.** ..... **08-05**

[52] **U.S. Cl.** ..... **D8/376**

[58] **Field of Search** ..... D8/376; 211/105.3; 248/261, 265; 160/38-39

[56] **References Cited**

**U.S. PATENT DOCUMENTS**

D. 391,476 3/1998 Gourlay ..... D8/376  
613,542 11/1898 Willbur ..... 16/95 D

*Primary Examiner*—Holly Baynham  
*Attorney, Agent, or Firm*—Presseisen & Reidelbach, P.C.; Charles F. Reidelbach, Jr.

[57] **CLAIM**

The ornamental design for a clothing separator, as shown and described.

**DESCRIPTION**

FIG. 1 is a perspective view of a clothing separator showing my new design with the broken line showing of hangers and support rod being for illustrative purposes only and forming no part of the claimed design;

FIG. 2 is a left end elevational view of the clothes separator as shown in FIG. 5, along the plane indicated by line 2;

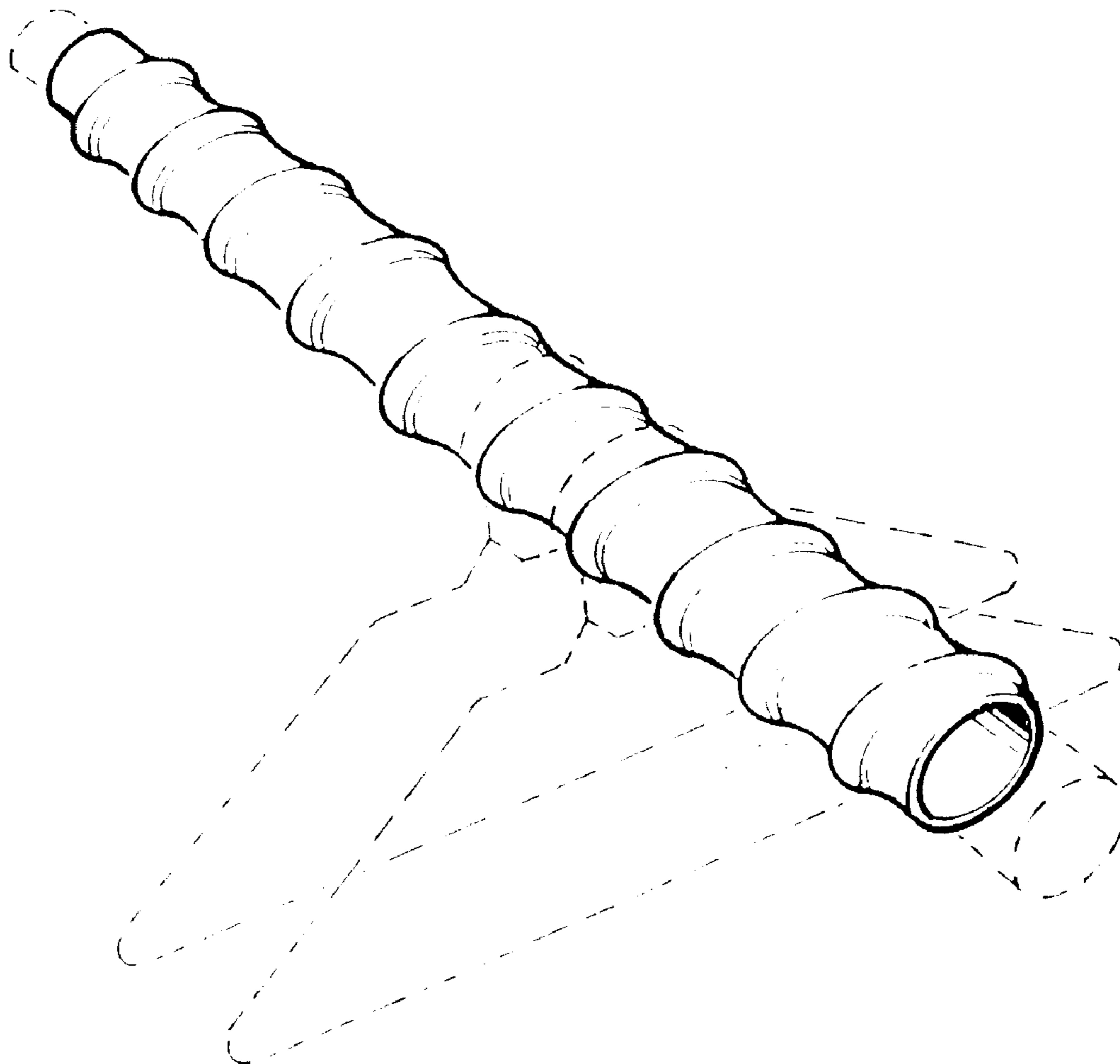
FIG. 3 is a right end elevational view of the clothes separator as shown in FIG. 5, along the plane indicated by line 3;

FIG. 4 is a top plan view of the clothes separator as shown in FIG. 1;

FIG. 5 is a side elevational view of the clothes separator as shown in FIG. 1; and,

FIG. 6 is a bottom plan view of the clothes separator as shown in FIG. 1.

**1 Claim, 1 Drawing Sheet**



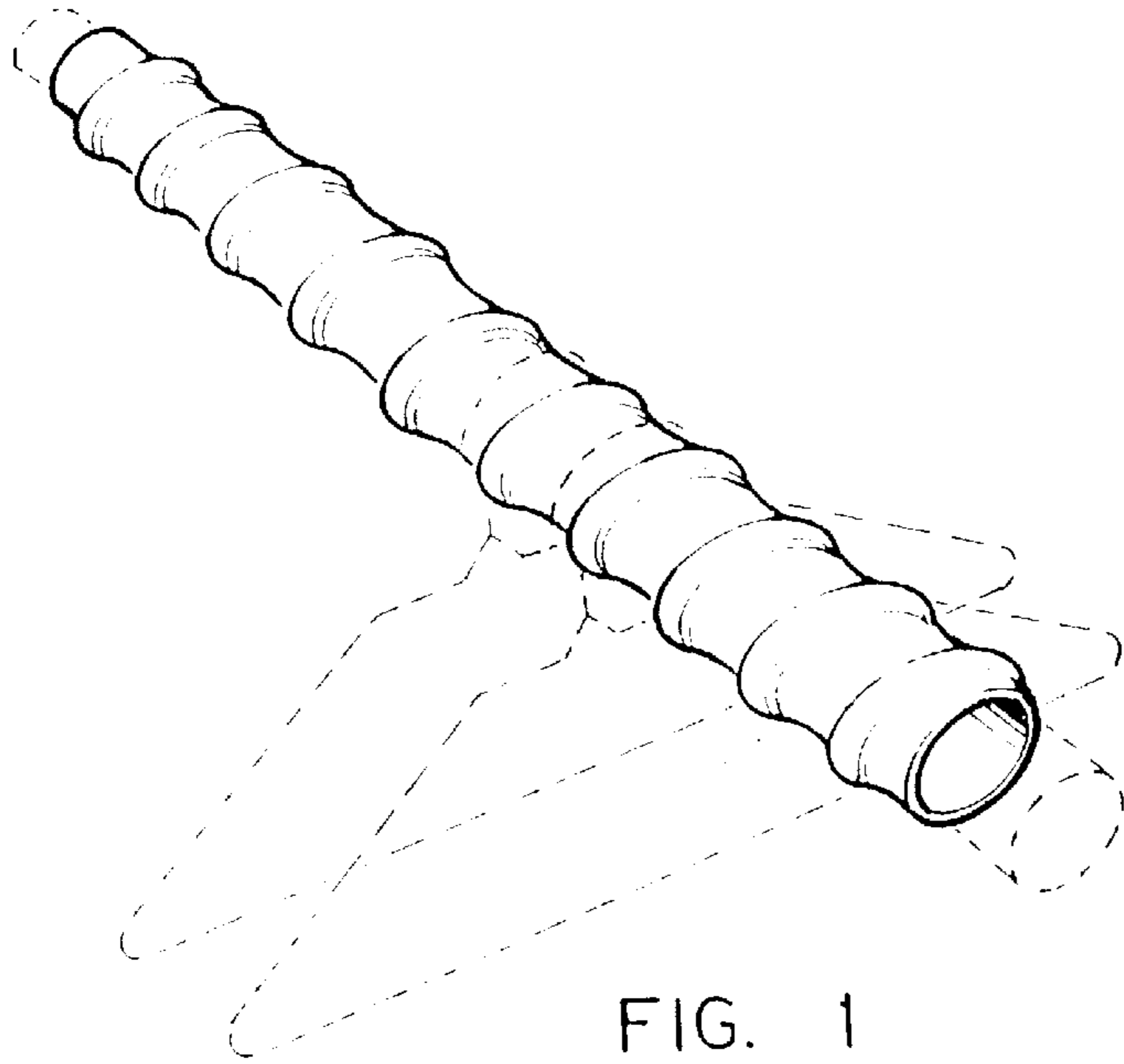


FIG. 1

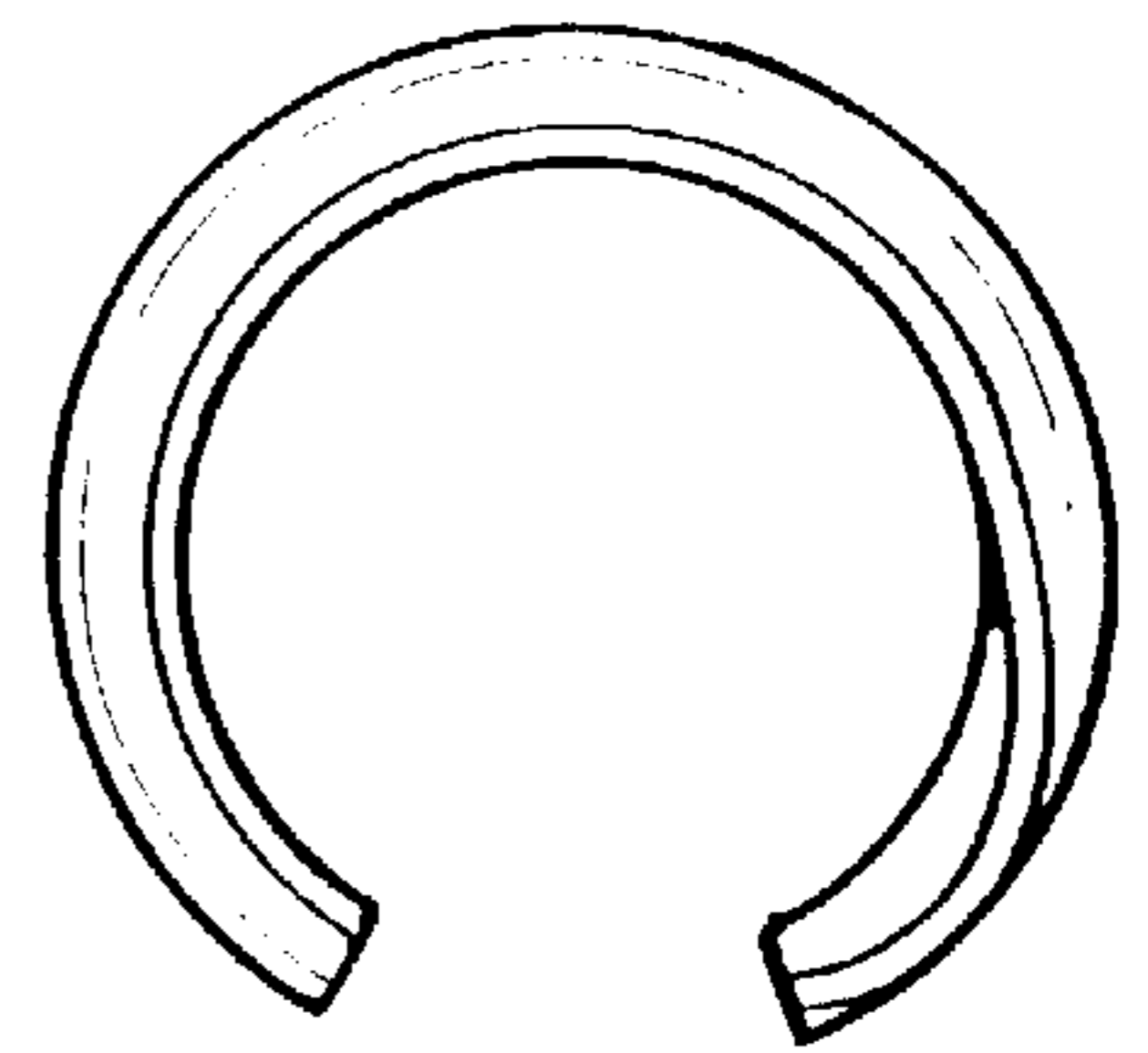


FIG. 2

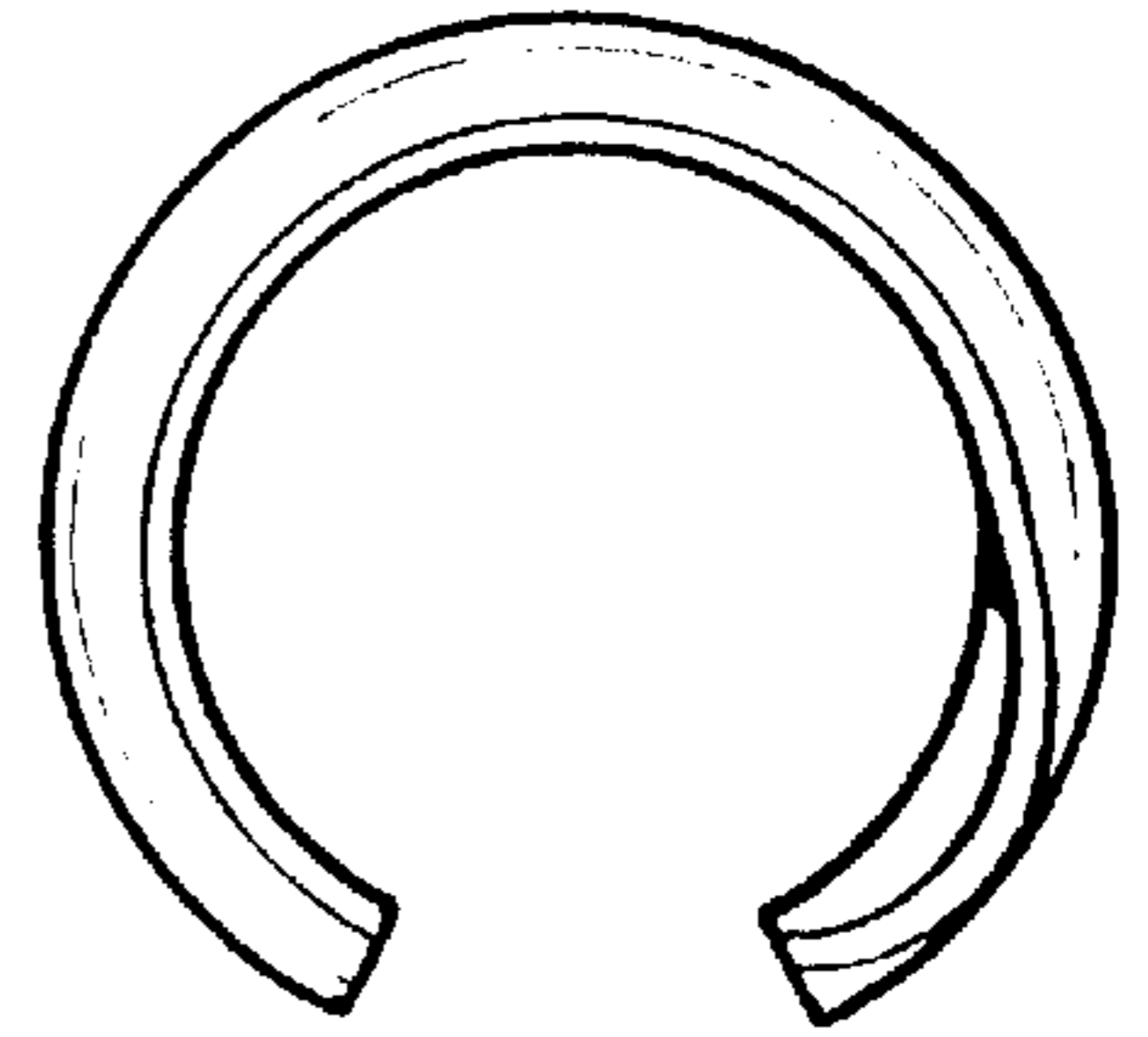


FIG. 3

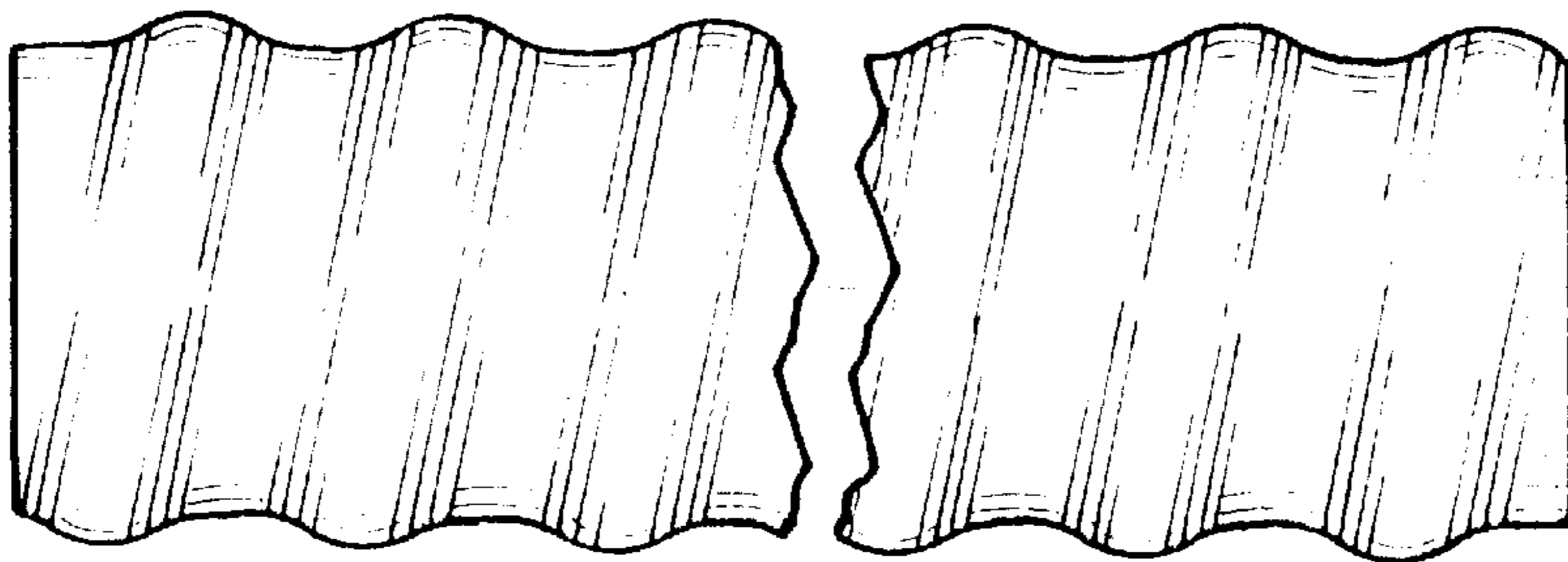


FIG. 4

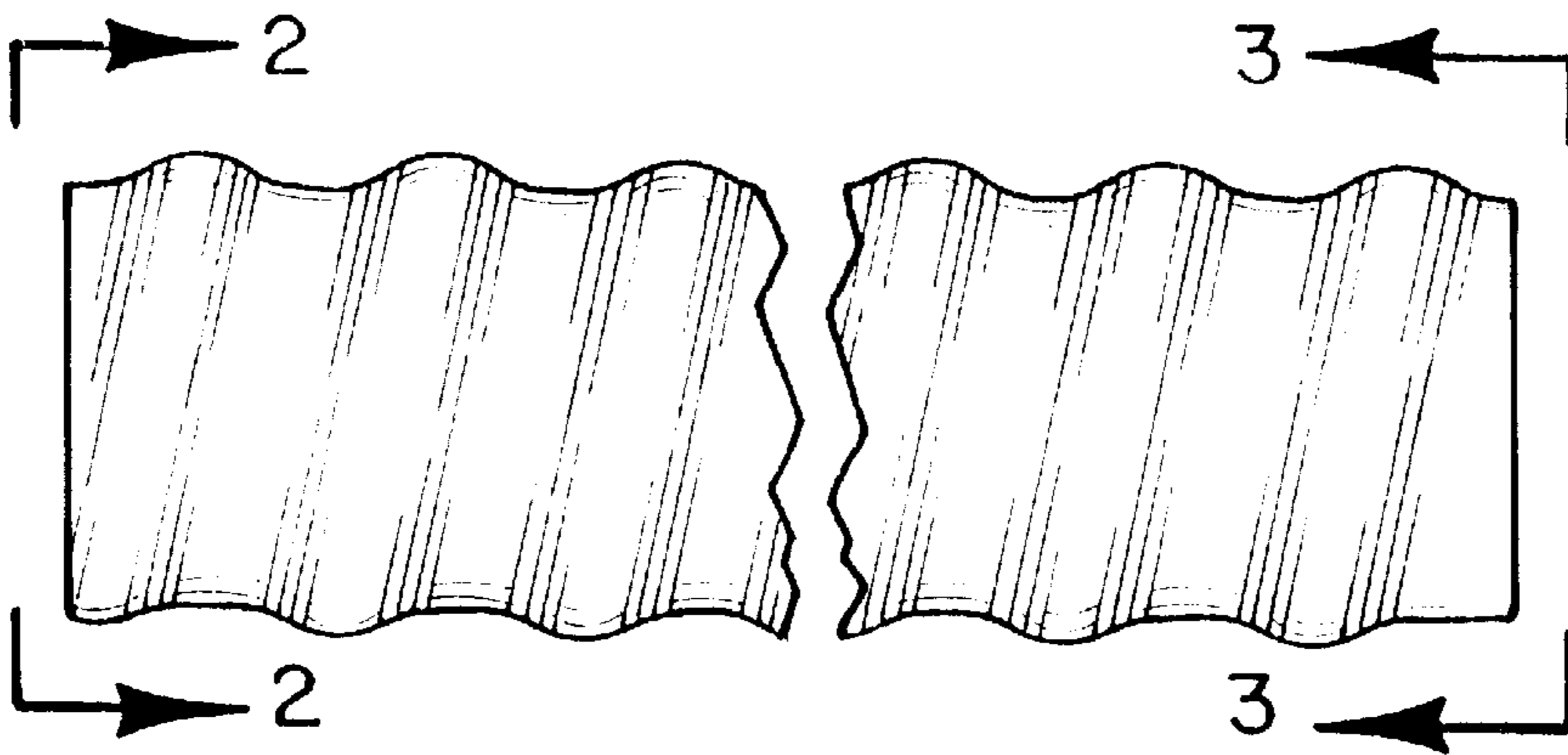


FIG. 5

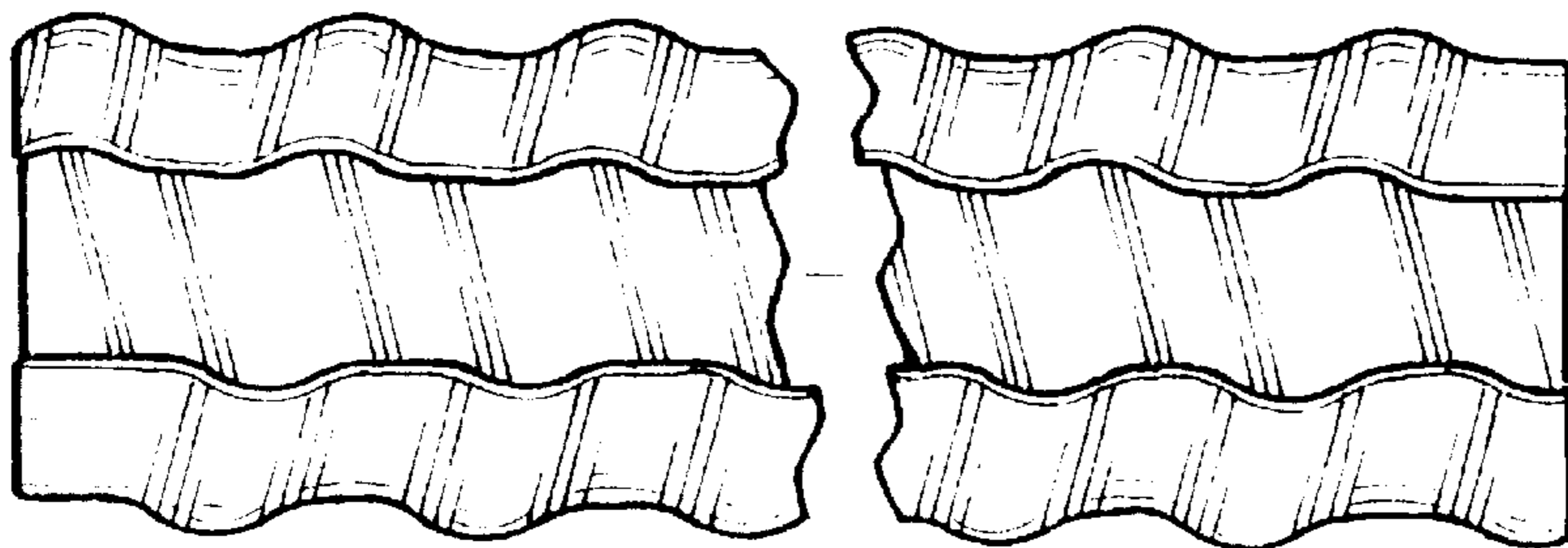


FIG. 6