



US00D418738S

United States Patent [19]

[11] Patent Number: **Des. 418,738**

Luttrell-Welti

[45] Date of Patent: **** Jan. 11, 2000**

[54] **DOOR BELL GUARD**

[57] **CLAIM**

[76] Inventor: **Lisa Luttrell-Welti**, 17 Captain's Woods Rd., Whitehouse Station, N.J. 08889

I claim the ornamental design for the door bell guard, as shown and described.

[**] Term: **14 Years**

DESCRIPTION

[21] Appl. No.: **29/101,981**

FIG. 1 is a perspective view of a door bell guard showing my new design;

[22] Filed: **Mar. 15, 1999**

FIG. 2 is a right side elevational view thereof, the left side elevational view being the same as said right side elevational view;

[51] **LOC (7) Cl.** **08-05**

[52] **U.S. Cl.** **D8/349**

FIG. 3 is a front elevational view thereof;

[58] **Field of Search** D8/349, 354, 499; 248/300, 27.1, 200, 316.7

FIG. 4 is a rear elevational view thereof;

FIG. 5 is a bottom plan view thereof;

FIG. 6 is a top plan view thereof; and,

[56] **References Cited**

U.S. PATENT DOCUMENTS

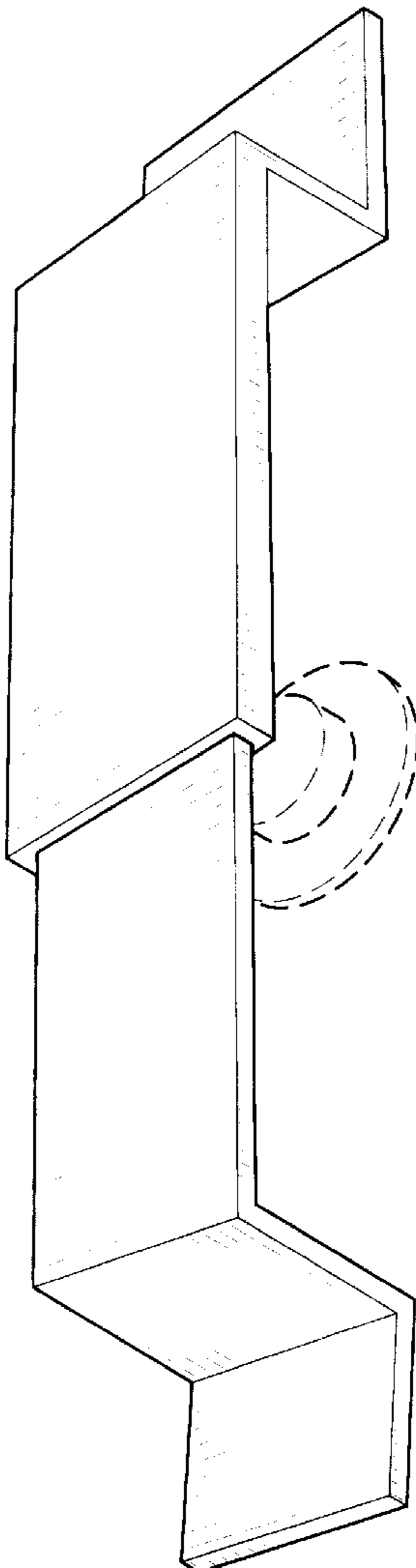
1,772,687	8/1930	Reinke	24/129	R
3,332,650	7/1967	Judge	248/220.22	X
4,335,863	6/1982	Rapps	248/316.7	

FIG. 7 is an exploded view thereof, showing the two components of my new design for clarity of illustration.

The broken line showing of a door bell is for illustrative purposes only and forms no part of the claimed design.

Primary Examiner—Holly Baynham

1 Claim, 2 Drawing Sheets



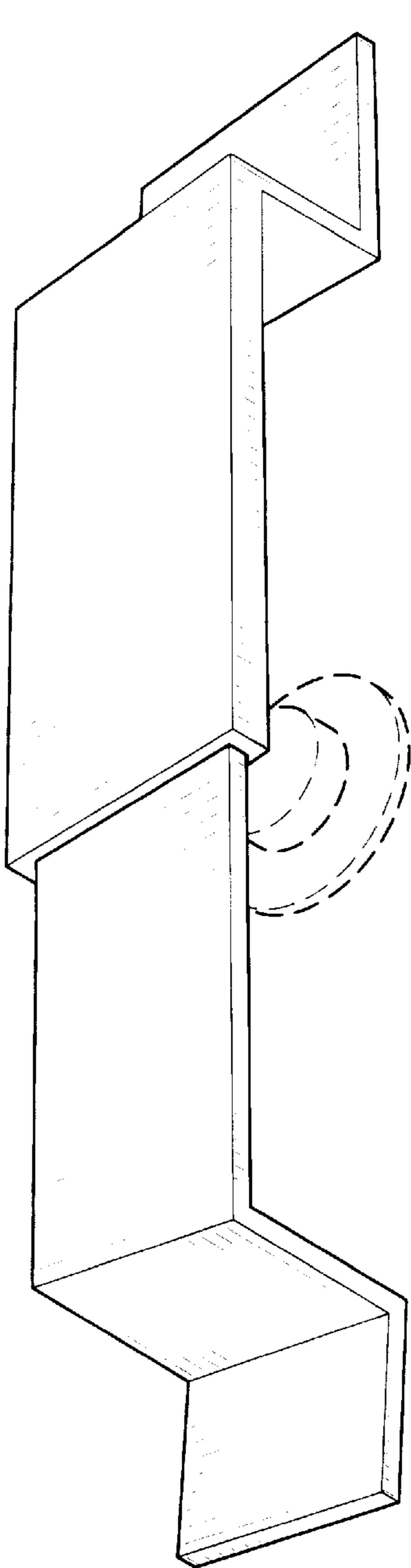


FIG. 1

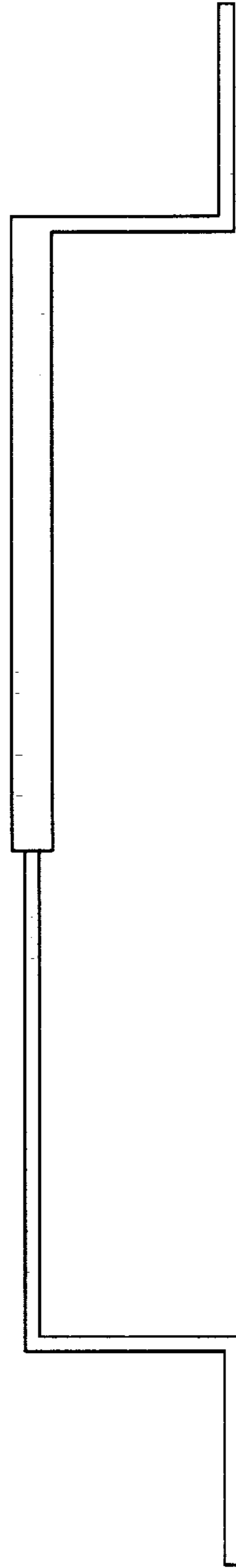


FIG. 2

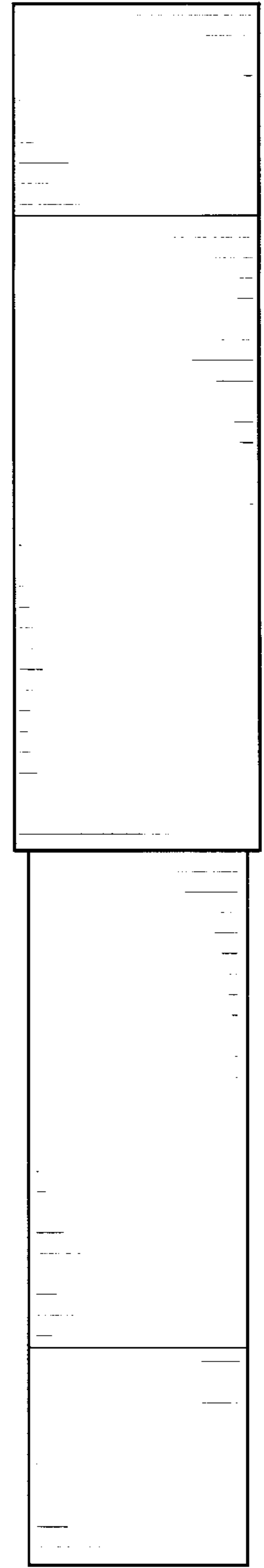


FIG. 3

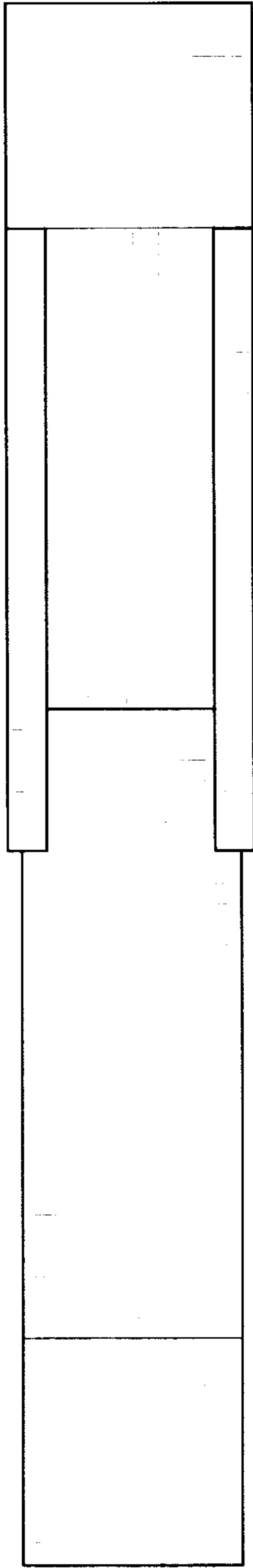


FIG. 4

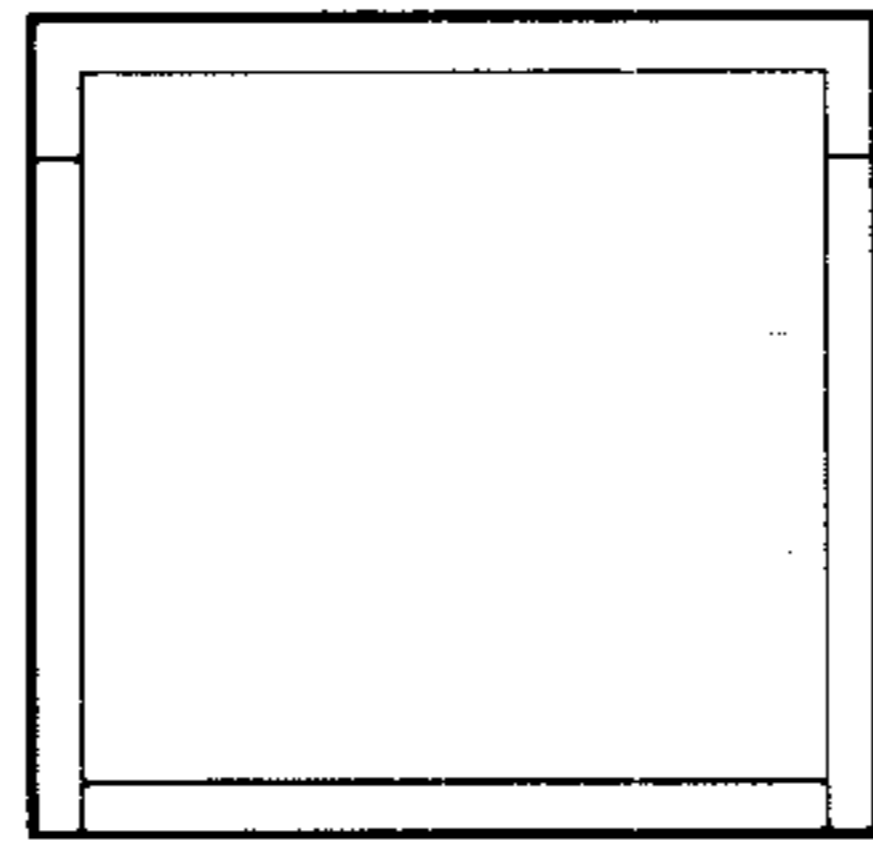


FIG. 5

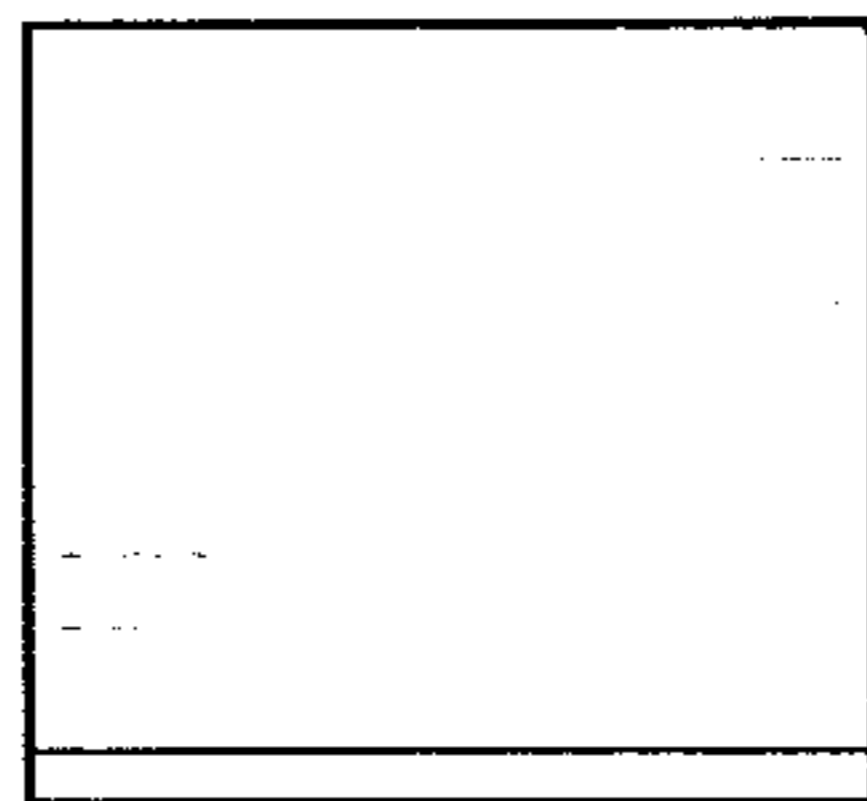


FIG. 6

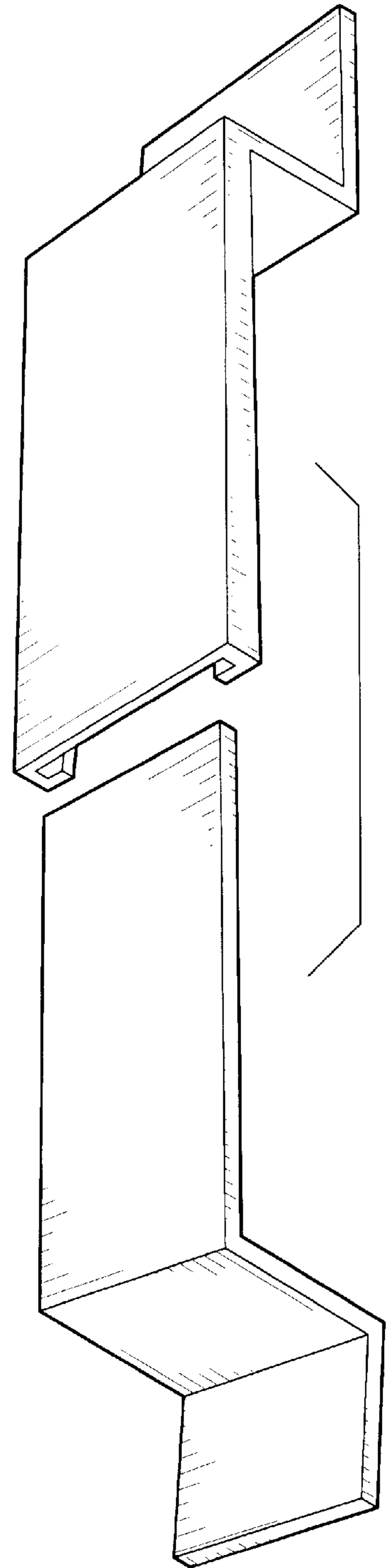


FIG. 7