



US00D418736S

United States Patent [19]

Perkins et al.

[11] Patent Number: **Des. 418,736**

[45] Date of Patent: **** Jan. 11, 2000**

[54] **HINGE**

[75] Inventors: **David Anthony Perkins**, Brighton;
Brian Ralph Perkins, Malvern; **Robert Michael Mead**, Somerville; **Jon Graham Seddon**, Surrey Hills, all of Australia

[73] Assignee: **George Fethers & Co Trading Pty Ltd**, Australia

[**] Term: **14 Years**

[21] Appl. No.: **29/101,161**

[22] Filed: **Feb. 25, 1999**

Related U.S. Application Data

[62] Division of application No. 29/072,919, Jun. 16, 1997.

Foreign Application Priority Data

Dec. 19, 1996 [AU] Australia 4328/96

[51] **LOC (7) Cl.** **08-06**

[52] **U.S. Cl.** **D8/328**

[58] **Field of Search** D8/323, 327, 328;
16/221, 252, 382, 387, DIG. 43

[56] References Cited

U.S. PATENT DOCUMENTS

D. 265,048	6/1982	Guardia	D8/328
D. 372,852	8/1996	Noll et al.	D8/328
2,268,669	1/1942	Moore .	
3,231,929	2/1966	Hiltunen et al. .	
3,613,150	10/1971	Osborn .	
5,079,798	1/1992	Burke et al.	16/252

Primary Examiner—B. J. Bullock
Attorney, Agent, or Firm—Larson & Taylor

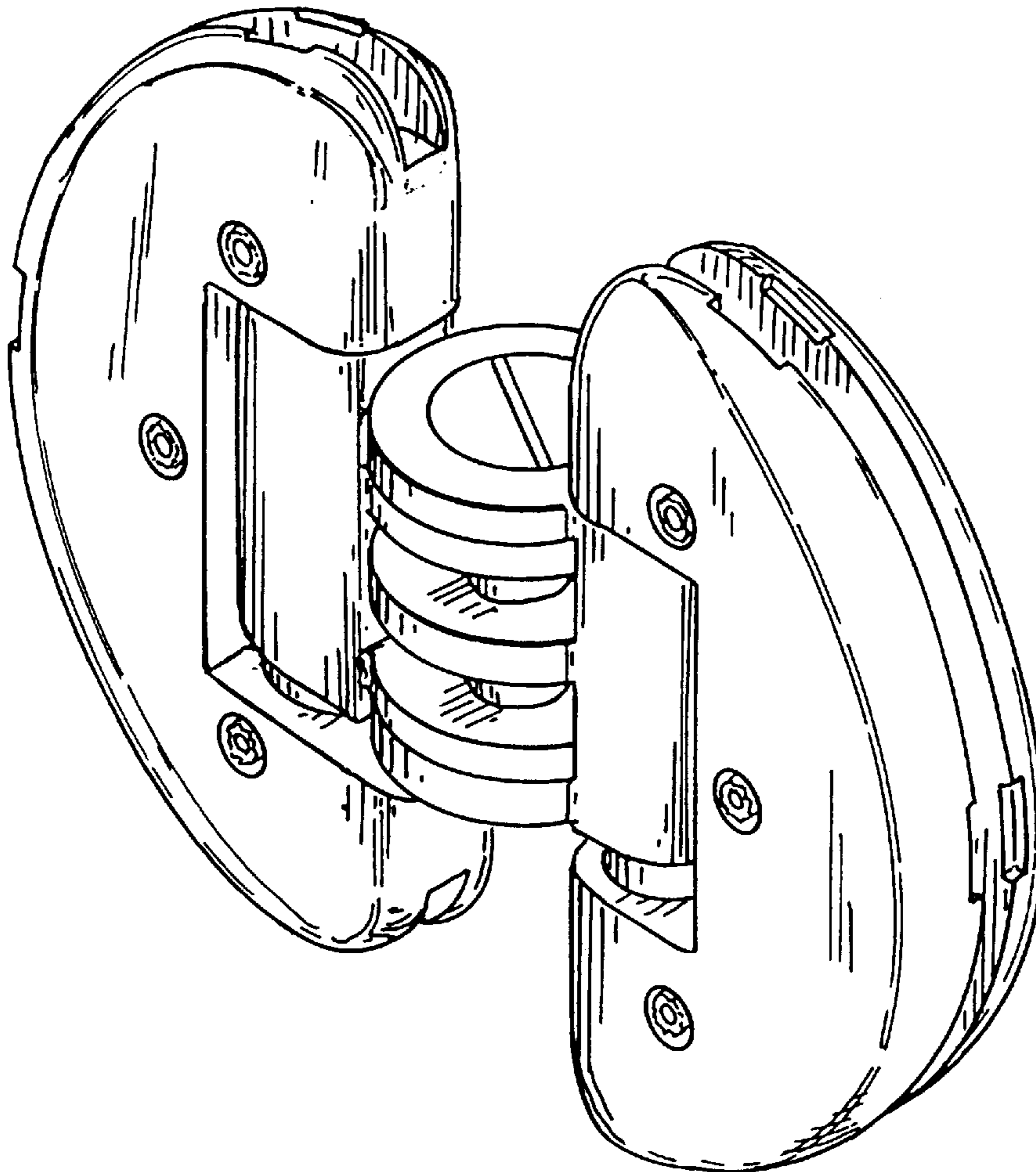
[57] CLAIM

A ornamental design for a hinge, as shown and described.

DESCRIPTION

FIG. 1 is a front view of the hinge, the opposite side being a mirror image;
FIG. 2 is a side view thereof, the two side views being identical to each other;
FIG. 3 is a top view thereof, the bottom view being a mirror image; and,
FIG. 4 is a perspective view thereof.

1 Claim, 2 Drawing Sheets



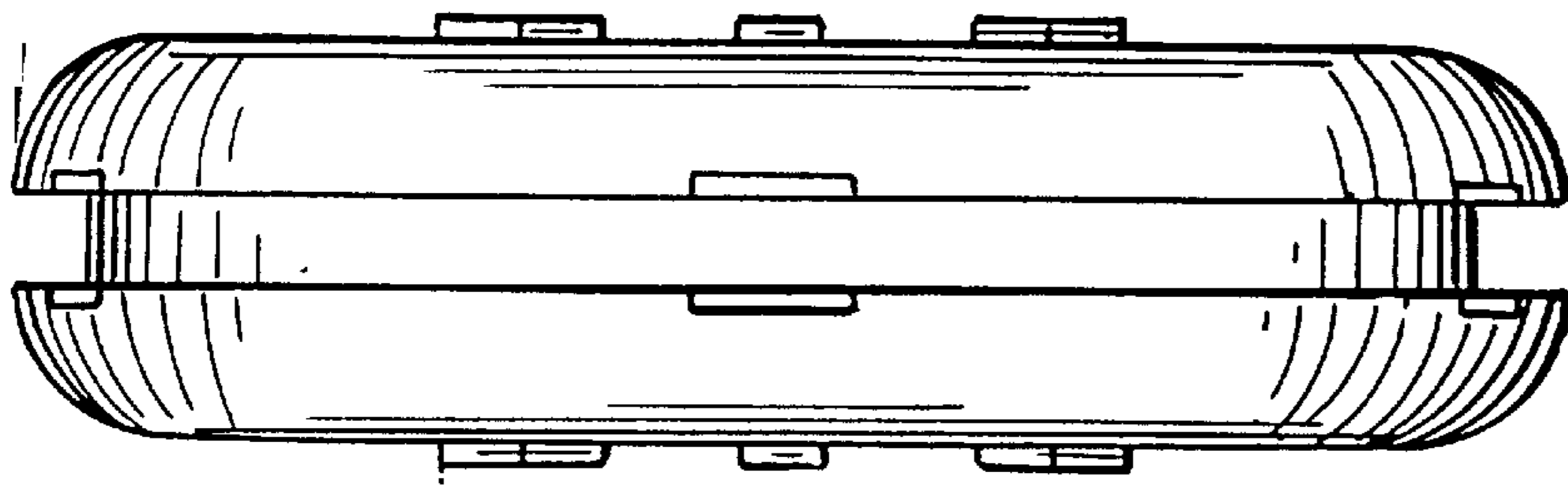


FIG. 1

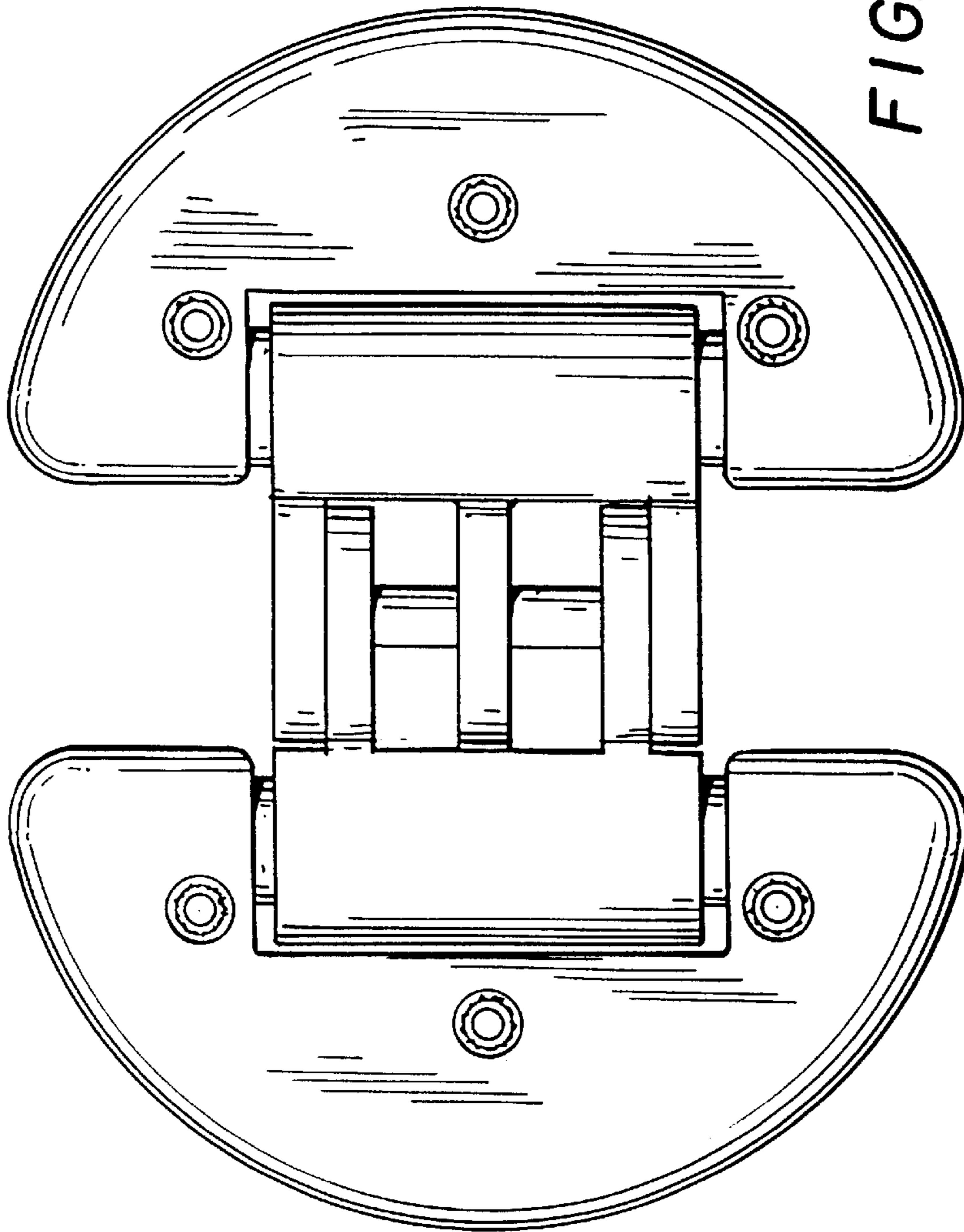


FIG. 2

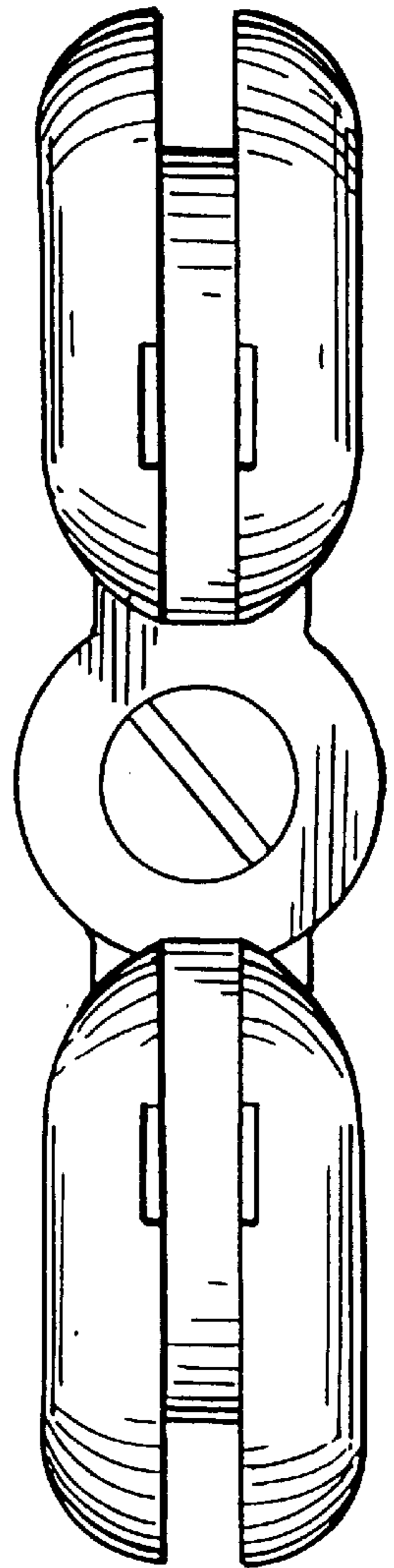


FIG. 3

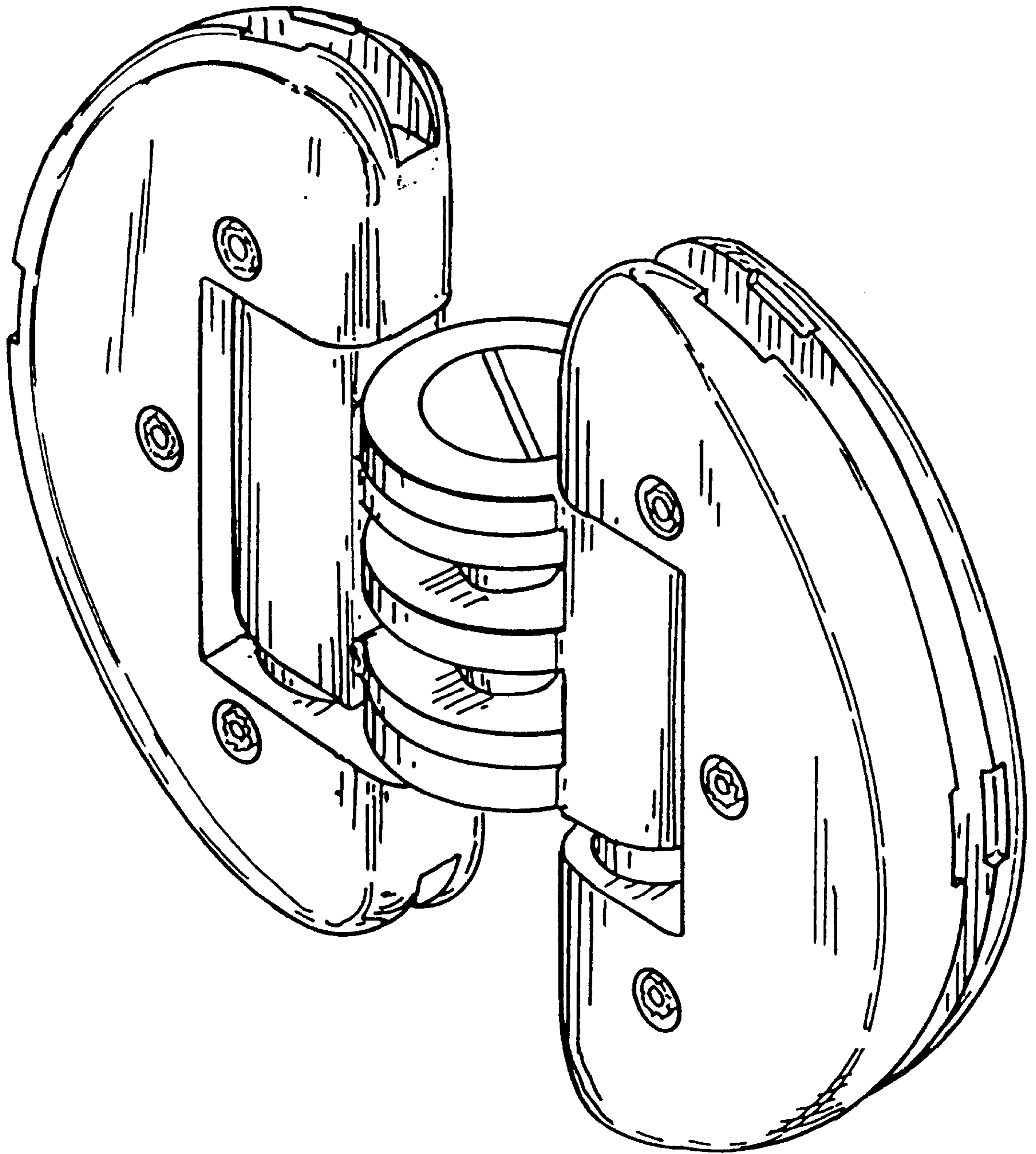


FIG. 4