



US00D418734S

# United States Patent [19]

Ritrovato et al.

[11] Patent Number: Des. 418,734

[45] Date of Patent: \*\* Jan. 11, 2000

[54] PAIR OF HANDLE GRIPS

[75] Inventors: Michael L. Ritrovato, Elizabethtown; Pamela Gabriel, Mechanicsburg, both of Pa.

[73] Assignee: True Temper Hardware Company, Camp Hill, Pa.

[\*\*] Term: 14 Years

[21] Appl. No.: 29/091,959

[22] Filed: Aug. 10, 1998

[51] LOC (7) Cl. .... 08-05

[52] U.S. Cl. .... D8/107; D8/13

[58] Field of Search ..... D8/13, 107; D32/50, D32/51, 52; 15/143.1, 144.4, 145; 56/400.17; D7/633; 74/551.9; 16/118, 121, DIG. 12

[56] References Cited

U.S. PATENT DOCUMENTS

D. 31,801	11/1899	Gardner .	
184,918	11/1876	Siddall .....	15/143.1
239,126	3/1881	Wagner .....	15/143.1
D. 257,551	11/1980	Nadle .	
296,879	4/1884	Scollay .....	15/143.1
D. 322,022	12/1991	Cunningham et al. .	
D. 388,293	12/1997	Haver et al. .	
738,250	9/1903	Stanley .....	16/DIG. 12
876,747	1/1908	Thurmond .	
1,333,559	3/1920	Moulton .	
1,498,066	6/1924	Barth .	
1,609,414	12/1926	Lenny .....	15/143.1
1,980,655	11/1934	Balistreri .....	15/143.1
1,983,815	12/1934	Schmiett .	
2,192,399	3/1940	Downes .	
2,237,969	4/1941	Olsen .....	15/143.1
3,596,358	8/1971	Andersson .	
3,981,043	9/1976	Curry .	
4,203,210	5/1980	Hadlick, Jr. .	
4,396,214	8/1983	Lesche .	
4,768,406	9/1988	Fitzwater .	
5,310,231	5/1994	Burkhart .	

5,348,360	9/1994	Mencarelli et al. .
5,390,746	2/1995	Page .
5,409,212	4/1995	Arnett .
5,641,237	6/1997	Albert et al. .

FOREIGN PATENT DOCUMENTS

353919	2/1990	European Pat. Off. .
2301340	9/1976	France .
641210	1/1937	Germany .
279998	11/1927	United Kingdom .
314247	6/1929	United Kingdom .
330961	6/1930	United Kingdom .
564124	9/1944	United Kingdom .
564450	9/1944	United Kingdom .
620370	3/1949	United Kingdom .
896742	5/1962	United Kingdom .
910403	11/1962	United Kingdom .
1327222	8/1973	United Kingdom .
1507773	4/1978	United Kingdom .
2071809	9/1981	United Kingdom .
2095362	9/1982	United Kingdom .
WO 91/17647	11/1991	WIPO .

Primary Examiner—Alan P. Douglas  
Assistant Examiner—Reid Hecker  
Attorney, Agent, or Firm—Eckert Seamans Cherin & Mellott, LLC

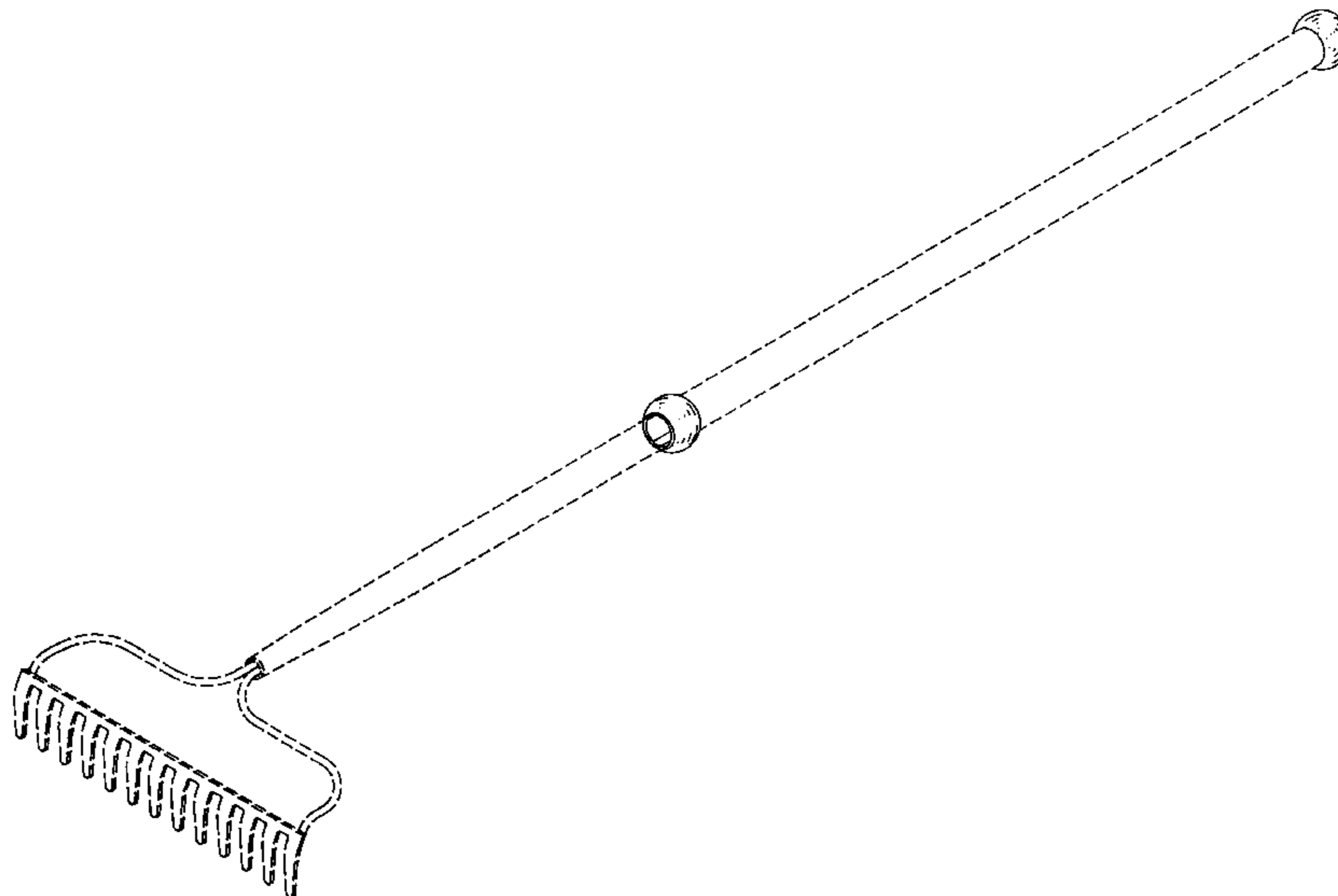
[57] CLAIM

The ornamental design for a pair of handle grips, as shown and described.

DESCRIPTION

FIG. 1 is an isometric view of the pair of handle grips according to a preferred embodiment of the invention; FIG. 2 is a top plan view of the pair of handle grips; FIG. 3 is a bottom plan view of the pair of handle grips; FIG. 4 is a right edge on side view of the pair of handle grips; and, FIG. 5 is a left edge on side view of the pair of handle grips. The broken line showing of environmental structure is for illustrative purposes only and forms no part of the claimed design.

1 Claim, 2 Drawing Sheets



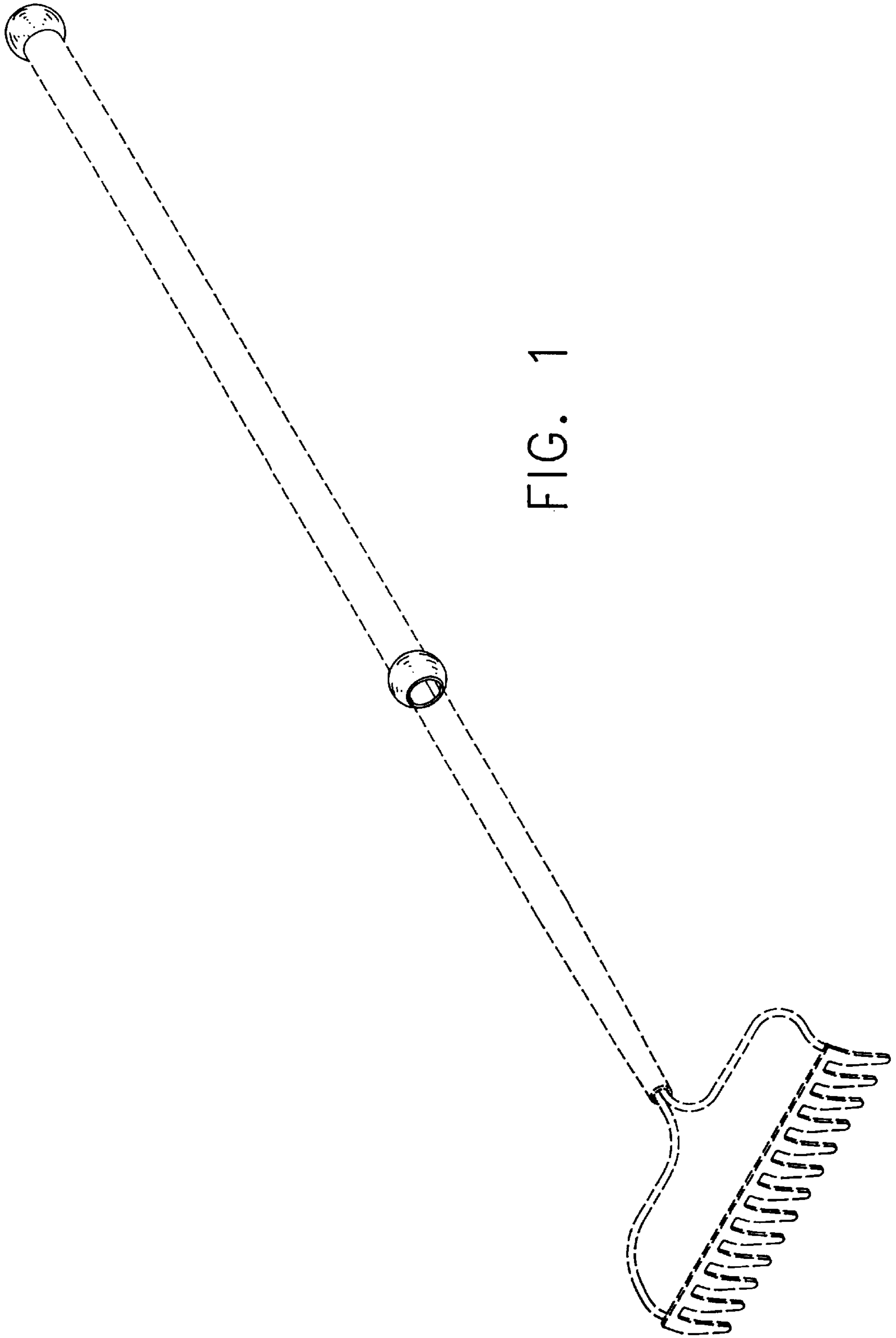


FIG. 1

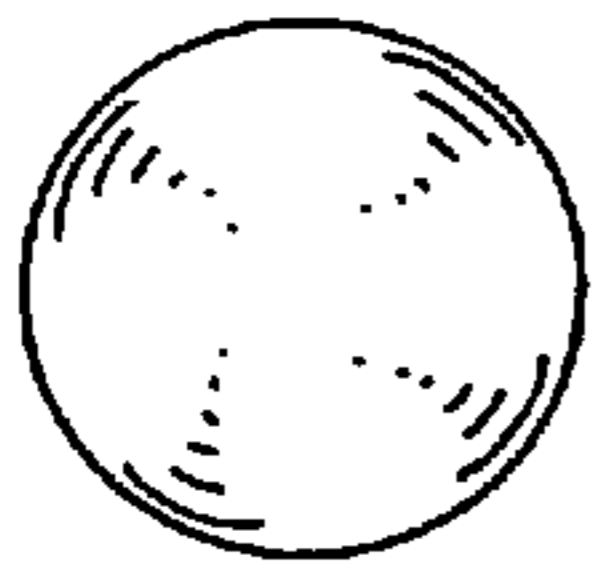


FIG. 2

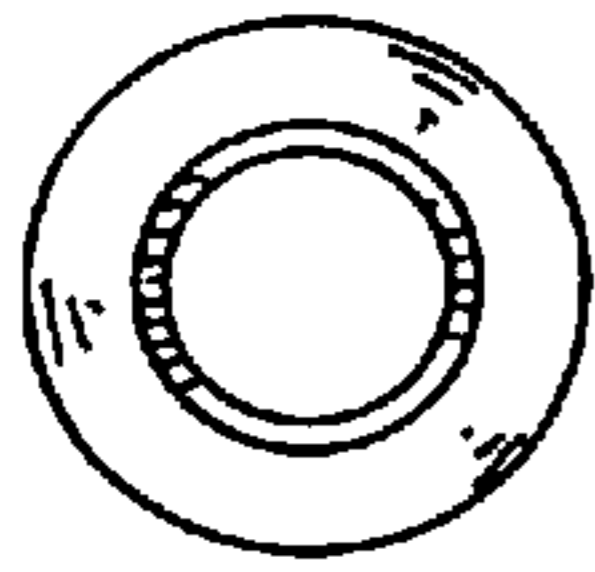


FIG. 3

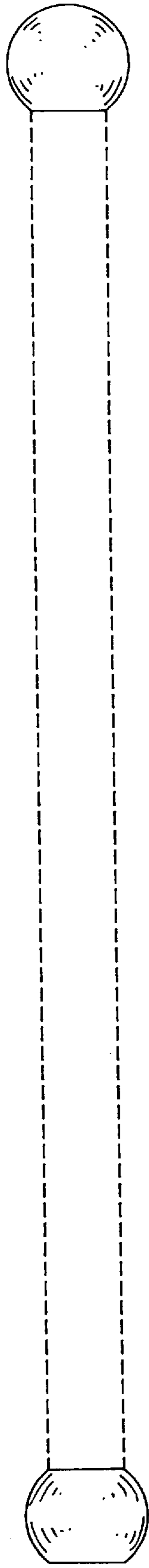


FIG. 4

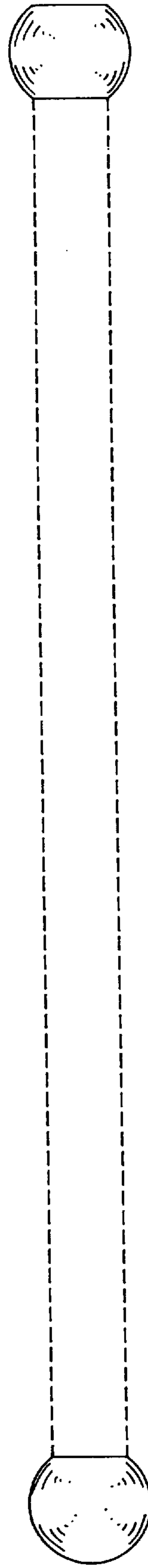


FIG. 5