



US00D418728S

United States Patent [19]

Kalina et al.

[11] Patent Number: **Des. 418,728**

[45] Date of Patent: **** Jan. 11, 2000**

[54] **CAN OPENER**

[75] Inventors: **Lawrence A. Kalina**, Eau Claire;
Matthew J. DeWitte, Altoona; **Brent W. Dressel**, Elk Mound, all of Wis.

[73] Assignee: **National Presto Industries, Inc.**, Eau Claire, Wis.

[**] Term: **14 Years**

[21] Appl. No.: **29/106,567**

[22] Filed: **Jun. 15, 1999**

[51] **LOC (7) Cl.** **07-99**

[52] **U.S. Cl.** **D8/35; D8/36**

[58] **Field of Search** **D8/33-43, 18, D8/19; 30/400-443; 81/3.07-3.49; 7/151-156**

[56] **References Cited**

U.S. PATENT DOCUMENTS

D. 182,006	1/1958	Talge	D8/35
D. 317,552	6/1991	McCloskey et al.	D8/36
D. 318,603	7/1991	Hatle et al.	D8/35

D. 387,641	12/1997	Naft et al.	D8/35
D. 407,614	4/1999	Levin et al.	D8/34
D. 412,651	8/1999	Conrado et al.	D8/36
3,018,549	1/1962	Spielman	30/404
4,520,567	6/1985	Crawford	30/424
5,666,735	9/1997	Kosten et al.	30/410

Primary Examiner—Jeffrey Asch
Attorney, Agent, or Firm—Merchant & Gould P.C.

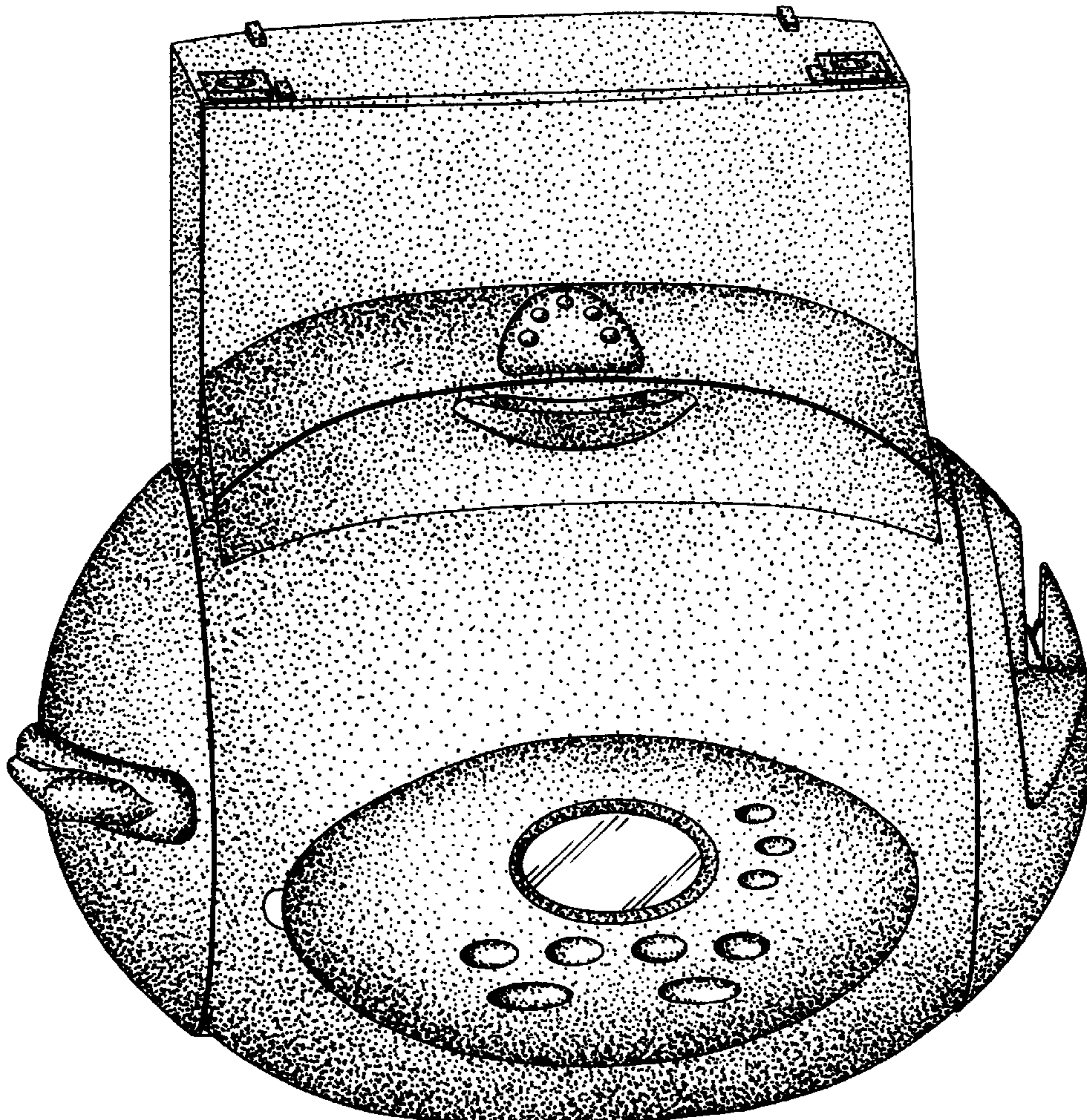
[57] **CLAIM**

The ornamental design for a can opener, as shown and described.

DESCRIPTION

FIG. 1 is a perspective view of a can opener showing our new design;
FIG. 2 is a front elevational view thereof;
FIG. 3 is a back elevational view thereof;
FIG. 4 is a top plan view thereof;
FIG. 5 is a bottom plan view thereof;
FIG. 6 is a left elevational side view thereof; and,
FIG. 7 is a right elevational side view thereof.

1 Claim, 7 Drawing Sheets



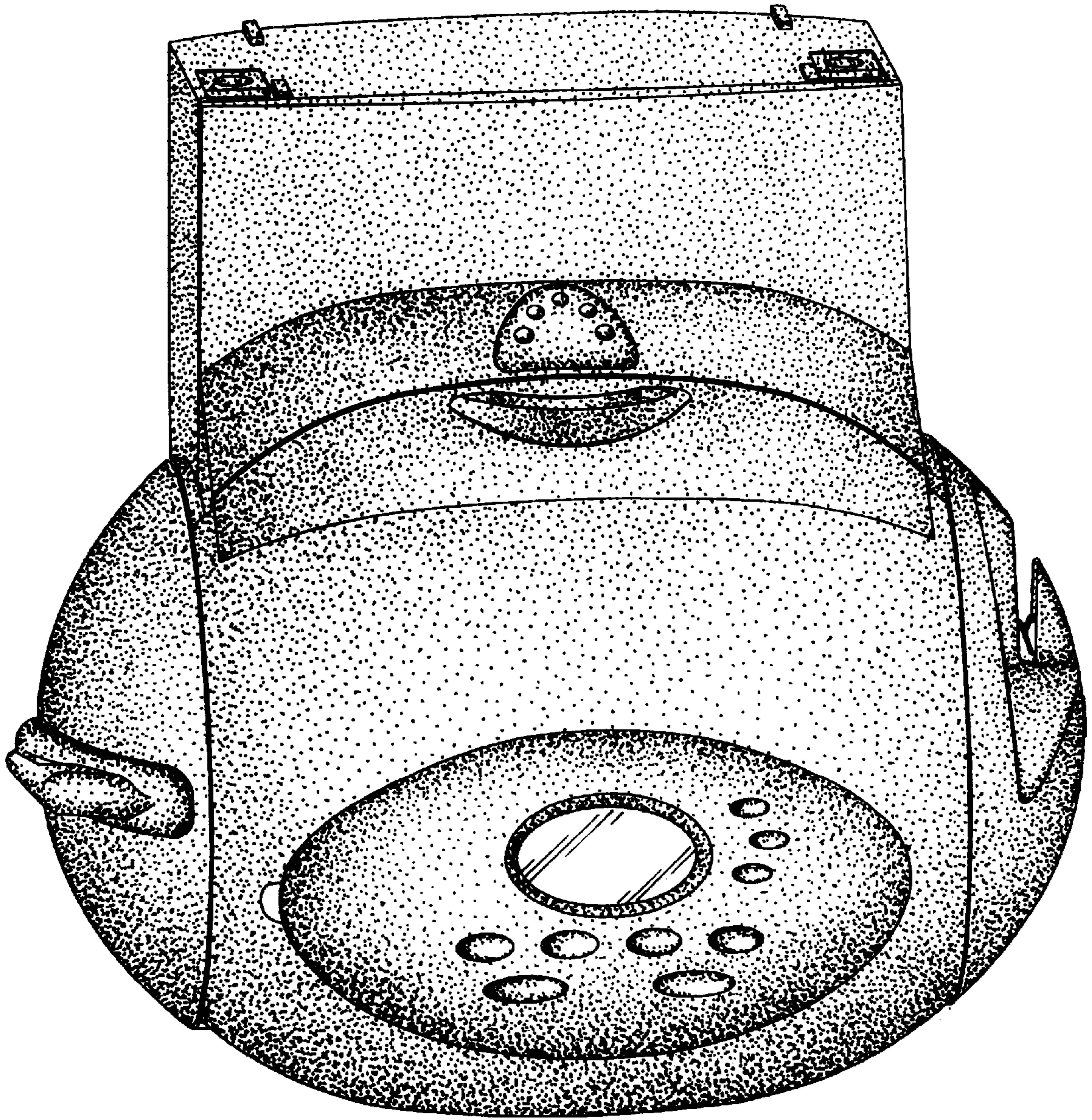


FIG. 1

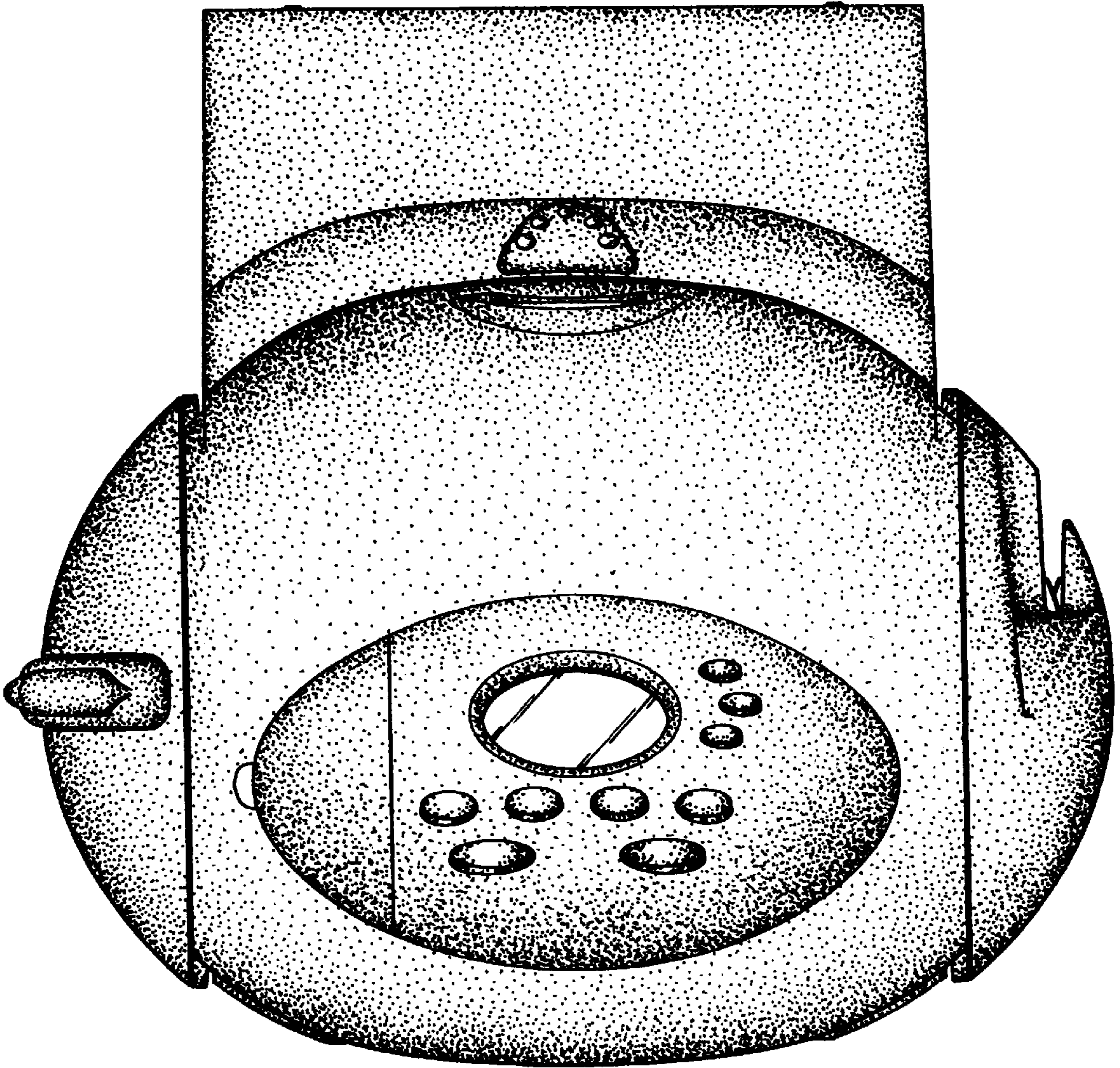


FIG. 2

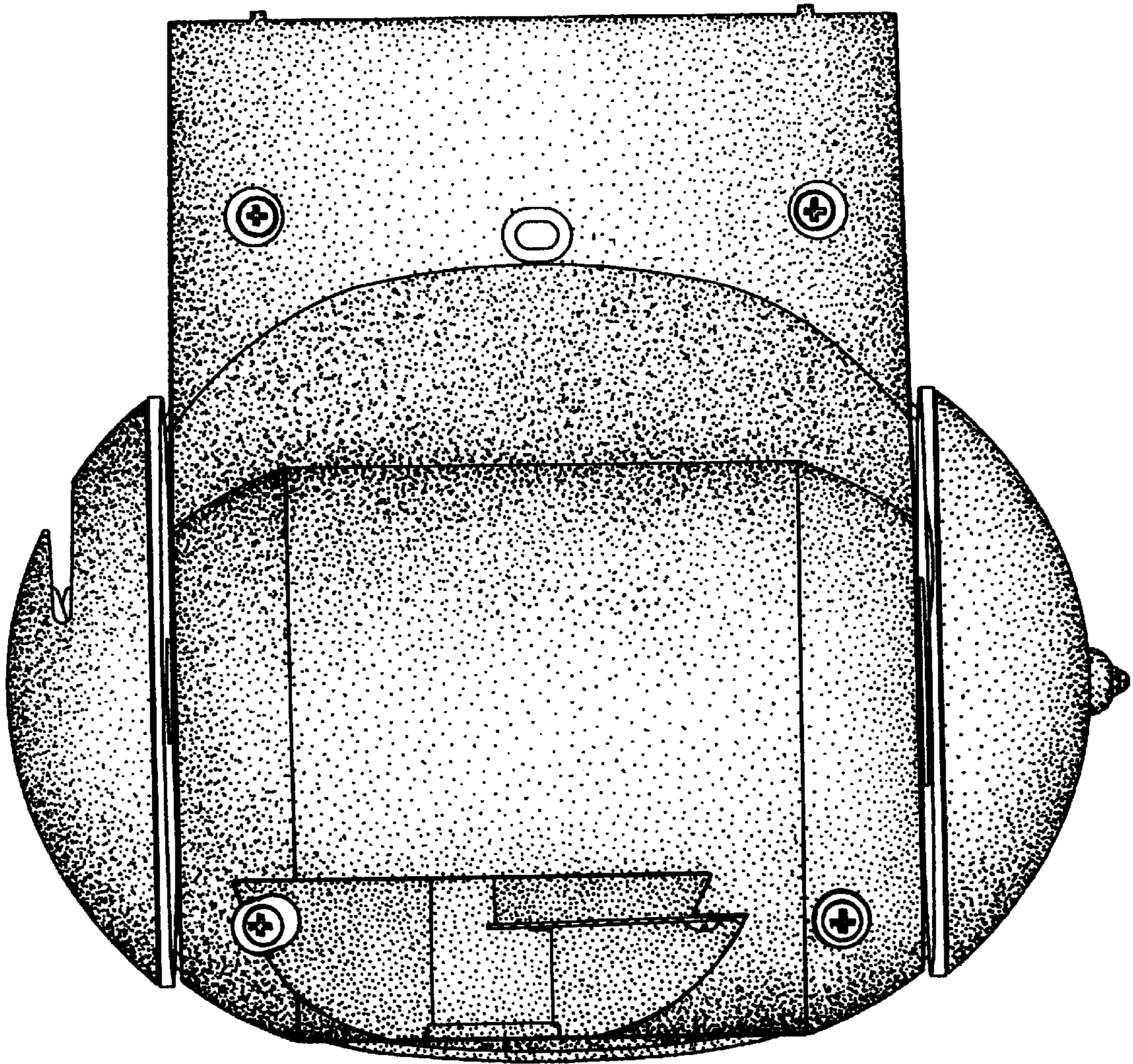


FIG. 3

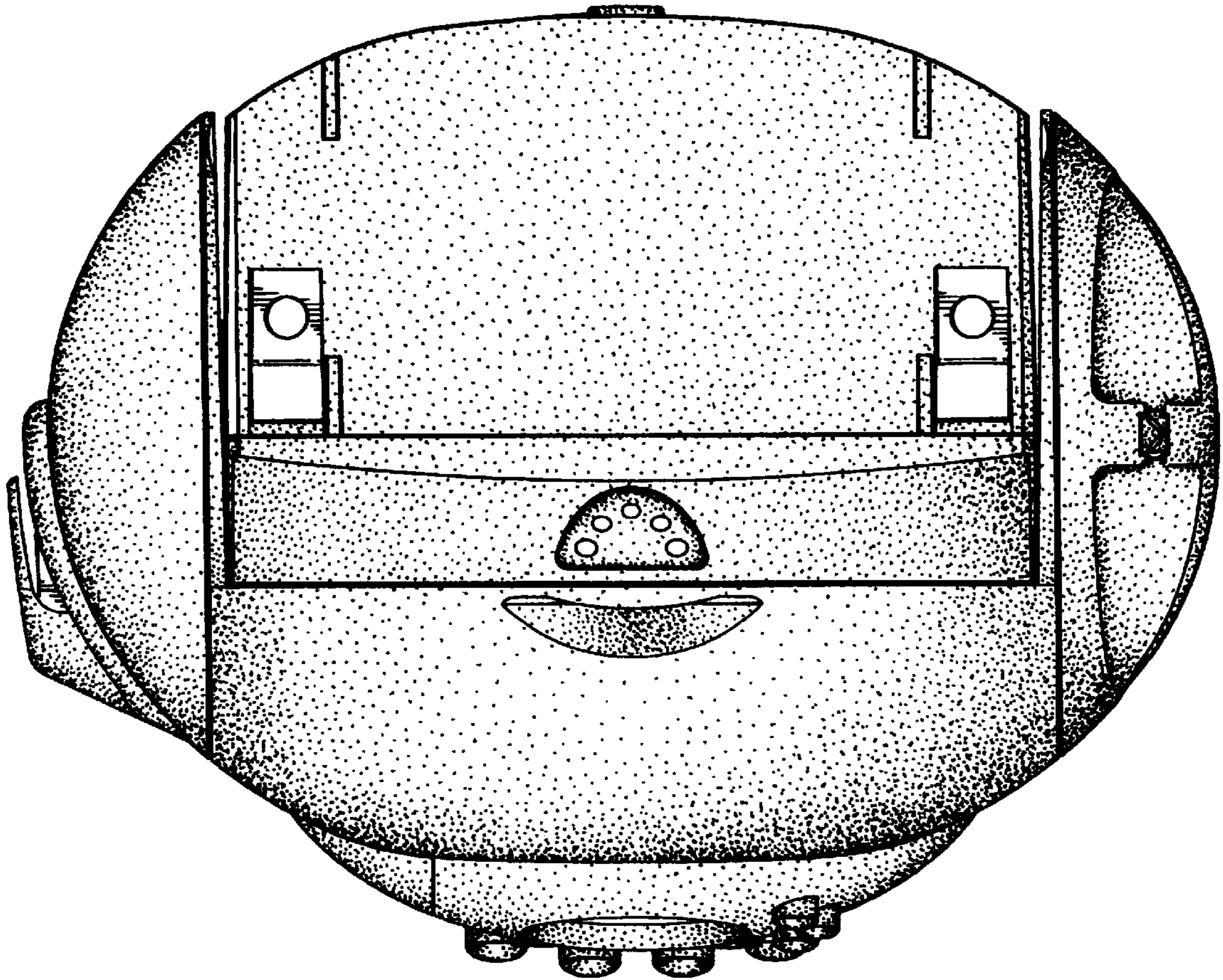


FIG. 4

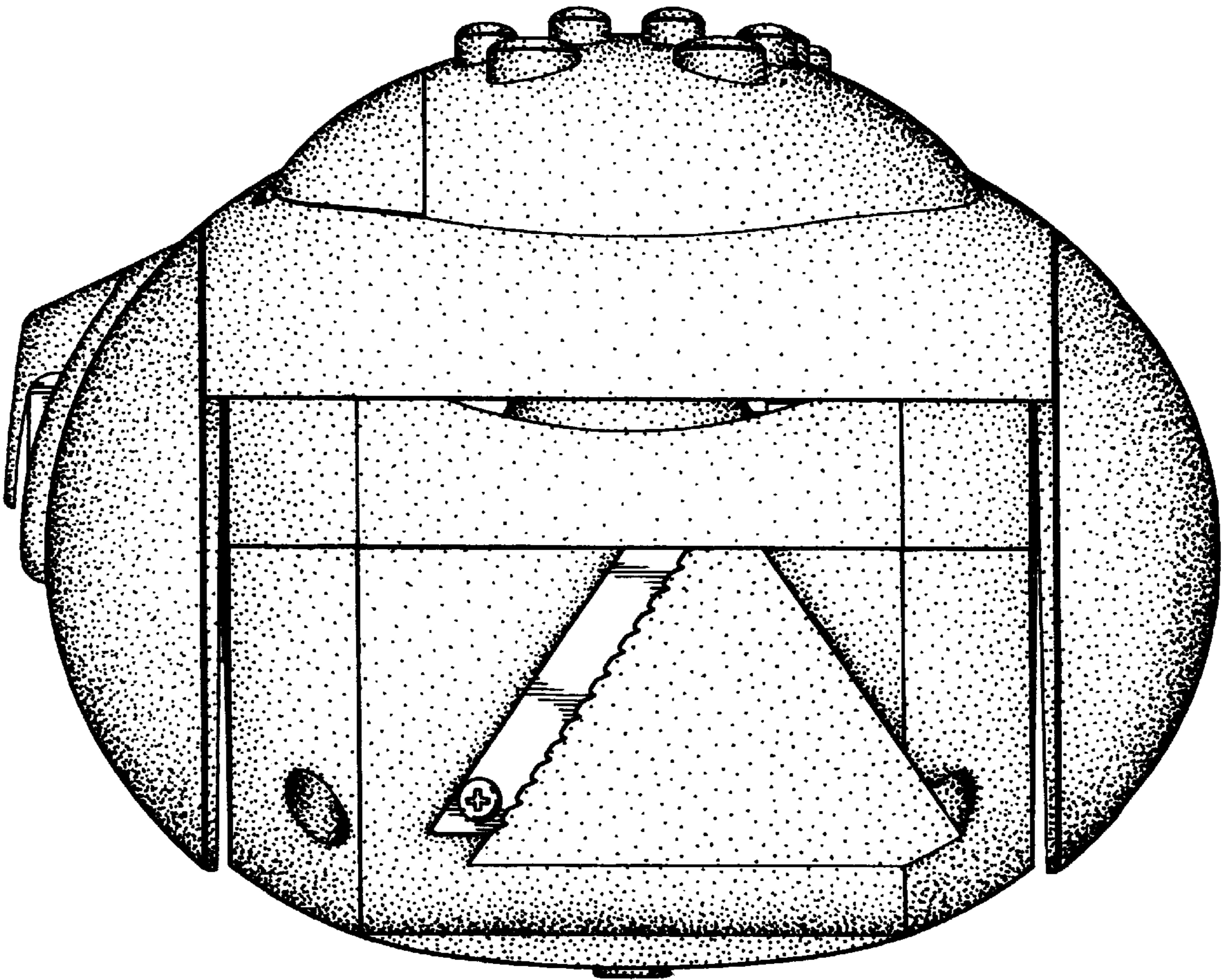


FIG. 5

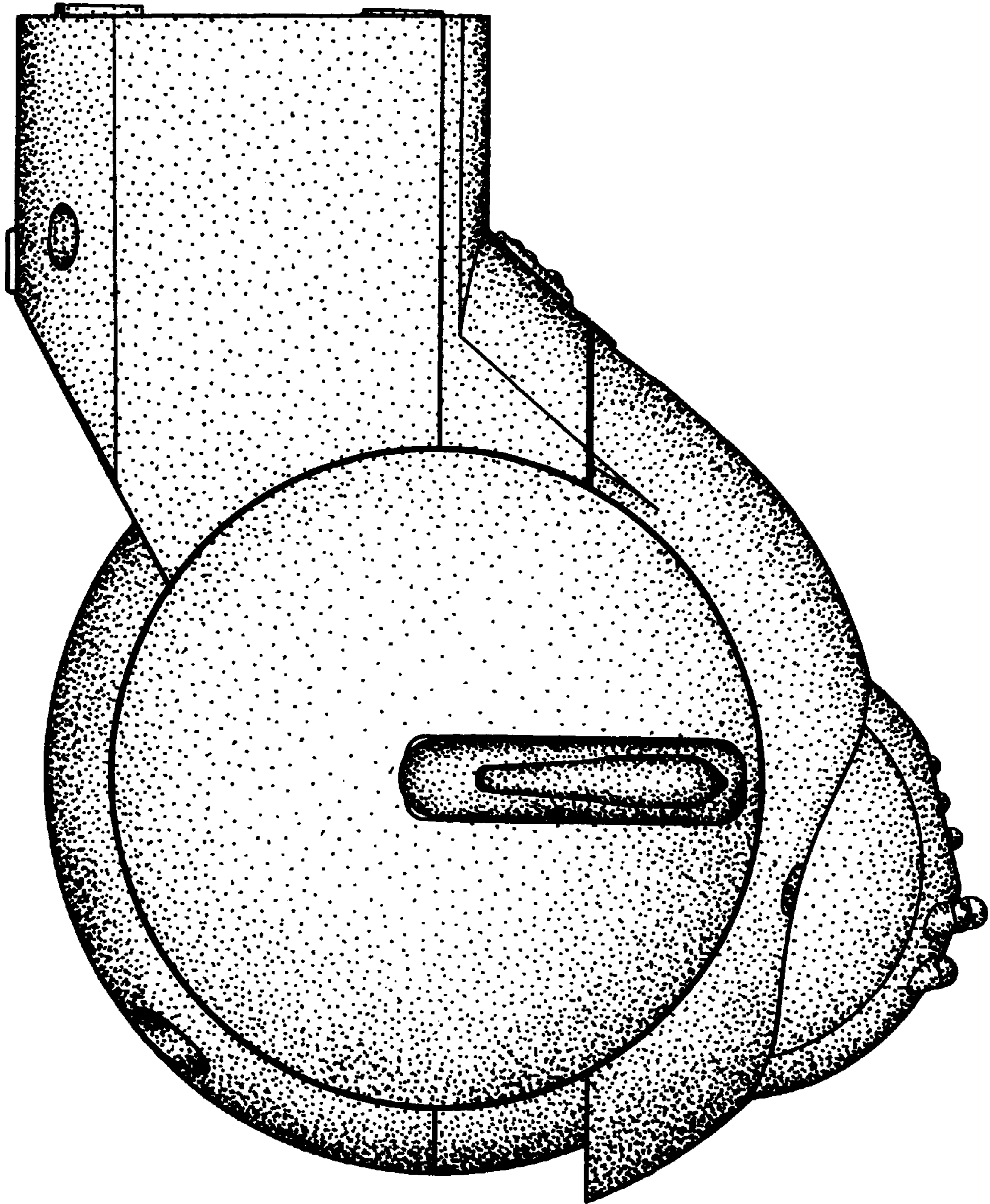


FIG. 6

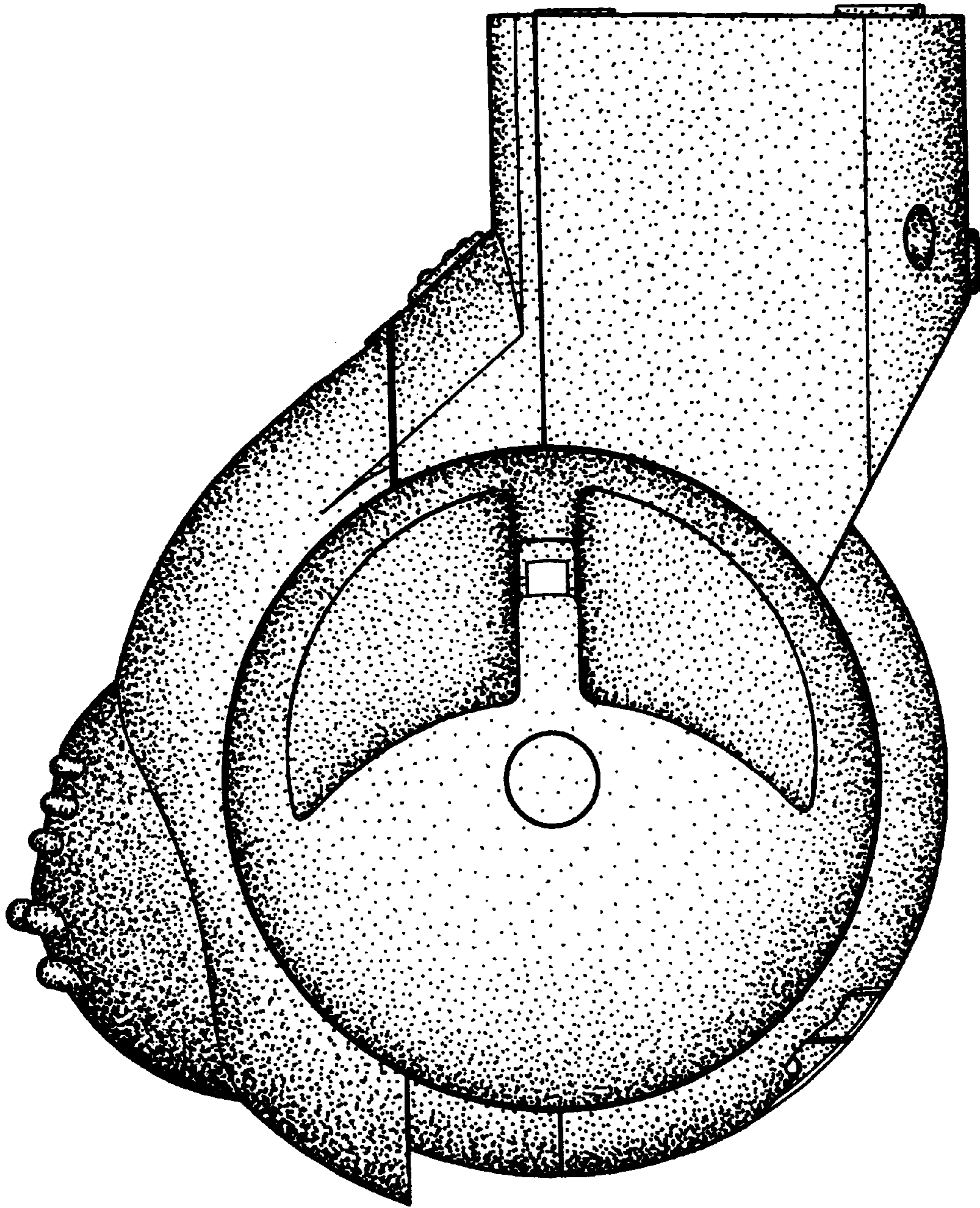


FIG. 7