



US00D418726S

United States Patent [19]

White, Jr.

[11] **Patent Number: Des. 418,726**

[45] **Date of Patent: ** Jan. 11, 2000**

[54] **STALL FORK**

[76] **Inventor: Houston R. White, Jr., 15225 E. Riggs Rd., Chandler, Ariz. 85249**

[**] **Term: 14 Years**

[21] **Appl. No.: 29/100,965**

[22] **Filed: Feb. 19, 1999**

[51] **LOC (7) Cl. 08-01**

[52] **U.S. Cl. D8/13**

[58] **Field of Search D8/1, 2, 7-13; 294/49, 50, 50.5, 52, 55.5**

[56] **References Cited**

U.S. PATENT DOCUMENTS

D. 219,884	2/1971	Patton	D8/13
D. 292,261	10/1987	Mitton	D8/13
D. 403,133	12/1998	Bowell et al.	D8/13
D. 406,413	3/1999	Russo	D8/13
3,105,348	10/1963	Vosbikian et al.	294/50.5

OTHER PUBLICATIONS

State Line Tack Western; "Coupling Flyer Sale"; Jan. 15, 1998; p. 26.

Primary Examiner—Robin V. Taylor
Attorney, Agent, or Firm—Meschkow & Gresham, P.L.C.; Lowell W. Gresham; Jordan M. Meschkow

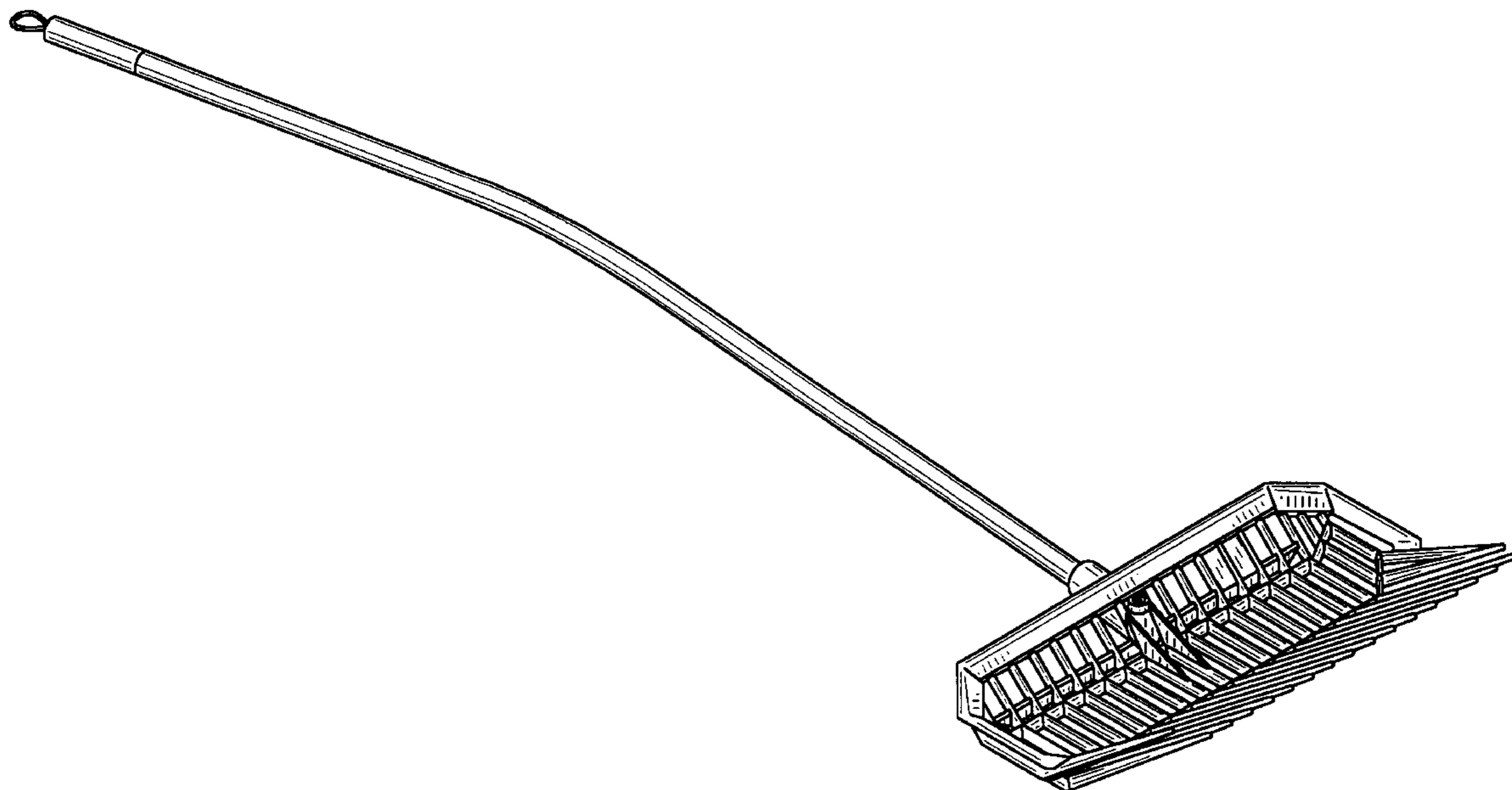
[57] **CLAIM**

The ornamental design for a stall fork, as shown and described.

DESCRIPTION

FIG. 1 is a perspective view of a stall fork, showing my new design therefor;
FIG. 2 is a top plan view;
FIG. 3 is a bottom plan view;
FIG. 4 is a left side elevation view, it being understood that a right side elevation view would be a mirror image of this left side elevation view;
FIG. 5 is a back side elevation view; and,
FIG. 6 is a front side elevation view.

1 Claim, 3 Drawing Sheets



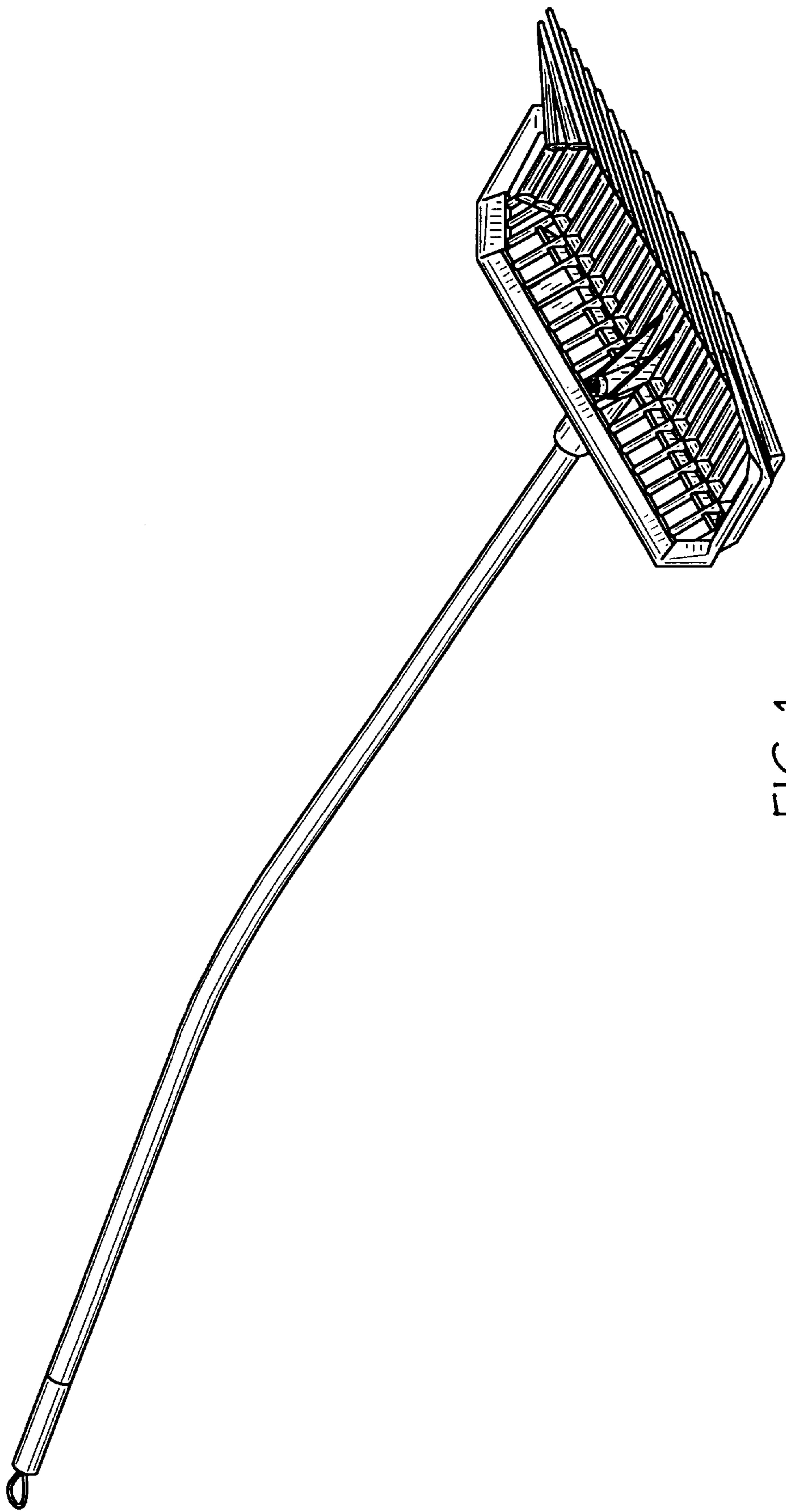


FIG. 1

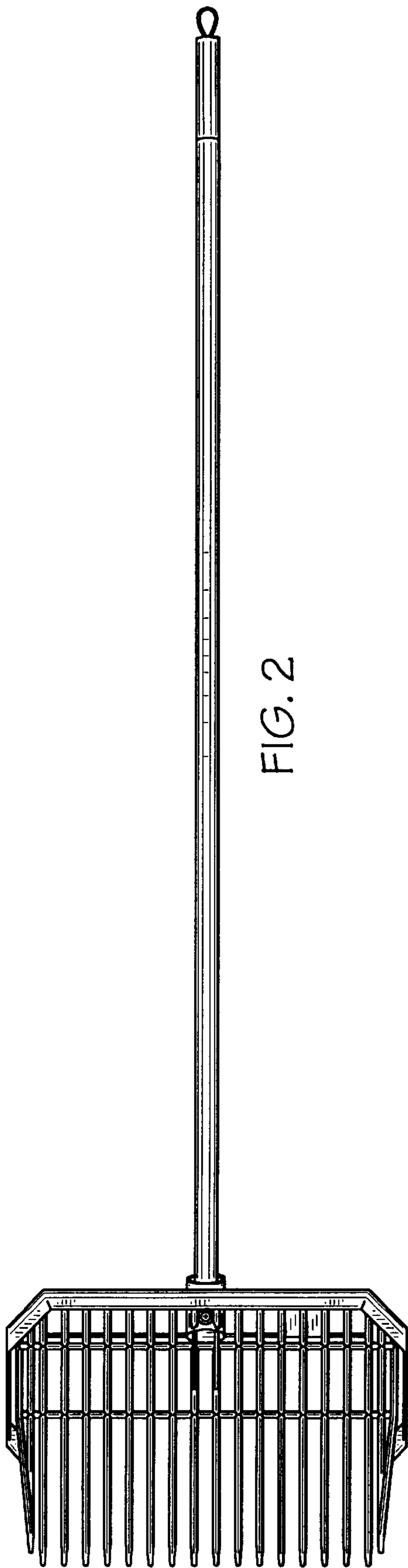


FIG. 2

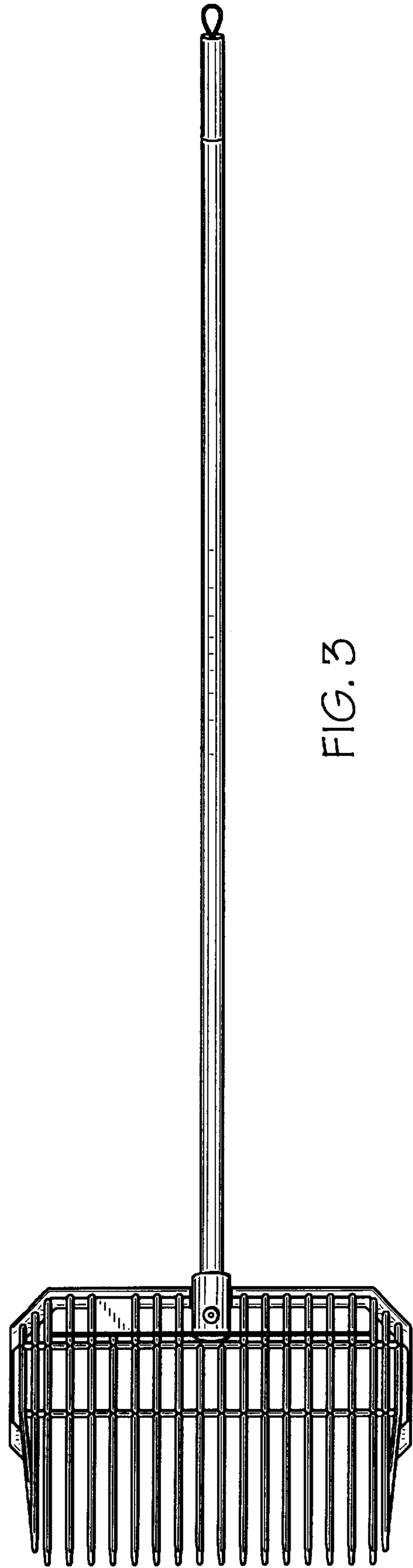


FIG. 3

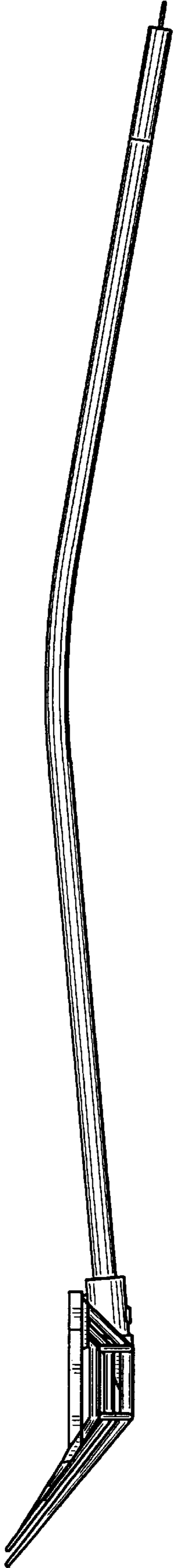


FIG. 4

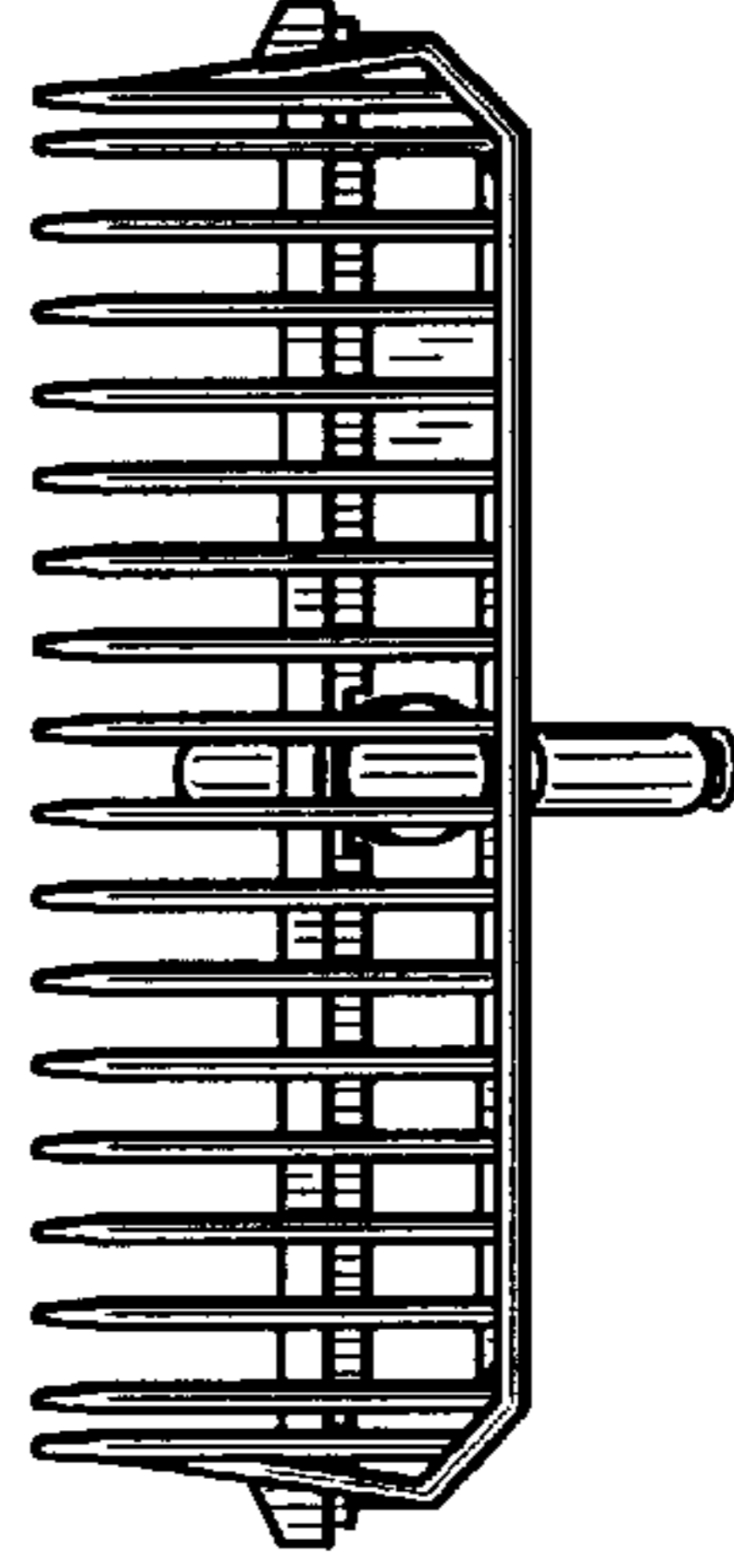


FIG. 6

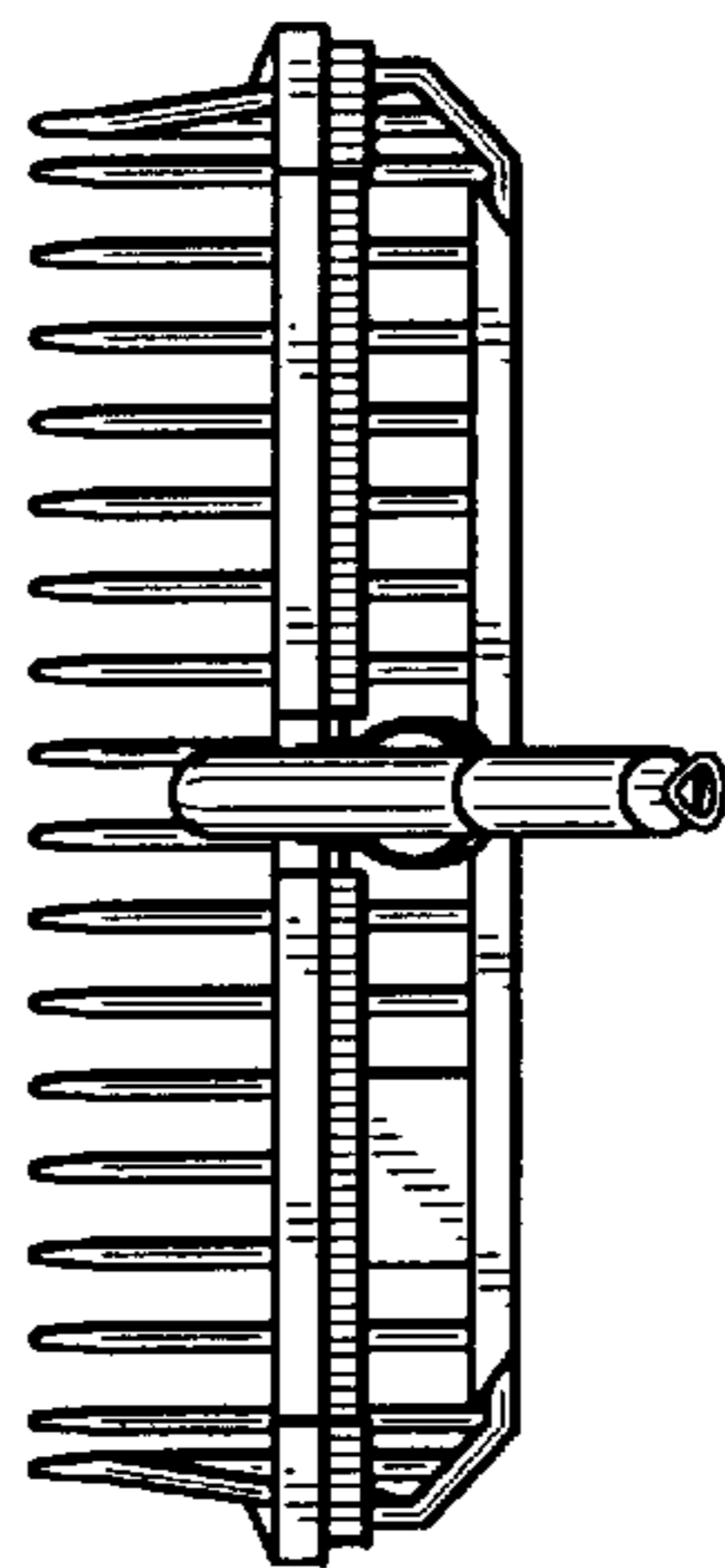


FIG. 5