



US00D418725S

United States Patent [19] Evans

[11] **Patent Number: Des. 418,725**

[45] **Date of Patent: ** Jan. 11, 2000**

[54] **PLANT CLIP**

4,557,024 12/1985 Roberts et al. 24/505

[76] Inventor: **Donald L. Evans**, 1405 Huntington Cir., Reno, Nev. 89509

Primary Examiner—Robin V. Taylor
Attorney, Agent, or Firm—Ian F. Burns

[**] Term: **14 Years**

[57] **CLAIM**

[21] Appl. No.: **29/100,408**

I claim the ornamental design for a plant clip, as shown and described.

[22] Filed: **Feb. 10, 1999**

DESCRIPTION

[51] **LOC (7) Cl.** **08-01**

[52] **U.S. Cl.** **D8/1**

[58] **Field of Search** D8/1, 394, 395,
D8/396; 47/42-44; 24/505, 518

FIG. 1 is a perspective view of the plant clip in a closed position in use with a plant and a support wire.

FIG. 2 is a front elevational view of the plant clip.

FIG. 3 is a rear elevational view of the plant clip.

FIG. 4 is a left side elevational view of the plant clip.

FIG. 5 is a right side elevational view of the plant clip; and,

FIG. 6 is a top plan view of the plant clip in an open position, the bottom plan view being a mirror image.

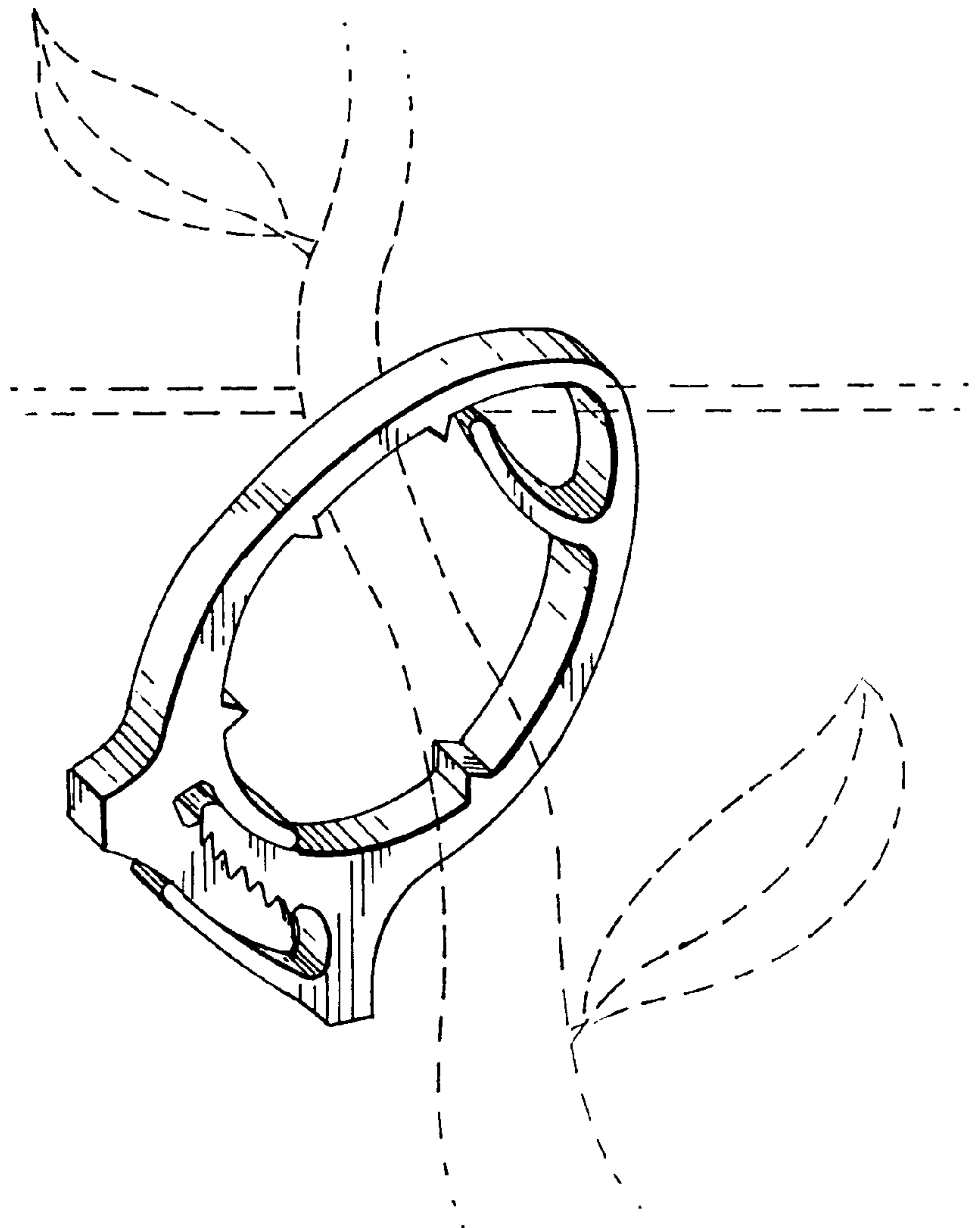
Broken lines illustrate features or environmental components that are not part of the design sought to be patented.

[56] **References Cited**

U.S. PATENT DOCUMENTS

| | | | | |
|------------|---------|----------|-------|--------|
| D. 239,086 | 3/1976 | Piatti | | D8/394 |
| D. 319,298 | 8/1991 | Due | | D8/396 |
| D. 379,575 | 6/1997 | Atkins | | D8/1 |
| D. 400,782 | 11/1998 | Nakamura | | D8/1 |
| 3,494,072 | 2/1970 | Olson | | 47/44 |

1 Claim, 1 Drawing Sheet



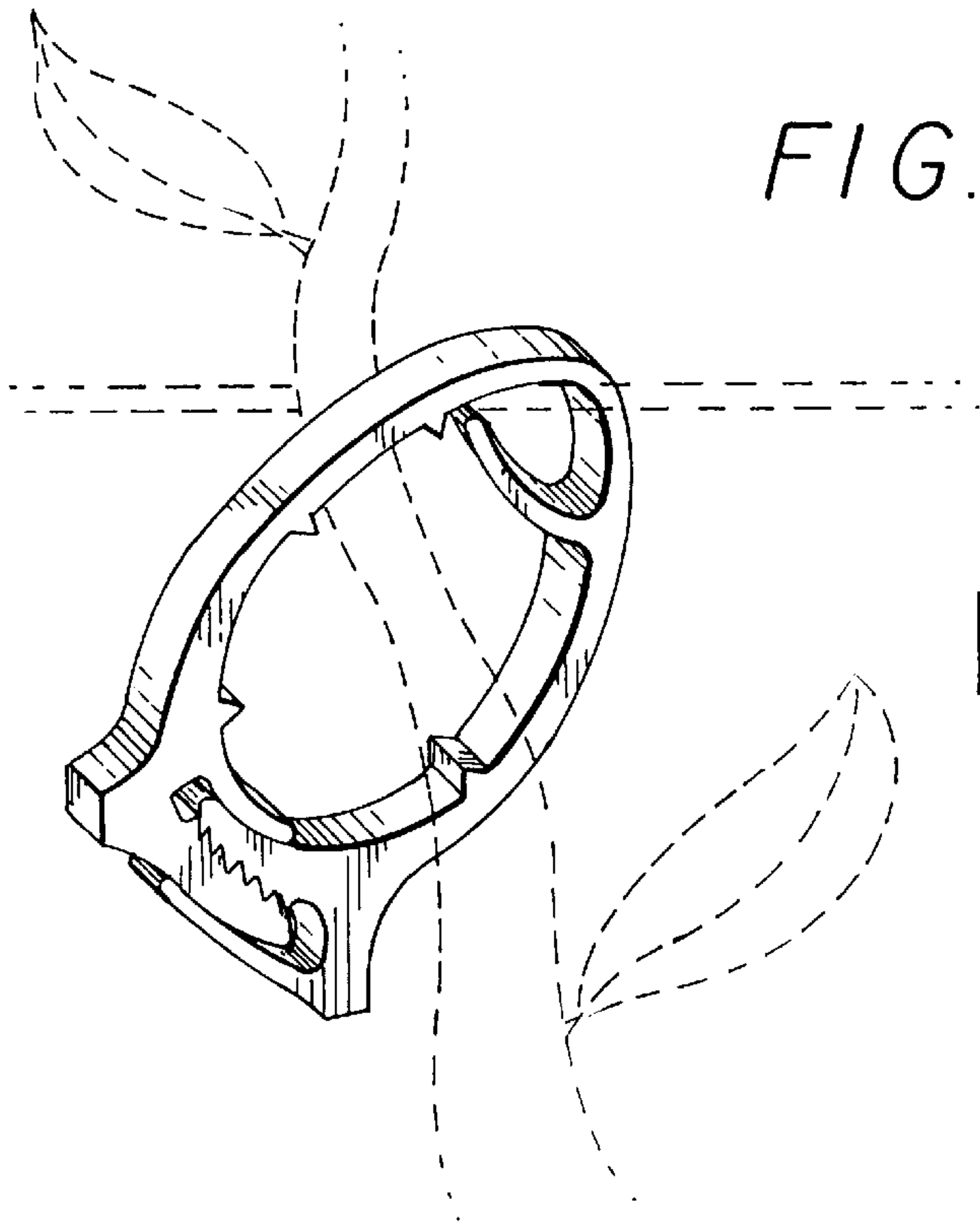


FIG. 1



FIG. 2



FIG. 3



FIG. 4



FIG. 5

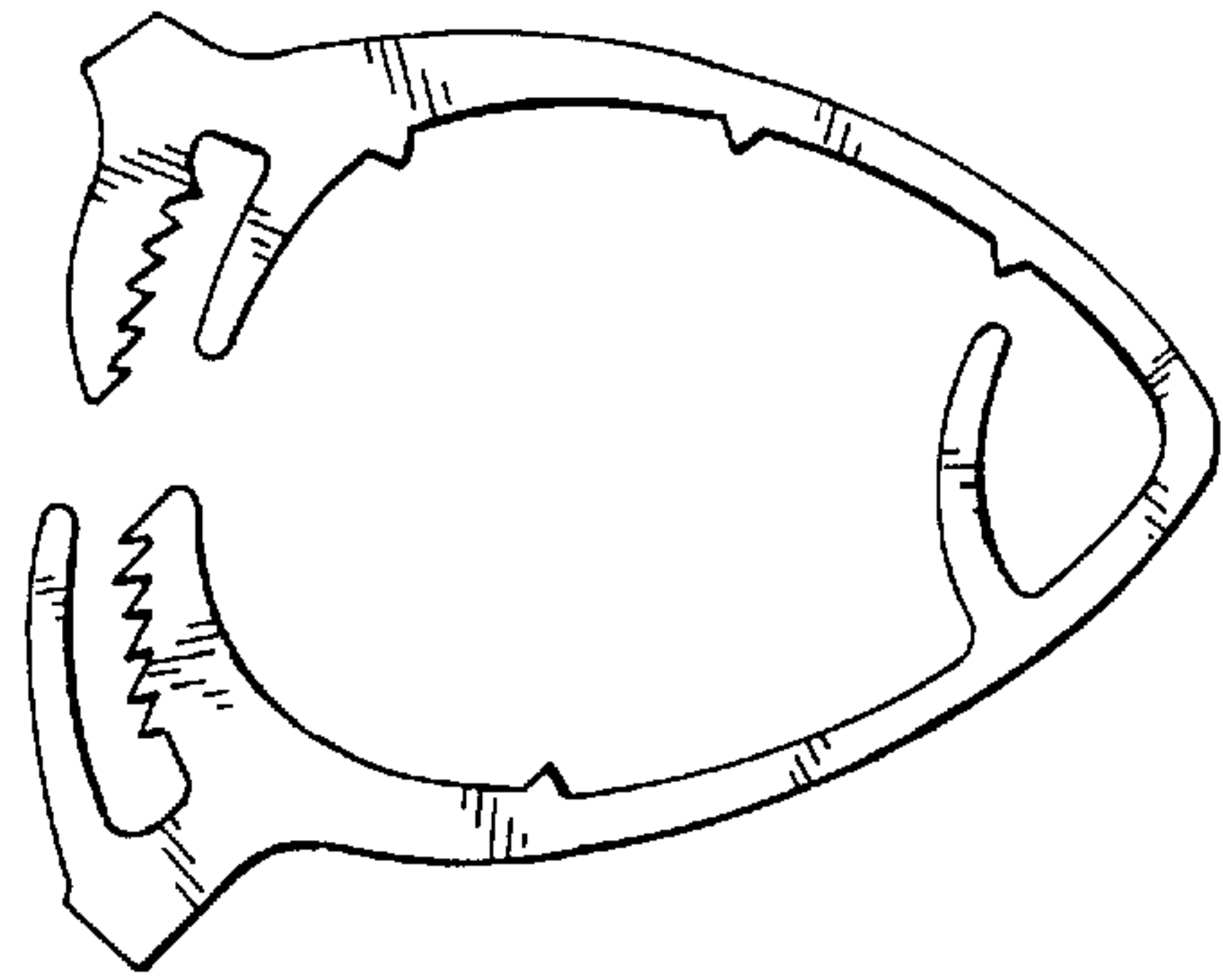


FIG. 6