



US00D418719S

United States Patent [19]

Lillelund et al.

[11] **Patent Number: Des. 418,719**

[45] **Date of Patent: ** Jan. 11, 2000**

[54] **COMPARTMENTALIZED TRAY FOR
CONDIMENT CONTAINERS**

[75] Inventors: **Stig Lillelund**, Gentofte; **Jakob Heiberg**, Charlottenlund; **Hanne Dalsgaard Jeppesen**, Holte, all of Denmark

[73] Assignee: **Dart Industries Inc.**, Orlando, Fla.

[**] Term: **14 Years**

[21] Appl. No.: **29/097,260**

[22] Filed: **Dec. 2, 1998**

[51] **LOC (7) Cl.** **07-01**

[52] **U.S. Cl.** **D7/600**

[58] **Field of Search** D7/590, 600, 550-557,
D7/701, 705-708; 206/372, 562; 211/71,
74, 126; 220/507

[56] **References Cited**

U.S. PATENT DOCUMENTS

D. 129,633 9/1941 Bowers D7/600

D. 214,333 6/1969 Swett .
D. 216,145 11/1969 Swett et al. D7/600
D. 257,201 10/1980 Croyle et al. .
D. 278,501 4/1985 Wolff .
D. 330,486 10/1992 DeCoster D7/600

Primary Examiner—Terry A. Wallace
Attorney, Agent, or Firm—Taylor J. Ross

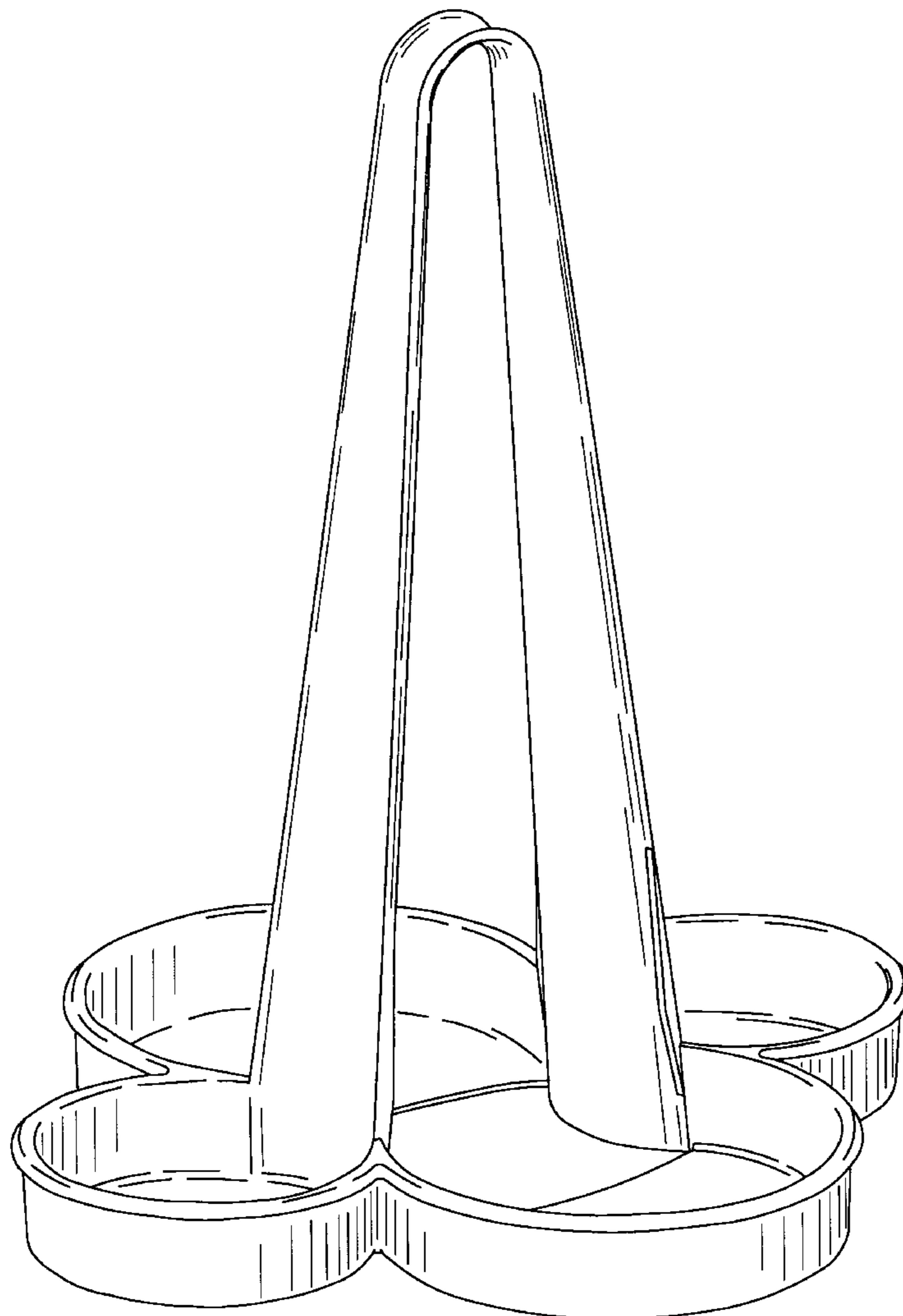
[57] **CLAIM**

The ornamental design for a compartmentalized tray for condiment containers, as shown and described.

DESCRIPTION

FIG. 1 is a top, side and front perspective view of a compartmentalized tray for condiment containers showing the new design;
FIG. 2 is a front elevation view thereof, the rear elevation being identical;
FIG. 3 is a right side elevation view thereof, the left side elevation being identical;
FIG. 4 is a top plan view thereof; and,
FIG. 5 is a bottom plan view thereof.

1 Claim, 5 Drawing Sheets



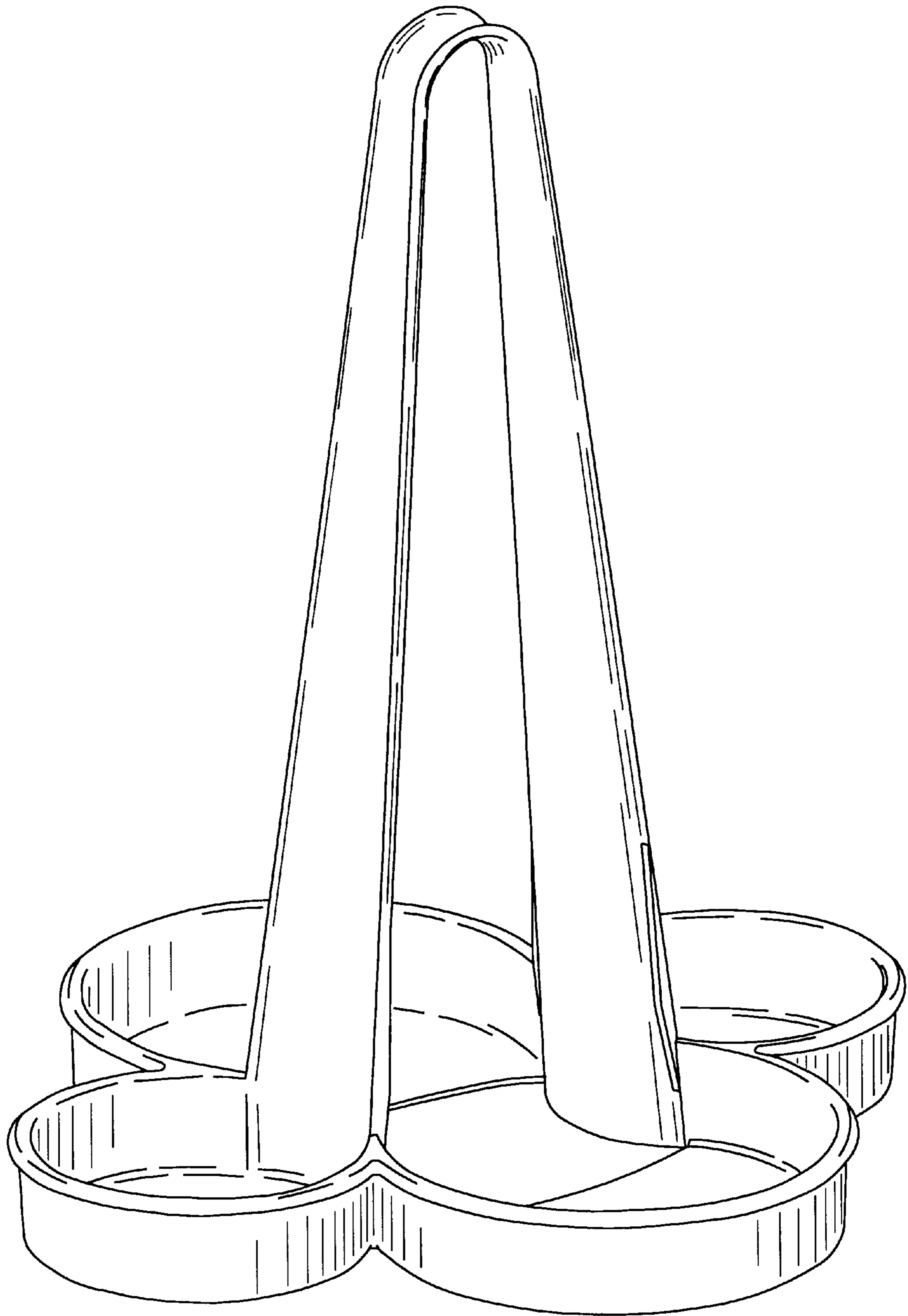


FIG. 1

FIG. 2

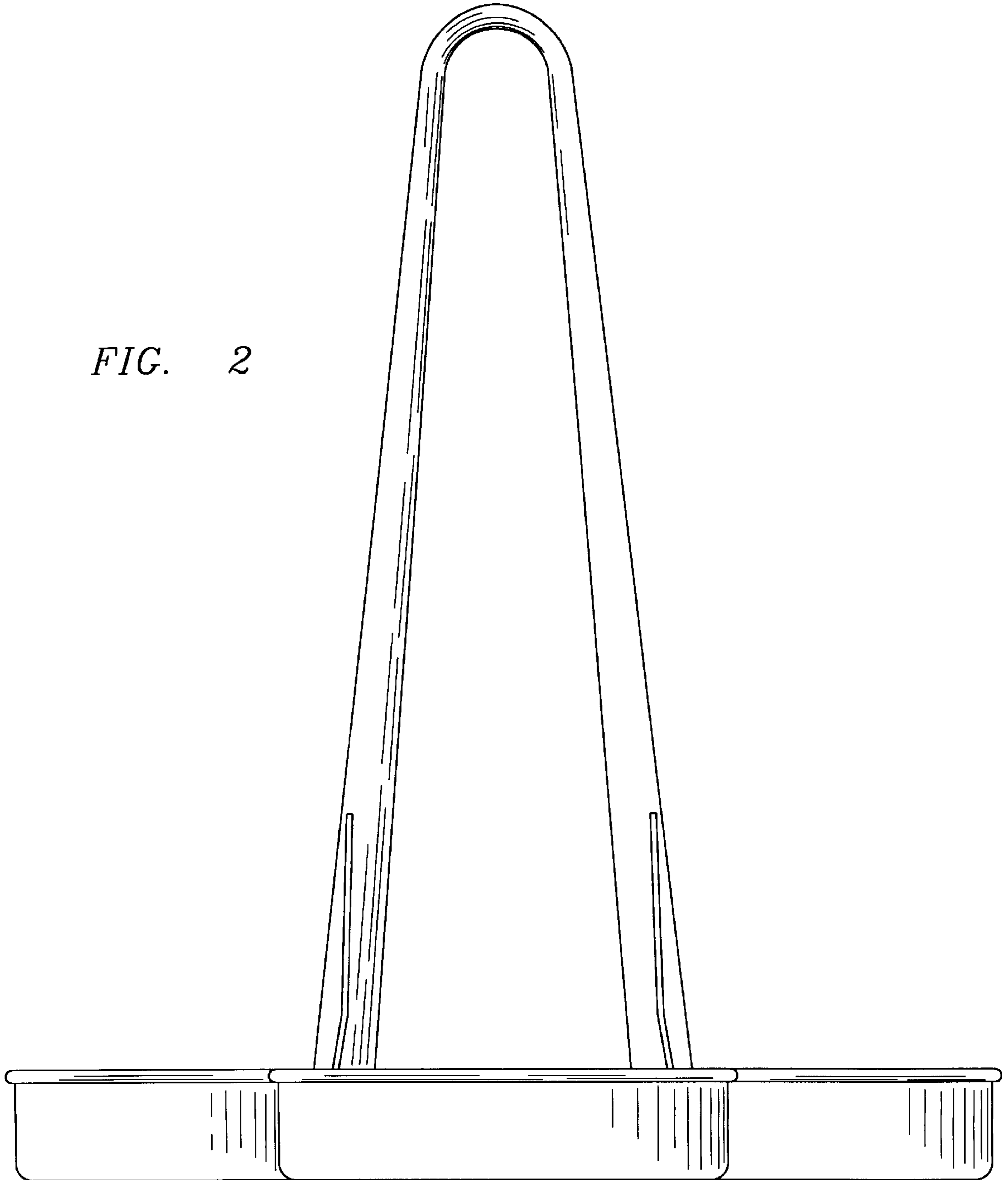
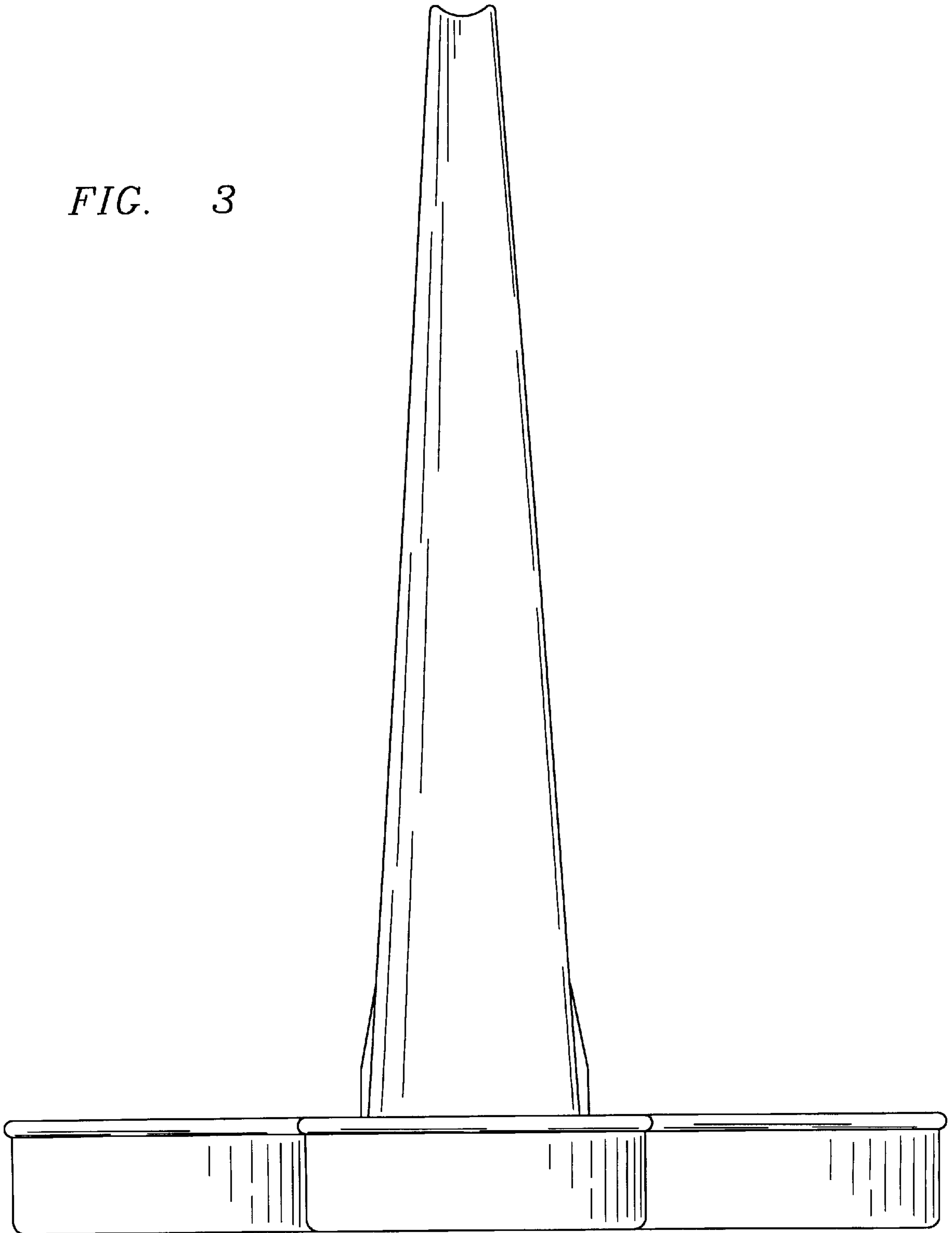


FIG. 3



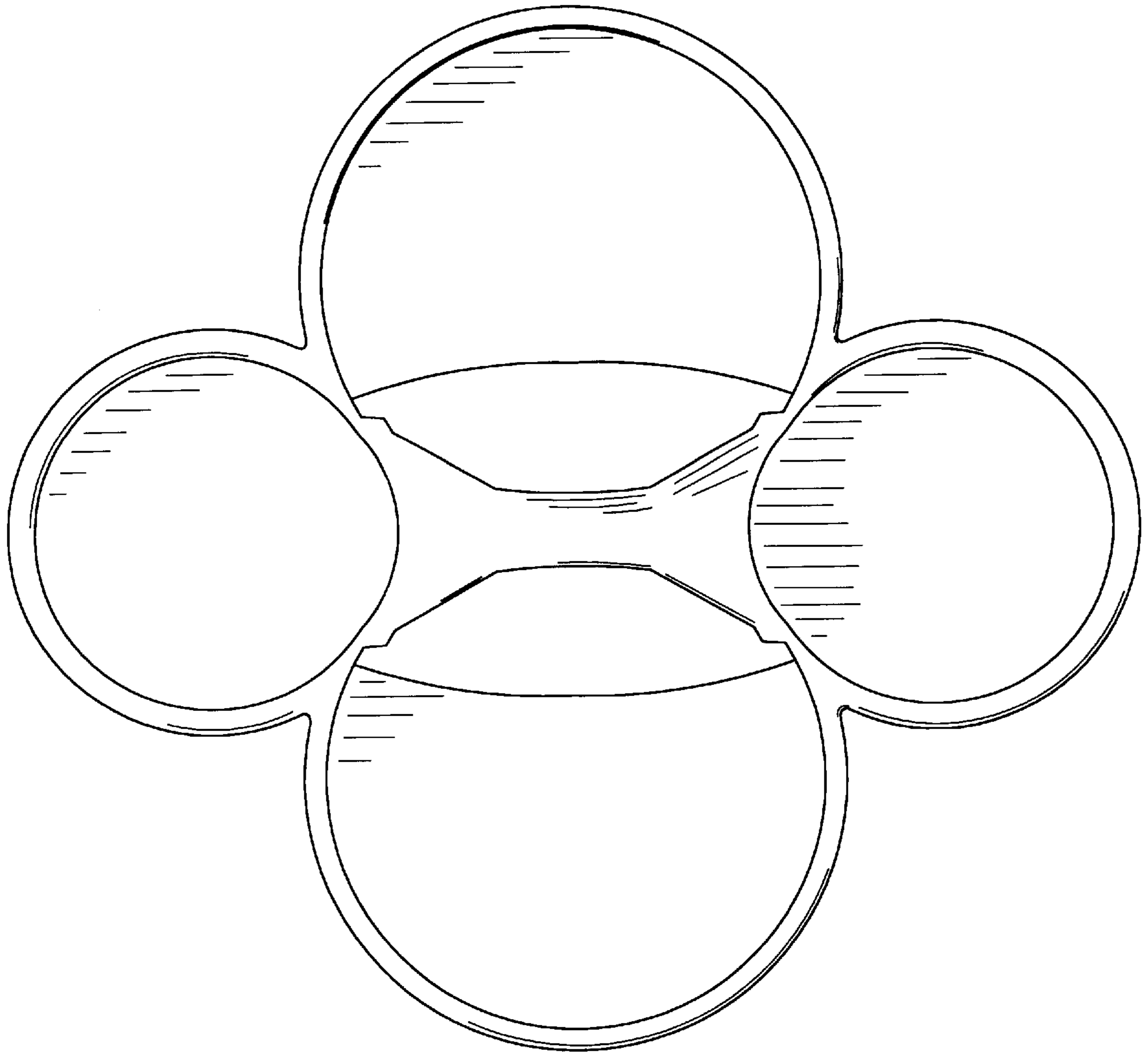


FIG. 4

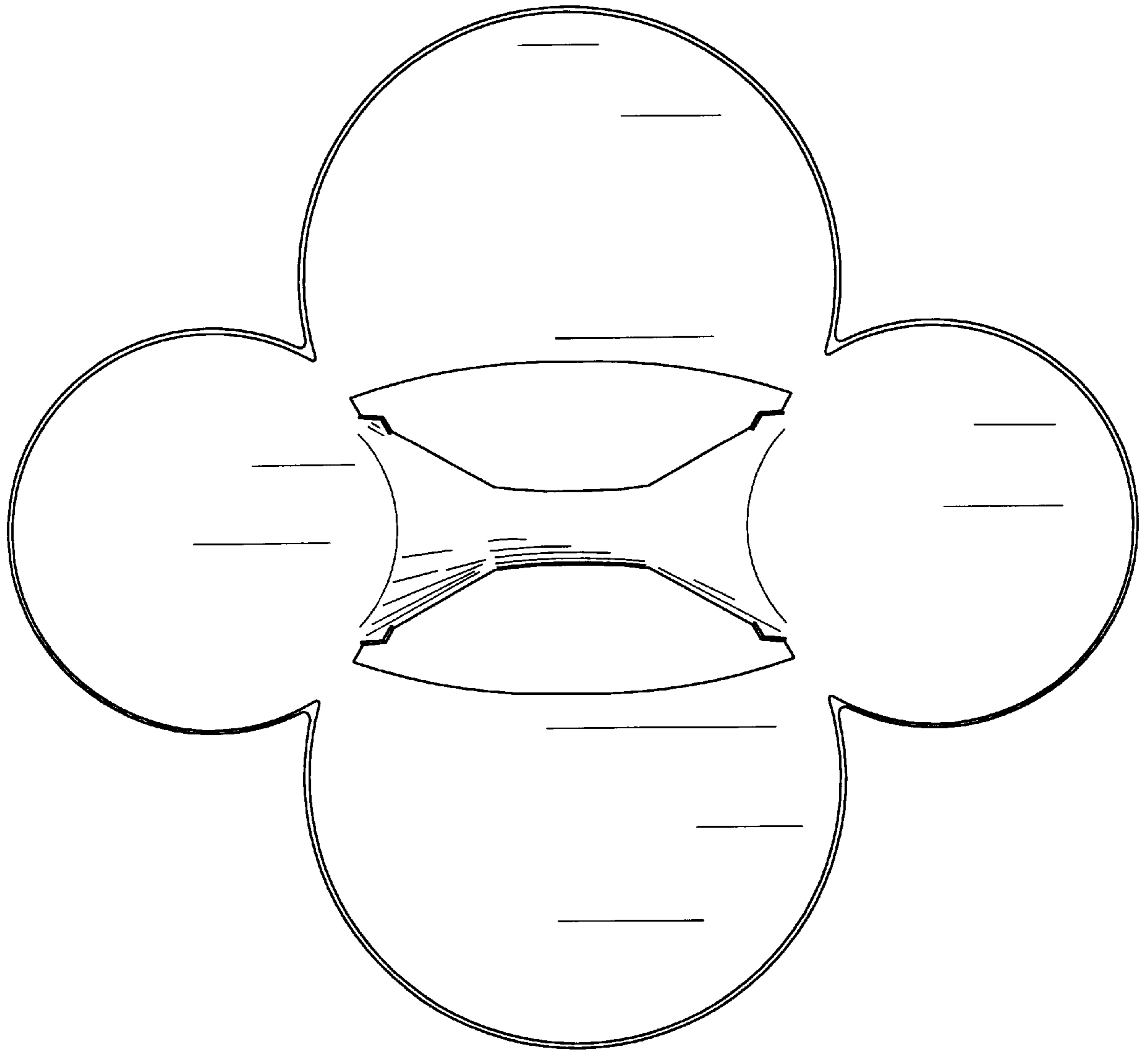


FIG. 5