



US00D418718S

United States Patent [19]
Pascotti

[11] **Patent Number: Des. 418,718**
[45] **Date of Patent: ** Jan. 11, 2000**

[54] **APPLIANCE**

[75] Inventor: **James Pascotti**, Harrisburg, Pa.

[73] Assignee: **L'Equip, Inc.**, Lemoyne, Pa.

[**] Term: **14 Years**

[21] Appl. No.: **29/105,183**

[22] Filed: **May 19, 1999**

[51] **LOC (7) Cl.** **31-00**

[52] **U.S. Cl.** **D7/412; D7/665**

[58] **Field of Search** D7/412, 665, 666,
D7/325; 99/501-506, 509-513, 495

[56] **References Cited**

U.S. PATENT DOCUMENTS

D. 343,097 1/1994 Cesari et al. D7/665

OTHER PUBLICATIONS

Colonial Garden Kitchens, p. 21, Juicer, upper, right corner, Sep. 15, 1994.

Primary Examiner—Terry A. Wallace
Attorney, Agent, or Firm—Duane, Morris & Heckscher, LLP

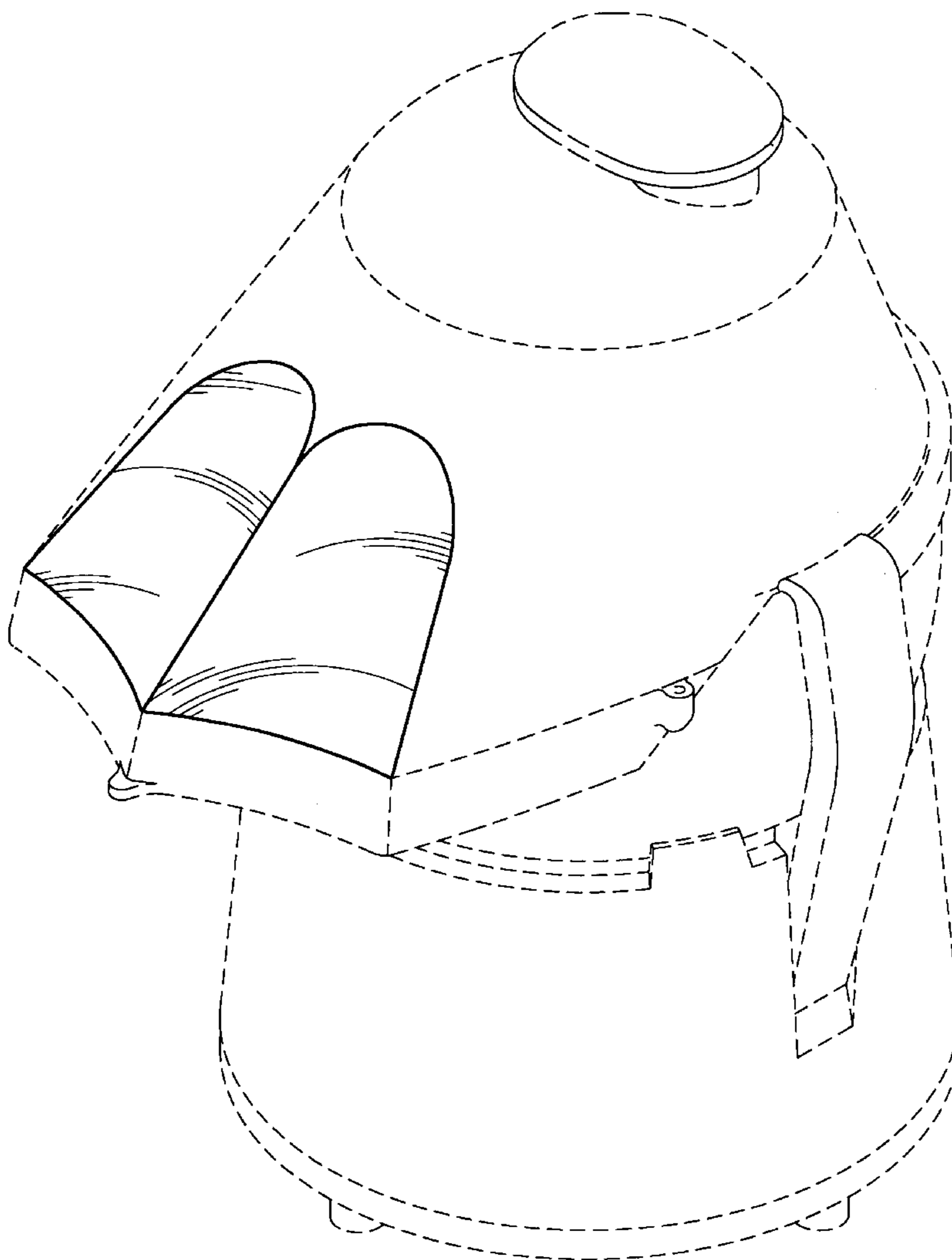
[57] **CLAIM**

The ornamental design for an appliance, as shown and described.

DESCRIPTION

FIG. 1 is an isometric view of the appliance; FIG. 2 is a side view of the appliance; FIG. 3 is a top view of the appliance; and, FIG. 4 is a rear view of the appliance. The broken lines are for illustrative purposes only and form no part of the claimed design.

1 Claim, 4 Drawing Sheets



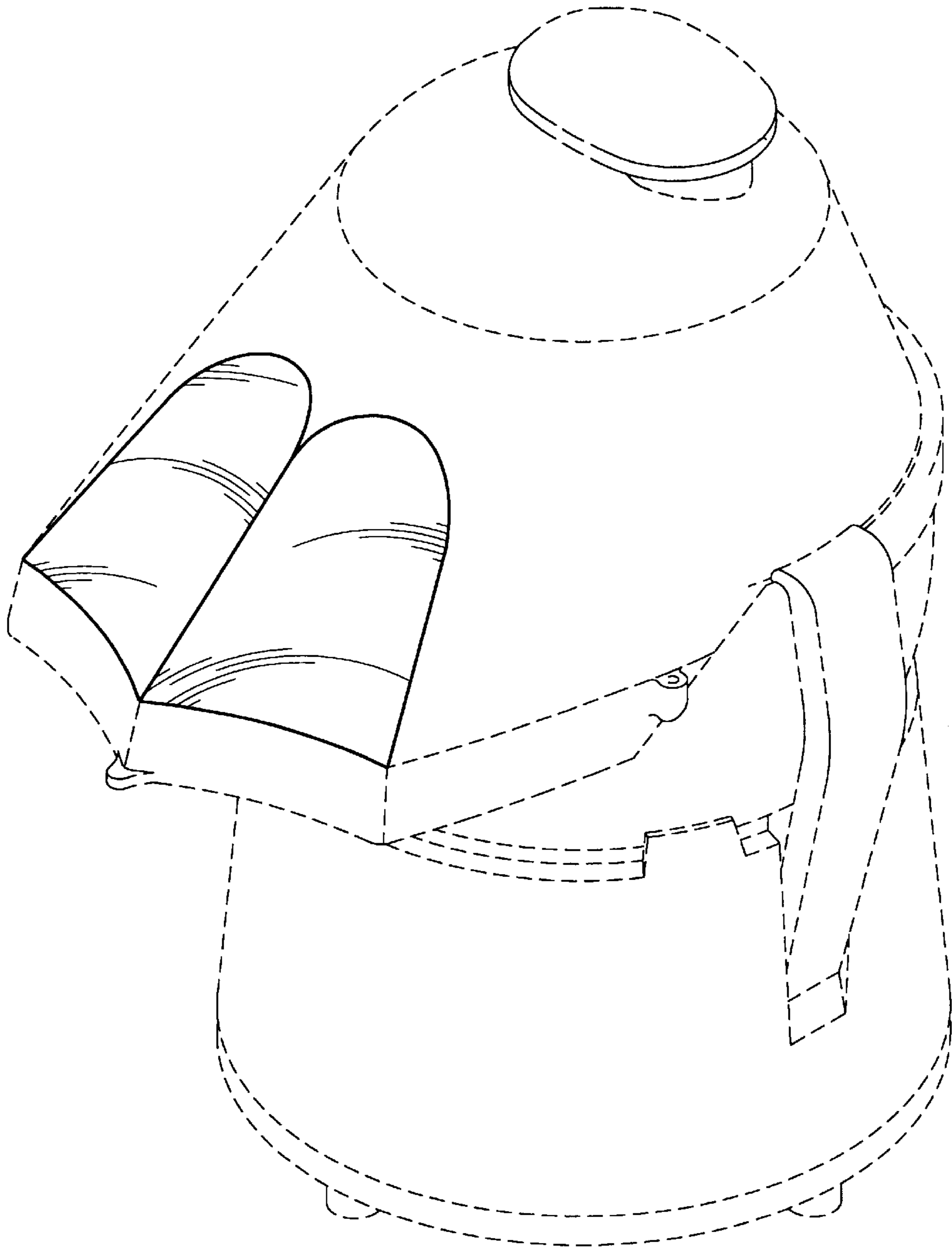


FIG. 1

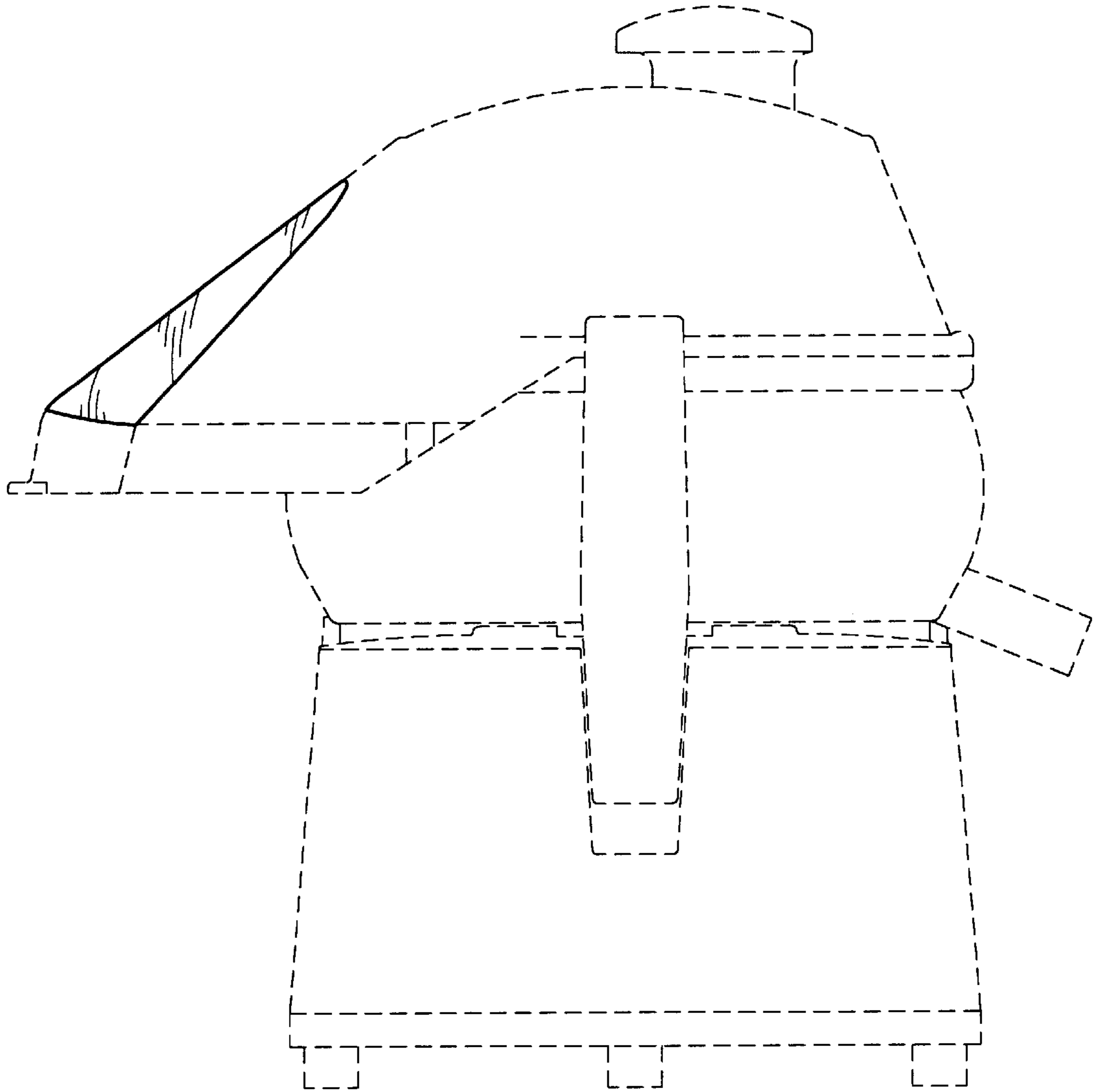


Fig. 2

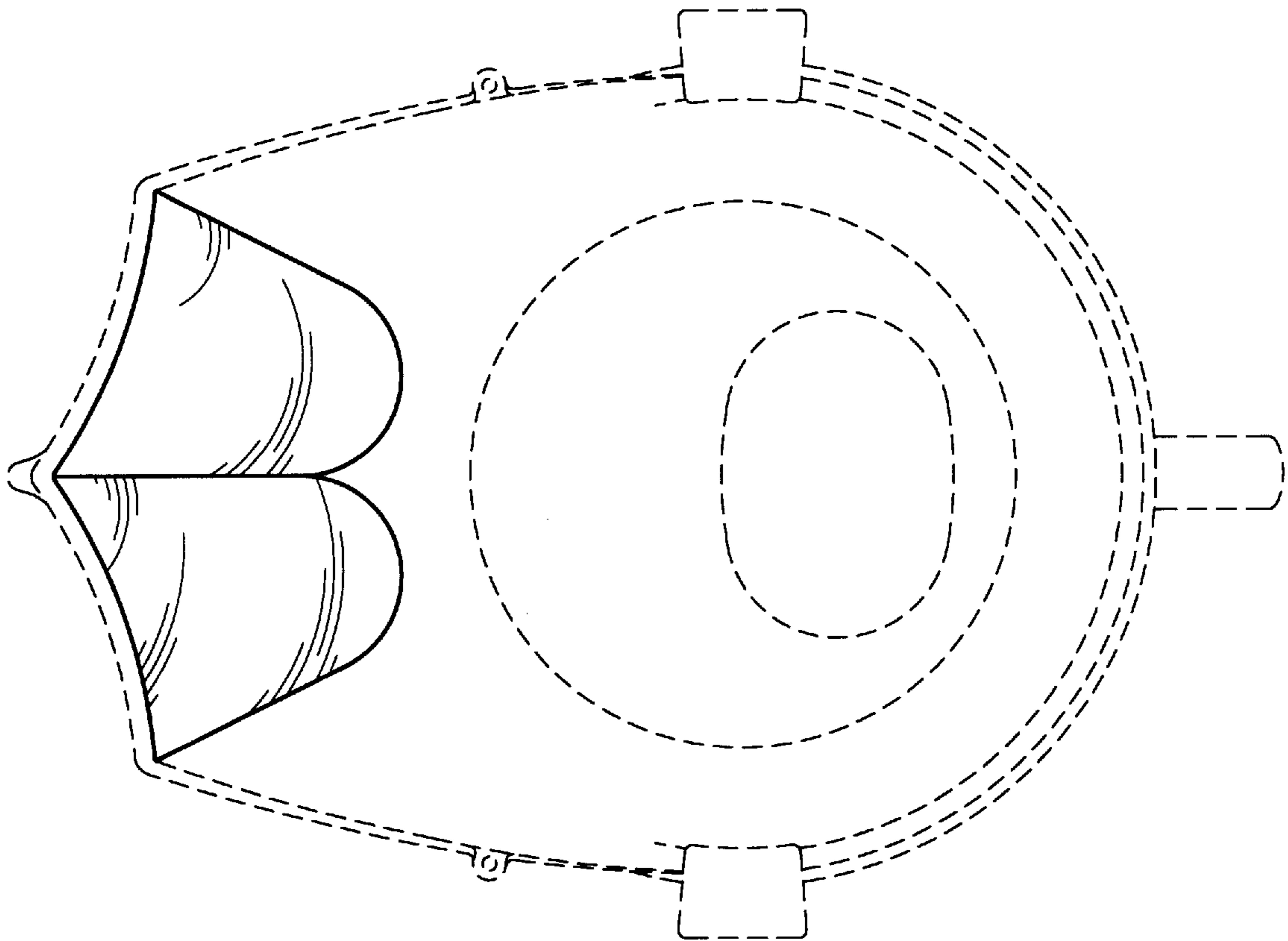
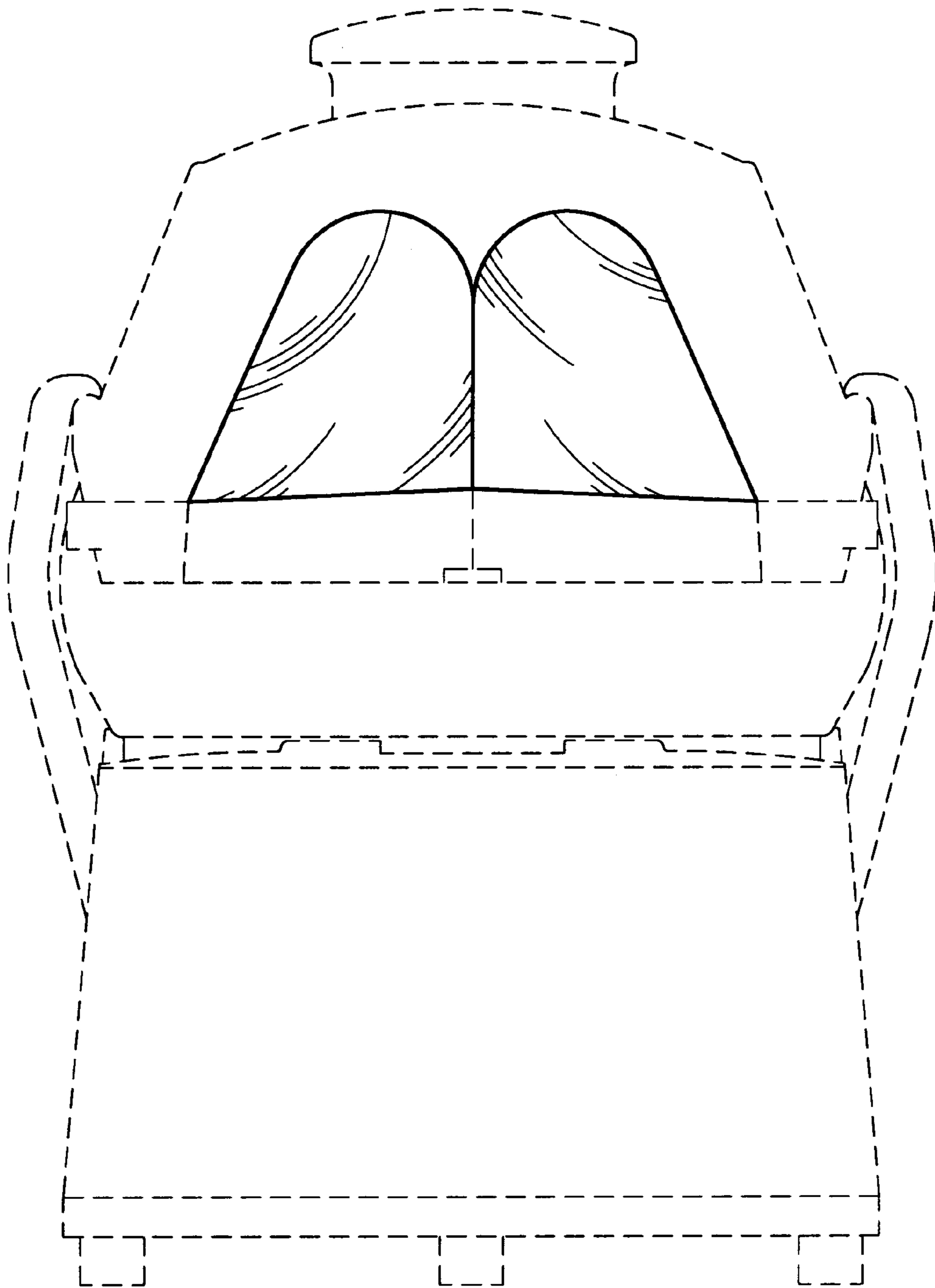


FIG. 3



11 11 11 11 11