



US00D418712S

United States Patent [19] Grabsch

[11] **Patent Number: Des. 418,712**
[45] **Date of Patent: ** Jan. 11, 2000**

[54] **MATTRESS**

[75] Inventor: **Joachim Grabsch**, Watt, Switzerland

[73] Assignee: **Airlux AG**, Regensdorf-Watt, Switzerland

[**] Term: **14 Years**

[21] Appl. No.: **29/094,417**

[22] Filed: **Oct. 1, 1998**

[30] **Foreign Application Priority Data**

Apr. 1, 1998 [EP] European Pat. Off. 98105925

[51] **LOC (7) Cl.** **06-09**

[52] **U.S. Cl.** **D6/605; D6/595**

[58] **Field of Search** D6/595, 596, 601, D6/604, 605; 5/630, 636, 644, 652, 653, 654, 655.3, 655.9, 690, 706, 731, 740, 717, 718, 737

[56] **References Cited**

U.S. PATENT DOCUMENTS

D. 188,484 8/1960 Koenigsberg D6/605

D. 341,983 12/1993 Wang D6/604
D. 356,918 4/1995 Marshburn D6/596
1,687,580 10/1928 Melcer D6/603

OTHER PUBLICATIONS

Airlux brochure (2 pages) distributed at Swiss exhibition on May 7, 1998.

Primary Examiner—Janice E. Seeger
Attorney, Agent, or Firm—Oblon, Spivak, McClelland, Maier & Neustadt, P.C.

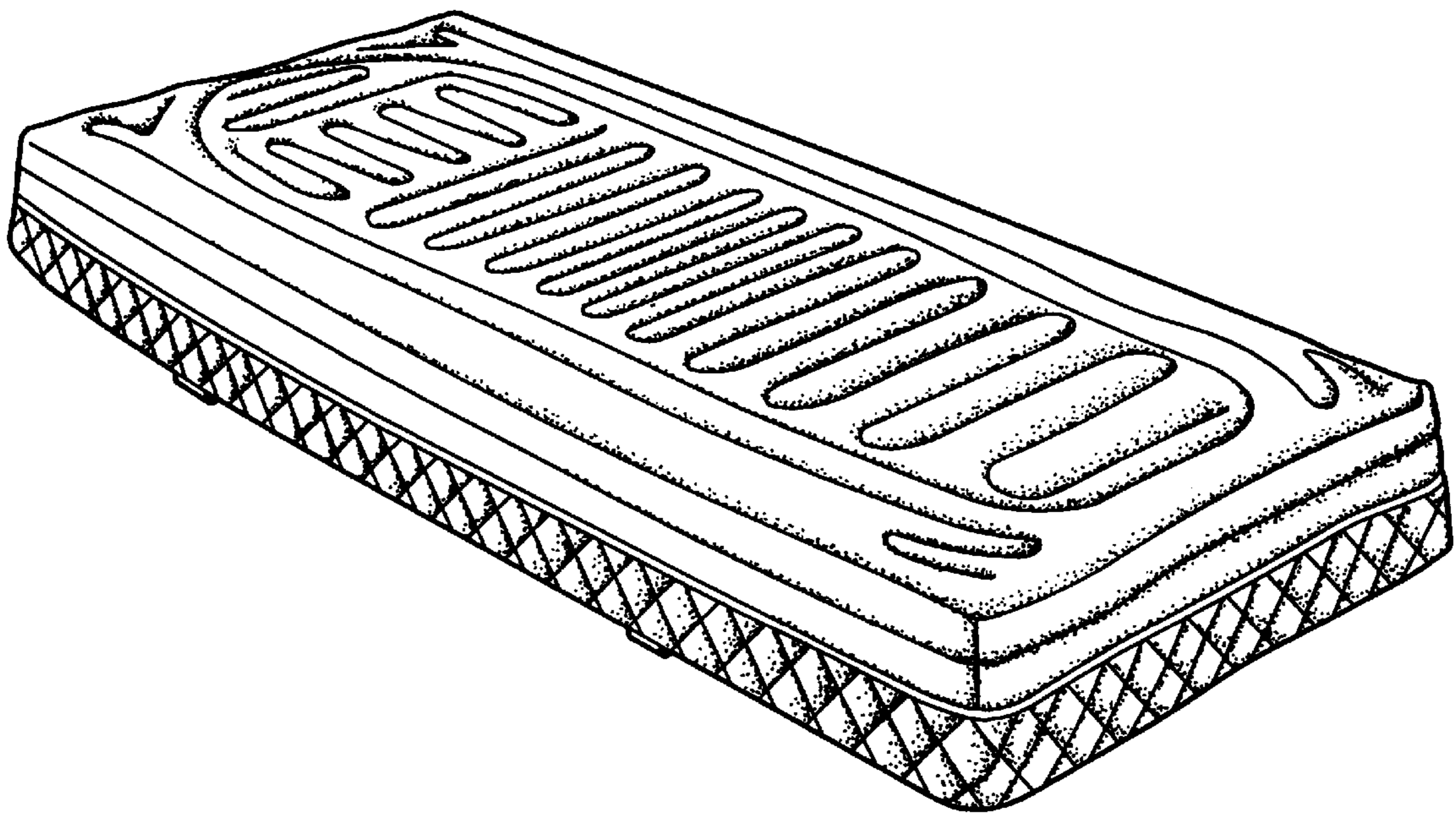
[57] **CLAIM**

The ornamental design for mattress, as shown and described.

DESCRIPTION

FIG. 1 is a top, front and left side perspective view of mattress embodying my new design, the rear and right side not shown being identical to the front and left; FIG. 2 is a top plan view thereof; and, FIG. 3 is a bottom plan view thereof.

1 Claim, 3 Drawing Sheets



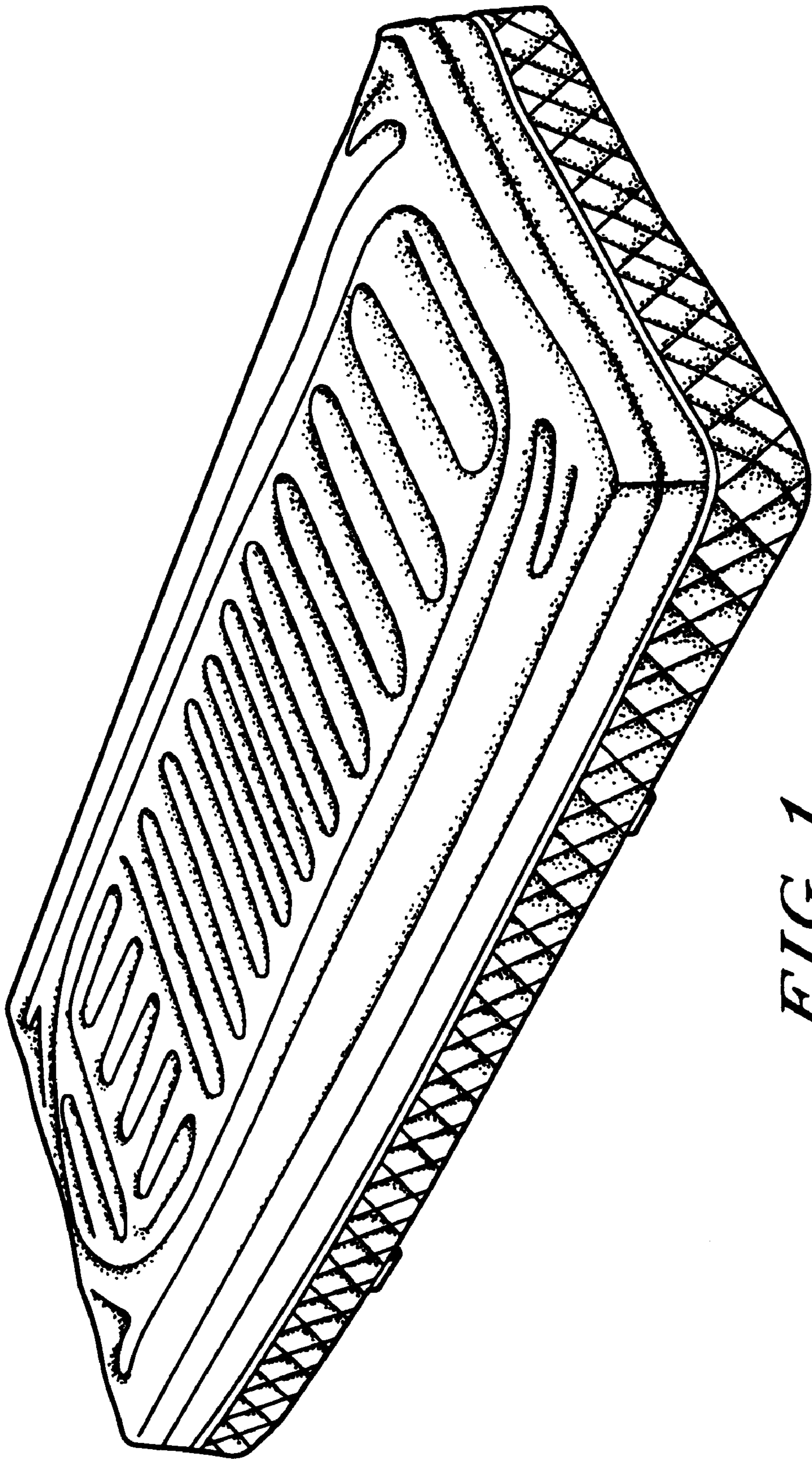


FIG. 1

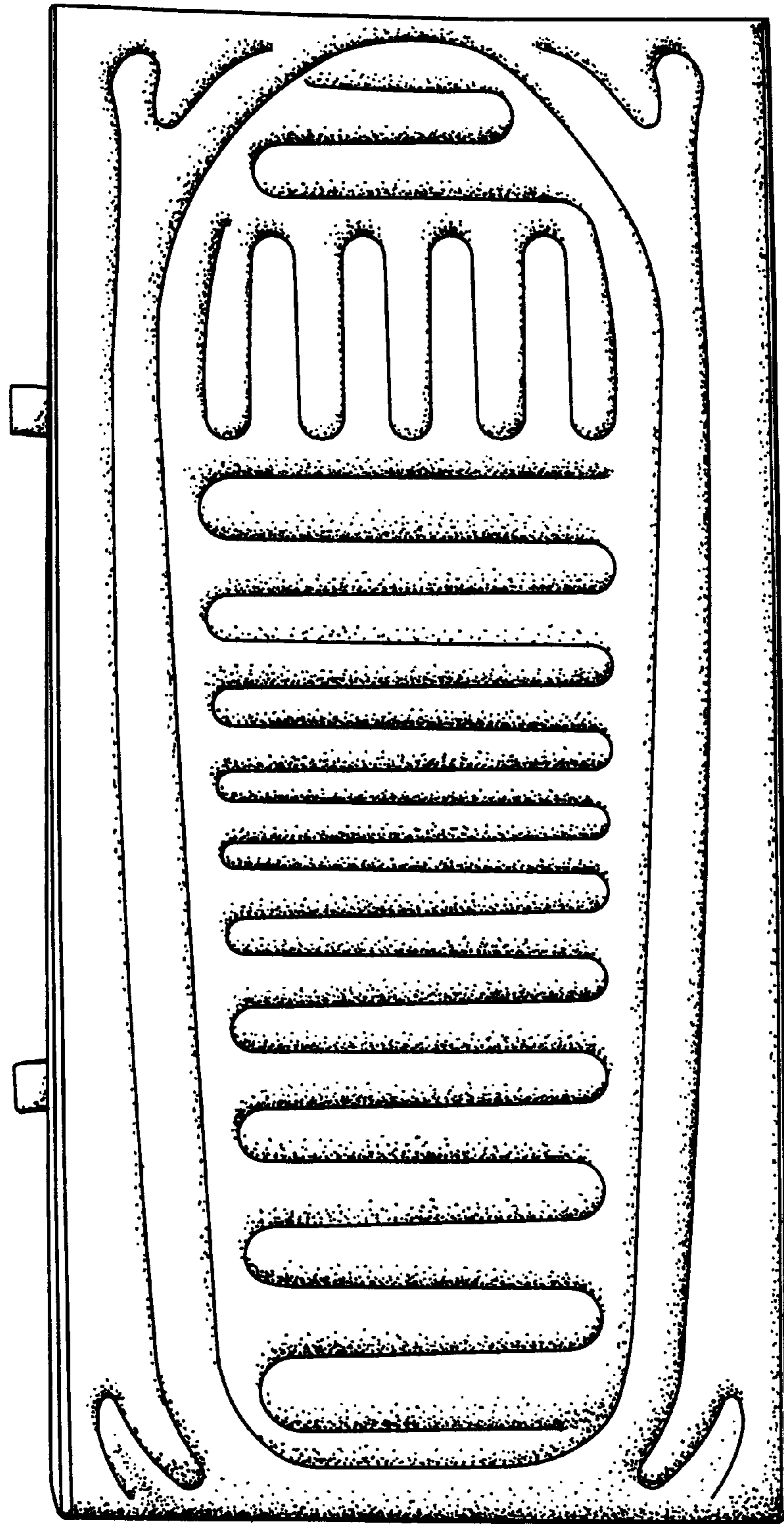


FIG. 2

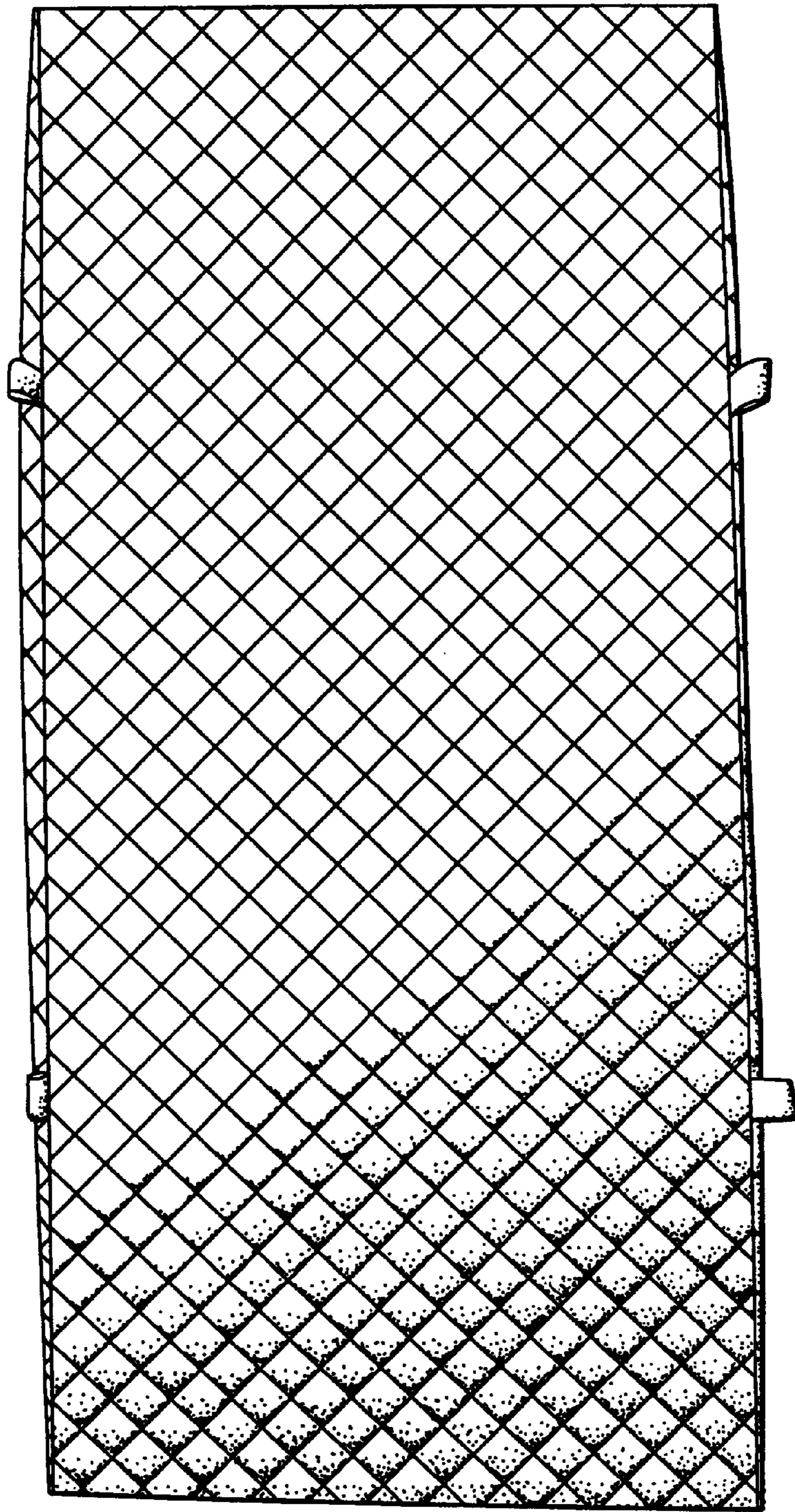


FIG. 3