



US00D418706S

United States Patent [19]
Robishaw

[11] **Patent Number: Des. 418,706**

[45] **Date of Patent: ** Jan. 11, 2000**

[54] **TOOTHBRUSH HOLDER**

[75] Inventor: **Francis Robishaw**, N. Palm Beach, Fla.

[73] Assignee: **Marlene Urcinoli**, Calif.

[**] Term: **14 Years**

[21] Appl. No.: **29/094,570**

[22] Filed: **Oct. 5, 1998**

[51] **LOC (7) Cl.** **06-02**

[52] **U.S. Cl.** **D6/534**

[58] **Field of Search** D6/534; 211/65,
211/66, 70, 87, 88; 248/110, 111; 206/362,
372

[56] **References Cited**

U.S. PATENT DOCUMENTS

D. 270,878 10/1983 Sabatella D6/534

D. 287,447 12/1986 Bussell D6/534

OTHER PUBLICATIONS

Page 118, Jul./Aug. issue, 1998 of Martha Stewart Living magazine Box 60001 Tampa FL 33660-0001 [800/999-6518].

Primary Examiner—Marcus A. Jackson
Attorney, Agent, or Firm—Frank L. Zugelger

[57] **CLAIM**

The ornamental design for toothbrush holder, as shown and described.

DESCRIPTION

FIG. 1 is a perspective view of a toothbrush holder embodying the inventive design, viewed from above.

FIG. 2 is a top view of the toothbrush holder of FIG. 1 .

FIG. 3 is an elevational view from the side of the toothbrush holder shown in FIG. 1 .

FIG. 4 is a bottom view of the toothbrush holder shown in FIG. 1 .

FIG. 5 is a cross-sectional view taken on line 5 —5 of the toothbrush holder shown in FIG. 1 .

FIG. 6 is a perspective view of another toothbrush holder embodying the invention, viewed from above; and,

FIG. 7 is an elevational view from the side of the toothbrush holder shown in FIG. 6 .

1 Claim, 2 Drawing Sheets

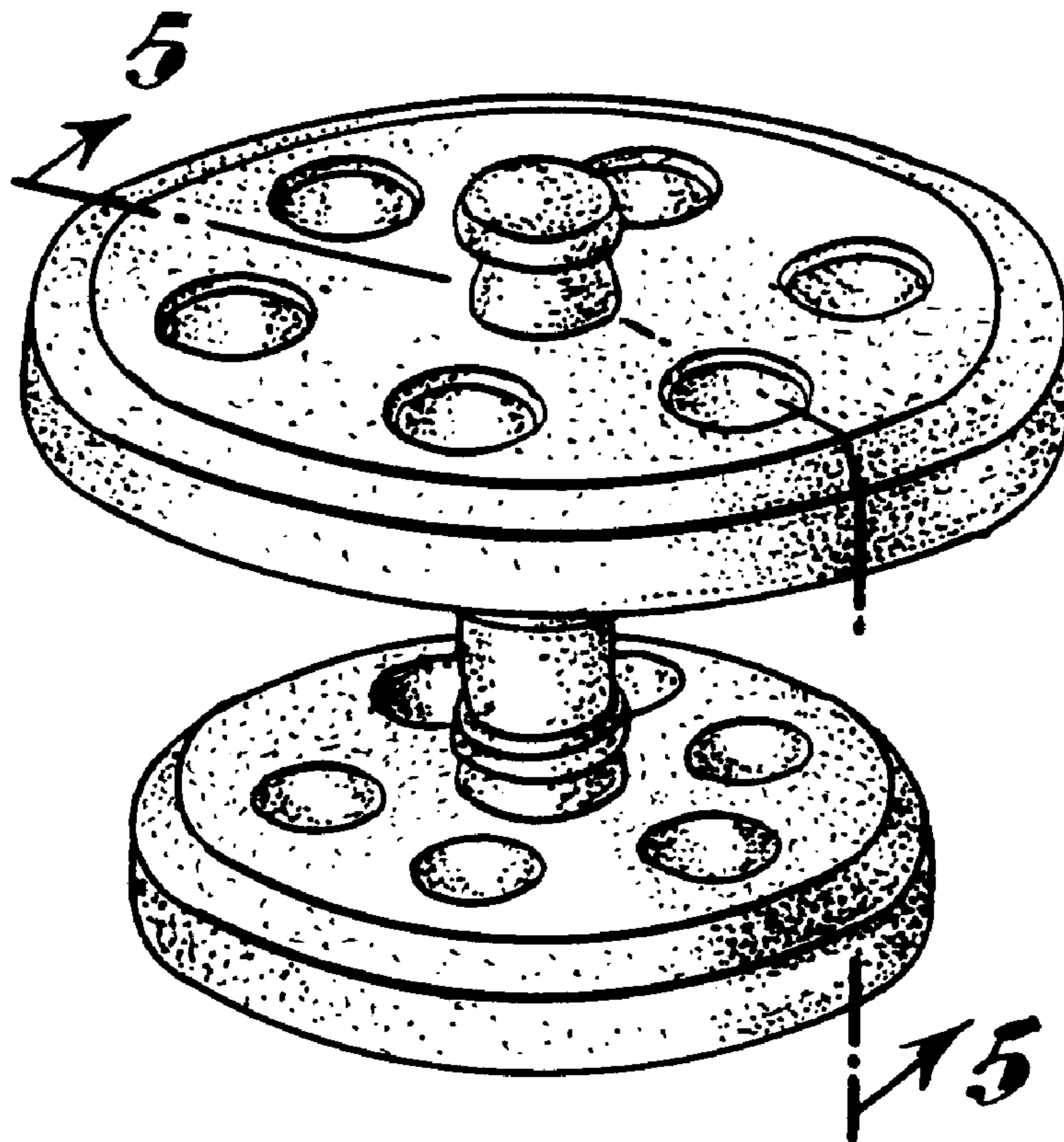


FIG. 2.

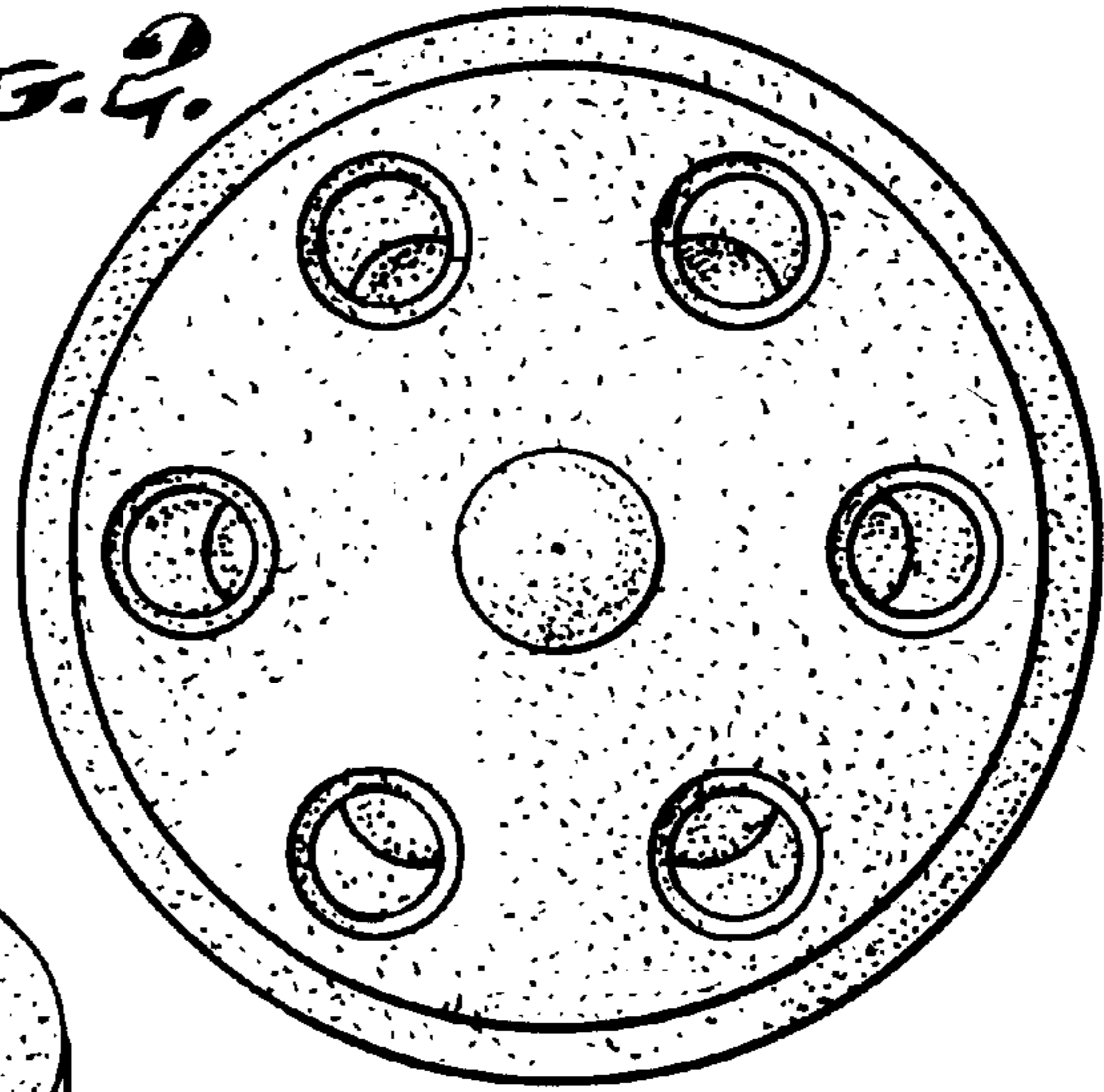


FIG. 1.

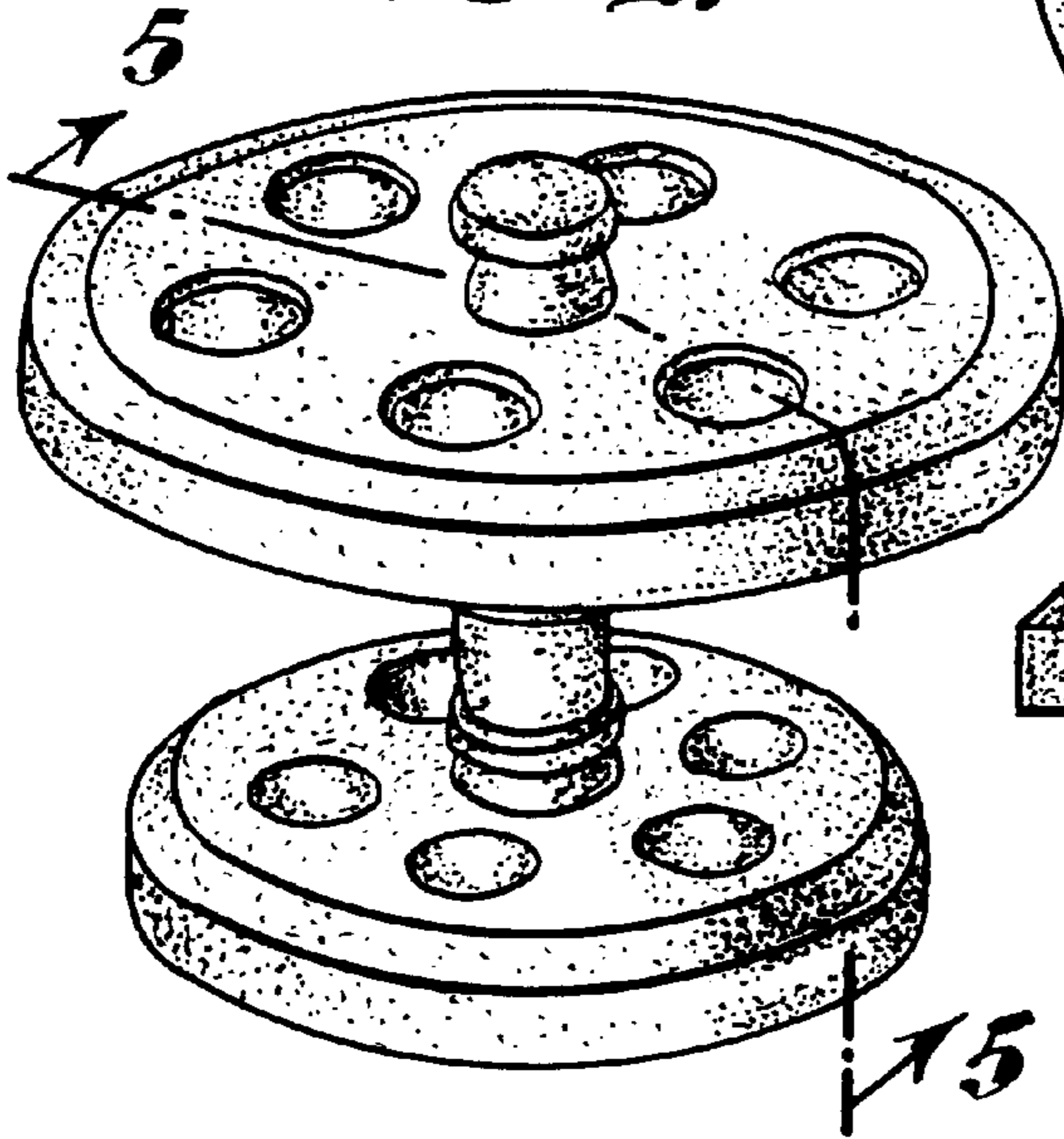


FIG. 3.

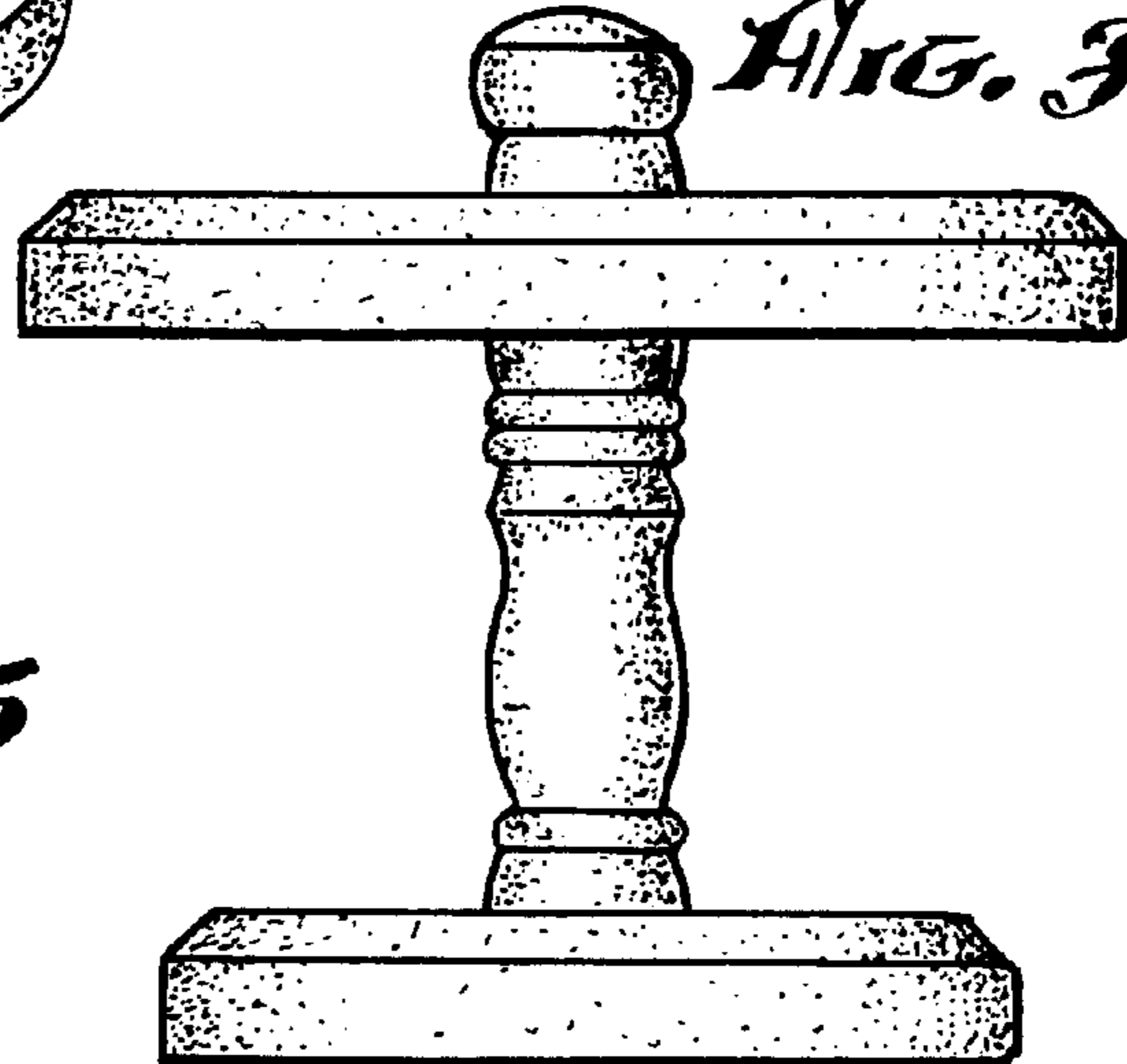


FIG. 4.

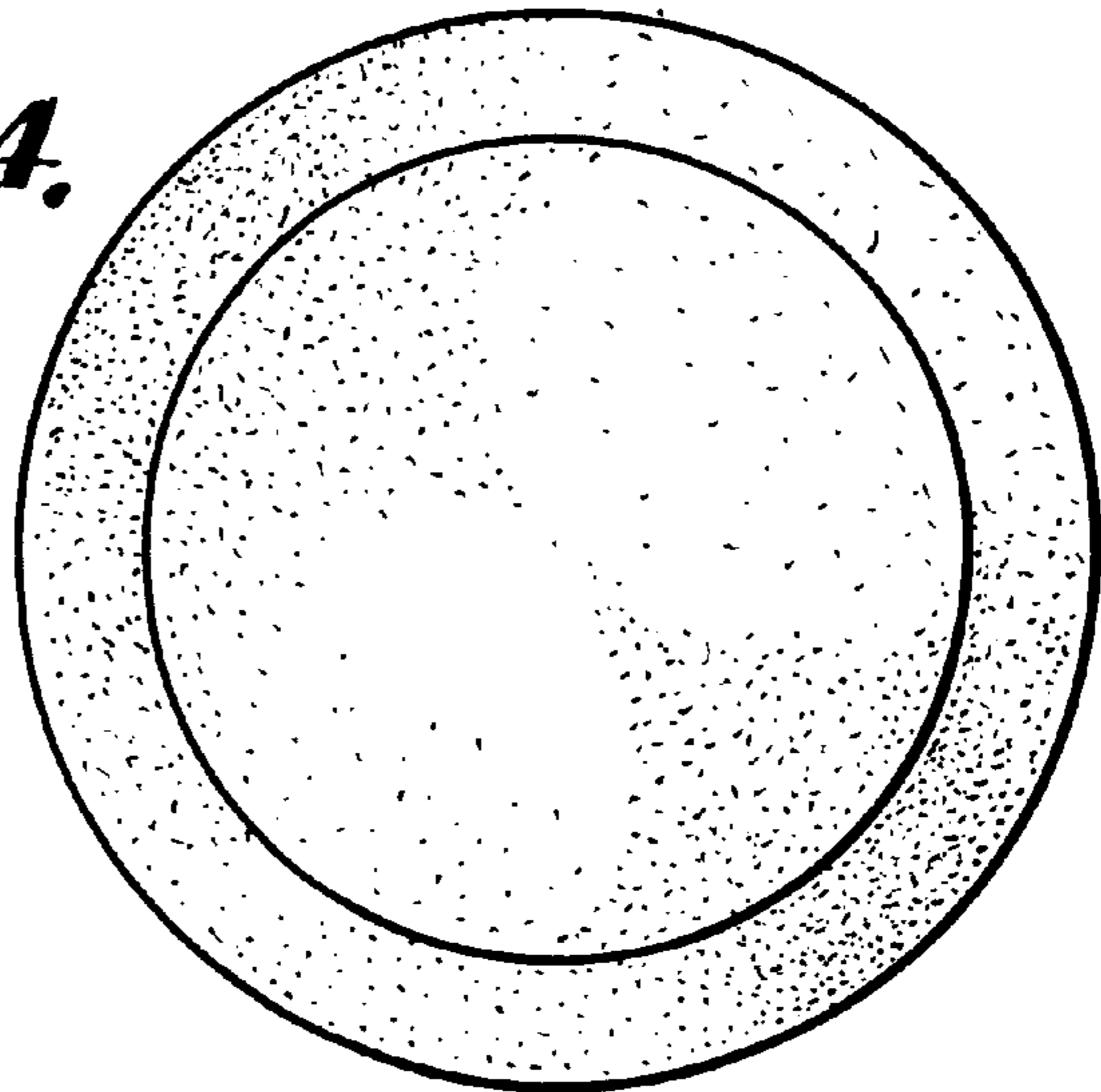


FIG. 5.

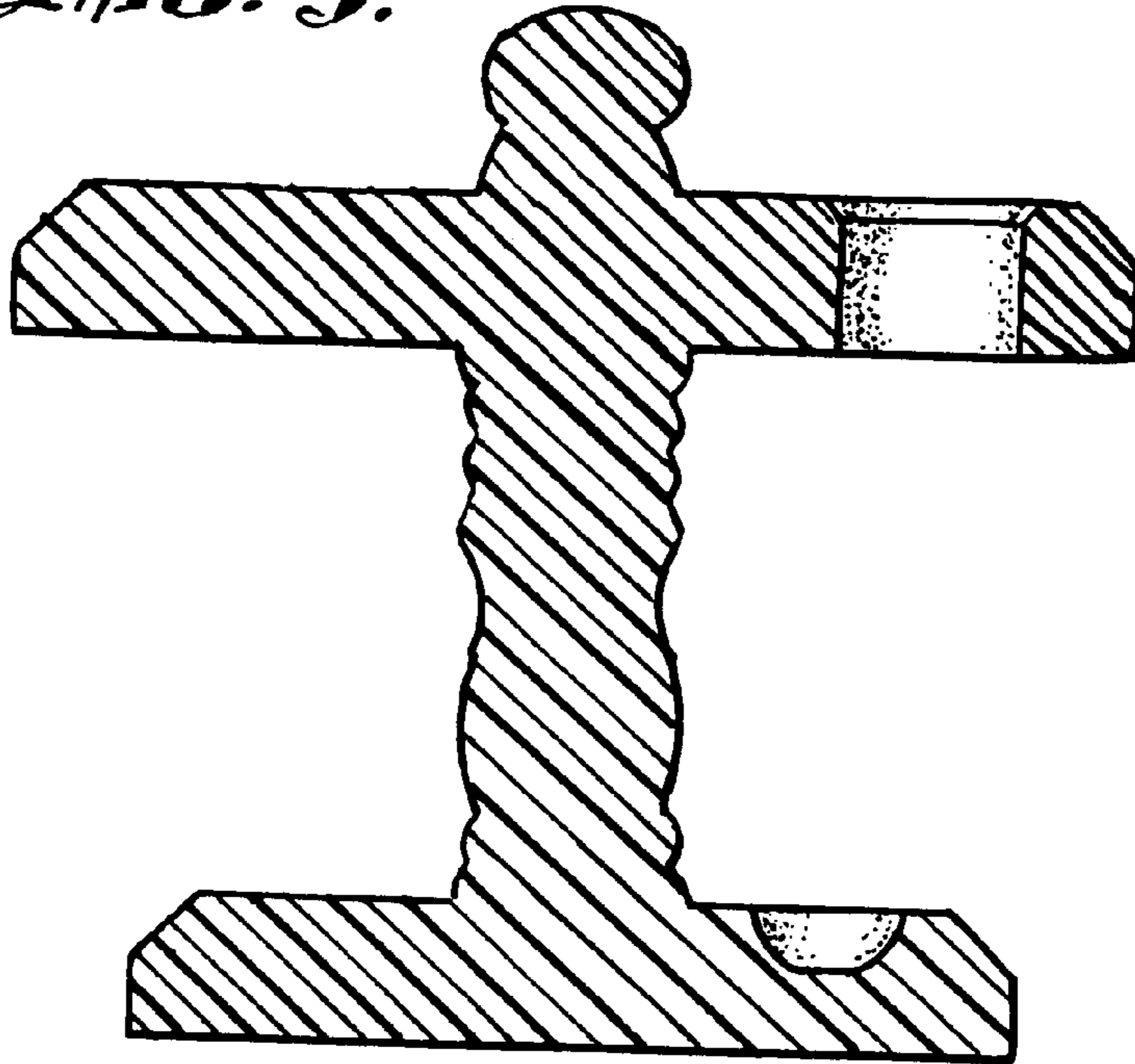


FIG. 6.

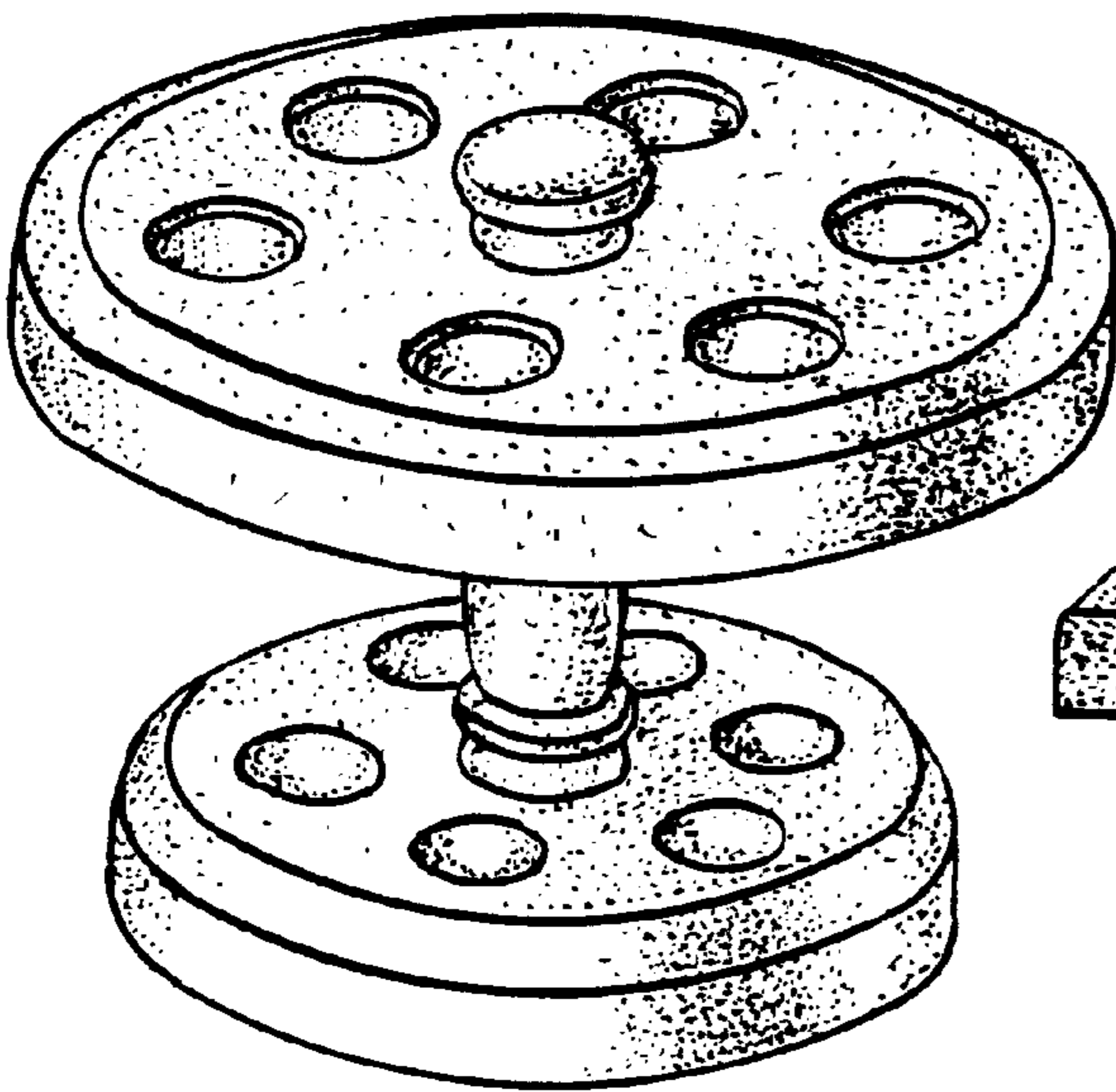


FIG. 7.

