



US00D418701S

United States Patent [19]

Wanek et al.

[11] Patent Number: **Des. 418,701**

[45] Date of Patent: **** Jan. 11, 2000**

[54] HEADBOARD/FOOTBOARD

[75] Inventors: **Ronald G. Wanek**, Arcadia, Wis.; **Jane Pronschinske**, Winona, Minn.

[73] Assignee: **Ashley Furniture Industries, Inc.**, Arcadia, Wis.

[**] Term: **14 Years**

[21] Appl. No.: **29/070,130**

[22] Filed: **Apr. 30, 1997**

[51] LOC (7) Cl. **06-01**

[52] U.S. Cl. **D6/505**

[58] Field of Search D6/382, 385, 388, D6/390-395, 505-508; 5/53.1, 907, 279.1, 280, 281

[56] References Cited

U.S. PATENT DOCUMENTS

D. 41,639	8/1911	Moore	D6/393
D. 267,532	1/1983	Platner	D6/446
D. 333,927	3/1993	Bello	D6/383
D. 357,371	4/1995	Keller	D6/446
D. 370,798	6/1996	Rosen	D6/446
D. 388,962	1/1998	Zaidman	D6/300
D. 388,984	1/1998	Wanek et al.	D6/505
D. 399,372	10/1998	Zaidman et al.	D6/446
2,497,453	2/1950	Hazen	5/93.1

OTHER PUBLICATIONS

Pennsylvania House, p. 89, Vertical mirror.
Pennsylvania House, p. 111, Landscape mirror.
Ethan Allen c1992, p. 217, #11 mirror at bottom right.

Primary Examiner—Janice E. Seeger
Attorney, Agent, or Firm—Douglas J. Christensen

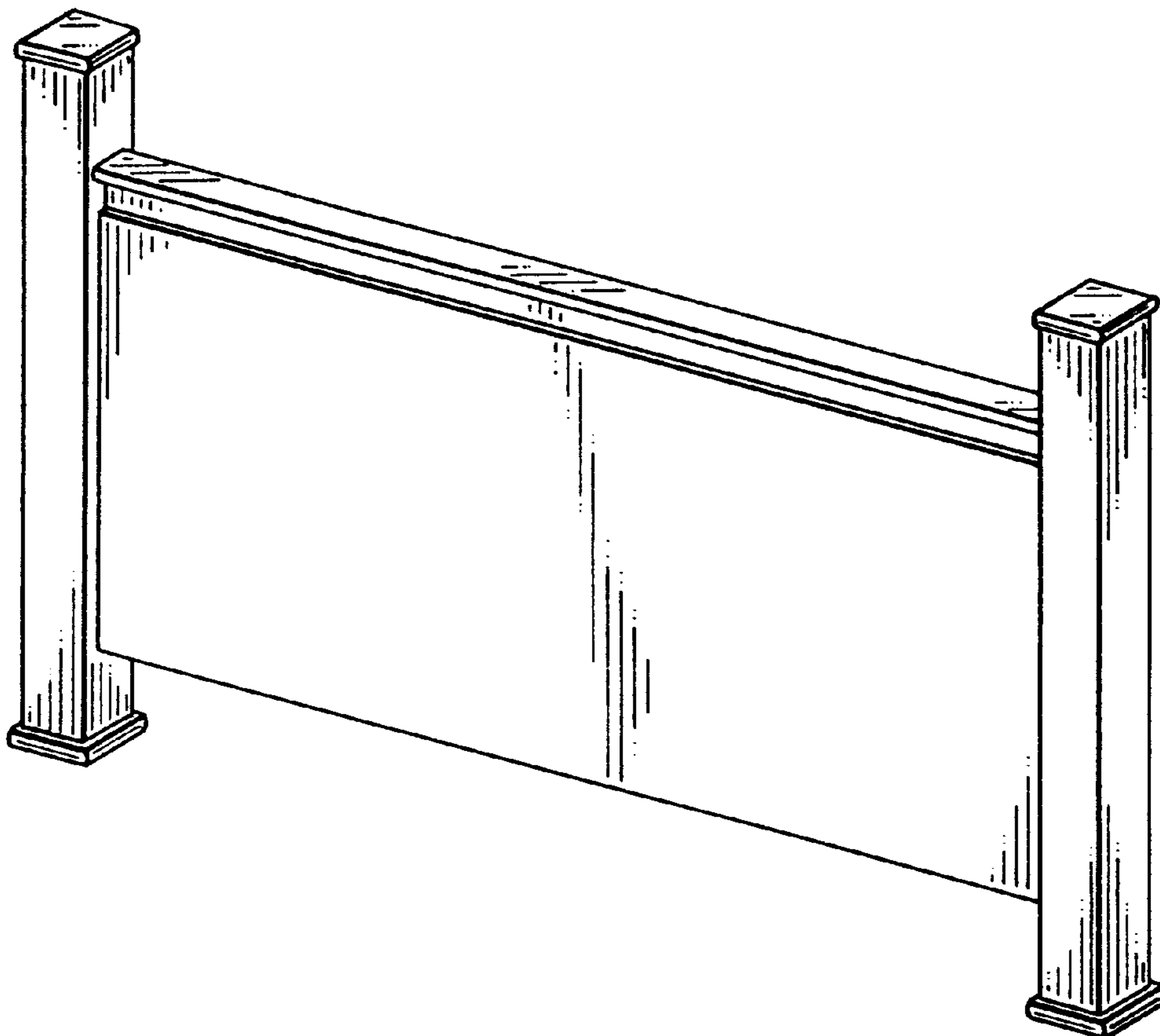
[57] CLAIM

The ornamental design for headboard/footboard, as shown and described.

DESCRIPTION

FIG. 1 is a perspective view of a headboard/footboard, showing the footboard of our new design; FIG. 2 is a top plan of the footboard of FIG. 1; FIG. 3 is a front elevation of the footboard of FIG. 1; FIG. 4 is a side elevation of the footboard of FIG. 1, with the opposite side elevation thereof being a mirror image thereof; FIG. 5 is a perspective view of a headboard/footboard, showing the headboard as an alternate embodiment; FIG. 6 is a top plan of the headboard of FIG. 5; FIG. 7 is a front elevation of the headboard of FIG. 5; and, FIG. 8 is a side elevation of the headboard of FIG. 5, with the opposite side elevation thereof being a mirror image thereof.

1 Claim, 2 Drawing Sheets



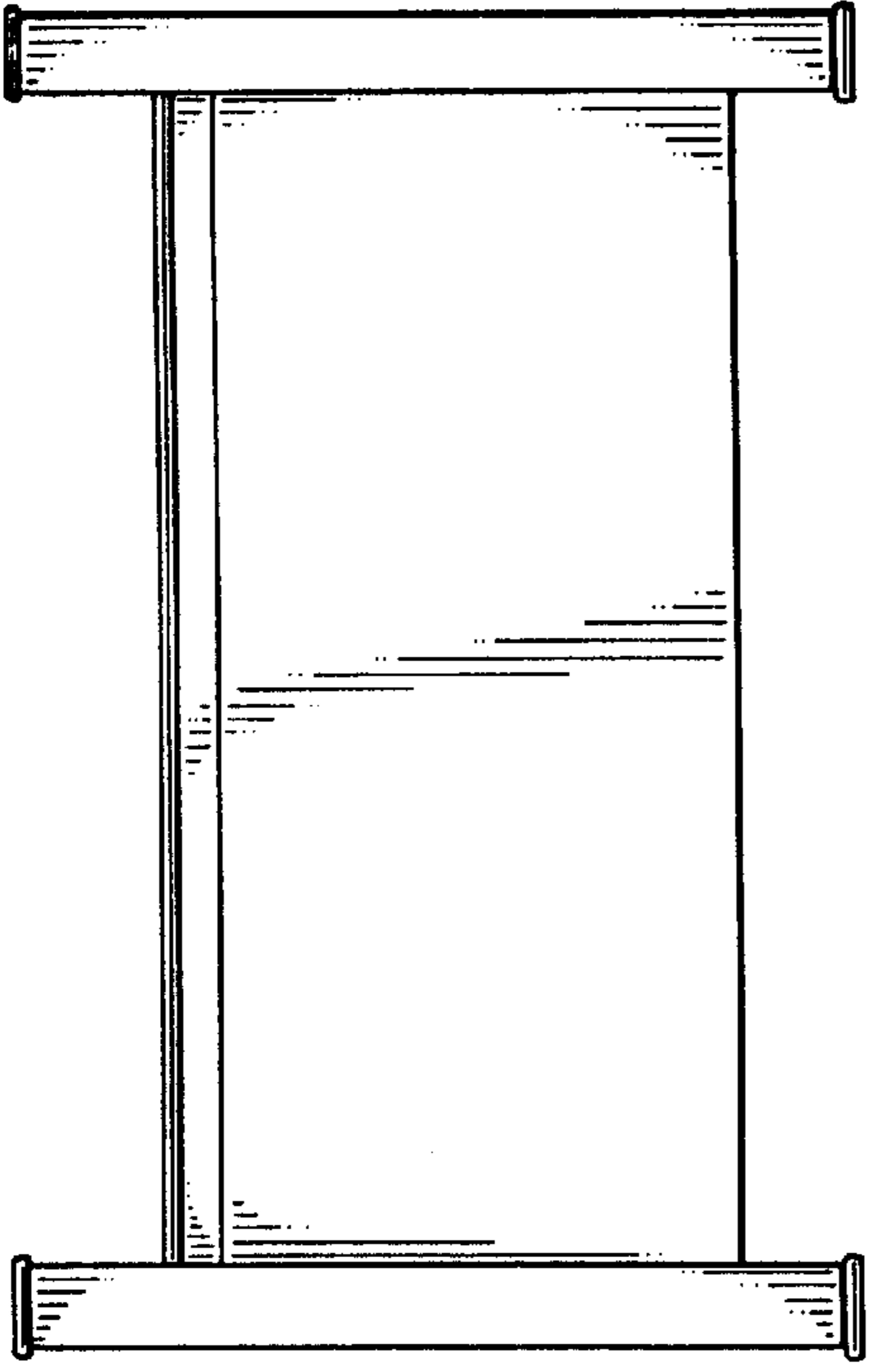


Fig. 3

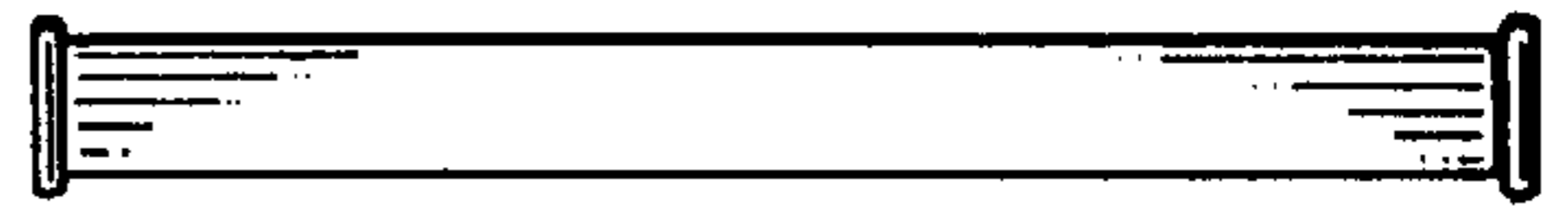


Fig. 4

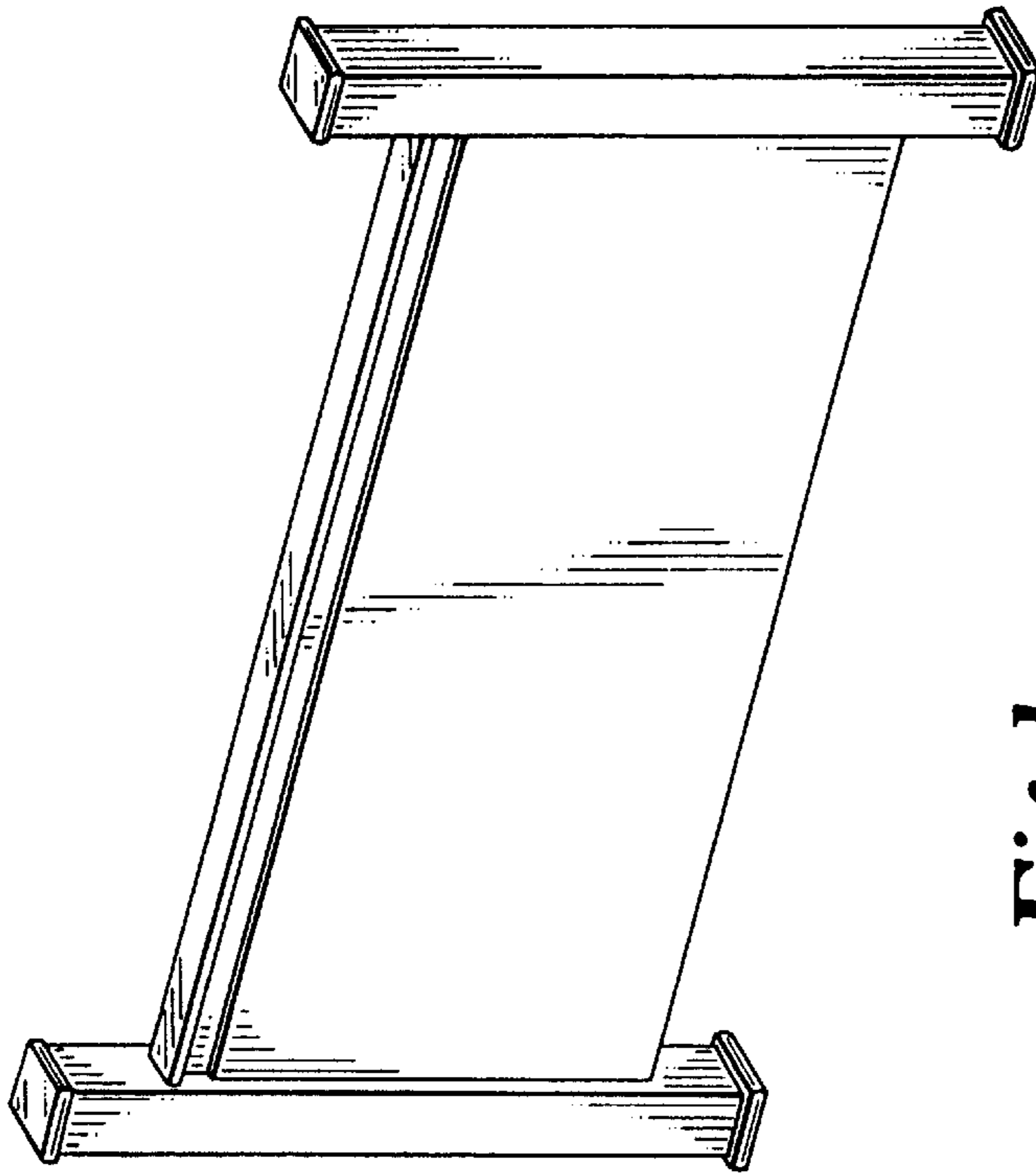


Fig. 1



Fig. 2

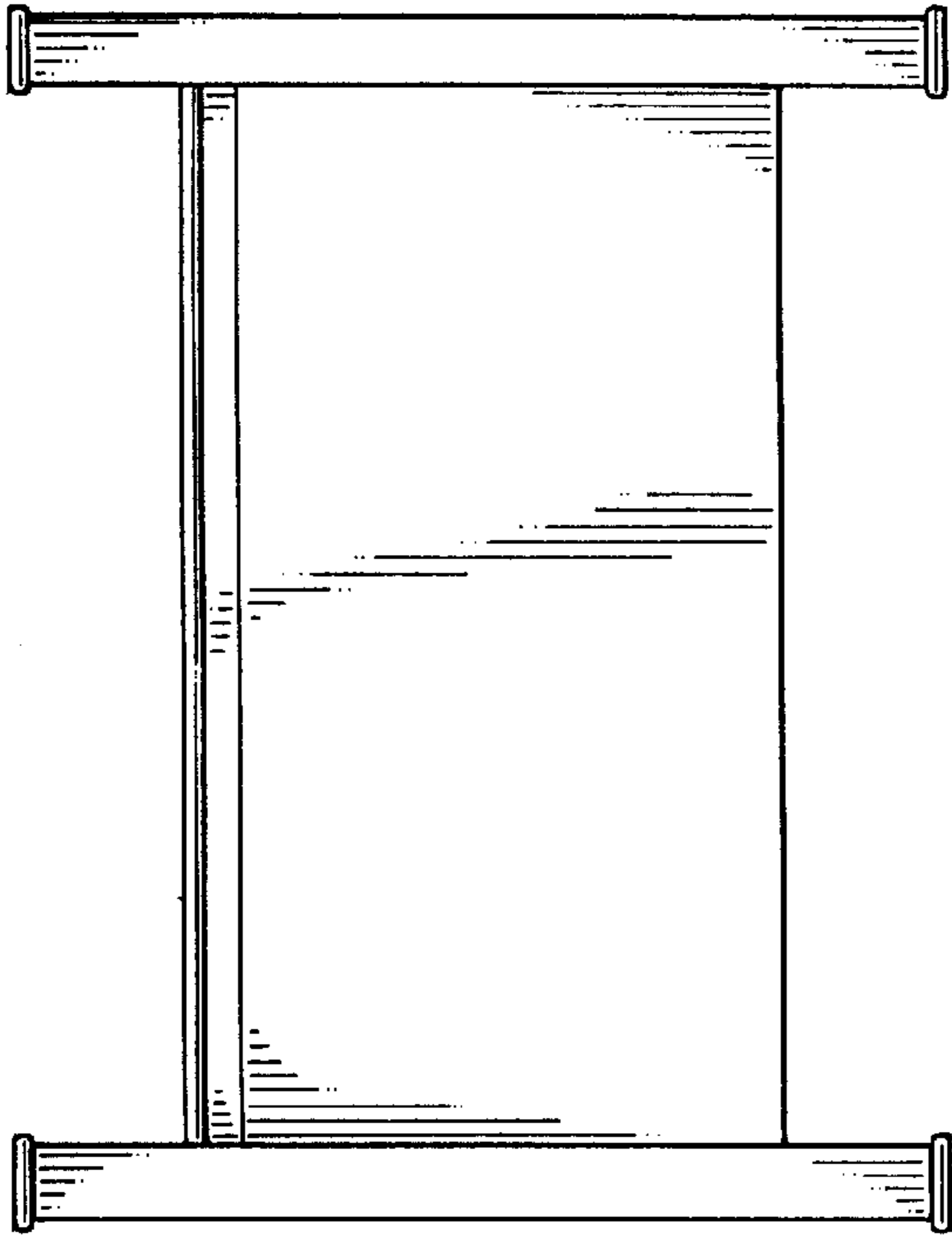


Fig. 7

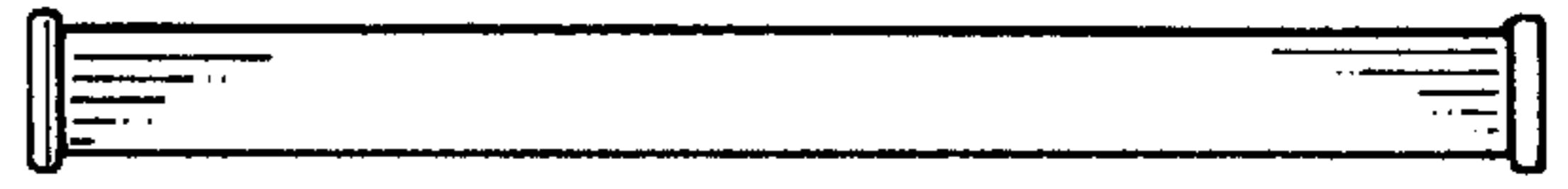


Fig. 8

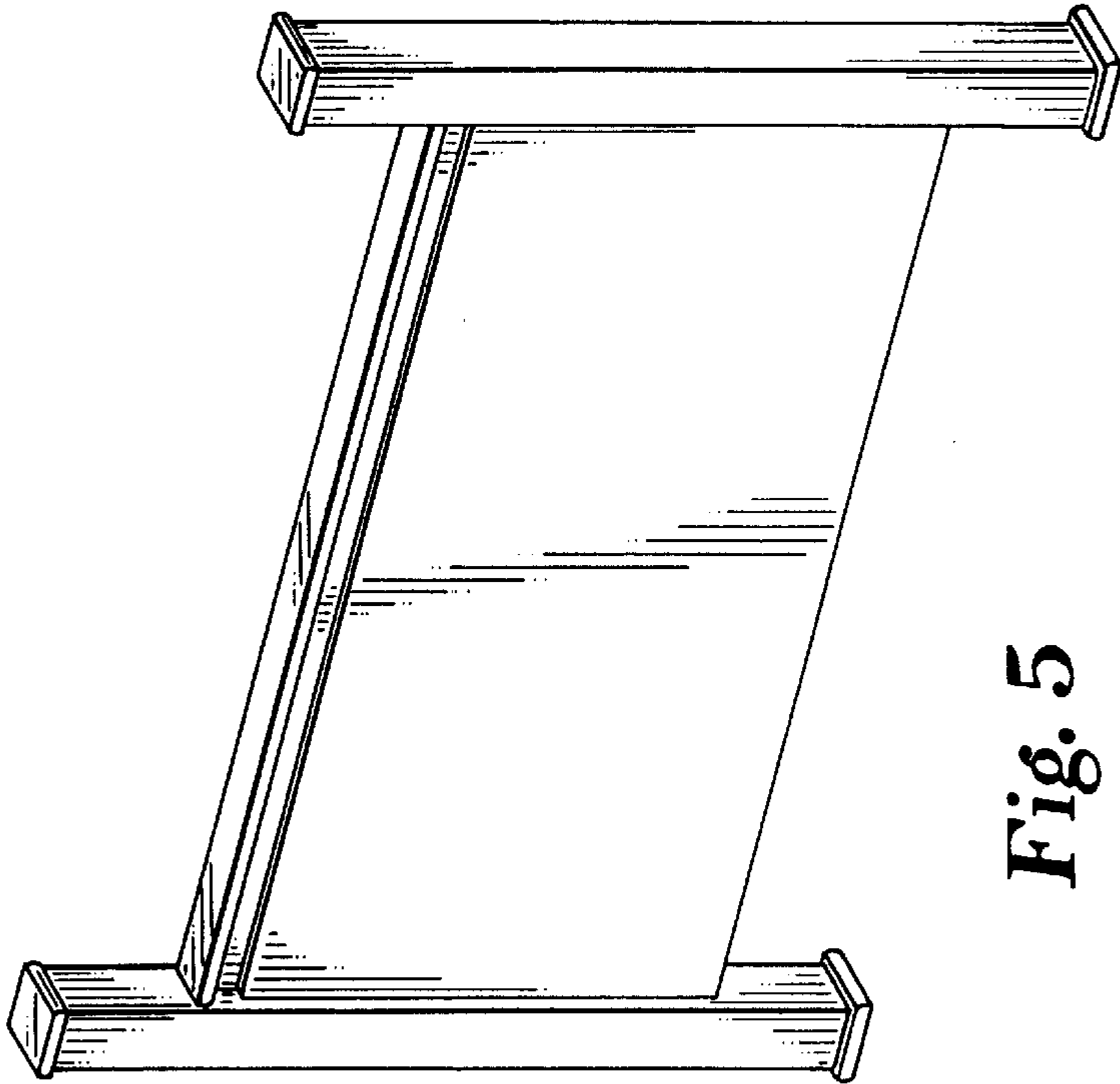


Fig. 5



Fig. 6