



US00D418697S

United States Patent [19] Creske

[11] **Patent Number: Des. 418,697**

[45] **Date of Patent: ** Jan. 11, 2000**

[54] **POOLSIDE TABLE**

[75] Inventor: **Edward J. Creske**, Mossinee, Wis.

[73] Assignee: **Wausau Tile, Inc.**, Wausau, Wis.

[**] Term: **14 Years**

[21] Appl. No.: **29/093,301**

[22] Filed: **Sep. 8, 1998**

[51] **LOC (7) Cl. 06-03**

[52] **U.S. Cl. D6/486; D6/480**

[58] **Field of Search D6/480-489, 495-497,
D6/429; 108/150, 153.1, 156, 157.1, 161;
248/188, 188.1**

D. 266,861	11/1982	Clarkson	D21/232
D. 300,468	3/1989	Ochs	D25/1
D. 329,768	9/1992	Intardonato	D6/495
1,330,343	2/1920	Purcell	.	
1,986,262	1/1935	Gessler	65/5
2,838,351	6/1958	Siconolfi et al.	311/1
3,298,325	1/1967	Meath et al.	108/25
5,330,247	7/1994	Fricke	297/157
5,718,178	2/1998	Smith	108/25

Primary Examiner—Janice E. Seeger
Attorney, Agent, or Firm—Wood, Phillips, VanSanten, Clark & Mortimer

[57] CLAIM

The ornamental design for a poolside table, as shown and described.

[56] References Cited

U.S. PATENT DOCUMENTS

D. 214,473	6/1969	Plessinger	D6/486
D. 219,928	2/1971	Tincher	D33/14
D. 225,596	12/1972	Locas	D6/20
D. 234,932	4/1975	Burke	D6/27
D. 236,668	9/1975	Mudde	D6/27
D. 237,131	10/1975	Lee	D6/177
D. 237,226	10/1975	Mudde	D6/486
D. 240,343	6/1976	Moore, Jr.	D6/486
D. 249,300	9/1978	Szabo et al.	D6/486

DESCRIPTION

FIG. 1 is a perspective showing my design of a poolside table;
FIG. 2 is an end view thereof, both end views being identical;
FIG. 3 is a top plan view thereof;
FIG. 4 is a side elevation view thereof, both side elevation views being identical; and,
FIG. 5 is a bottom plan view thereof.

1 Claim, 2 Drawing Sheets

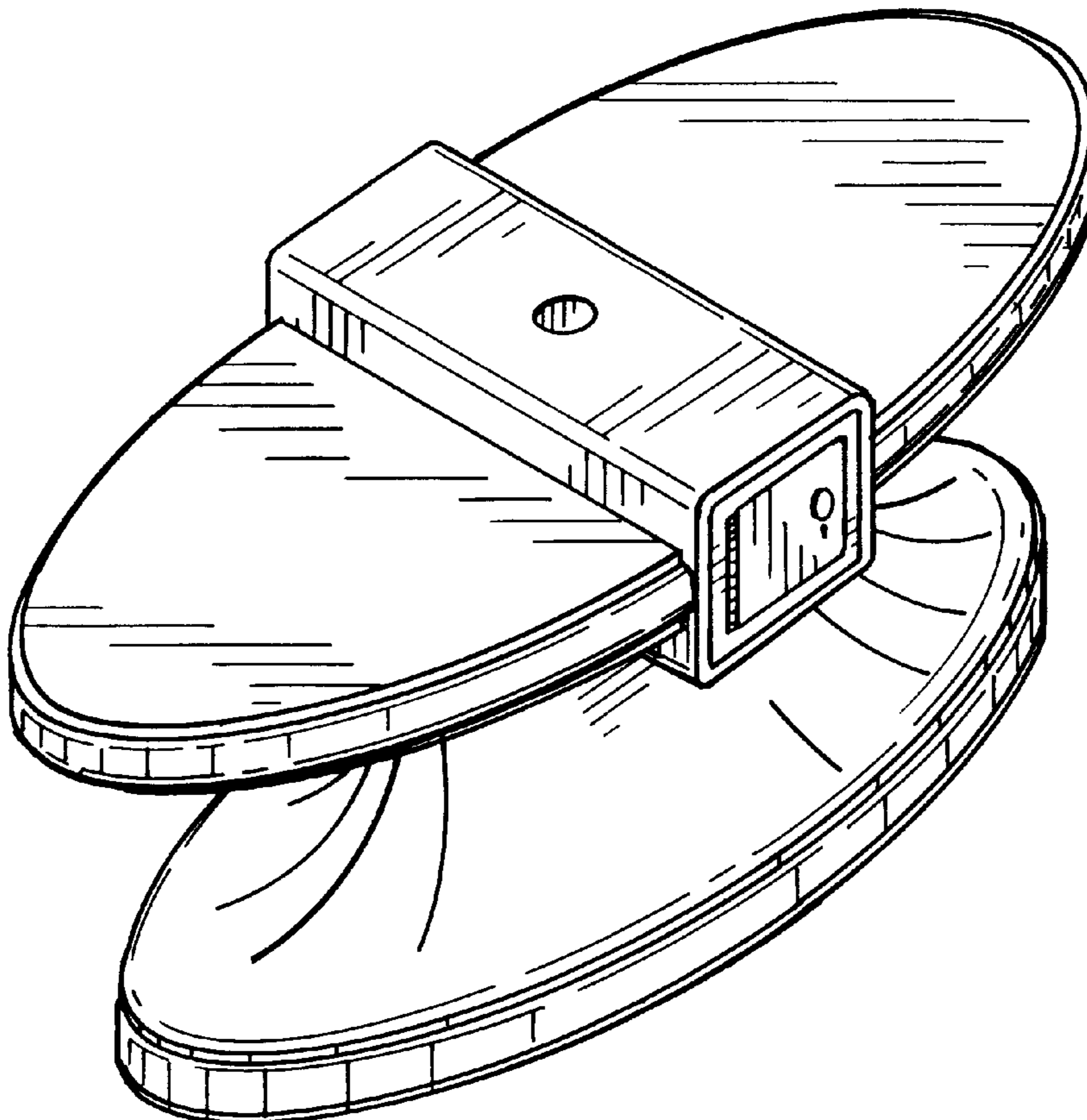


FIG. 1

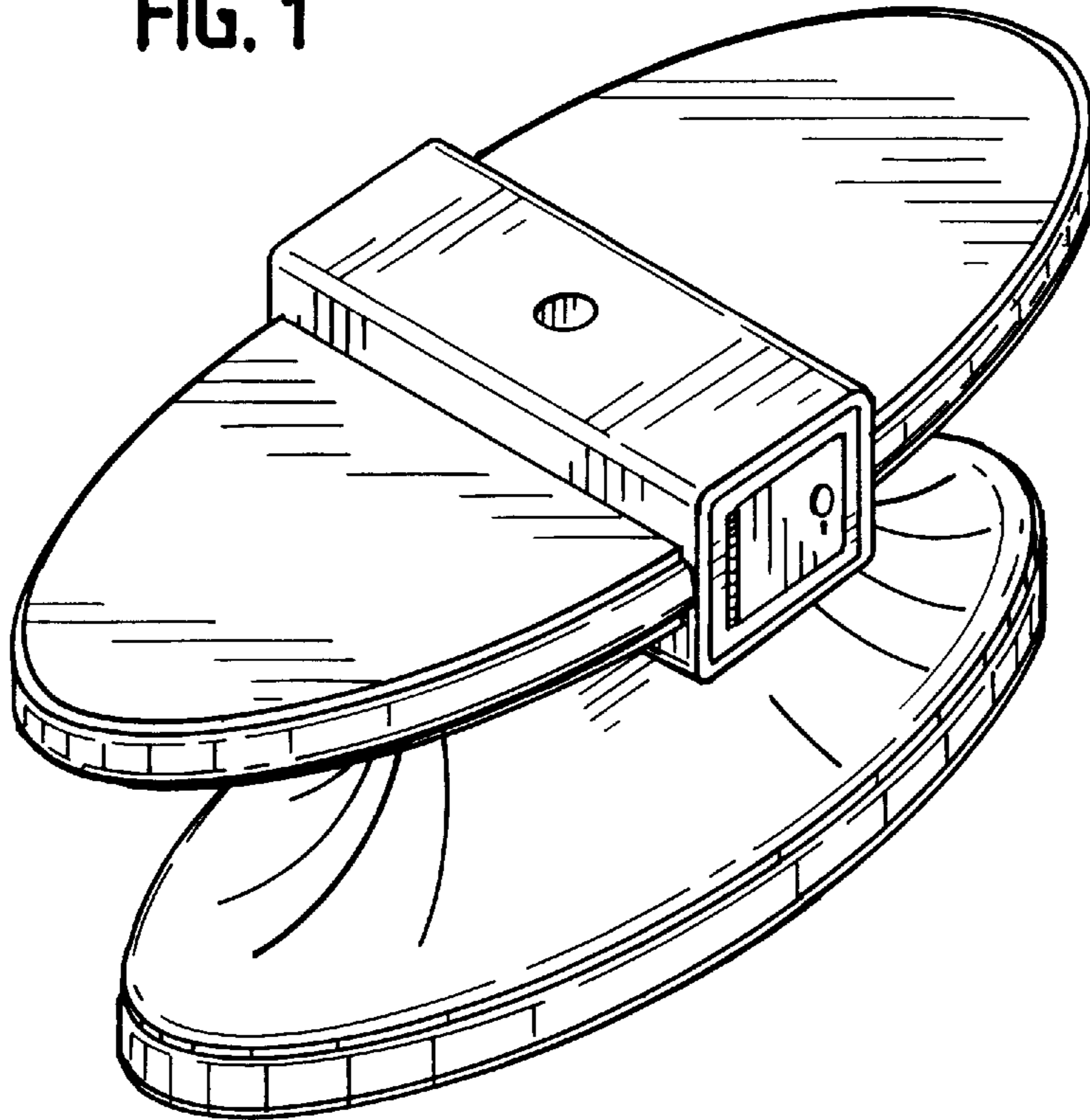


FIG. 2

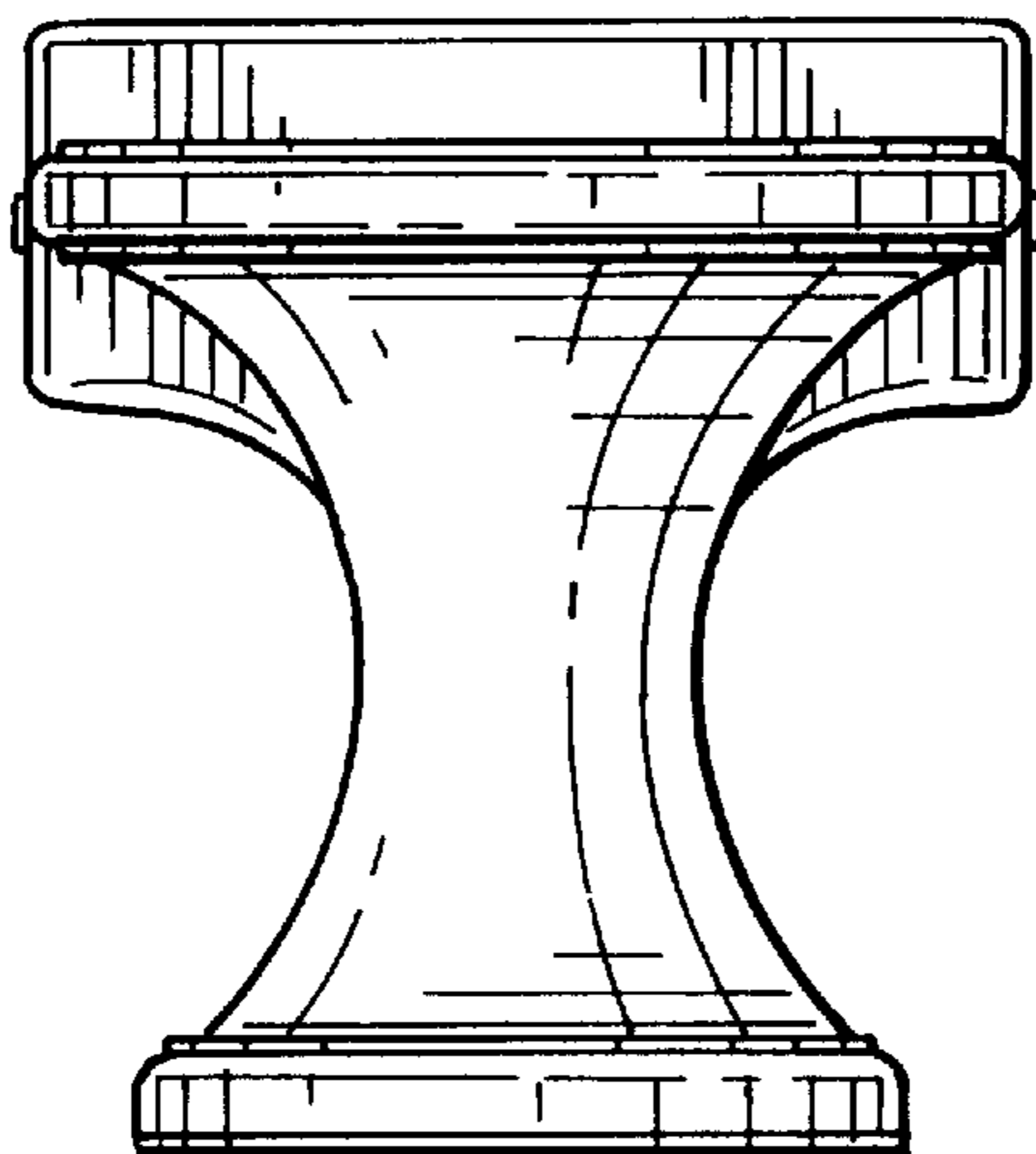


FIG. 3

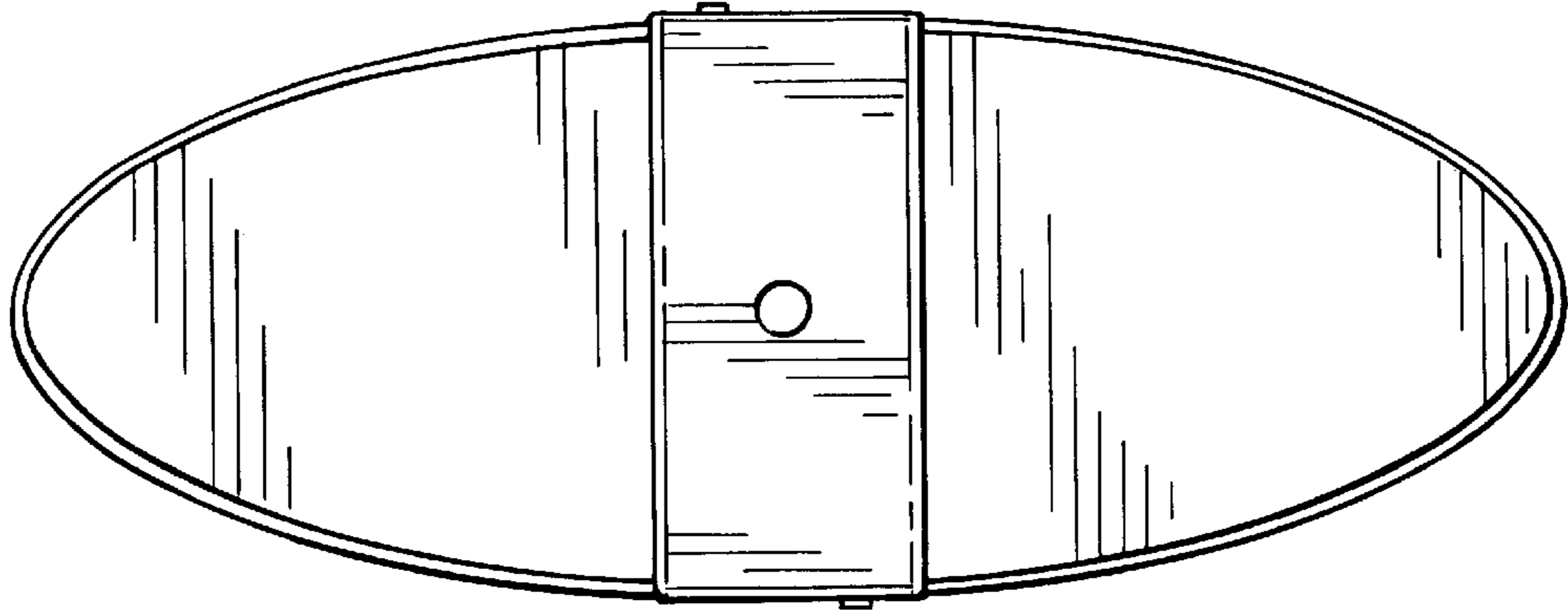


FIG. 4

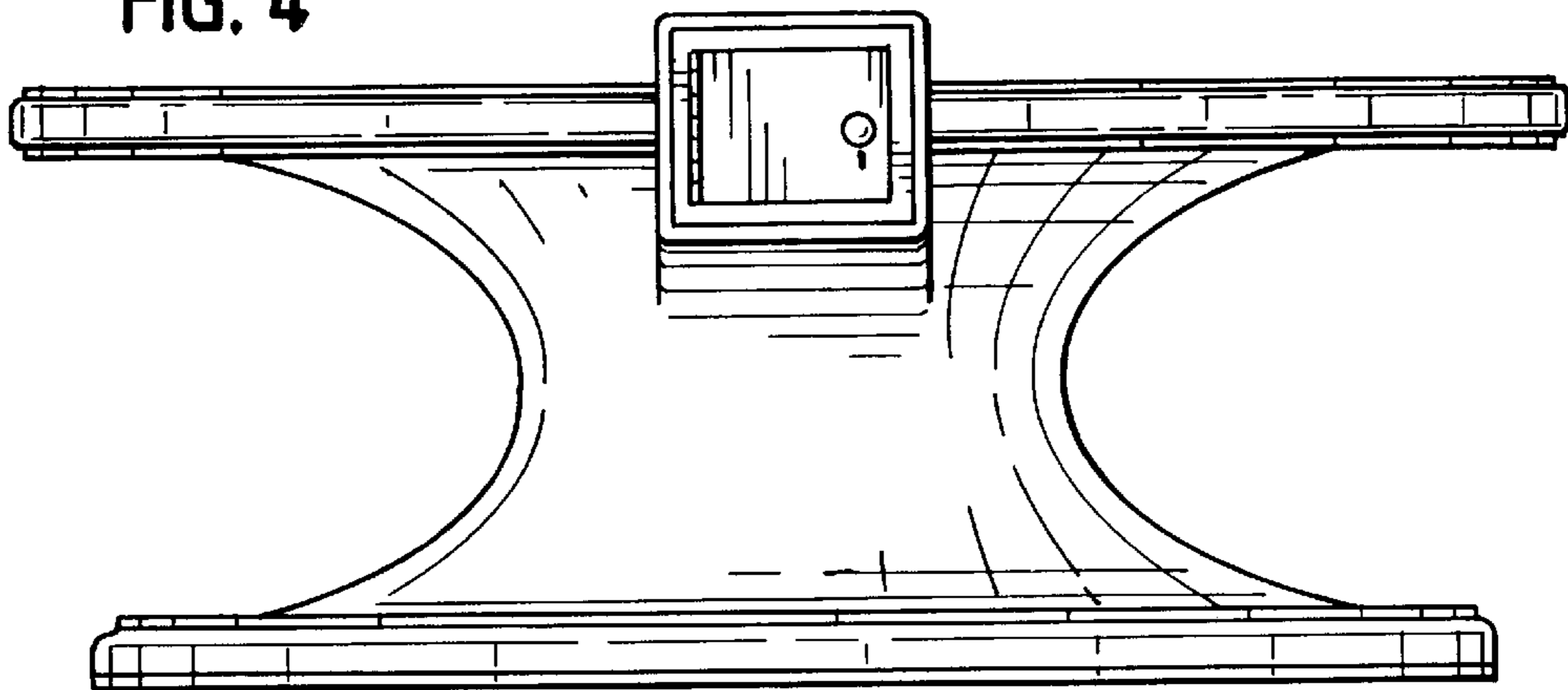


FIG. 5

