



US00D418696S

United States Patent [19] Tomar

[11] **Patent Number: Des. 418,696**
[45] **Date of Patent: ** Jan. 11, 2000**

[54] **TABLE**

[75] Inventor: **Stephen Tomar**, Los Angeles, Calif.

[73] Assignee: **Stephen Tomar Furniture, Inc.**, Los Angeles, Calif.

[**] Term: **14 Years**

[21] Appl. No.: **29/089,059**

[22] Filed: **Jun. 5, 1998**

[51] **LOC (7) Cl.** **06-03**

[52] **U.S. Cl.** **D6/484; D6/485; D6/488**

[58] **Field of Search** D6/480-489, 495,
D6/423, 422, 397; 108/153.1, 156, 161,
157.1, 65, 77, 92, 69; 248/188, 188.1

[56] **References Cited**

U.S. PATENT DOCUMENTS

D. 150,365 7/1948 Johnson D6/483
D. 193,348 8/1962 Tepper D6/397

D. 224,874 10/1972 Cook D6/488
D. 240,871 8/1976 Hermann D6/488

OTHER PUBLICATIONS

DIA, #6502-5 table.

Primary Examiner—Janice E. Seeger
Attorney, Agent, or Firm—Pretty, Schroeder & Poplawski

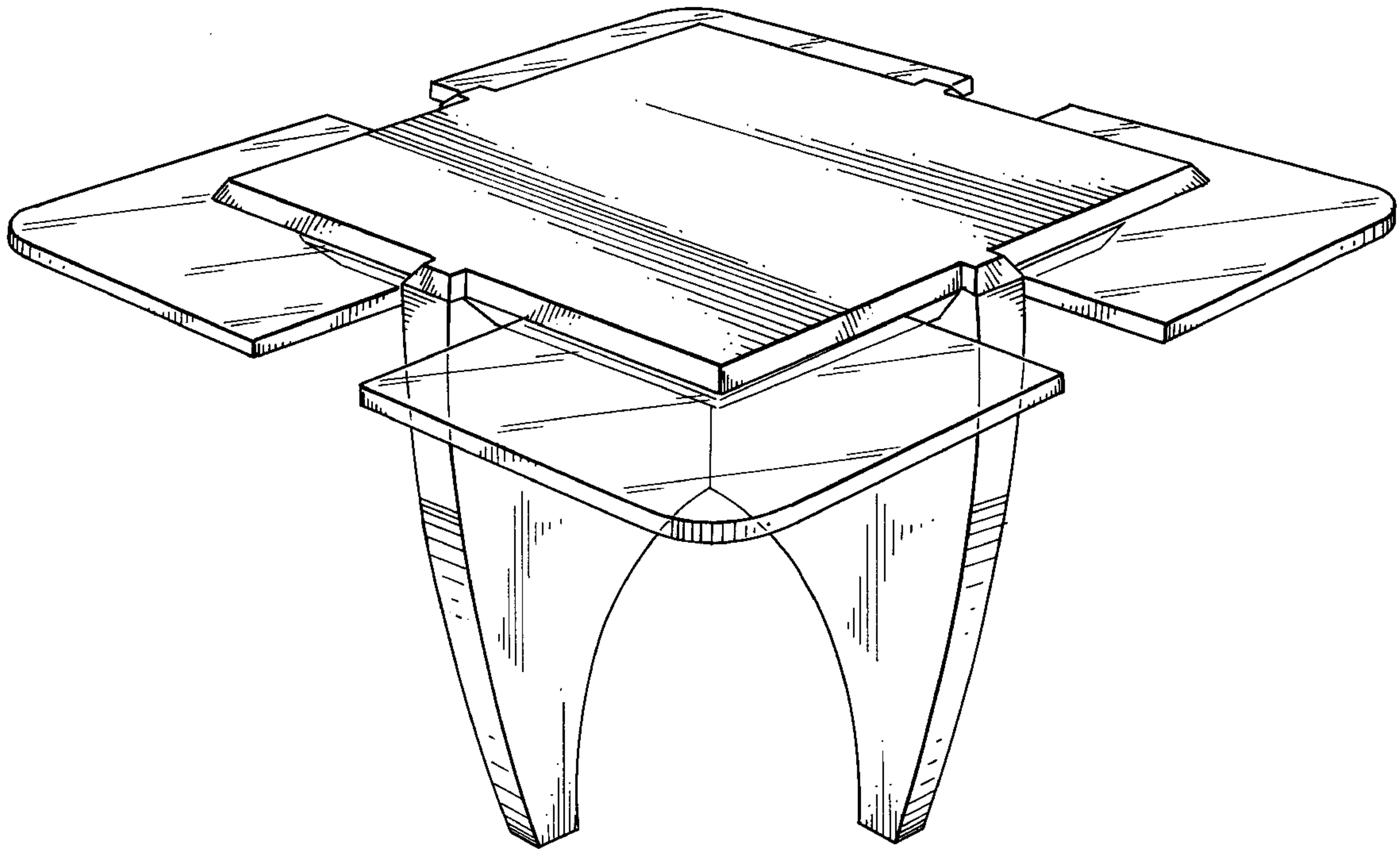
[57] **CLAIM**

The ornamental design for a table, as shown and described.

DESCRIPTION

FIG. 1 is a perspective view of the table showing my new design;
FIG. 2 is a top elevational view thereof; and,
FIG. 3 is a side elevational view thereof.
The sides of the table not shown are identical to that shown in FIG. 3. The bottom of the table is not part of the claimed design.

1 Claim, 3 Drawing Sheets



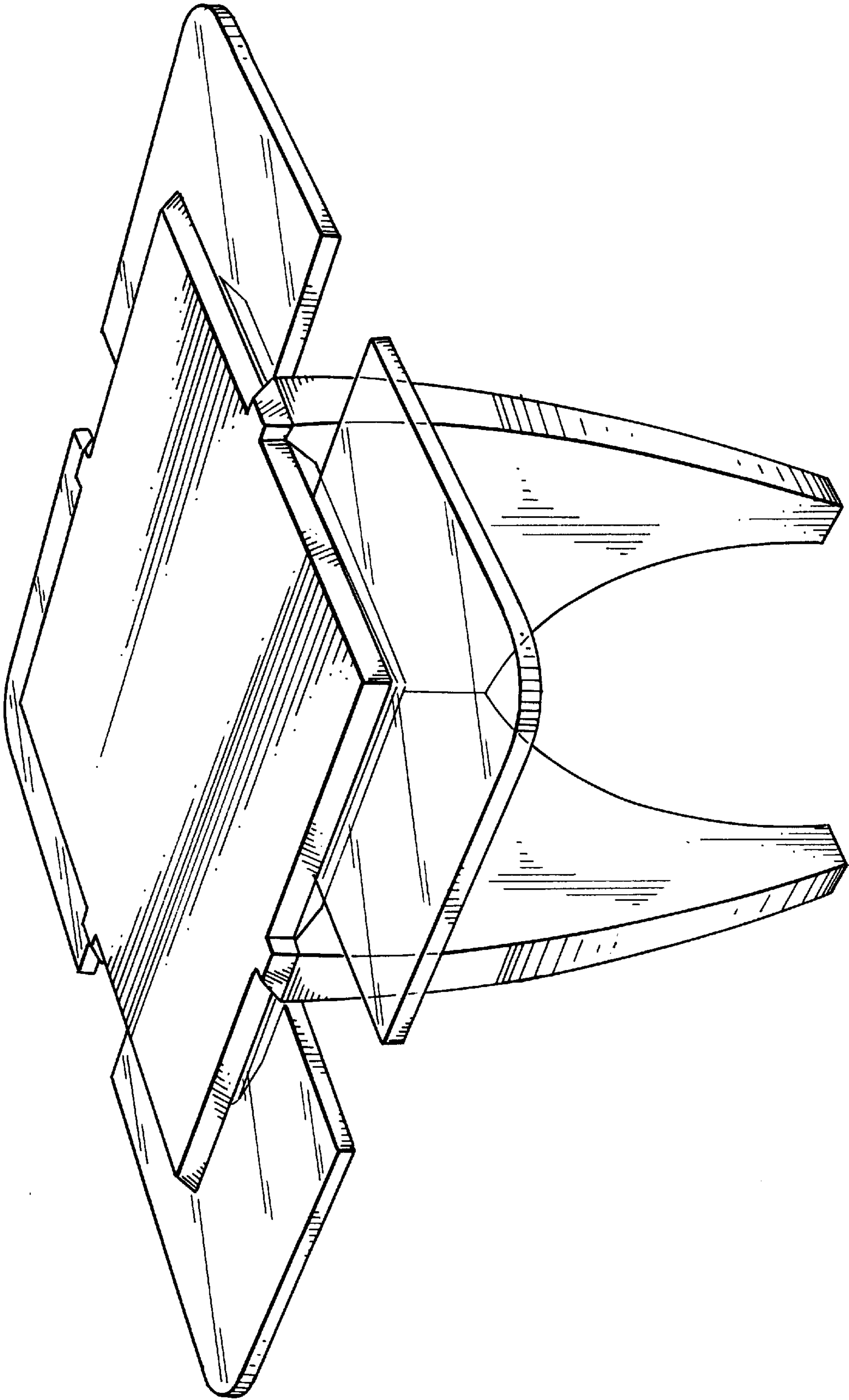


FIG. 1

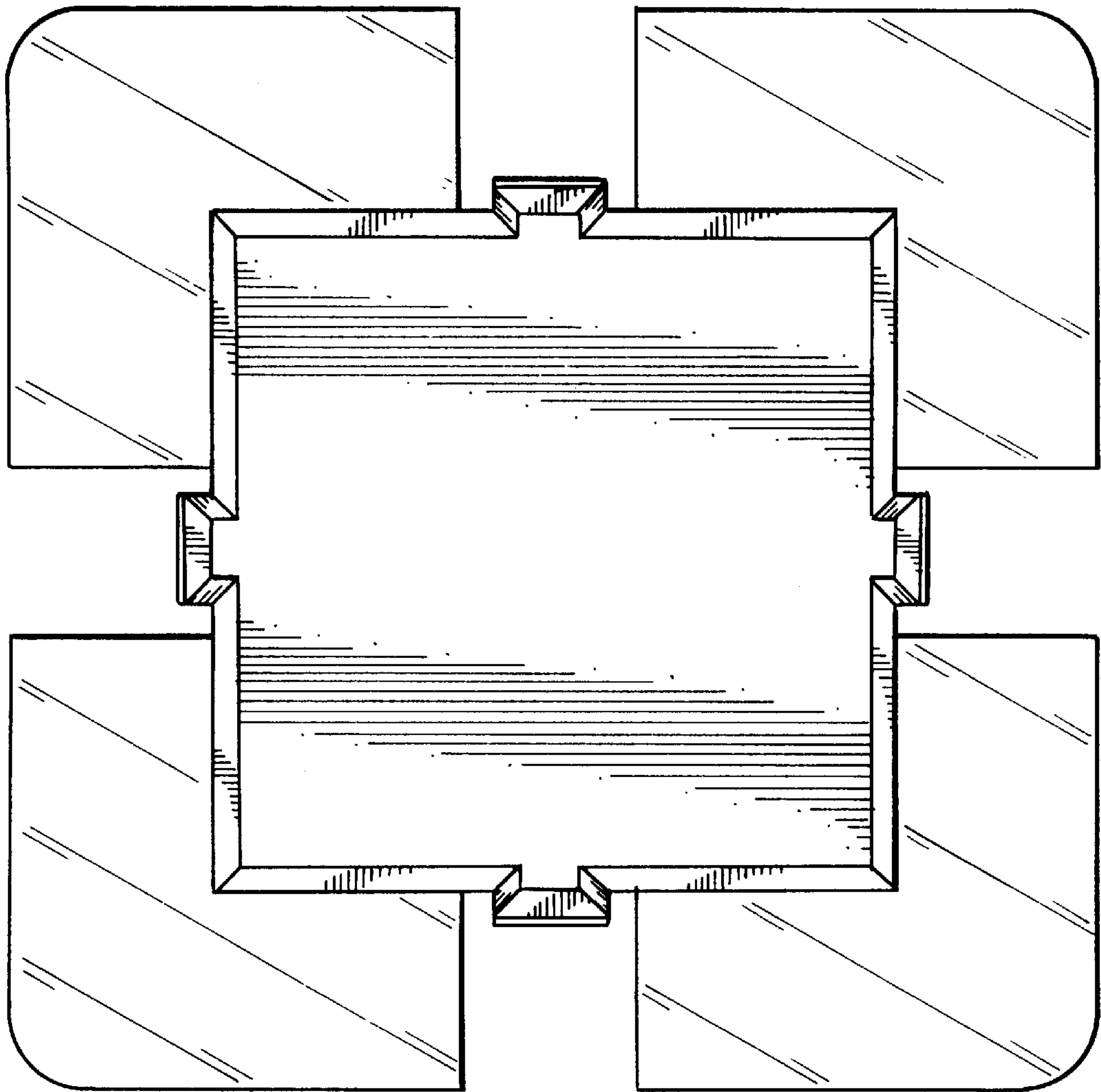


FIG. 2

FIG. 3

