



US00D418694S

United States Patent [19]
McColskey et al.

[11] **Patent Number: Des. 418,694**
[45] **Date of Patent: ** Jan. 11, 2000**

[54] **RACK FOR READING MATERIALS**

3,149,724 9/1964 Magers 211/42
3,149,726 9/1964 Magers 211/133.1 X
3,149,727 9/1964 Magers 211/133.1 X

[75] Inventors: **Laura McColskey**, West Palm Beach;
Ryan Mimick, Coral Springs; **Denise Tedaldi**, Jupiter, all of Fla.

Primary Examiner—Doris V. Coles
Assistant Examiner—Linda Brooks
Attorney, Agent, or Firm—Quarles & Brady LLP

[73] Assignee: **Levenger Company**, Delray Beach, Fla.

[57] **CLAIM**

[**] Term: **14 Years**

The ornamental design for a rack for reading materials, as shown and described.

[21] Appl. No.: **29/097,381**

DESCRIPTION

[22] Filed: **Dec. 4, 1998**

[51] **LOC (7) Cl.** **06-04**

FIG. 1 is a perspective view.
FIG. 2 is a front elevation view, with the casters in alternate position, the rear elevation view being a mirror image thereof.

[52] **U.S. Cl.** **D6/473**

[58] **Field of Search** D6/473-479; D34/17, D34/19, 20, 21; 312/249.8-249.13, 204, 257.1; 280/47.35, 79.3; 211/42, 85.8, 133.1

FIG. 3 is a left side elevation view, with the casters in alternate position, the opposite side elevation view being a mirror image thereof.

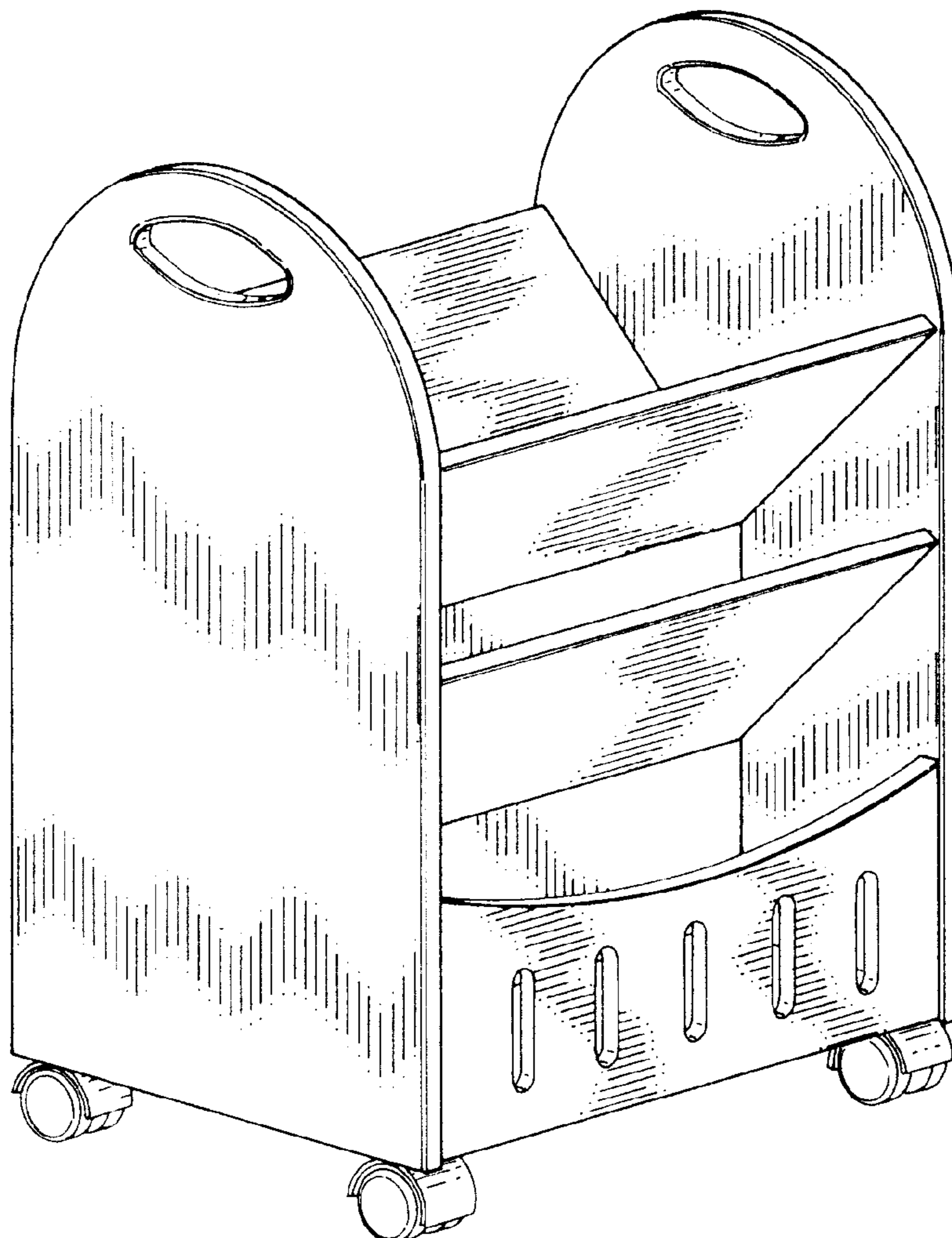
[56] **References Cited**

FIG. 4 is a top plan view; and,
FIG. 5 is a bottom plan view with the casters in alternate position.

U.S. PATENT DOCUMENTS

D. 190,587 6/1961 Magers D6/473
D. 337,673 7/1993 Goetz D6/473

1 Claim, 2 Drawing Sheets



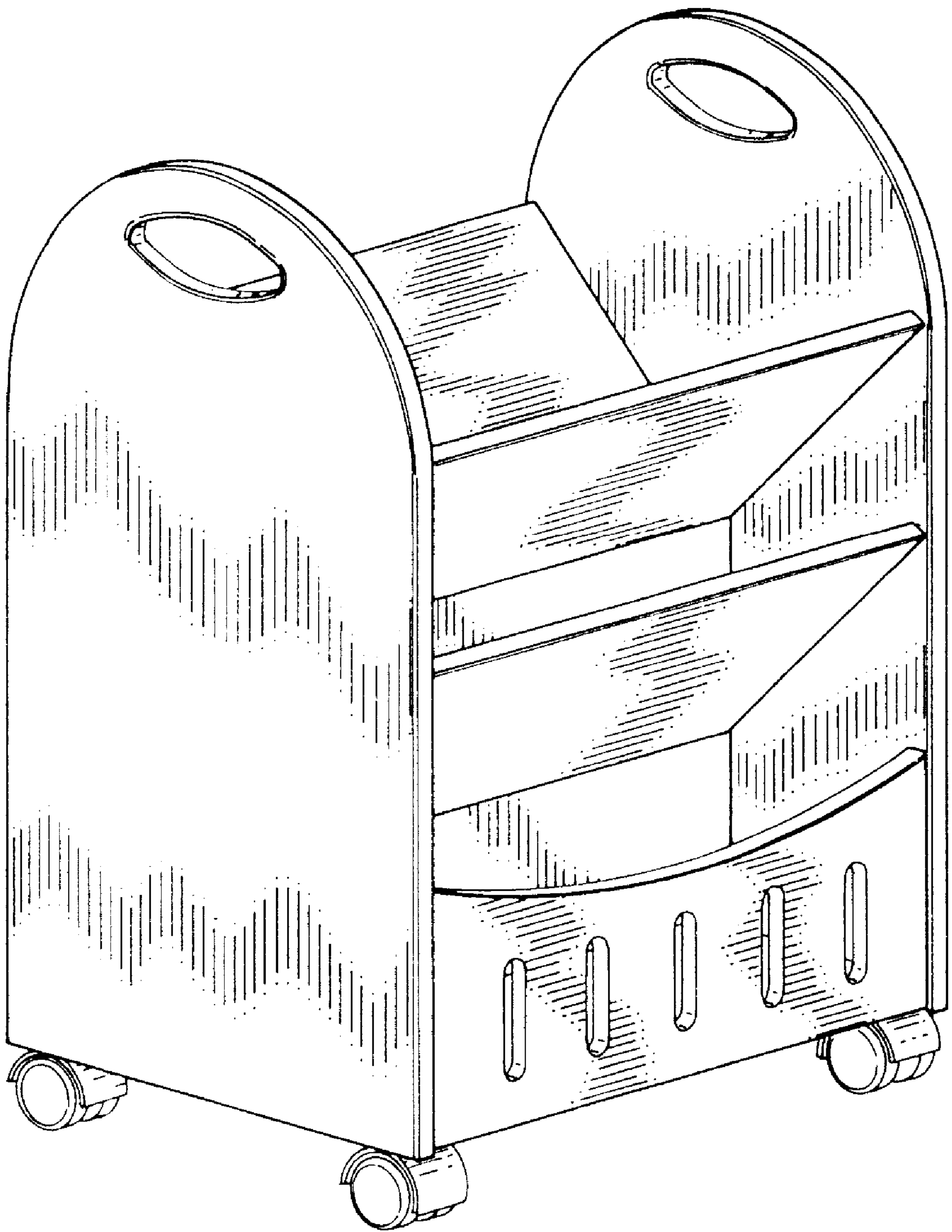


FIG. 1

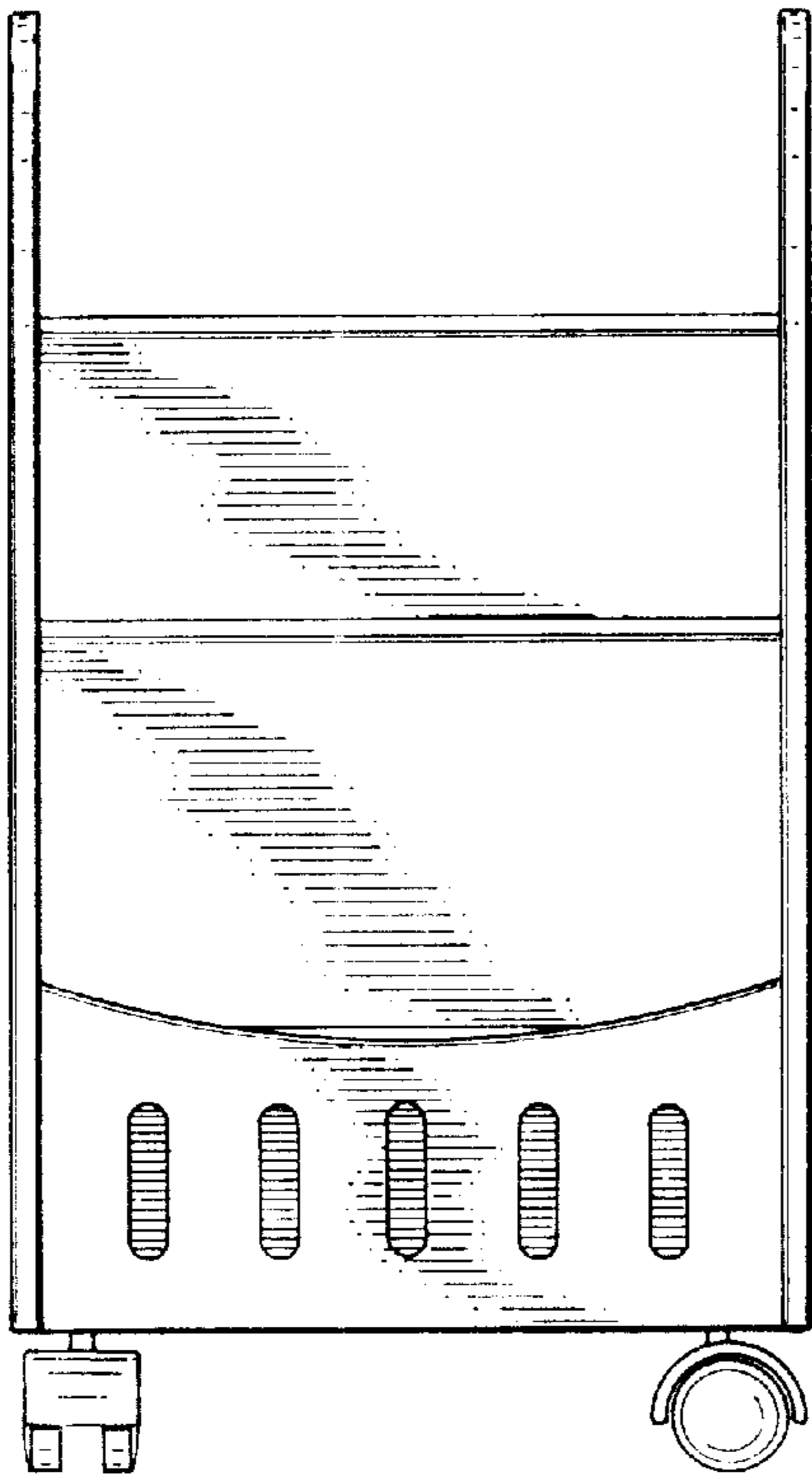


FIG. 2

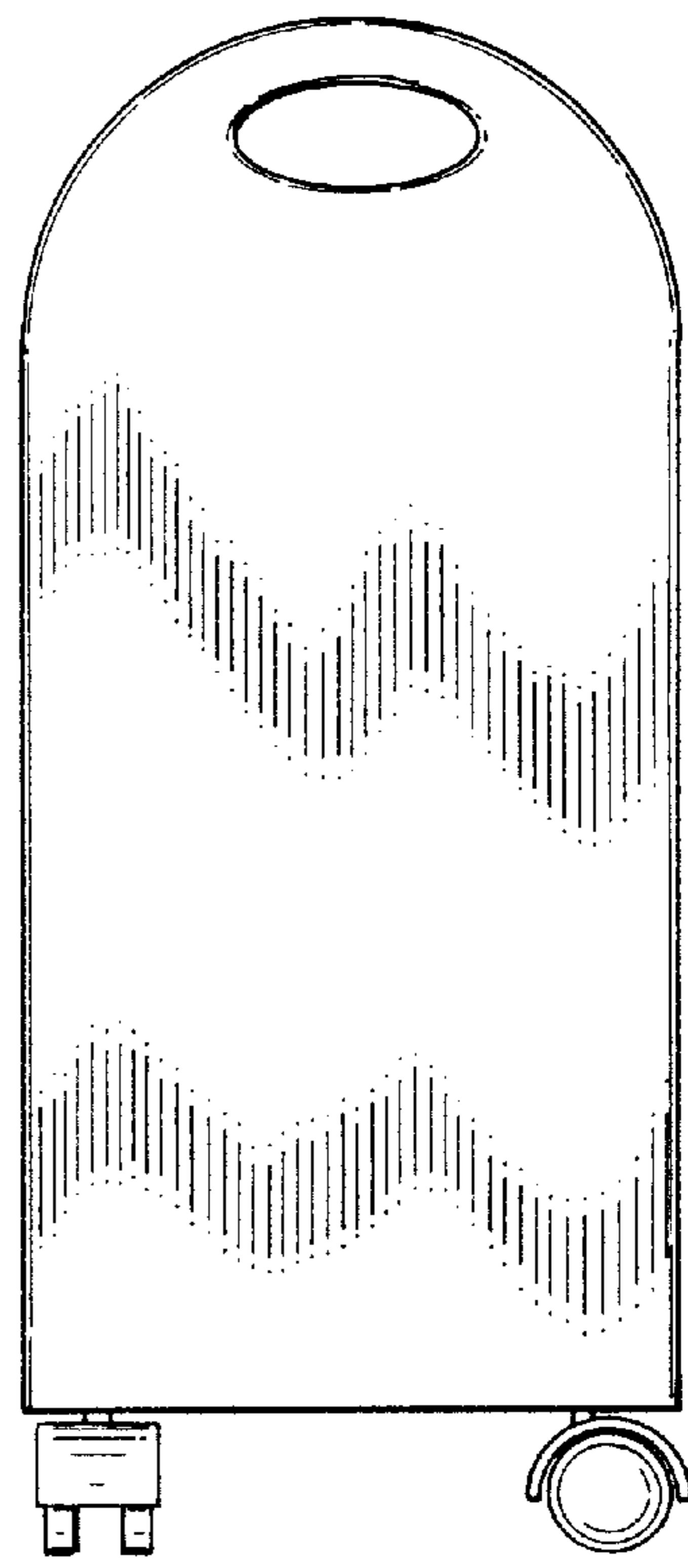


FIG. 3

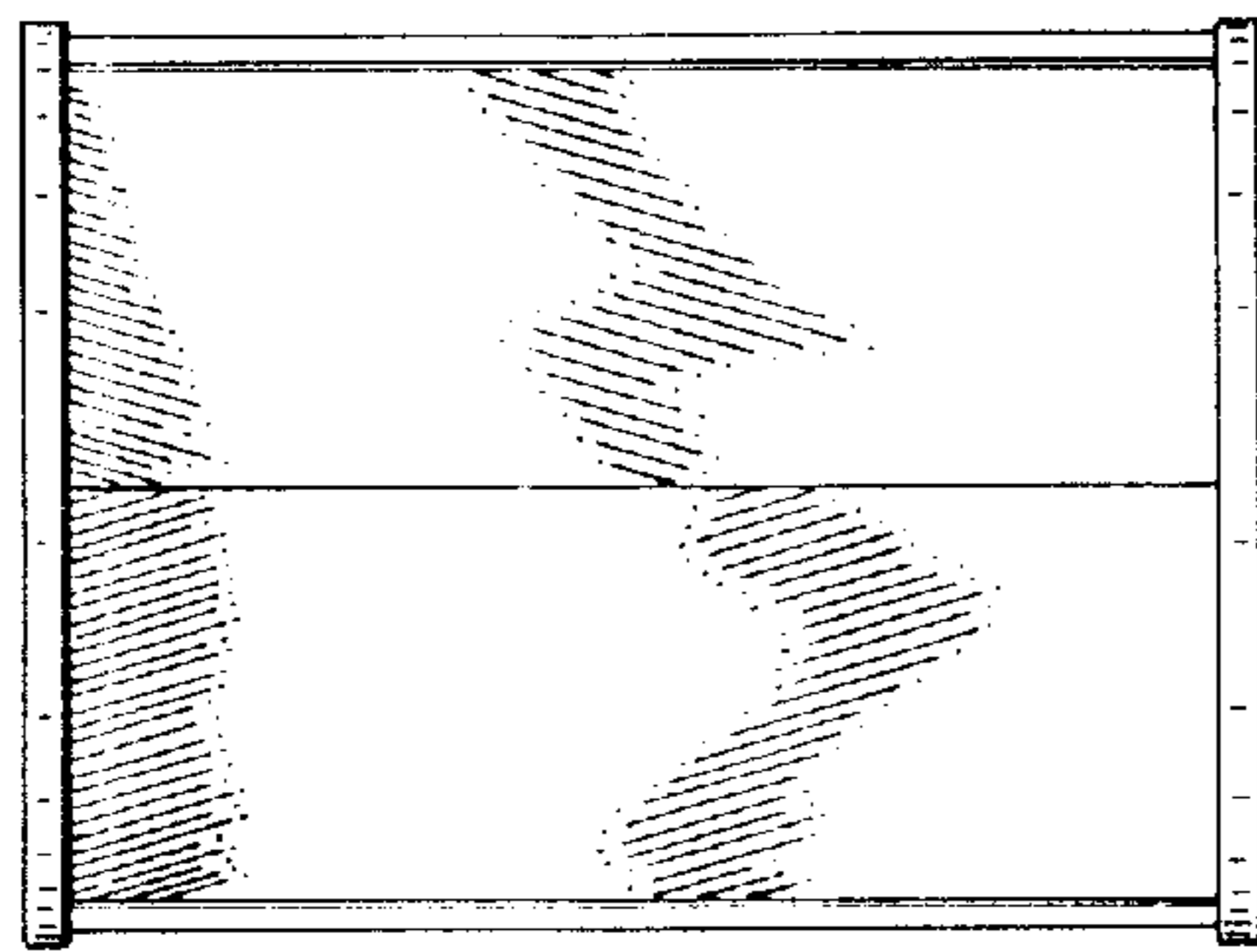


FIG. 4

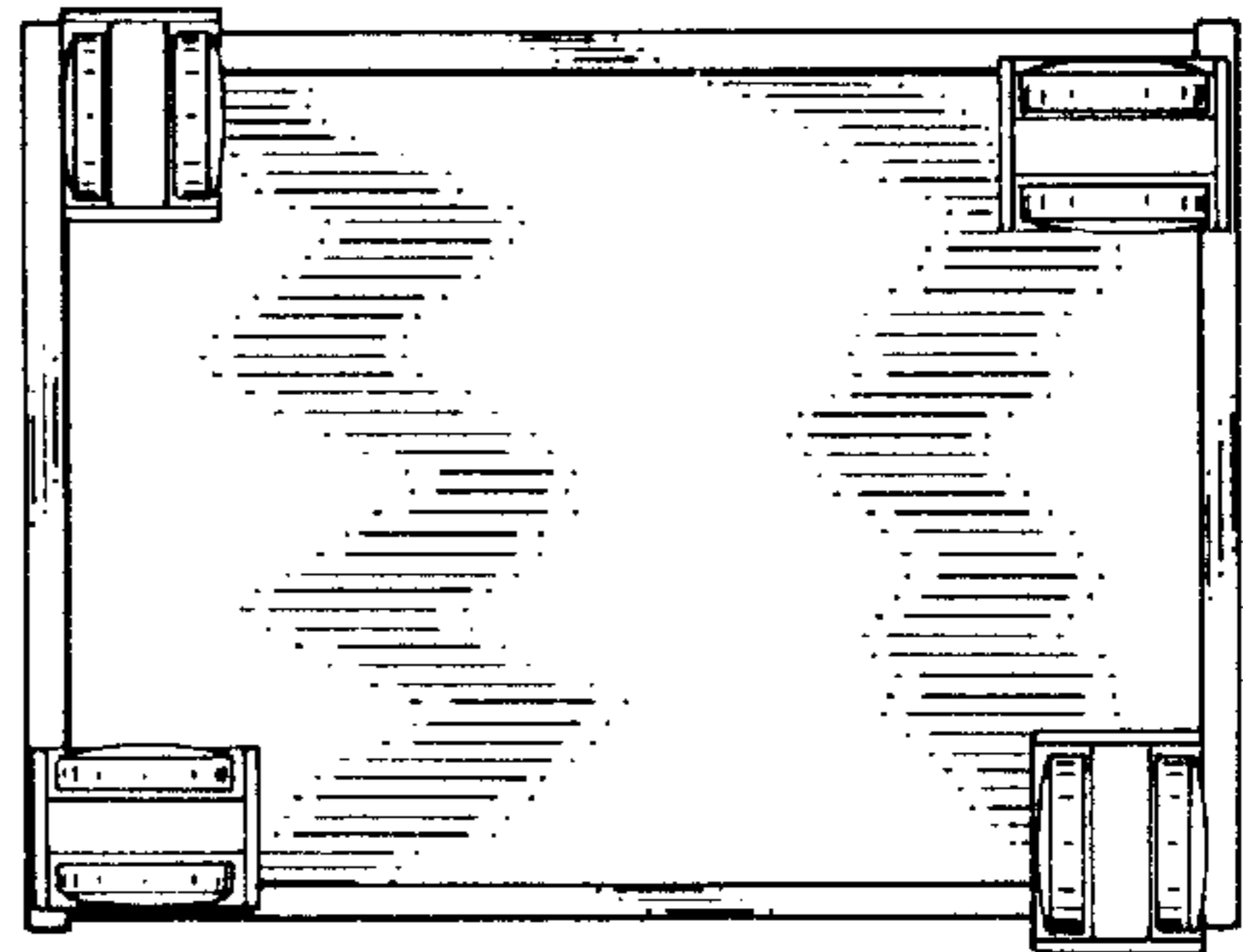


FIG. 5