



US00D418693S

**United States Patent** [19]  
**Kopala, Jr.**

[11] **Patent Number: Des. 418,693**  
[45] **Date of Patent: \*\* Jan. 11, 2000**

[54] **DISPLAY RACK**

[75] Inventor: **Walter W. Kopala, Jr.**, Coto de Caza, Calif.

[73] Assignee: **Alltrade Inc.**, Long Beach, Calif.

[\*\*] Term: **14 Years**

[21] Appl. No.: **29/100,161**

[22] Filed: **Feb. 5, 1999**

[51] **LOC (7) Cl.** ..... **06-04**

[52] **U.S. Cl.** ..... **D6/462**

[58] **Field of Search** ..... D6/462-468, 475, D6/476, 408, 509-511; 211/59.2, 181.1, 182, 85.26, 44, 10, 11; 248/146, 152; D20/43

[56] **References Cited**

**U.S. PATENT DOCUMENTS**

- D. 252,968 9/1979 Elliott ..... D6/510
- D. 263,538 3/1982 Briggs et al. .... D6/408
- D. 288,394 2/1987 Canter ..... D6/475

- D. 316,729 5/1991 Crowley ..... D20/43
- D. 333,934 3/1993 Ozawa ..... D6/510 X
- D. 402,130 12/1998 Wolff ..... D6/511 X
- D. 406,478 3/1999 Rahman ..... D6/475

*Primary Examiner*—Doris V. Coles  
*Assistant Examiner*—Linda Brooks  
*Attorney, Agent, or Firm*—Robert R. Thornton

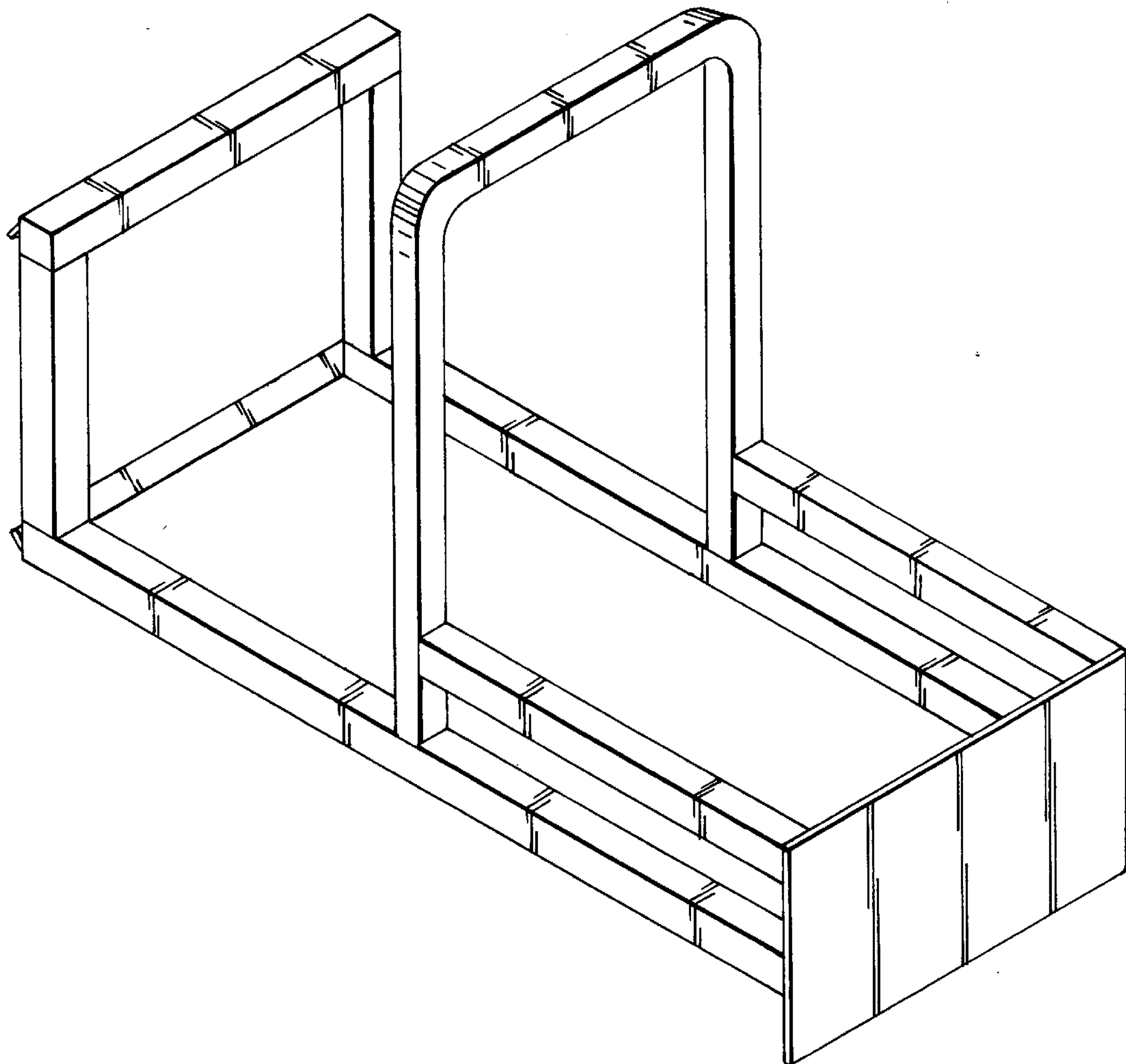
[57] **CLAIM**

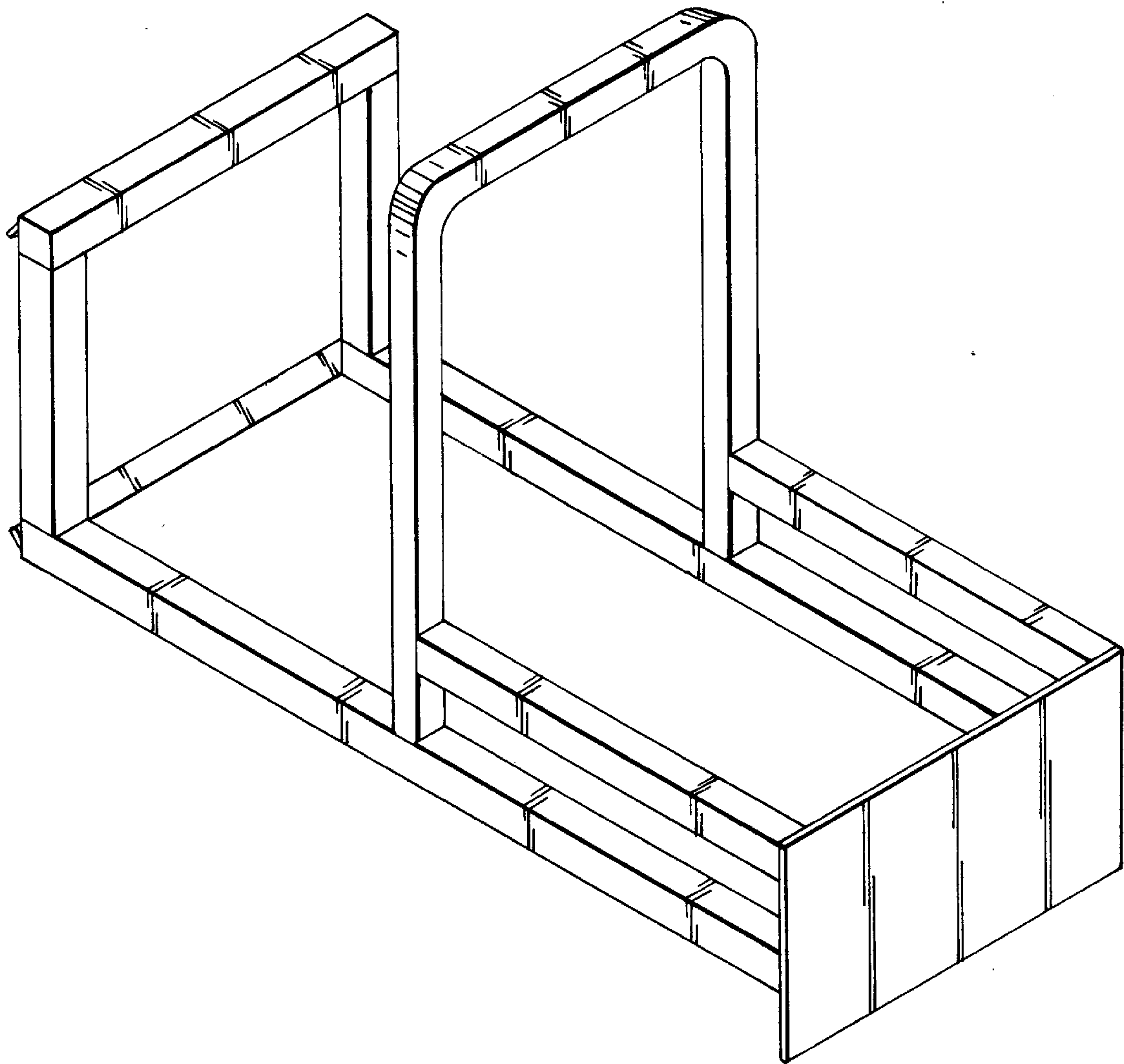
The ornamental design for a display rack, as shown and described.

**DESCRIPTION**

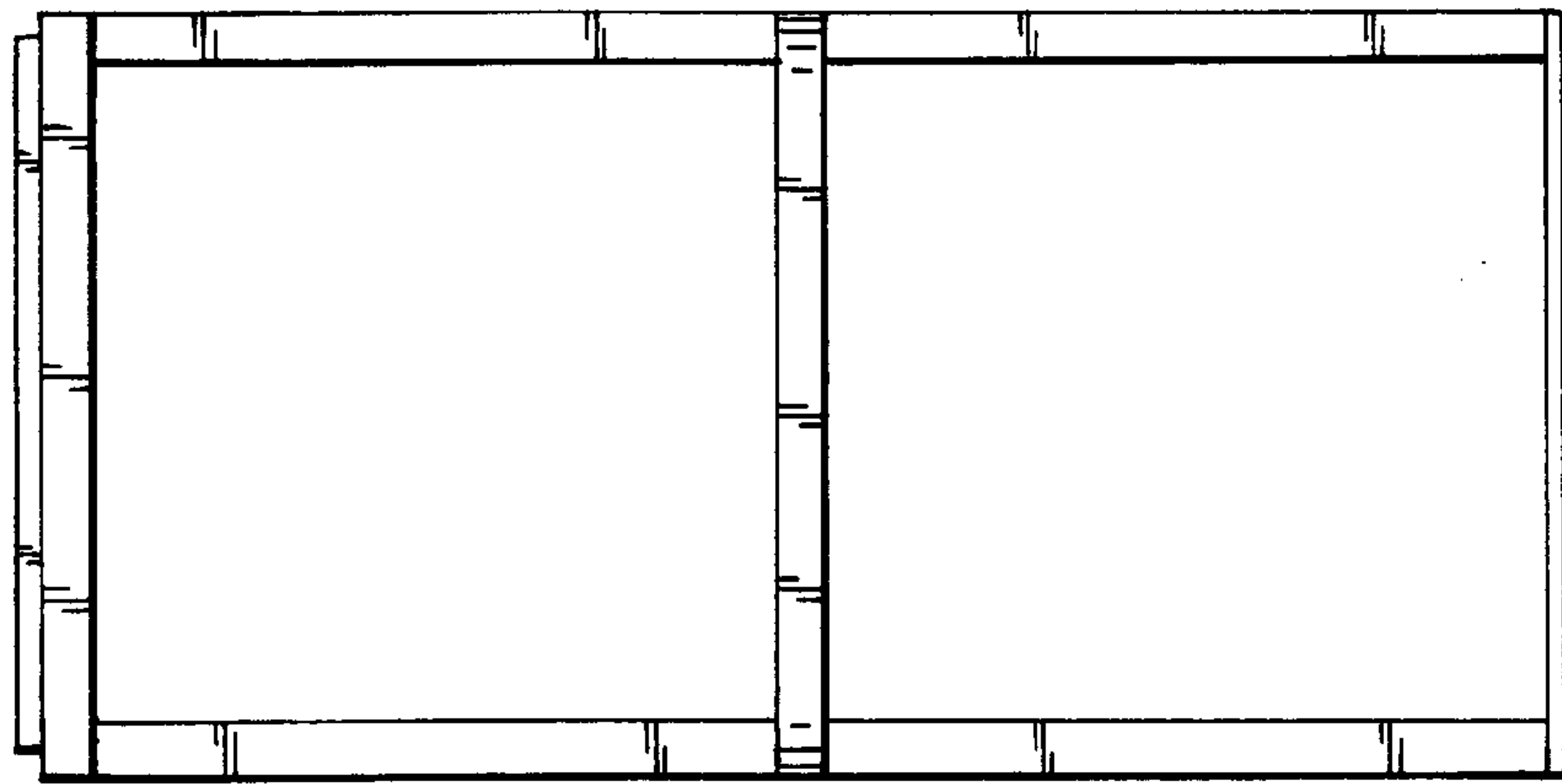
FIG. 1 is a perspective view of a display rack showing my new design;  
FIG. 2 is a top plan view thereof;  
FIG. 3 is a front elevational view thereof;  
FIG. 4 is a left side elevational view thereof, the right side elevational view being a mirror image thereof;  
FIG. 5 is a bottom plan view thereof; and,  
FIG. 6 is a rear elevational view thereof.

**1 Claim, 3 Drawing Sheets**



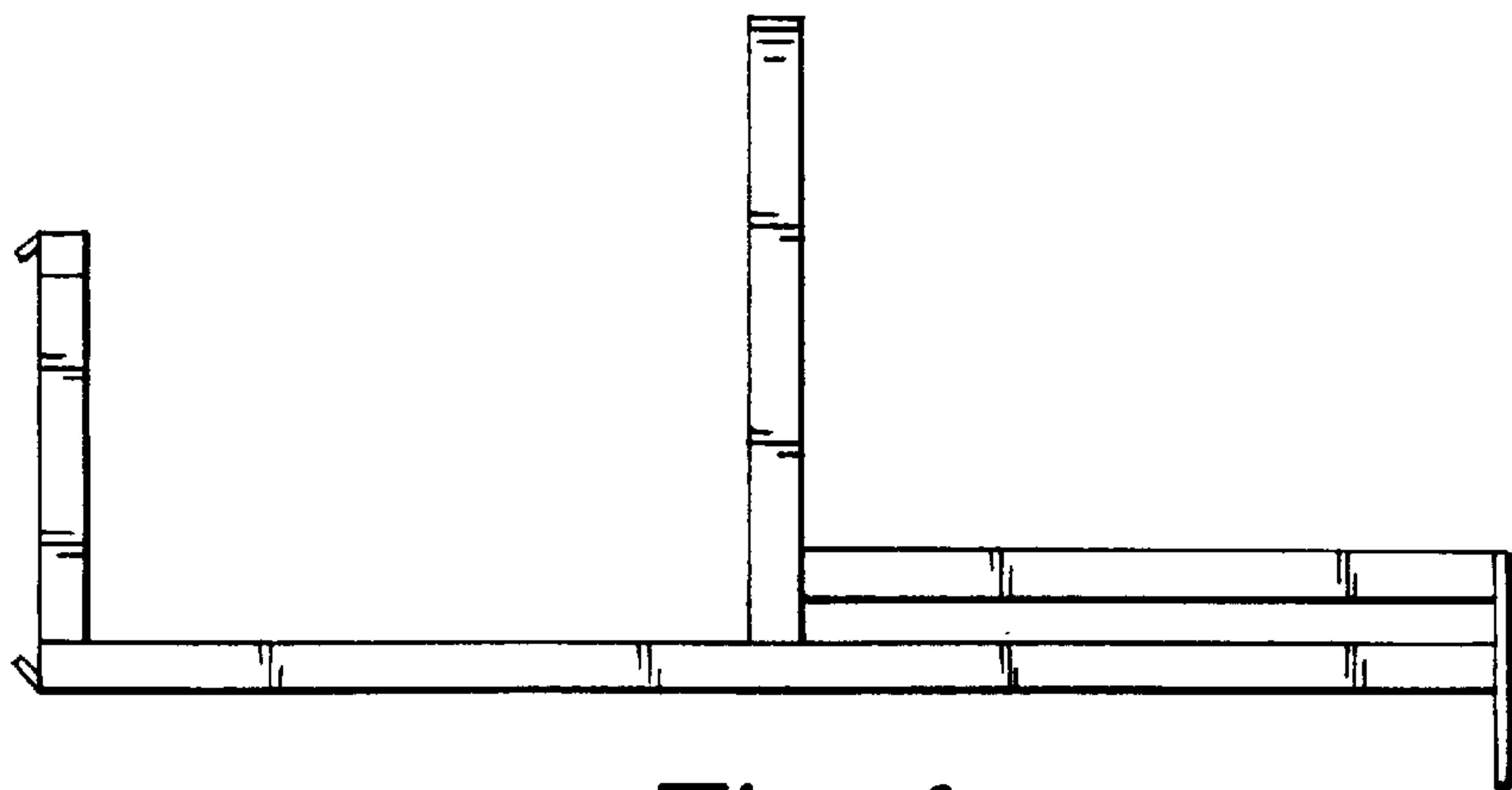
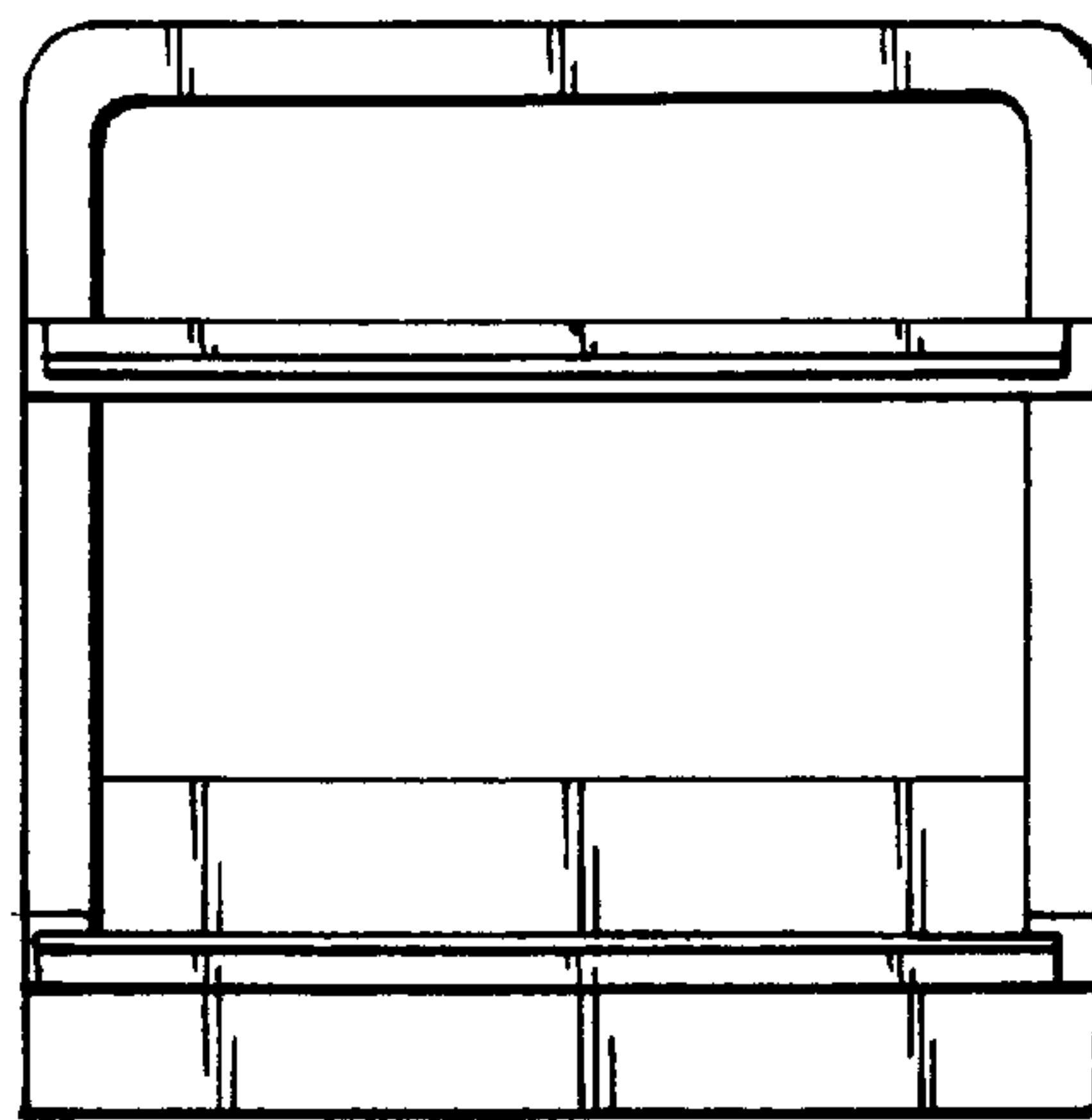


*Fig. 1*

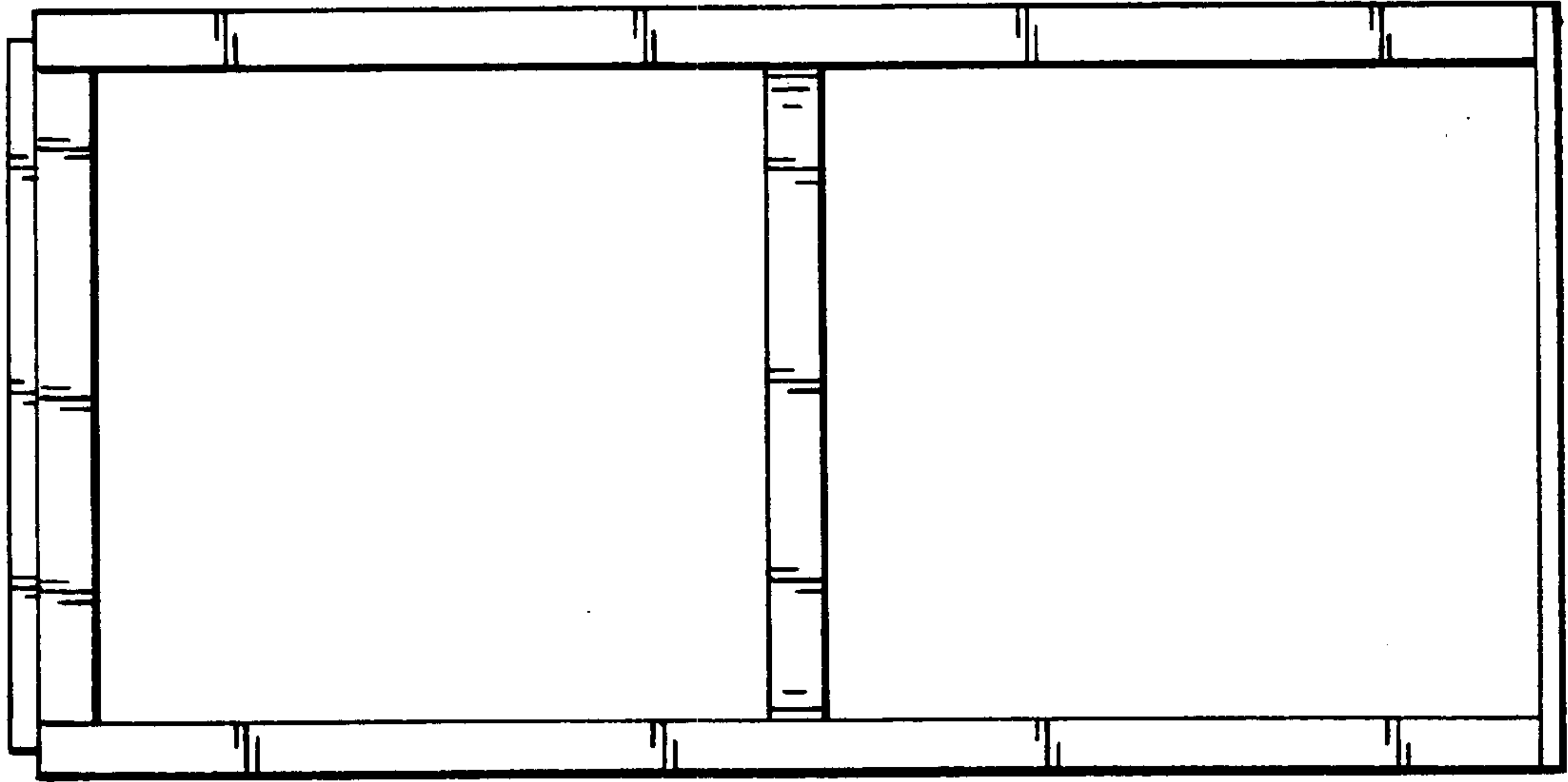


*Fig. 2*

*Fig. 3*



*Fig. 4*



*Fig. 5*

*Fig. 6*

