



US00D418692S

United States Patent [19]

[11] **Patent Number: Des. 418,692**

Funawatari et al.

[45] **Date of Patent: ** Jan. 11, 2000**

[54] **CASE FOR A DISC**

[75] Inventors: **Takatsugu Funawatari; Shuichi Kikuchi**, both of Tokyo, Japan

[73] Assignee: **Sony Corporation**, Tokyo, Japan

[**] Term: **14 Years**

[21] Appl. No.: **29/091,988**

[22] Filed: **Aug. 10, 1998**

[30] Foreign Application Priority Data

Feb. 9, 1998 [JP] Japan 10-3411

[51] **LOC (7) Cl.** **06-04**

[52] **U.S. Cl.** **D6/407**

[58] **Field of Search** D6/407, 626-635; 211/401, 41.12, 42; D3/273, 294; 206/307, 307.1, 308.1-308.3, 387.1, 387.11-387.15, 425, 457, 472-475

[56] References Cited

U.S. PATENT DOCUMENTS

- D. 391,798 3/1998 Kirihara et al. D6/634
- D. 392,500 3/1998 McEwan D6/634
- D. 407,591 4/1999 Bologna et al. D6/627
- 5,520,279 5/1996 Lin 206/308.1

OTHER PUBLICATIONS

Catalog "Recording Media & Battery Catalog", p. 7, Sony (Oct., 1997).

Primary Examiner—Doris V. Coles
Assistant Examiner—Linda Brooks
Attorney, Agent, or Firm—Foley & Lardner

[57] CLAIM

The ornamental design for a case for a disc, as shown and described.

DESCRIPTION

FIG. 1 is a perspective view of a first embodiment of a case for a disc showing our new design;
 FIG. 2 is a top plan view thereof;
 FIG. 3 is a left side elevational view thereof;
 FIG. 4 is a front elevational view thereof;
 FIG. 5 is a bottom plan view thereof;
 FIG. 6 is a right side elevational view thereof; and,
 FIG. 7 is a rear elevational view thereof.
 FIG. 8 is a rear elevational view of a second embodiment of a case for a disc showing our new design, the rest of the views of the second embodiment are the same as those of the first embodiment;
 FIG. 9 is a perspective view of a third embodiment of a case for a disc showing our new design;
 FIG. 10 is a top plan view of the embodiment thereof;
 FIG. 11 is a left side elevational view thereof;
 FIG. 12 is a front elevational view thereof;
 FIG. 13 is a bottom plan view thereof;
 FIG. 14 is a right side elevational view thereof; and,
 FIG. 15 is a rear elevational view thereof.

1 Claim, 6 Drawing Sheets

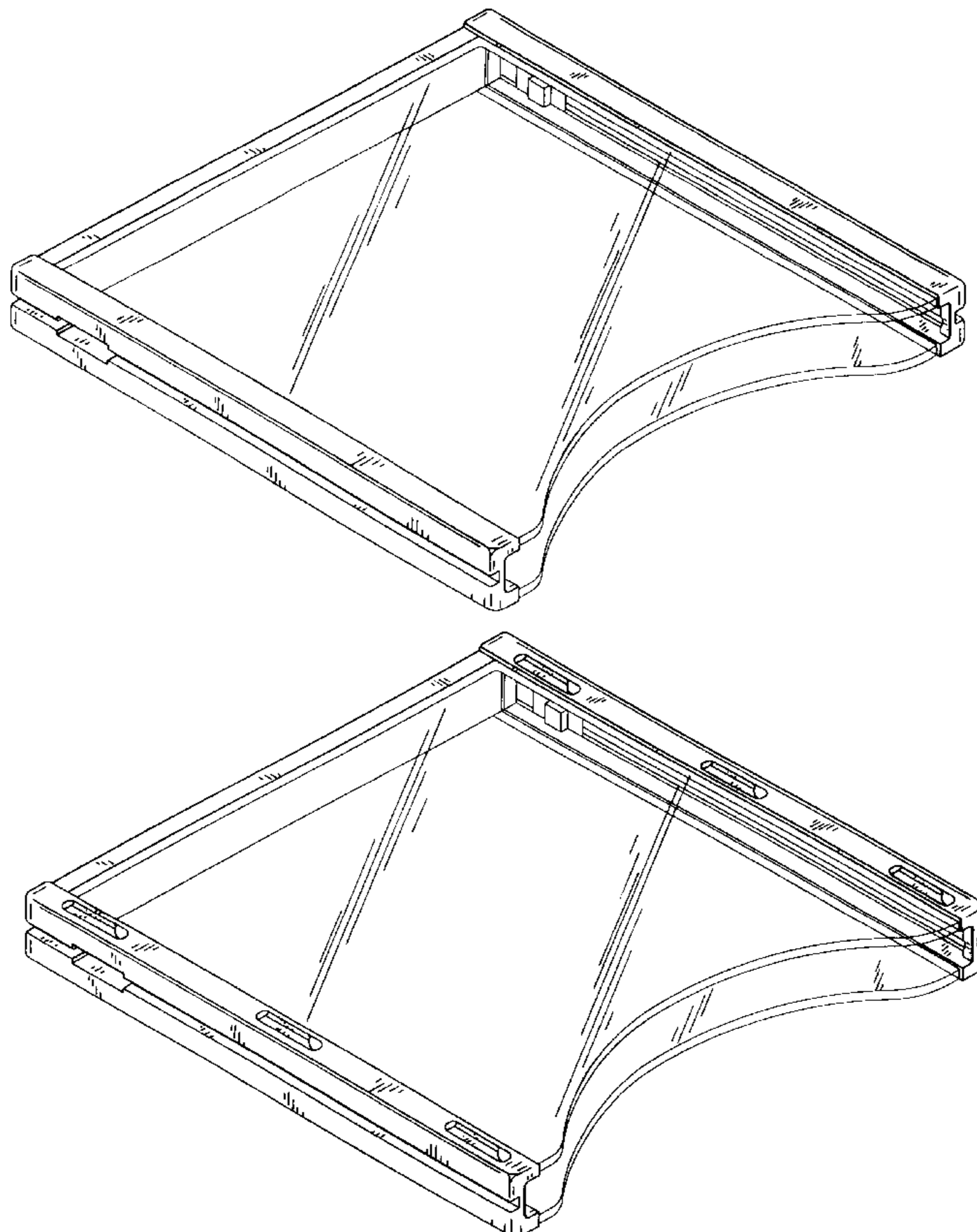


FIG. 1

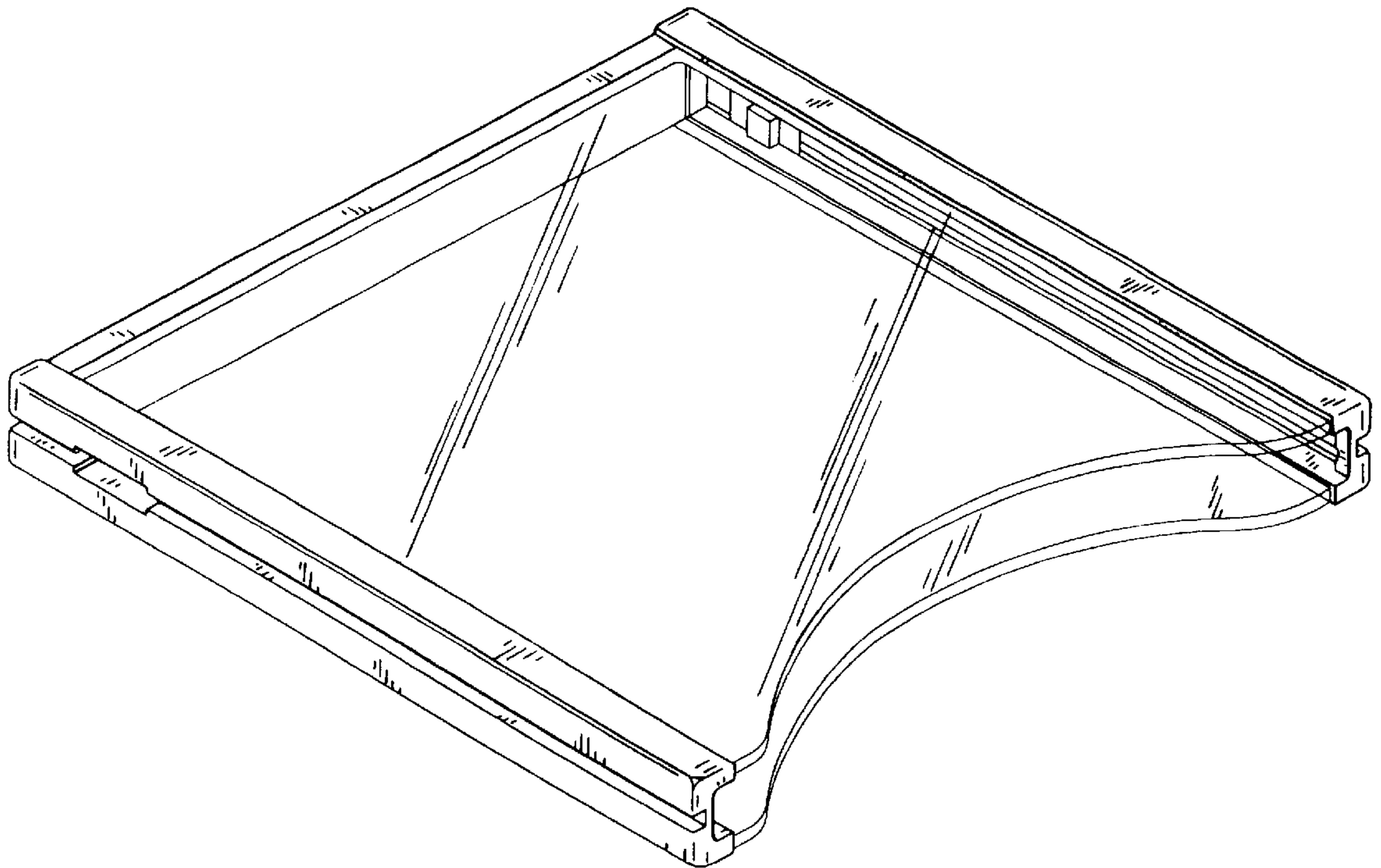


FIG. 2

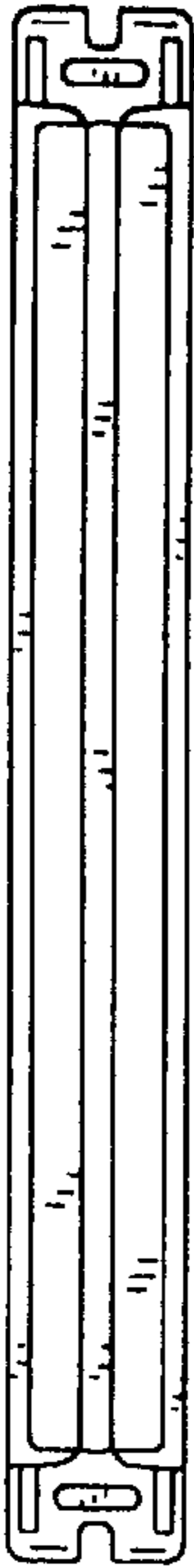


FIG. 3

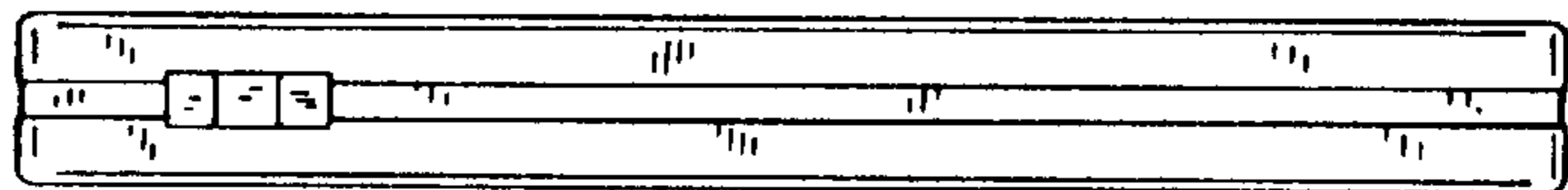


FIG. 4

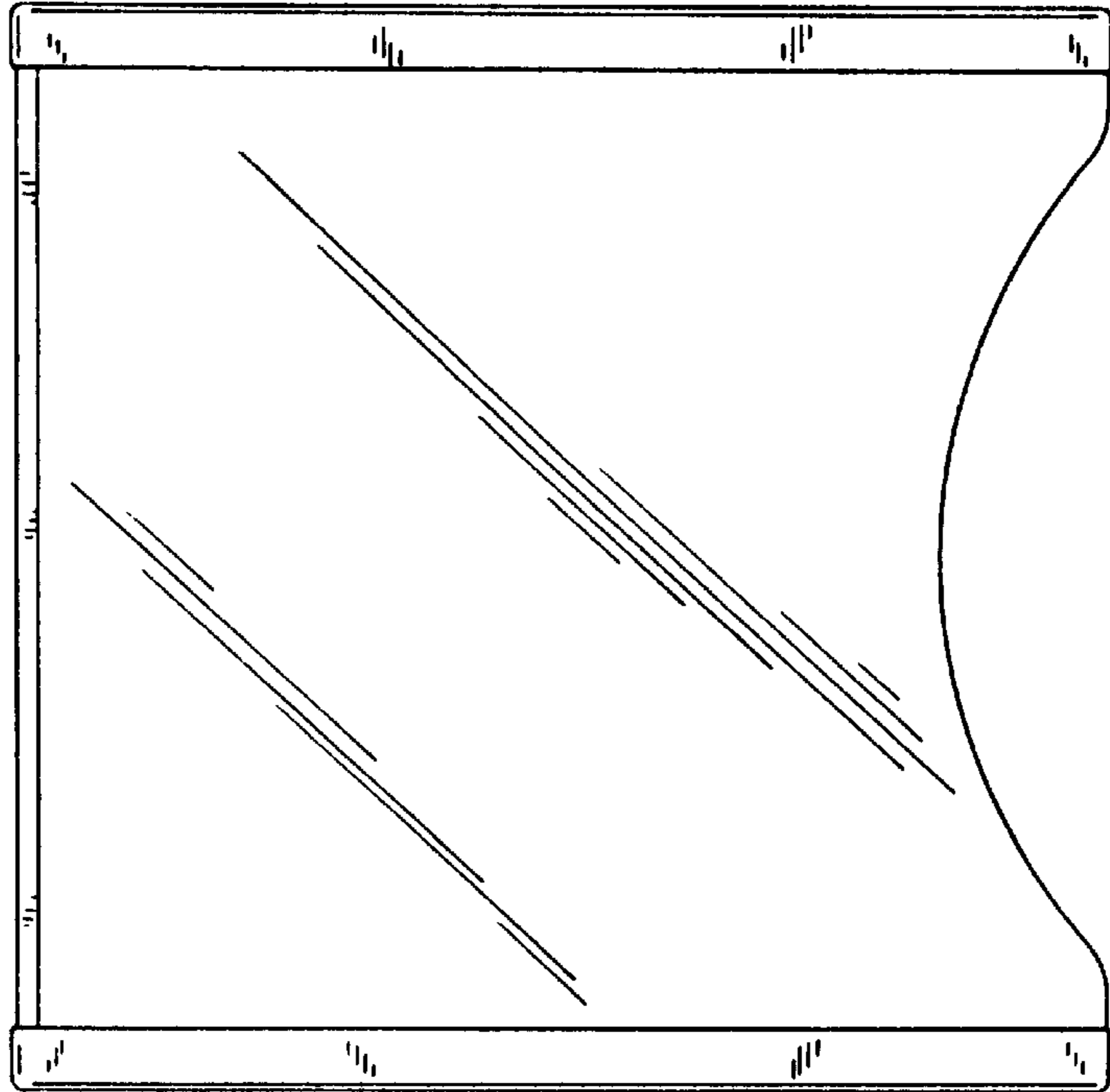


FIG. 5

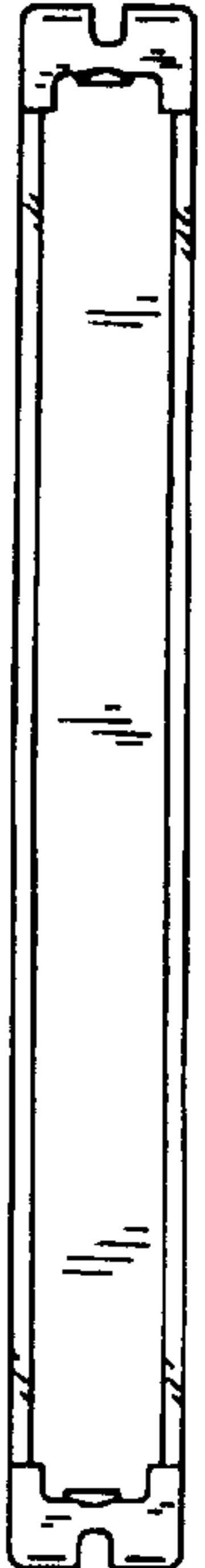


FIG. 6

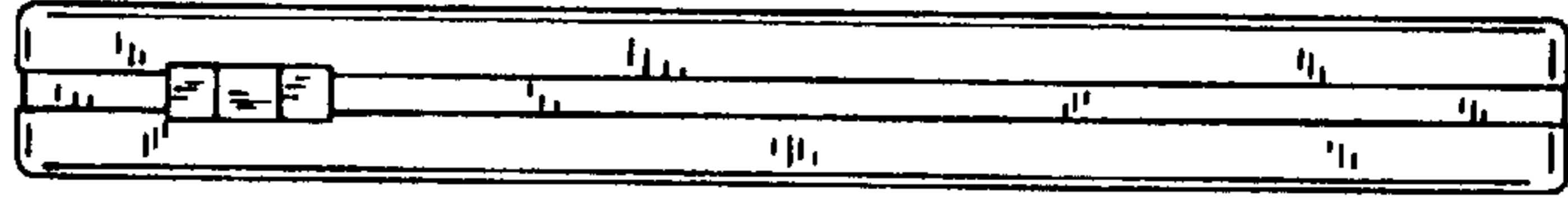


FIG. 8

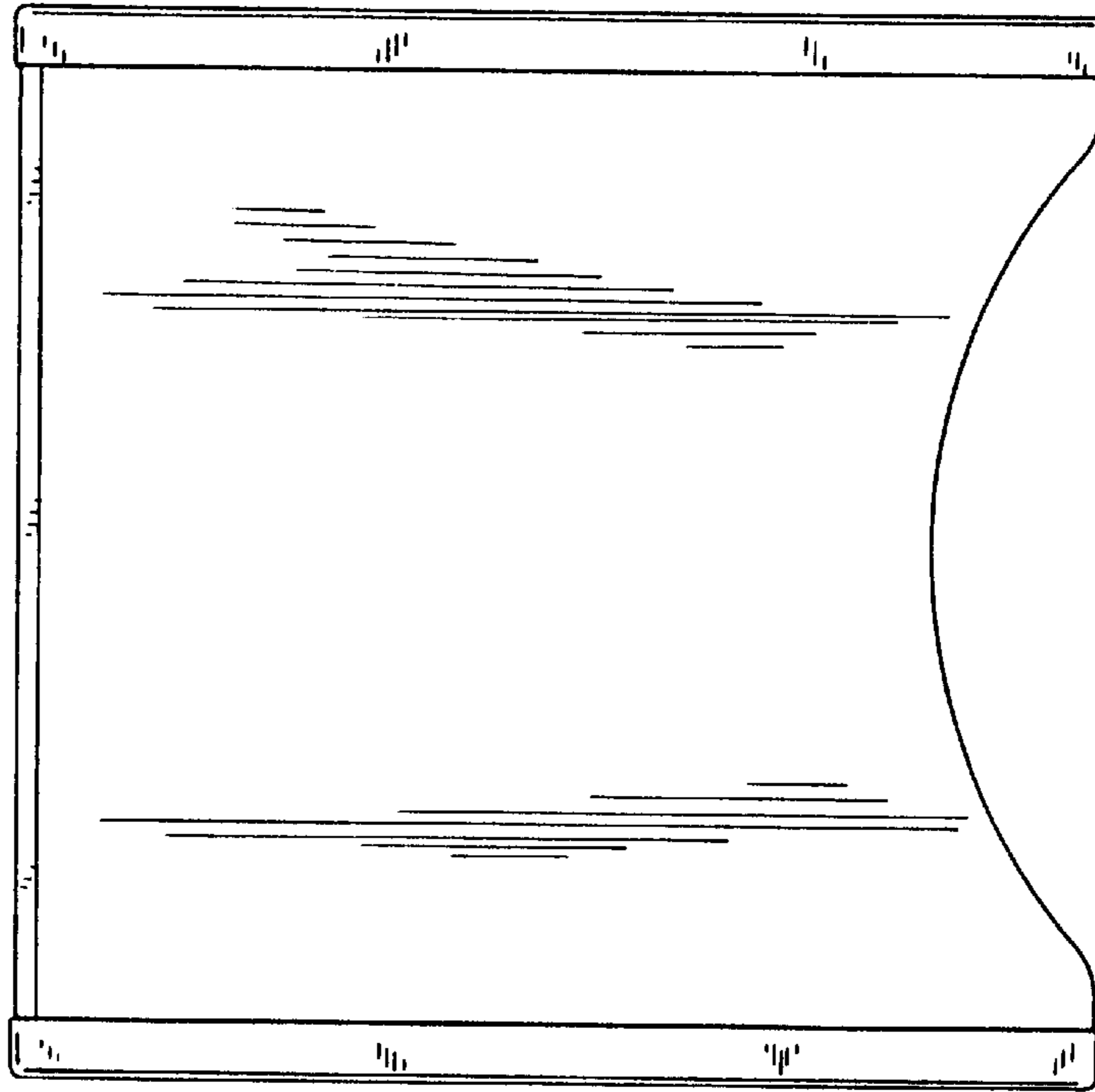


FIG. 7

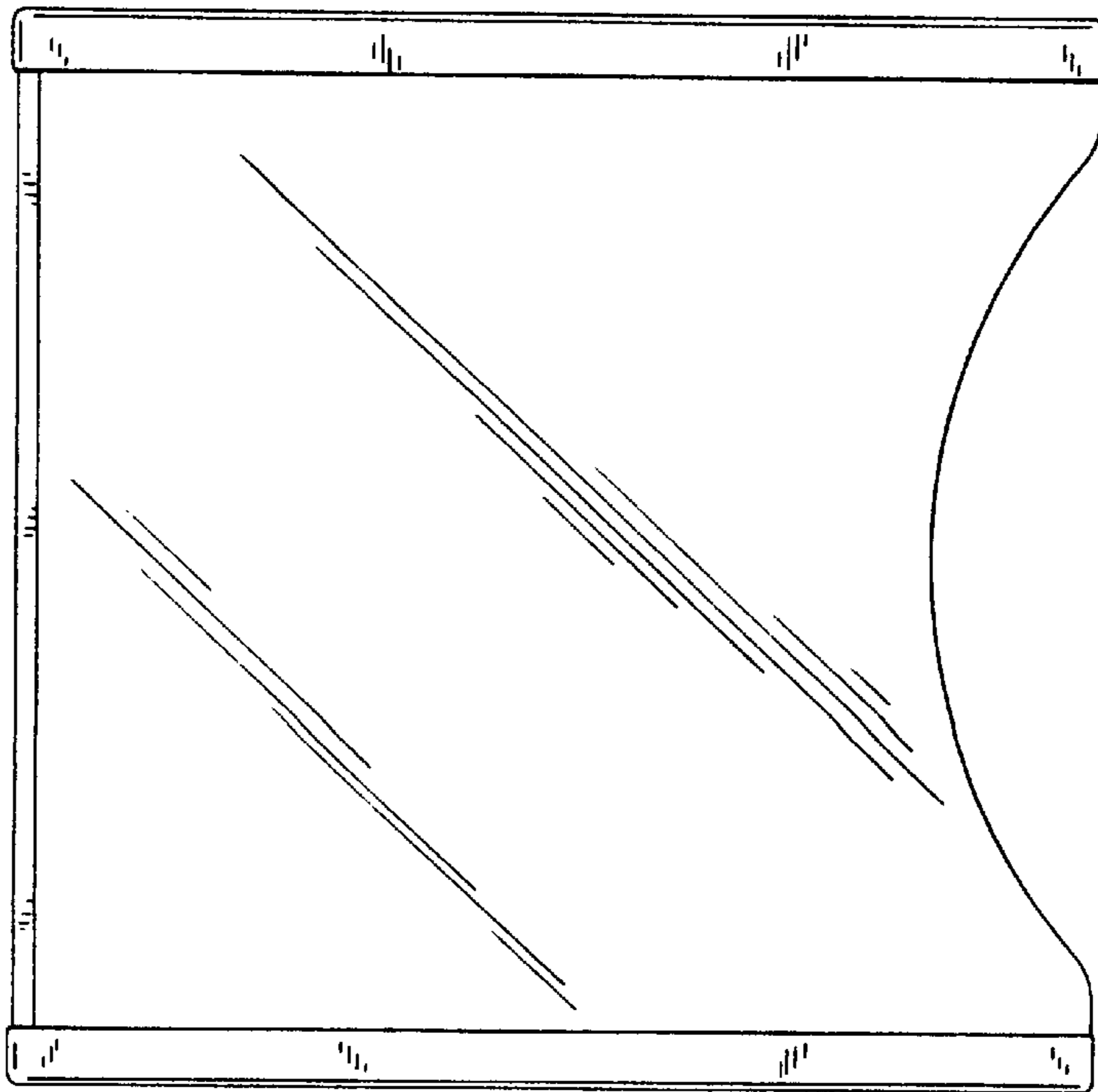


FIG. 9

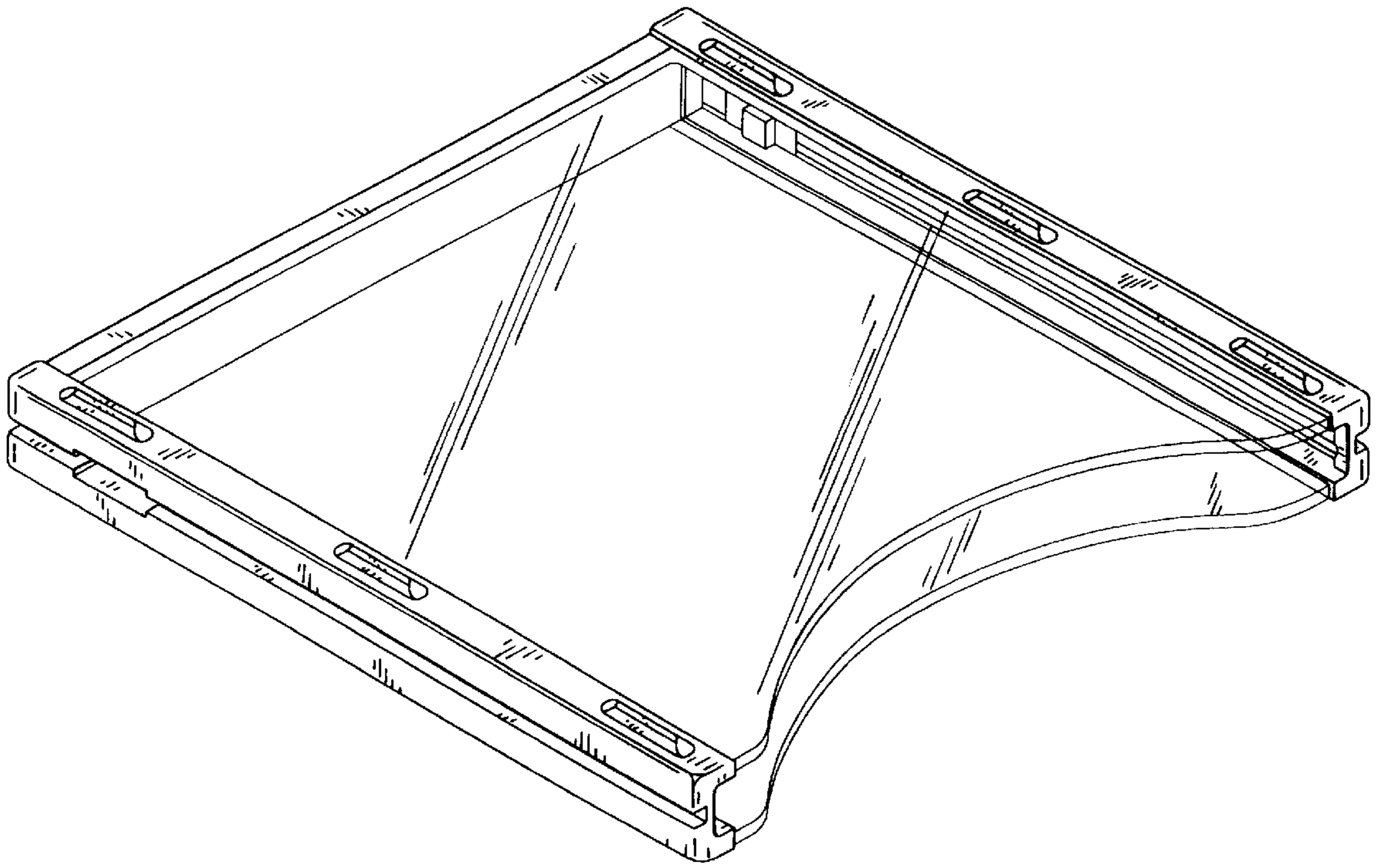


FIG. 10



FIG. 11

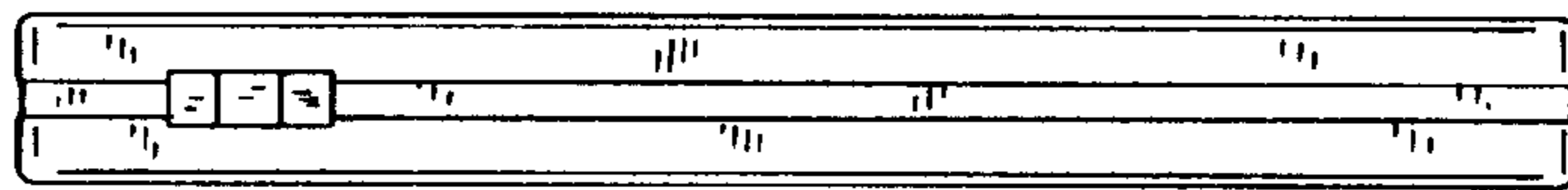


FIG. 14

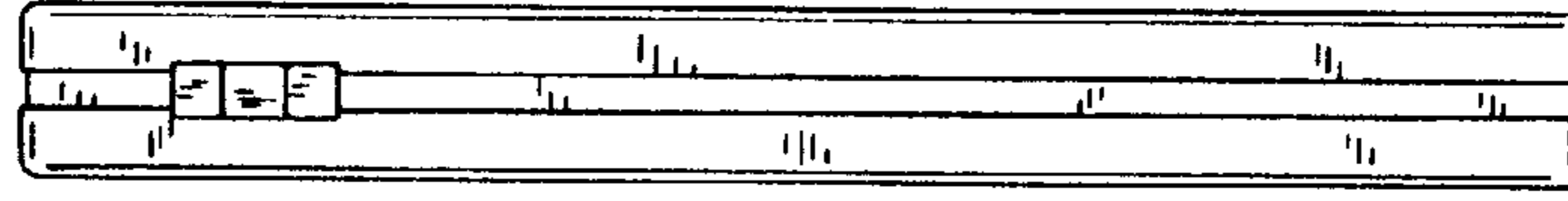


FIG. 13

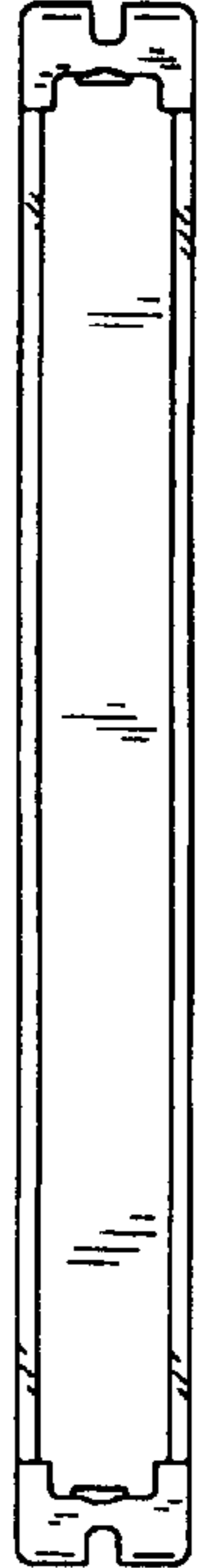


FIG. 15

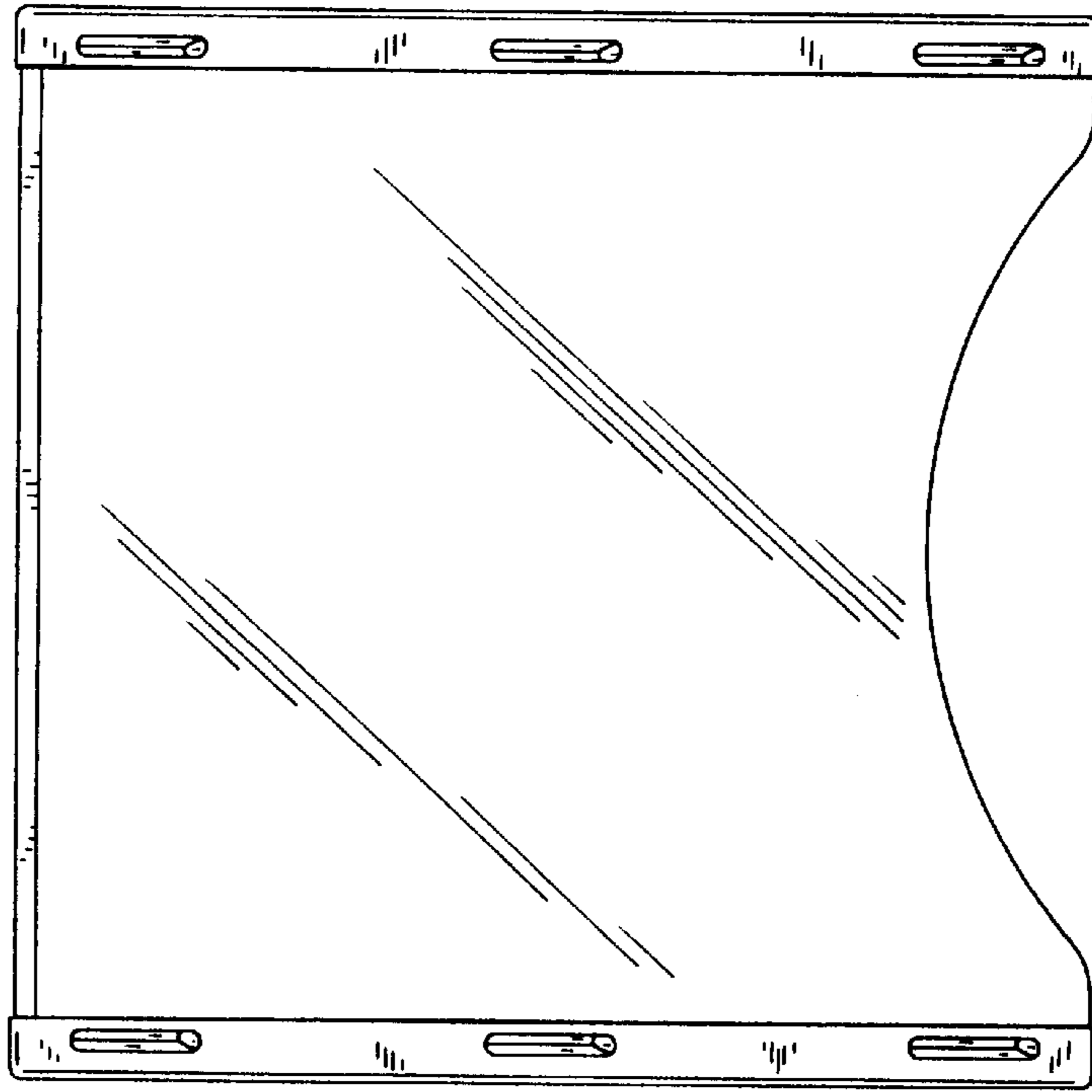


FIG. 12

