



US00D418689S

# United States Patent [19]

[11] **Patent Number: Des. 418,689**

**Royston et al.**

[45] **Date of Patent: \*\* Jan. 11, 2000**

[54] **MESSAGE TABLE**

[75] Inventors: **John H. Royston; Michael T. Salerno**, both of Santa Rosa, Calif.

[73] Assignee: **Donald Payne**, Santa Rosa, Calif.; part interest

[\*\*] Term: **14 Years**

[21] Appl. No.: **29/097,347**

[22] Filed: **Dec. 3, 1998**

[51] **LOC (7) Cl. .... 06-01**

[52] **U.S. Cl. .... D6/382; D6/480; D24/183**

[58] **Field of Search .... D6/382, 388-395, D6/480, 484; 5/27.9, 1, 280, 281, 907, 613, 620; D24/183**

[56] **References Cited**

**U.S. PATENT DOCUMENTS**

D. 200,377	2/1965	Burzclaff et al. ....	D24/183
D. 258,986	4/1981	Byrum .....	D24/183
D. 347,691	6/1994	Falbo, Sr. ....	D24/183
5,109,558	5/1992	Blasi .....	5/611

**OTHER PUBLICATIONS**

2 p. brochure, "Cosmopro First Choice", Cosmopro, Inc., Daytona Beach, FL, Fall 1997.

2 p. brochure, "Earthlite California Salon", Earthlite, Inc., Vista, CA, Jan. 1997.

2 p. brochure, "The Venetian Salon [etc.]", Golden Ratio Woodworks, Emigrant, MT, 1996 and 1998.

1 p. brochure, "The Hi Lo Table [etc.]", Blue Ridge Tables, Corinth, MS 1996.

1 p. brochure, "The Paramount Electric Lift [etc.]", Stronglite, Inc., Cottage Grove, OR, 1996.

1 p. brochure, "Performance", Oakworks, Glen Rock, PA, 1996.

2 p. brochure, "Custom Craftworks find bobywork equipment", Custom Craftworks, Eugene, OR 1996.

1 p. brochure, "TouchAmerica", TouchAmerica, Hillsborough, NC, 1997.

*Primary Examiner*—Janice E. Seeger

*Attorney, Agent, or Firm*—David Pressman

[57] **CLAIM**

The ornamental design for a massage table, as shown and described.

**DESCRIPTION**

FIG. 1 is a top perspective view of a massage table according to my invention.

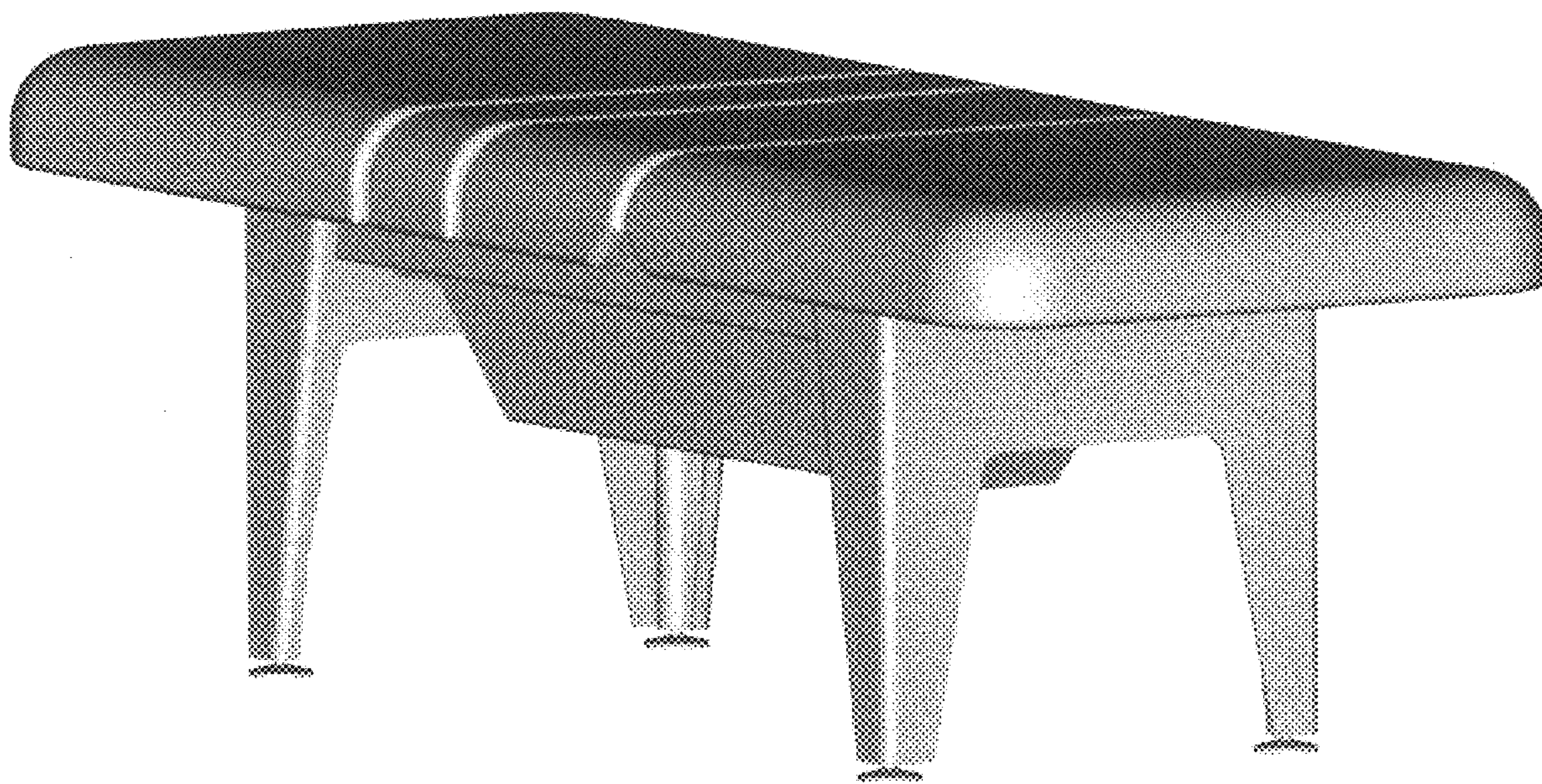
FIG. 2 is a front-side, part-perspective view from below of the massage table. The rear side is symmetrical.

FIG. 3 is a bottom perspective view of the front side of the massage table. The rear side is symmetrical.

FIG. 4 is an elevational view taken from the foot end and front side the massage table. The rear side is symmetrical, and,

FIG. 5 is a head end, part-perspective view from below and to the front side of the massage table. The rear side is symmetrical.

**1 Claim, 5 Drawing Sheets**





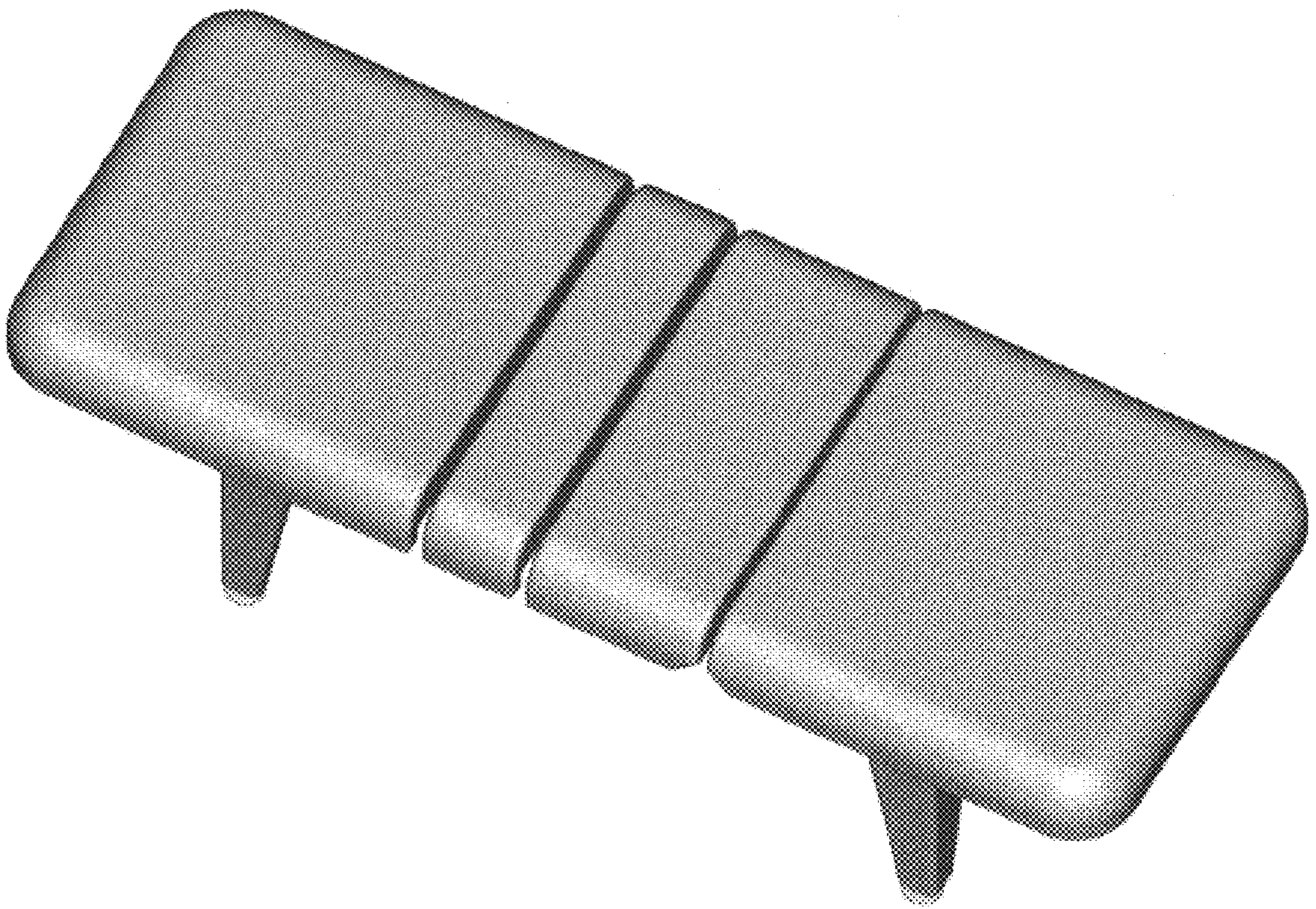


Figure 1



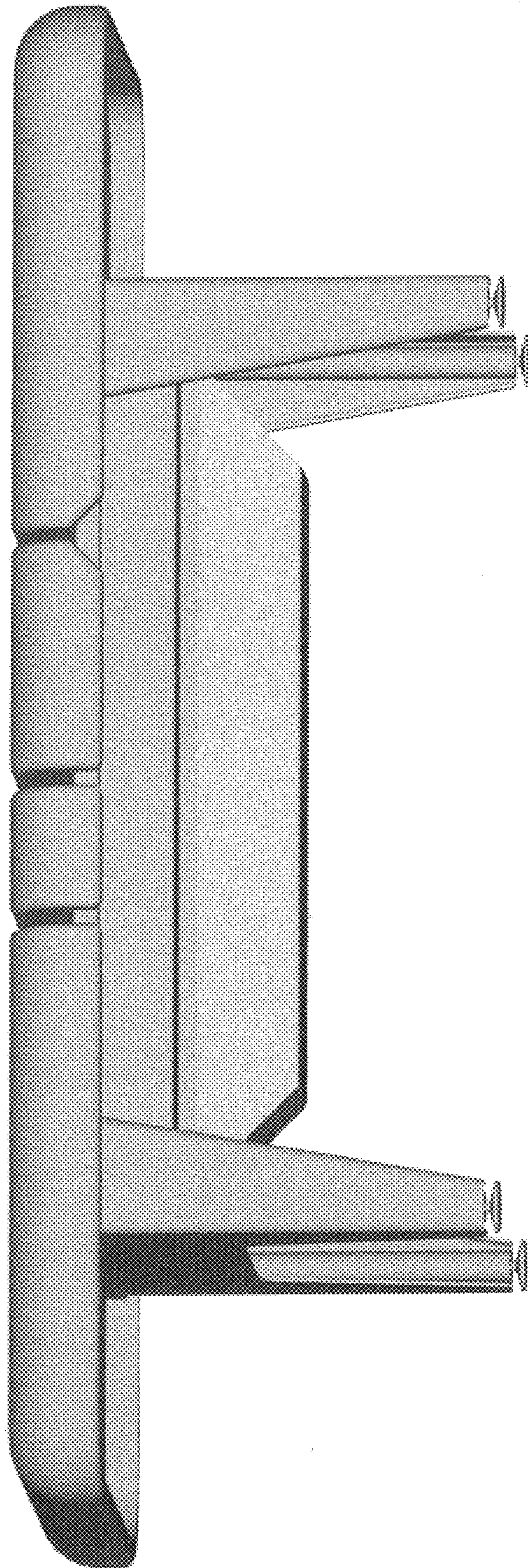


Fig 2



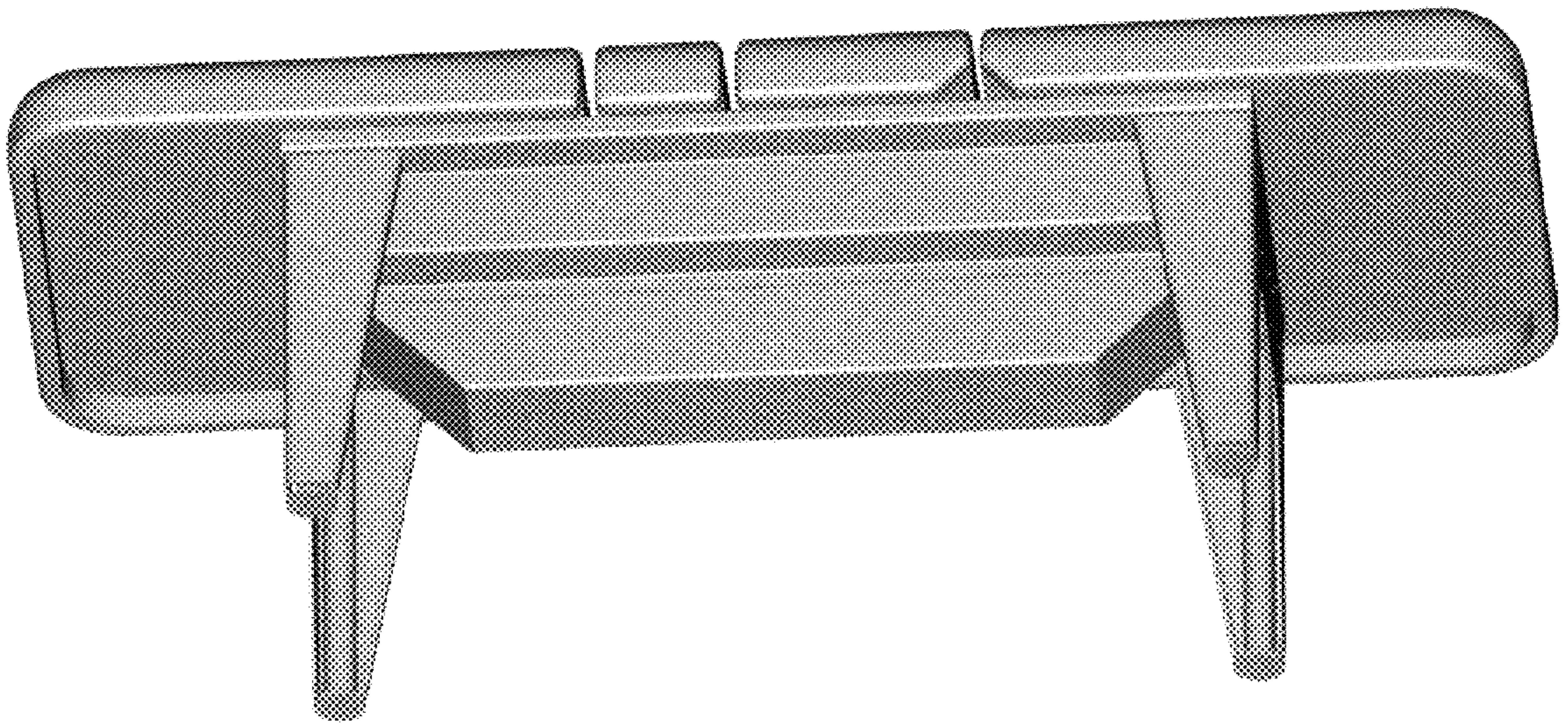


Figure 3

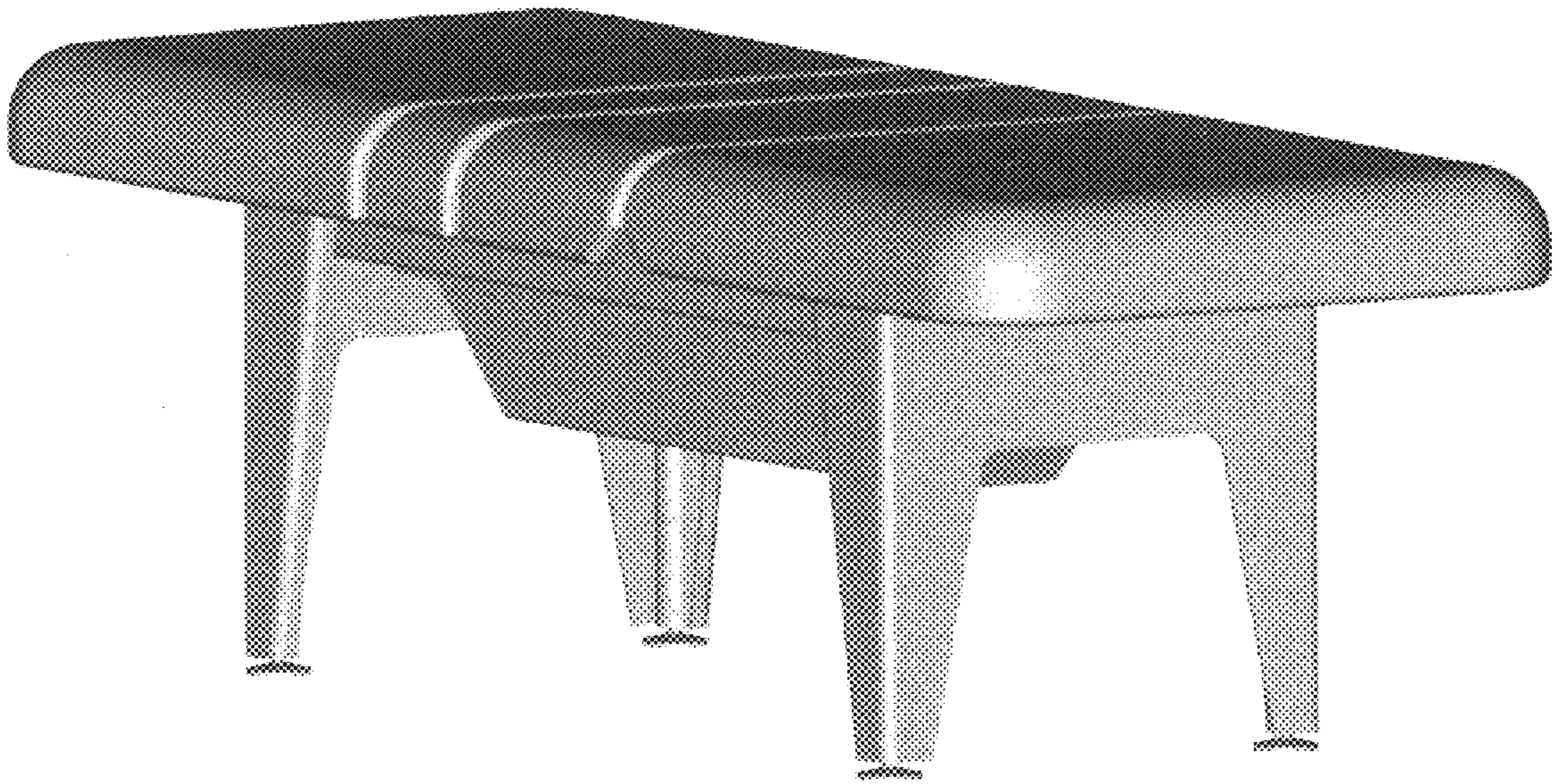


Figure 4



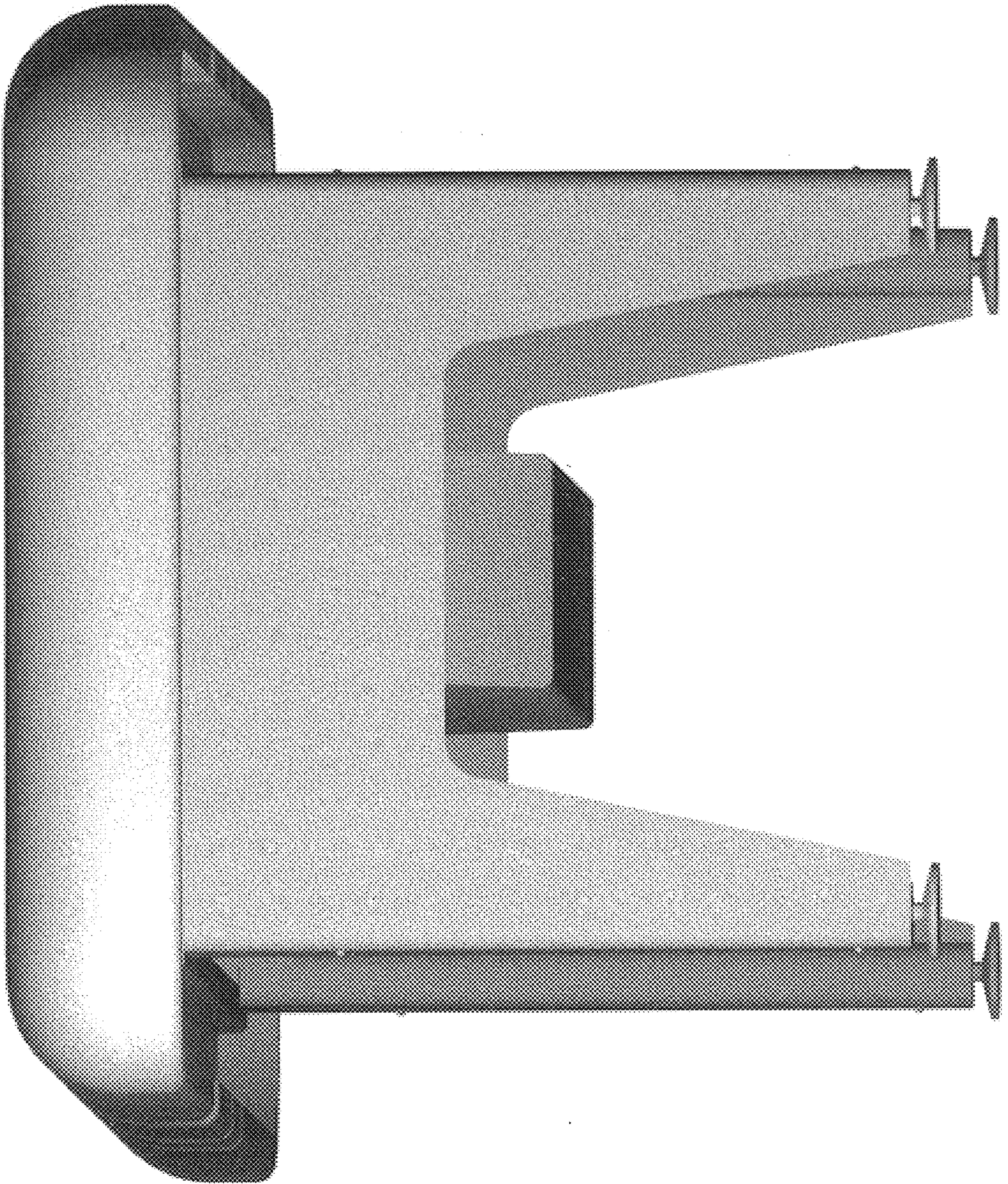


Fig 5