



US00D418686S

**United States Patent** [19]  
**Smith et al.**

[11] **Patent Number: Des. 418,686**  
[45] **Date of Patent: \*\* Jan. 11, 2000**

[54] **COMBINED OUTER CHAIR FRAME WITH ARMRESTS AND A FOOTREST**

[75] Inventors: **Neil Smith**, Hanover; **Ron Webb**, Red Lion, both of Pa.

[73] Assignee: **Reliance Medical Prodcuts, Inc.**, Mason, Ohio

[\*\*] Term: **14 Years**

[21] Appl. No.: **29/095,482**

[22] Filed: **Oct. 23, 1998**

**Related U.S. Application Data**

[62] Division of application No. 29/078,440, Oct. 24, 1997.

[51] **LOC (7) Cl.** ..... **06-01**

[52] **U.S. Cl.** ..... **D6/367**

[58] **Field of Search** ..... D6/334, 360, 363, D6/364, 365, 367, 368, 374, 375, 379, 500, 501, 502; 297/182, 188.01, 217.1, 391, 68

[56] **References Cited**

**U.S. PATENT DOCUMENTS**

D. 268,149	3/1983	Case	.....	D6/365
D. 300,657	4/1989	Simpkins et al.	.....	D6/360
D. 333,736	3/1993	Nordstrom	.....	D6/360
D. 354,176	1/1995	Schwaegerle et al.	.....	D6/360
D. 354,177	1/1995	Schwaegerle et al.	.....	D6/367
D. 361,438	8/1995	Spencer et al.	.....	D6/367
D. 379,409	5/1997	Schwaegerle et al.	.....	D6/367
2,874,689	2/1959	Gavelek	.....	128/33
3,198,574	8/1965	Sadayasu Ota et al.	.....	297/329
3,299,886	1/1967	Mikan	.....	128/71
3,414,324	12/1968	Taylor et al.	.....	297/68
3,578,379	5/1971	Taylor et al.	.....	297/71
3,999,799	12/1976	Daswick	.....	297/270
4,415,203	11/1983	Cawley	.....	297/391
4,505,514	3/1985	Stöckl et al.	.....	297/322
4,852,941	8/1989	Jones	.....	297/188.01
4,941,709	7/1990	Möller	.....	297/325
4,957,302	9/1990	Maxwell	.....	280/32.6
5,348,375	9/1994	Steininger	.....	297/362.11

5,461,965	10/1995	Schwaegerle	.....	91/408
5,467,002	11/1995	Brooks	.....	318/553
5,624,159	4/1997	Celoni et al.	.....	297/325
5,628,546	5/1997	Boetzkes	.....	297/316

**FOREIGN PATENT DOCUMENTS**

3110111 3/1981 Germany .

**OTHER PUBLICATIONS**

Reliance Medical Products, Inc., *Introducing the premier package for RK surgery*, Brochure.

Reliance Medical Products, Inc., *Surgical Package*, Brochure, 1993.

Reliance Medical Products, Inc., *800, Fully powered hydraulic examination chair/procedures table*, Brochure, 1995.

Reliance Medical Products, Inc., *7100, Fully powered, minor procedures table*, Brochure, 1994.

Reliance Medical Products, Inc., *7000, Fully powered hydraulic examination chair/minor procedures table*, Brochure, 1993.

*Primary Examiner*—Doris V. Coles

*Assistant Examiner*—Mimosa De

*Attorney, Agent, or Firm*—Wood, Herron & Evans, L.L.P.

[57] **CLAIM**

The ornamental design for combined outer chair frame with armrests and a footrest, as shown and described.

**DESCRIPTION**

FIG. 1 is a perspective view of the combined outer chair frame with armrests and a footrest.

FIG. 2 is a top elevational view thereof;

FIG. 3 is a right side view thereof with the left side being a mirror image of the right side;

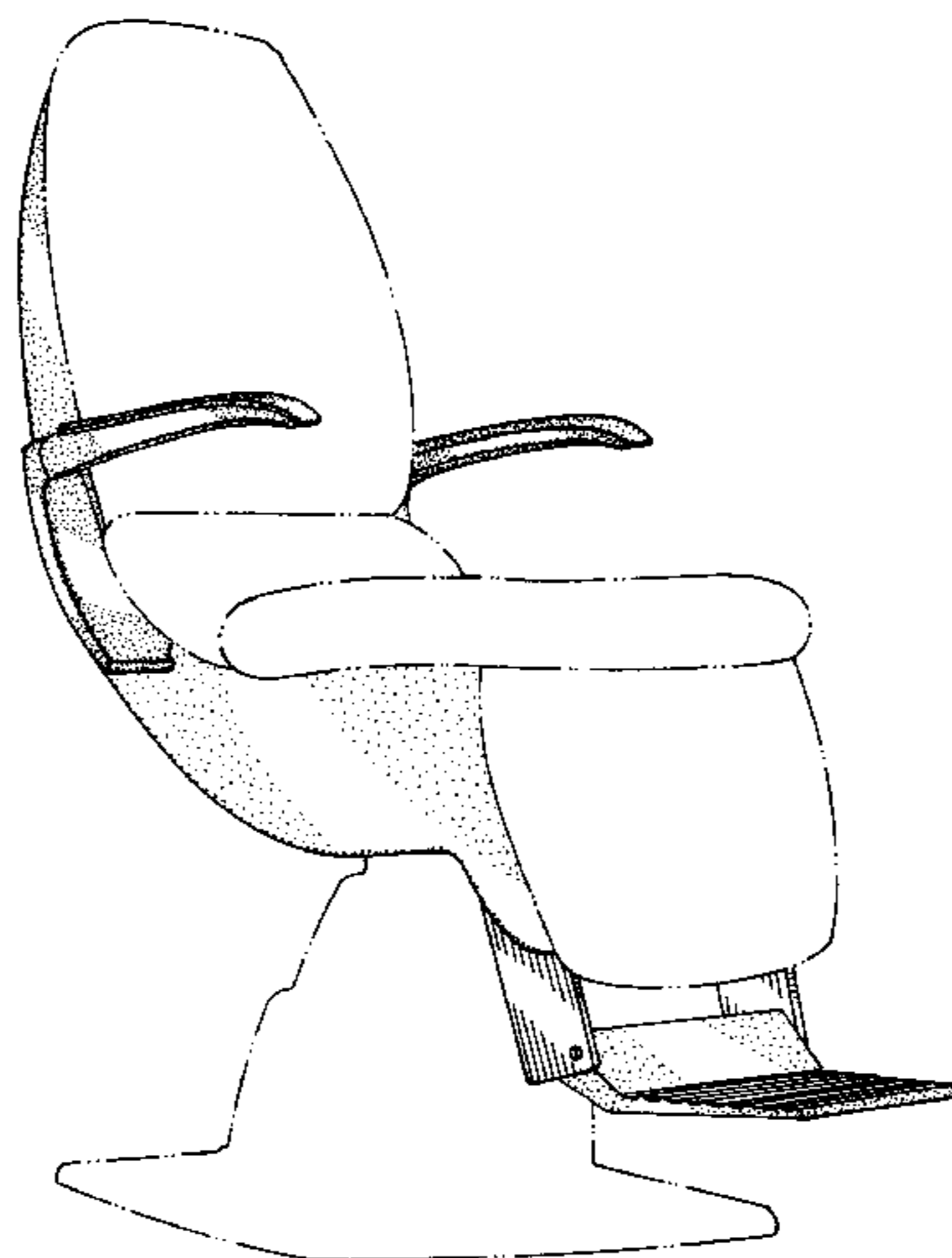
FIG. 4 is a front elevational view thereof;

FIG. 5 is a rear view thereof; and,

FIG. 6 is a bottom view thereof.

The broken line showing of the base, seat, and backrest is for illustrative purposes only and forms no part of the claimed design.

**1 Claim, 3 Drawing Sheets**



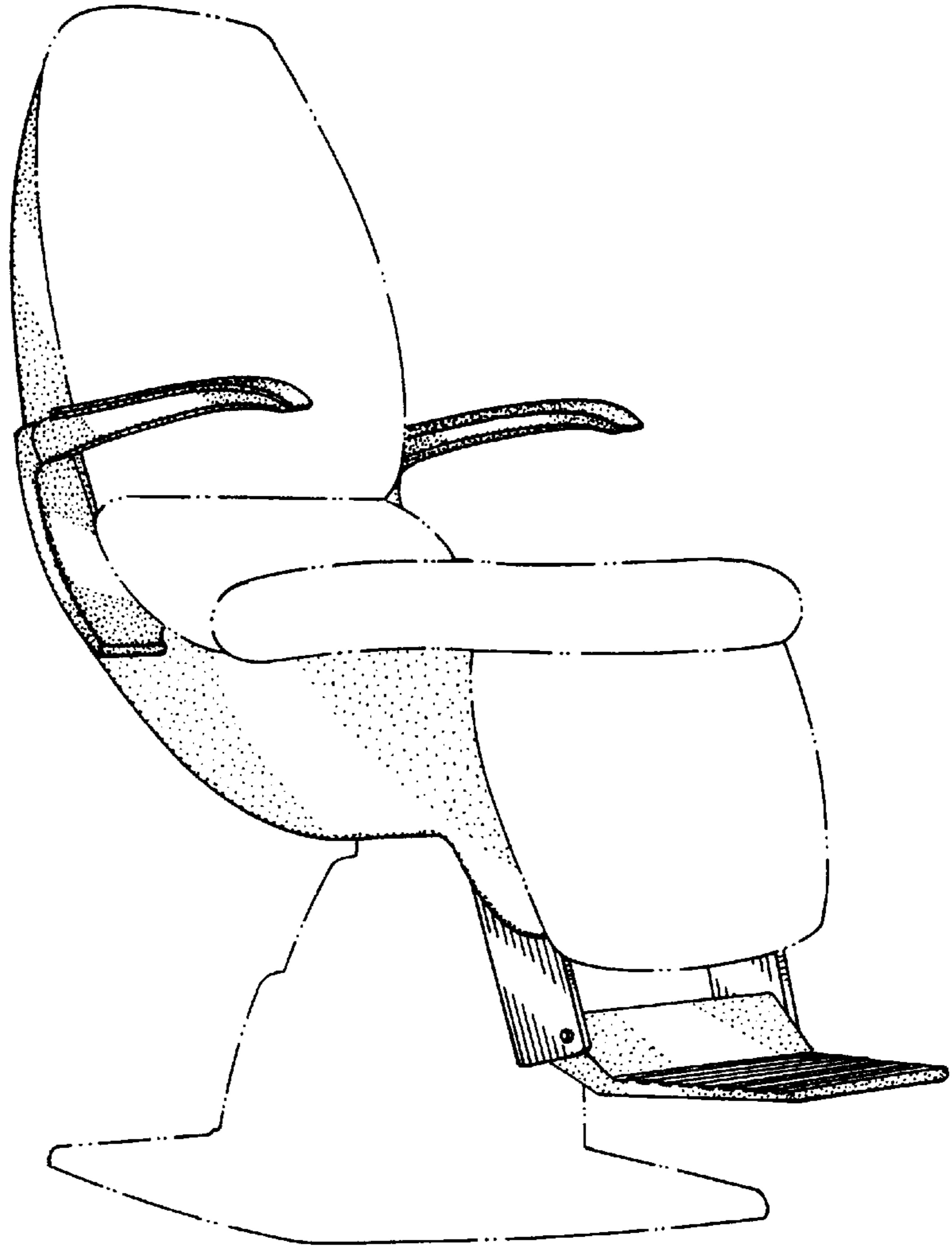


FIG. 1

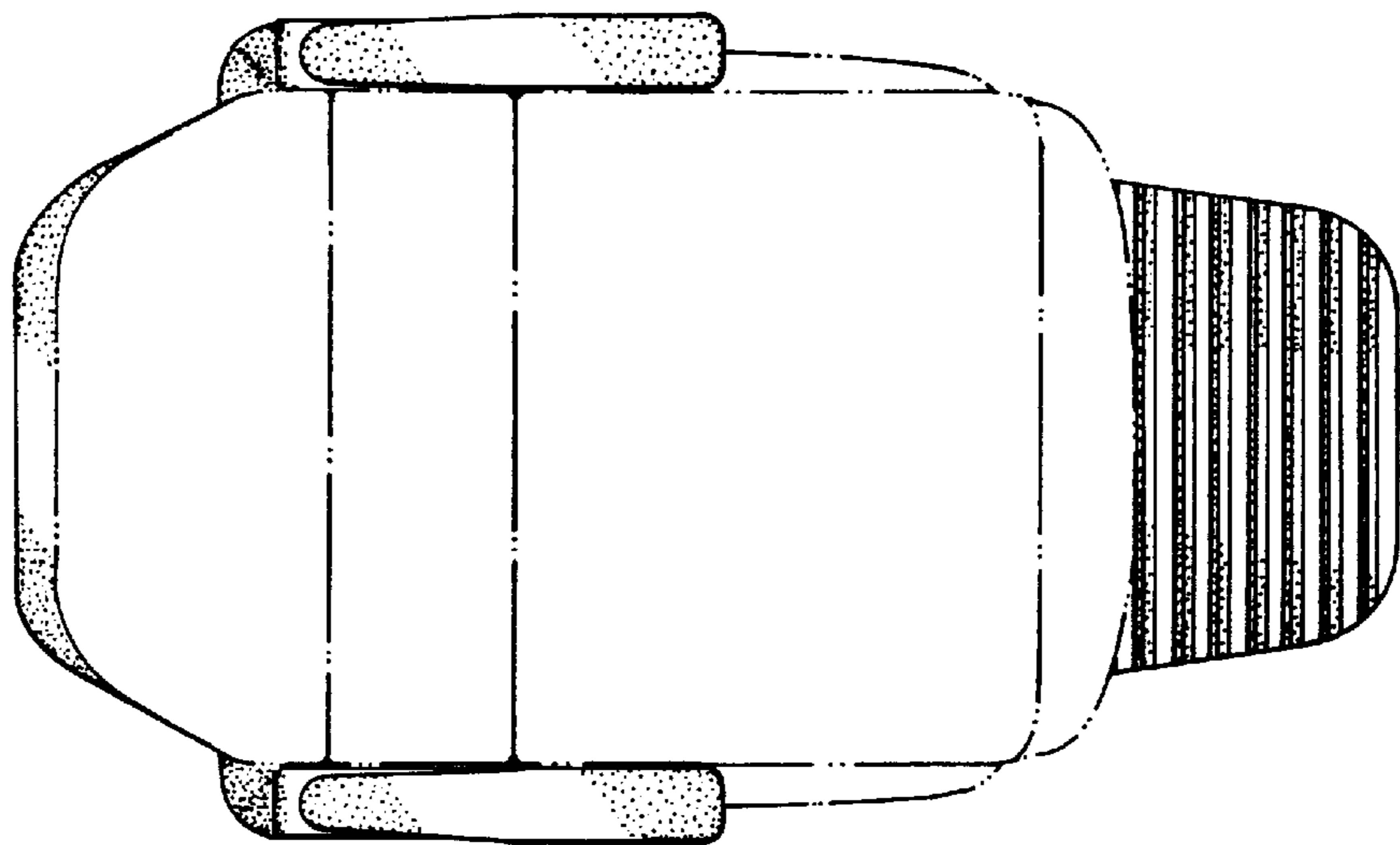


FIG. 2

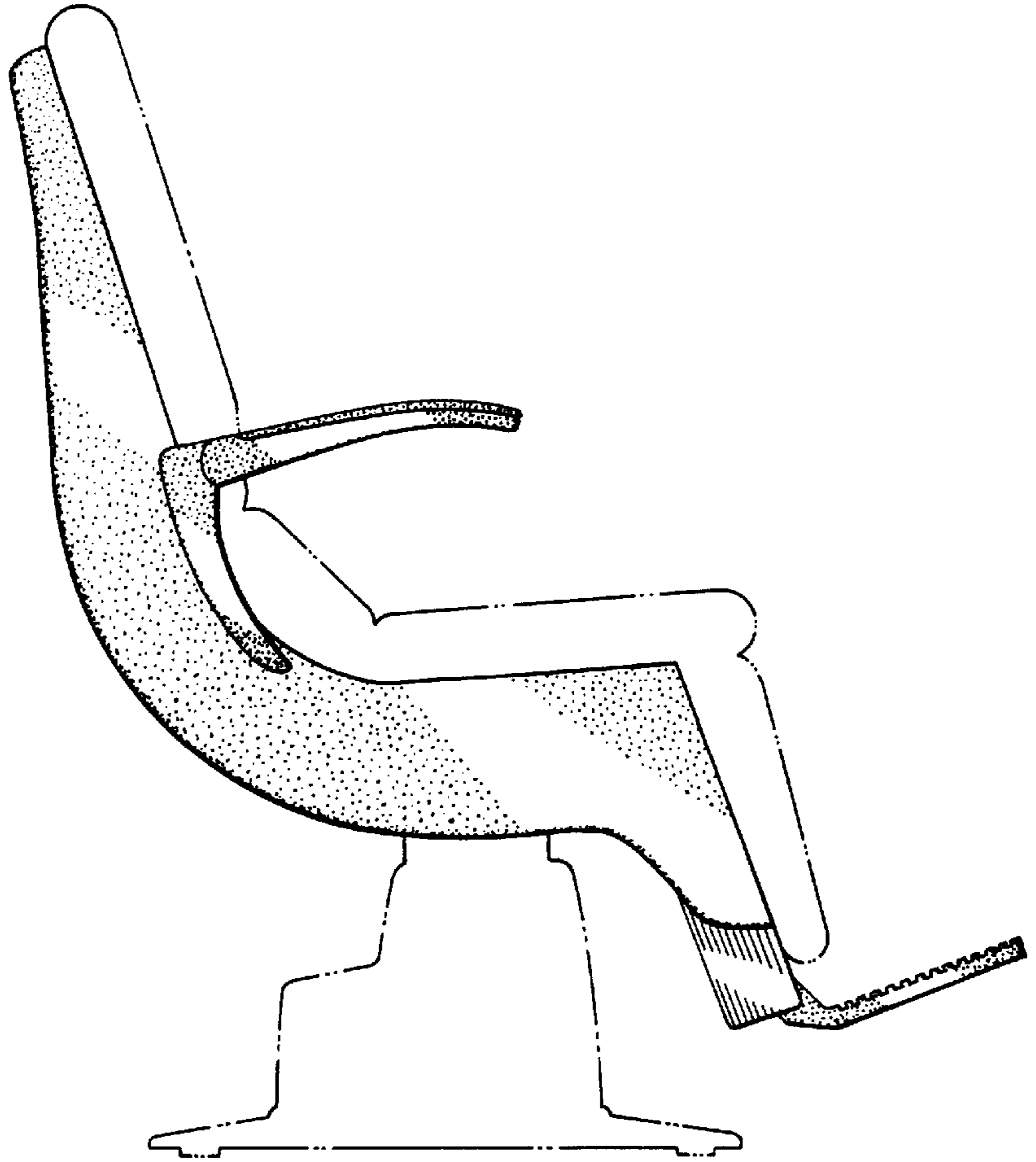


FIG. 3

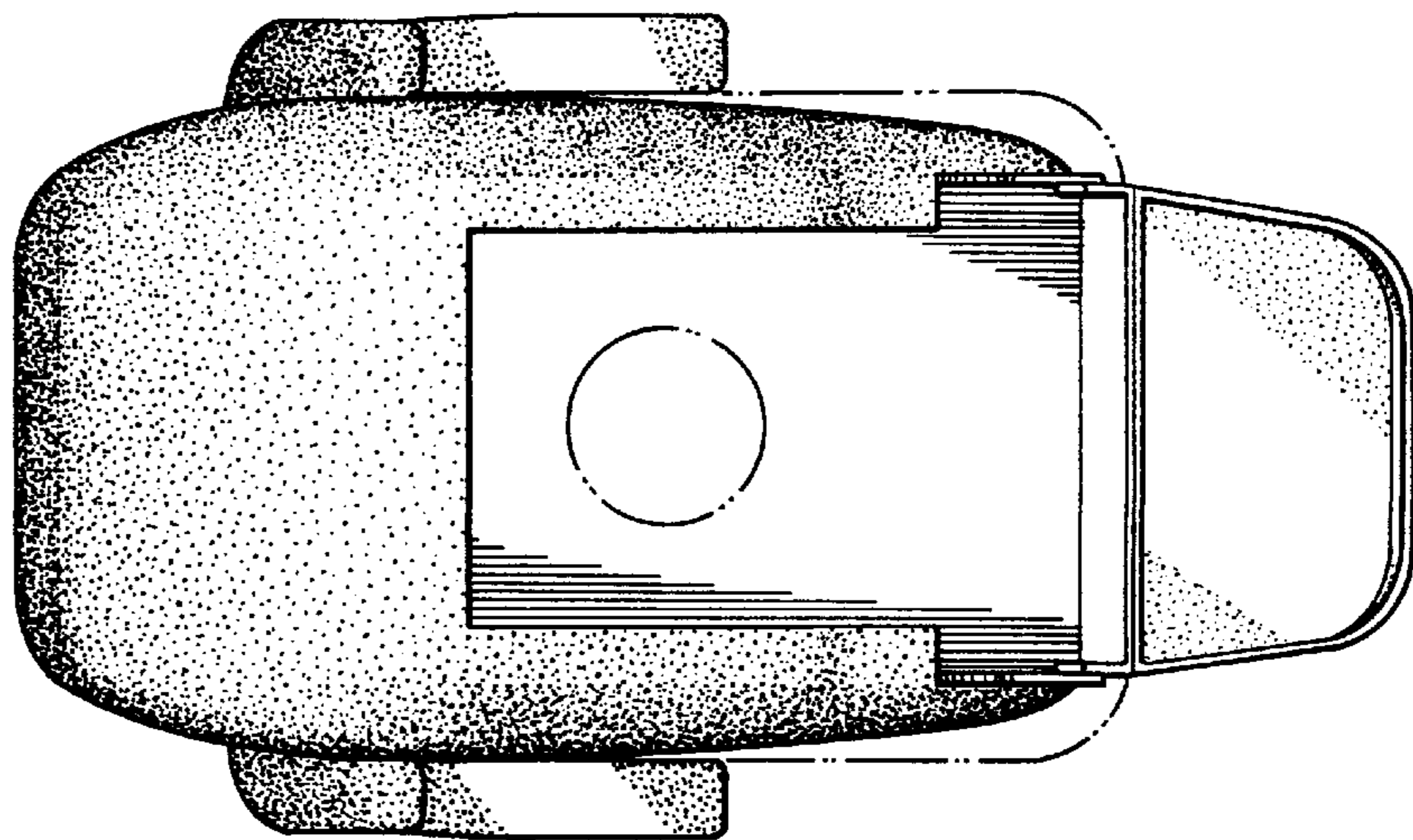


FIG. 6

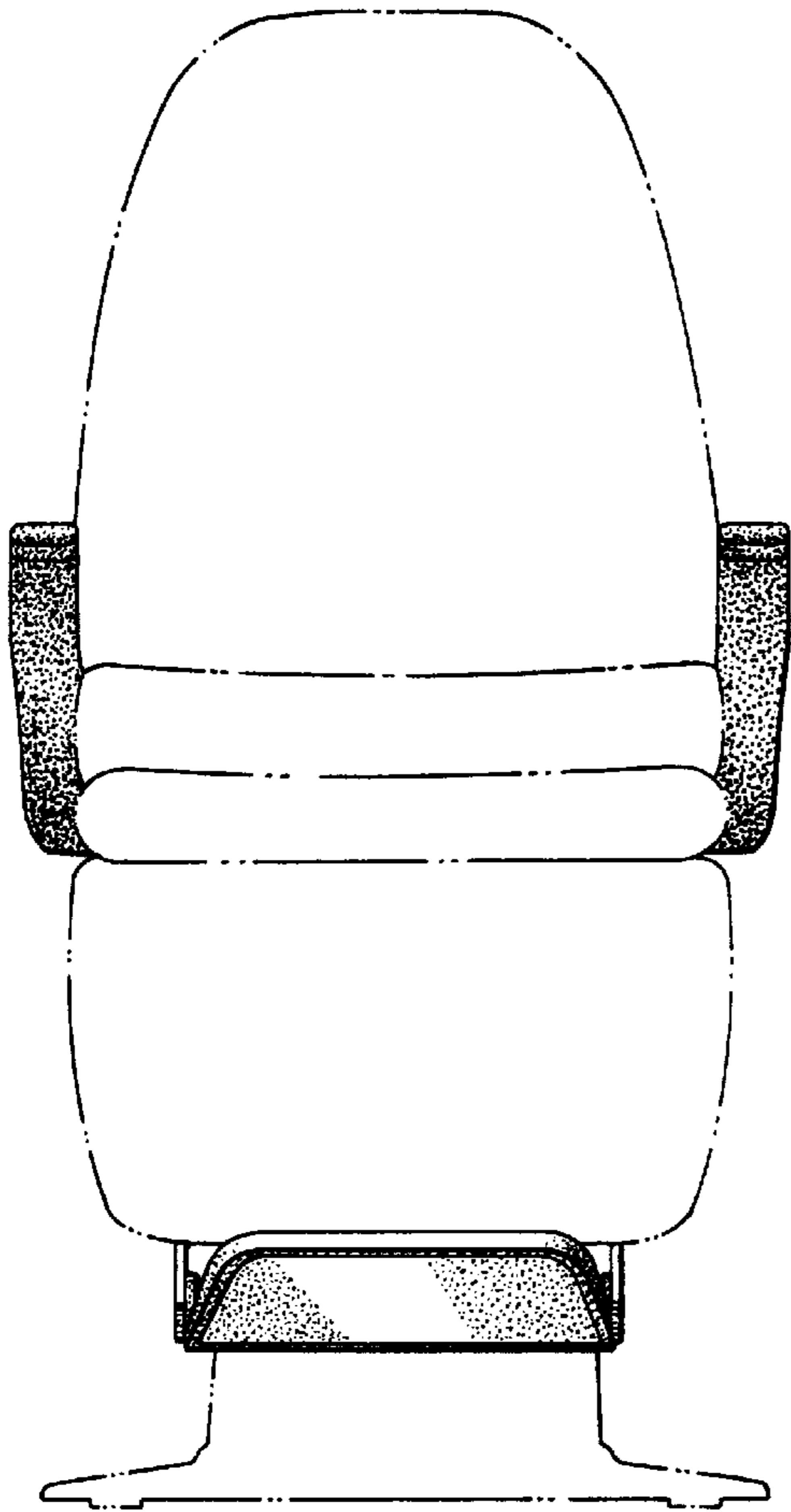


FIG. 4

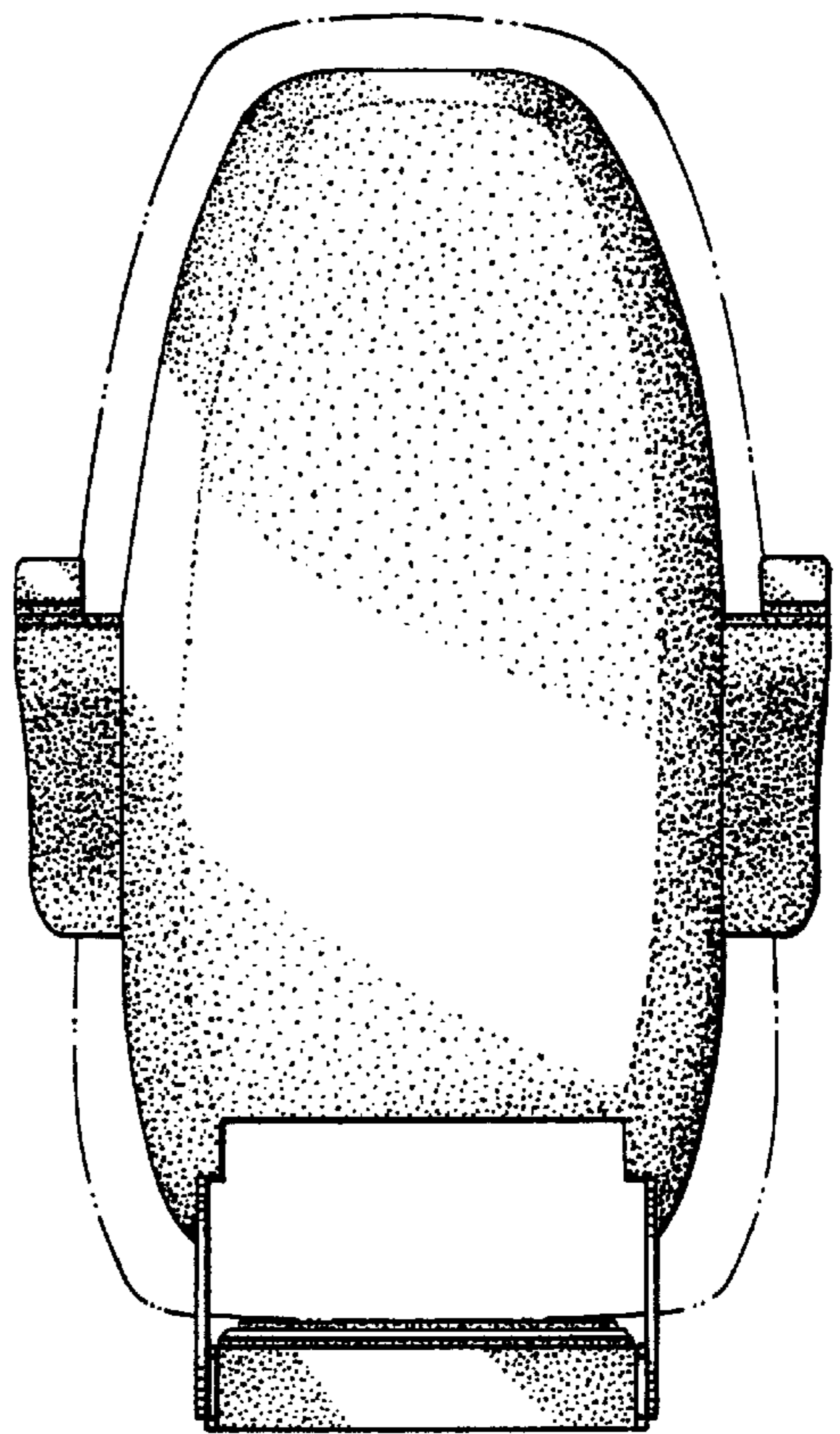


FIG. 5